



US00D568987S

(12) **United States Design Patent**  
**Adams**

(10) **Patent No.:** **US D568,987 S**

(45) **Date of Patent:** **\*\* May 13, 2008**

(54) **TRACHEAL COLLAR WITH  
NON-METALLIC FASTENERS**

(76) Inventor: **Marcina Adams**, 2150 W. Adams St.,  
Chicago, IL (US) 60612

(\*\*) Term: **14 Years**

(21) Appl. No.: **29/288,614**

(22) Filed: **Jun. 18, 2007**

(51) **LOC (8) Cl.** ..... **29-02**

(52) **U.S. Cl.** ..... **D24/110.4; D24/110.1**

(58) **Field of Classification Search** ..... D24/110,  
D24/110.1, 110.4; 128/207.11, 207.13, 207.14,  
128/207.15, 204.12, 206.18, 206.28, 206.24,  
128/206.21, 205.25, 200.26

See application file for complete search history.

(56) **References Cited**

**U.S. PATENT DOCUMENTS**

D143,781	S *	2/1946	Yant	.....	D24/110.4
3,330,273	A *	7/1967	Bennett	.....	128/206.26
D305,166	S *	12/1989	Quinn et al.	.....	D24/110.4
D317,503	S *	6/1991	Idowu et al.	.....	D24/115
5,257,620	A *	11/1993	Schermerhorn	.....	128/200.26

5,660,174	A *	8/1997	Jacobelli	.....	128/206.24
D442,276	S *	5/2001	Geist	.....	D24/110.4
6,357,066	B1	3/2002	Pierce		
6,659,102	B1	12/2003	Sico		
6,851,428	B2	2/2005	Dennis		
2007/0144527	A1 *	6/2007	Wilson et al.	.....	128/207.17

\* cited by examiner

*Primary Examiner*—Ian Simmons

*Assistant Examiner*—Christopher Lee

(57) **CLAIM**

The ornamental design for a tracheal collar with non-metallic fasteners, as shown and described.

**DESCRIPTION**

FIG. 1 is a perspective view of a tracheal collar with non-metallic fasteners showing my new design;

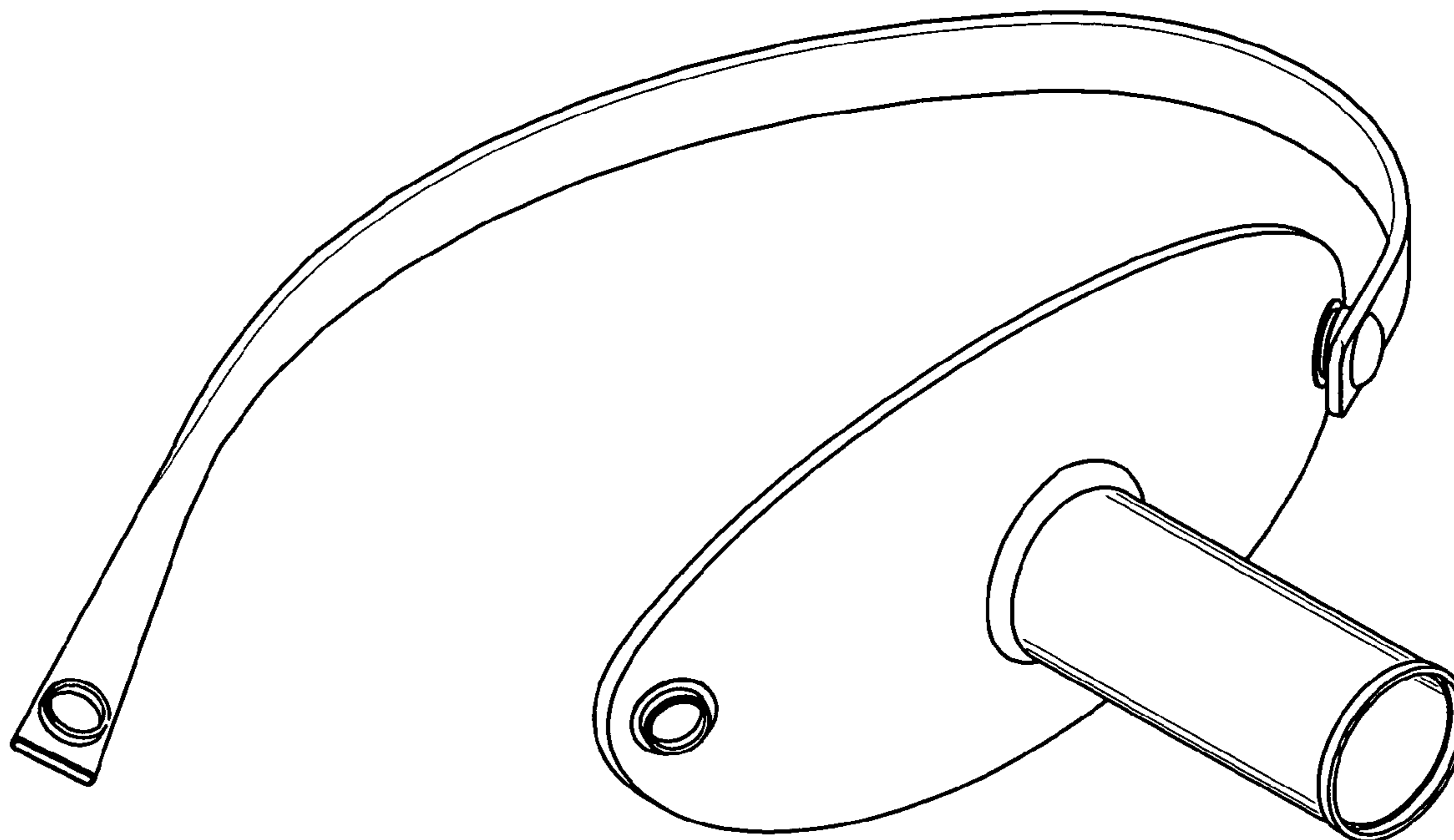
FIG. 2 is a top plan view thereof;

FIG. 3 is a side elevational view thereof;

FIG. 4 is a rear elevational thereof; and,

FIG. 5 is a front elevational view thereof.

**1 Claim, 5 Drawing Sheets**



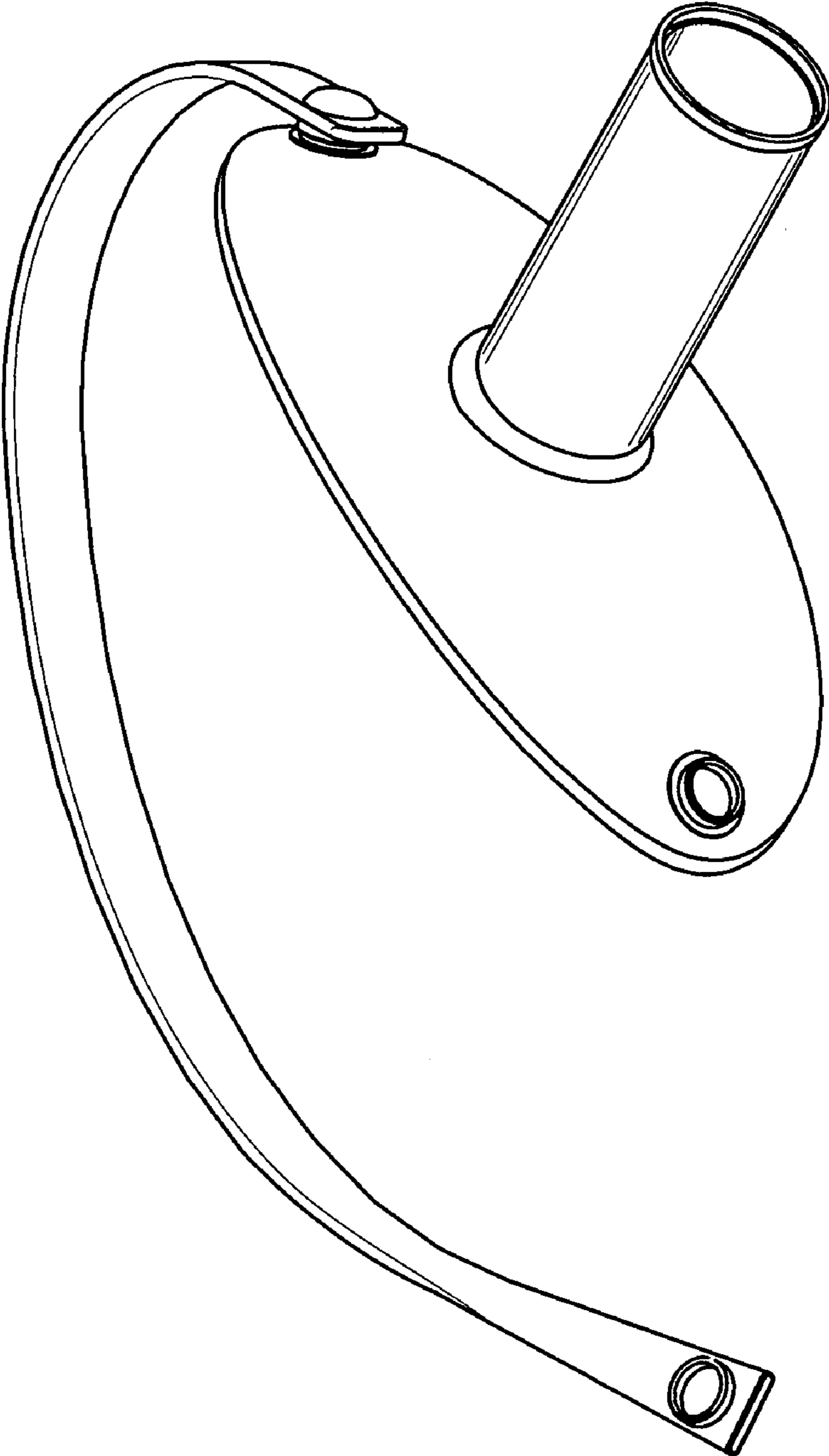


FIG. 1

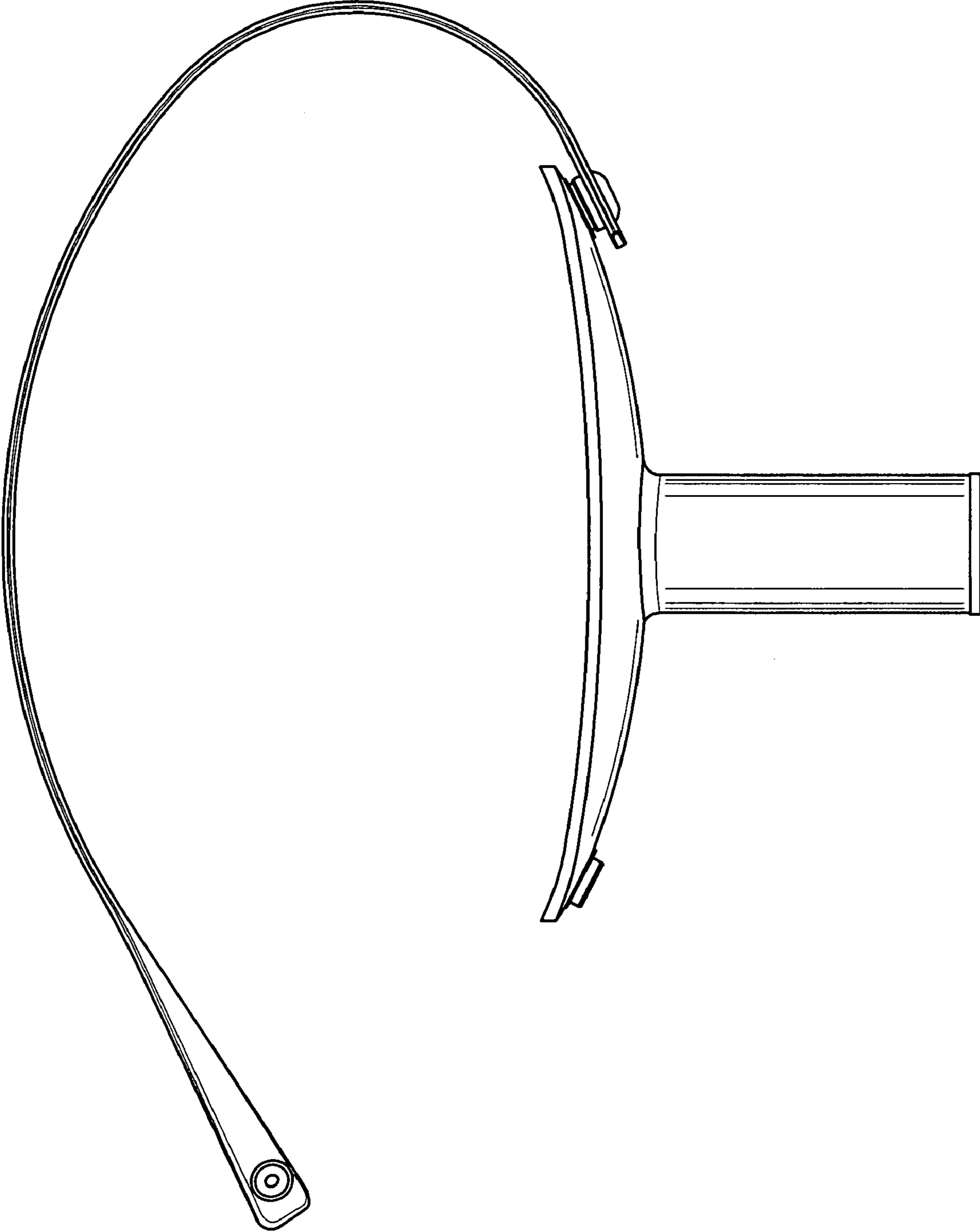


FIG. 2

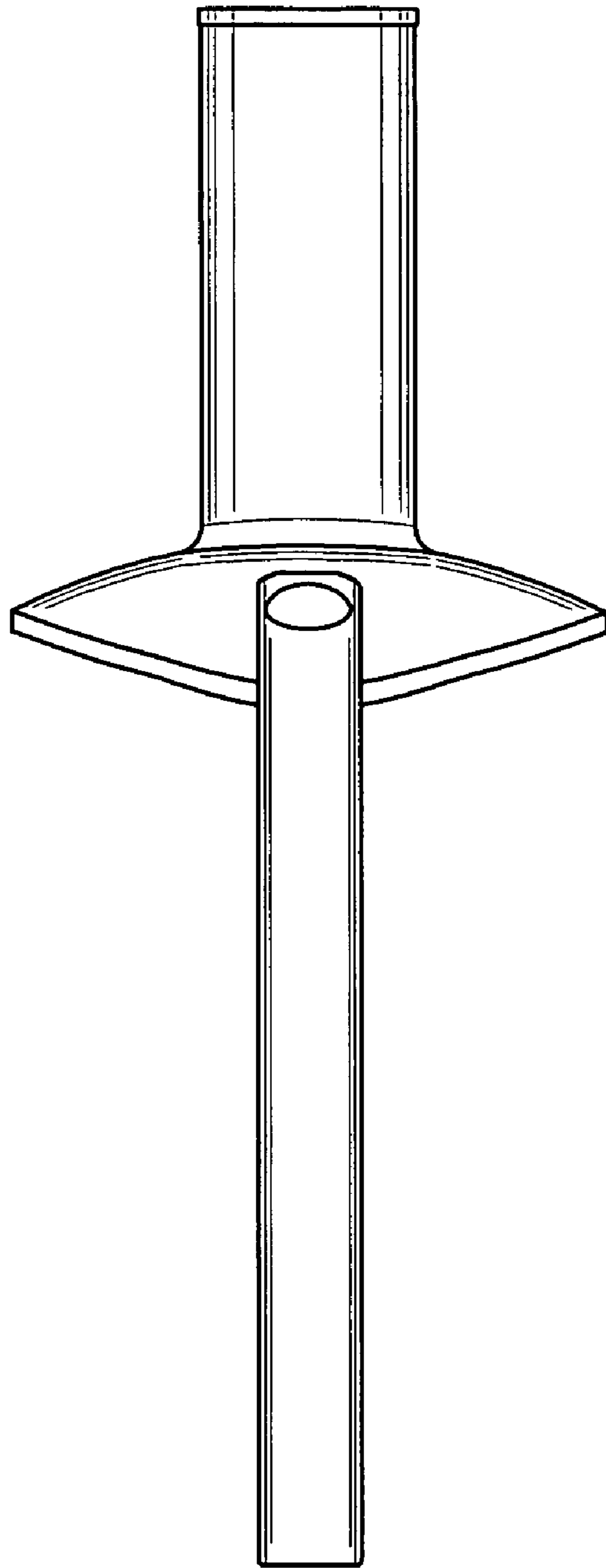


FIG. 3

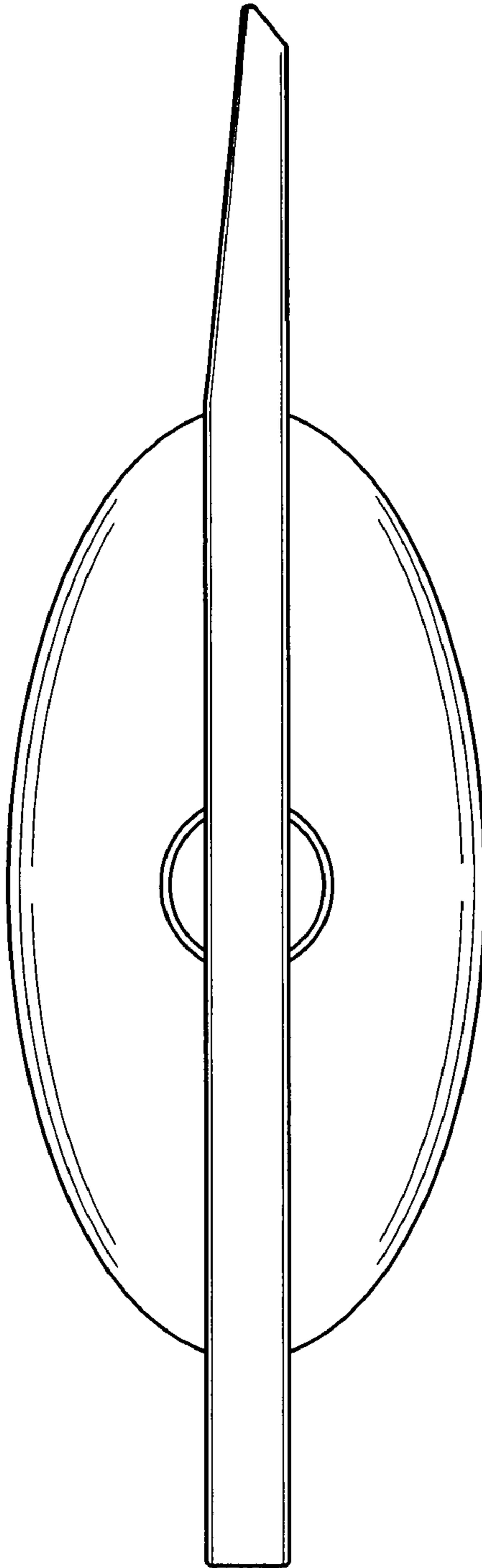


FIG. 4

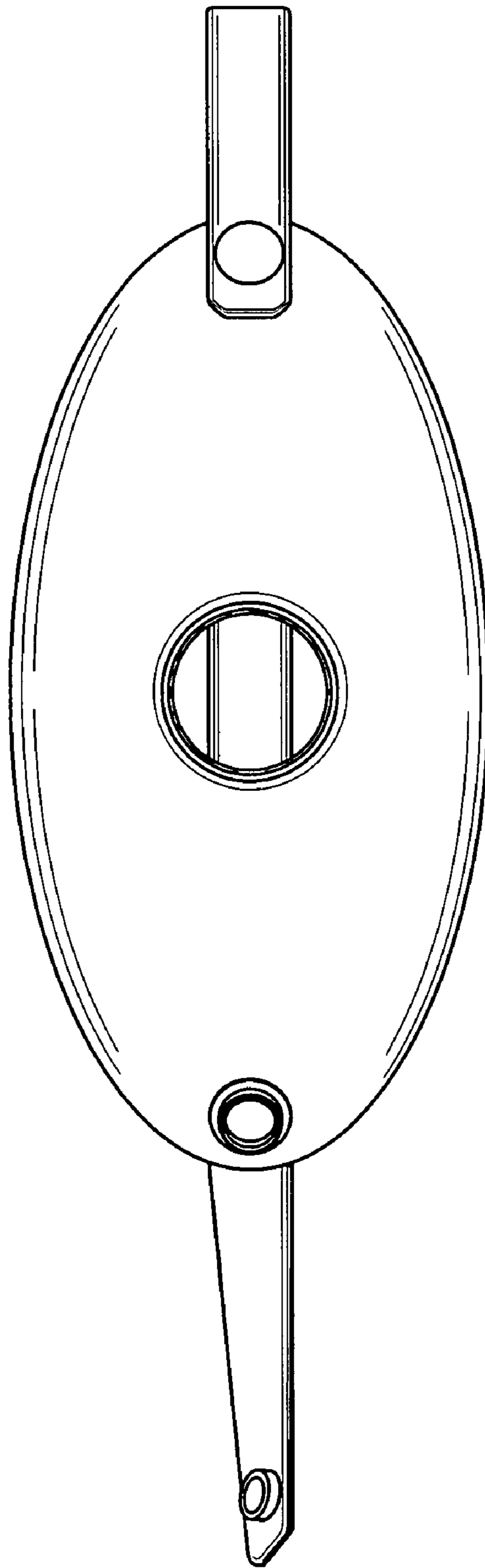


FIG. 5