



US00D568983S

(12) **United States Design Patent**
Pan

(10) **Patent No.:** **US D568,983 S**

(45) **Date of Patent:** **** May 13, 2008**

(54) **FAN BLADE BRACKET**

(75) **Inventor:** **Peter Pan**, Shetzu (TW)

(73) **Assignee:** **Air Cool Industrial Co., Ltd.**,
Taichung (TW)

(**) **Term:** **14 Years**

(21) **Appl. No.:** **29/295,528**

(22) **Filed:** **Sep. 29, 2007**

(51) **LOC (8) Cl.** **23-04**

(52) **U.S. Cl.** **D23/411**

(58) **Field of Classification Search** D23/377,
D23/379, 385, 411, 413; 416/5
See application file for complete search history.

(56) **References Cited**

U.S. PATENT DOCUMENTS

D328,951 S	*	8/1992	Scofield et al.	D23/411
D527,454 S	*	8/2006	Hidalgo	D23/411
D530,005 S	*	10/2006	Cox	D23/411
D532,104 S	*	11/2006	Pickett	D23/411

* cited by examiner

Primary Examiner—Lisa Lichtenstein

(74) *Attorney, Agent, or Firm*—Ming Chow; Sinorica, LLC

(57) **CLAIM**

I claim the ornamental design for a fan blade bracket, as shown and described.

DESCRIPTION

FIG. 1 is a front perspective view of a fan blade bracket showing my new design;

FIG. 2 is a front elevational view thereof;

FIG. 3 is a rear elevational view thereof.

FIG. 4 is a left side elevational view thereof;

FIG. 5 is a right side elevational view thereof;

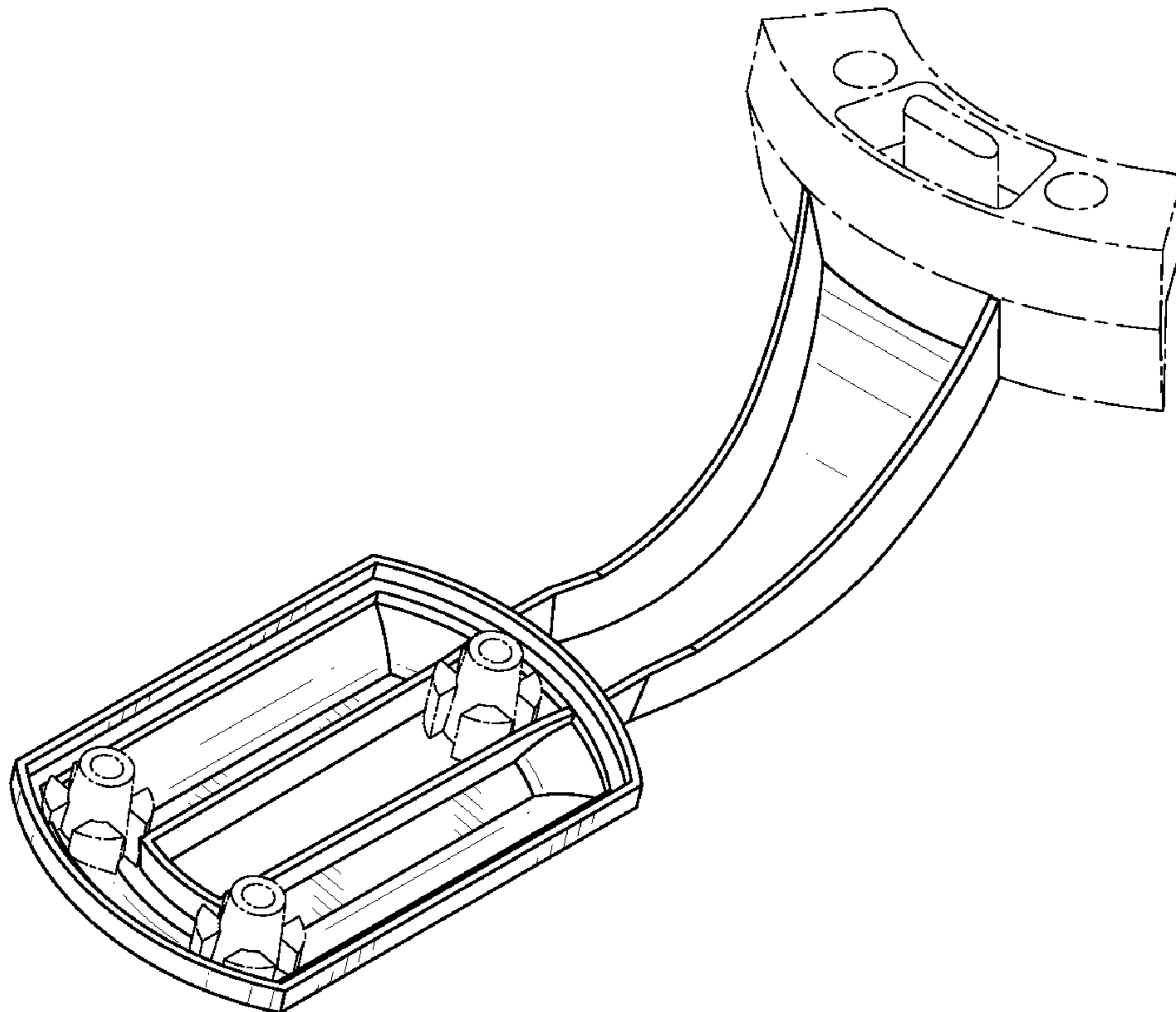
FIG. 6 is a top plan view thereof;

FIG. 7 is a bottom plan view thereof; and,

FIG. 8 is a rear end view of the fan blade bracket in accordance with my design, shown in its environment thereof.

The broken lines showing of the ceiling fan motor housing, fan blades, switch housing, blade iron attachment members, light fixture, pull chain and fan blade bracket is included for the purpose of illustrating environmental structure and forms no part of the claimed design.

1 Claim, 5 Drawing Sheets



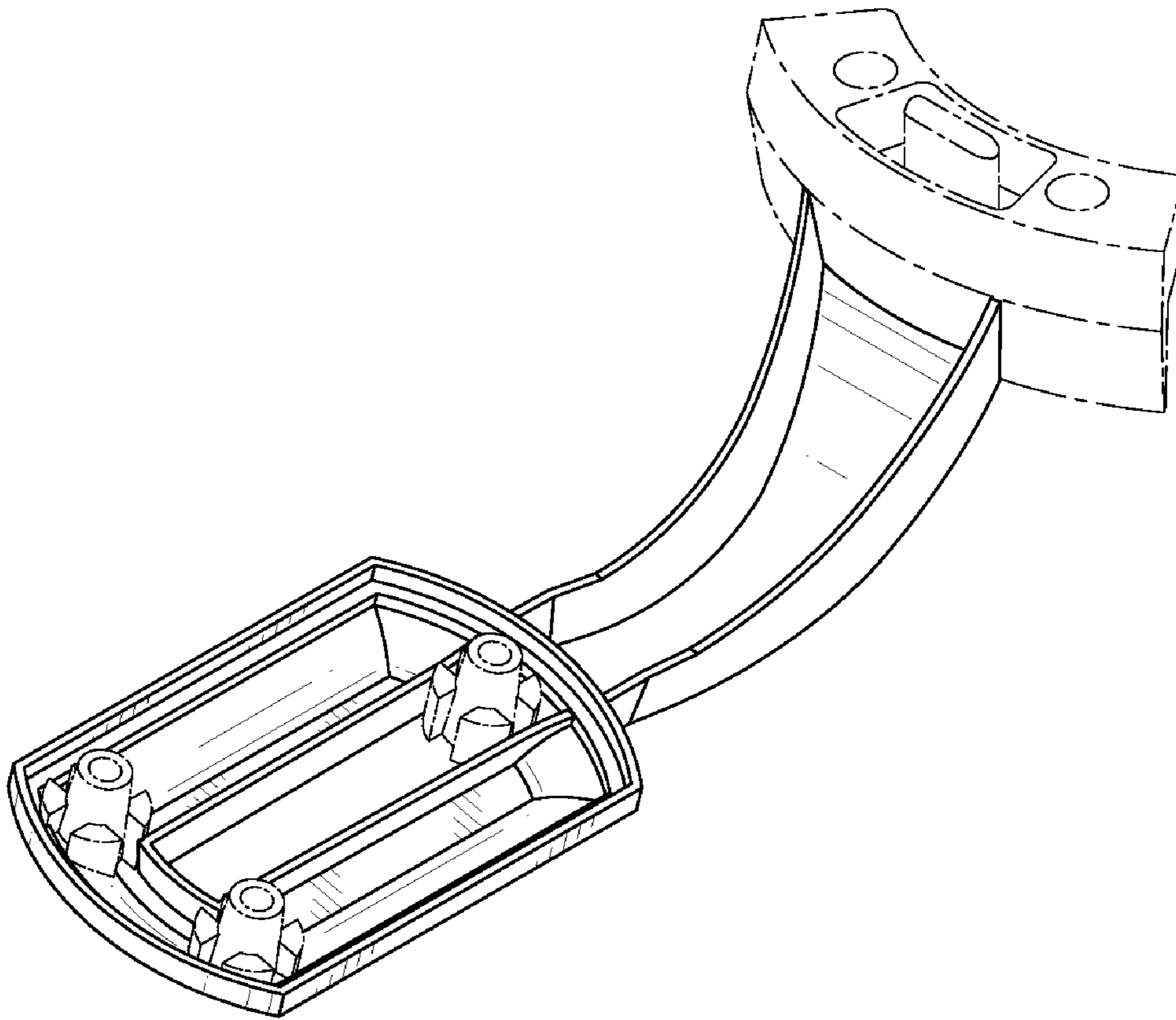


FIG. 1

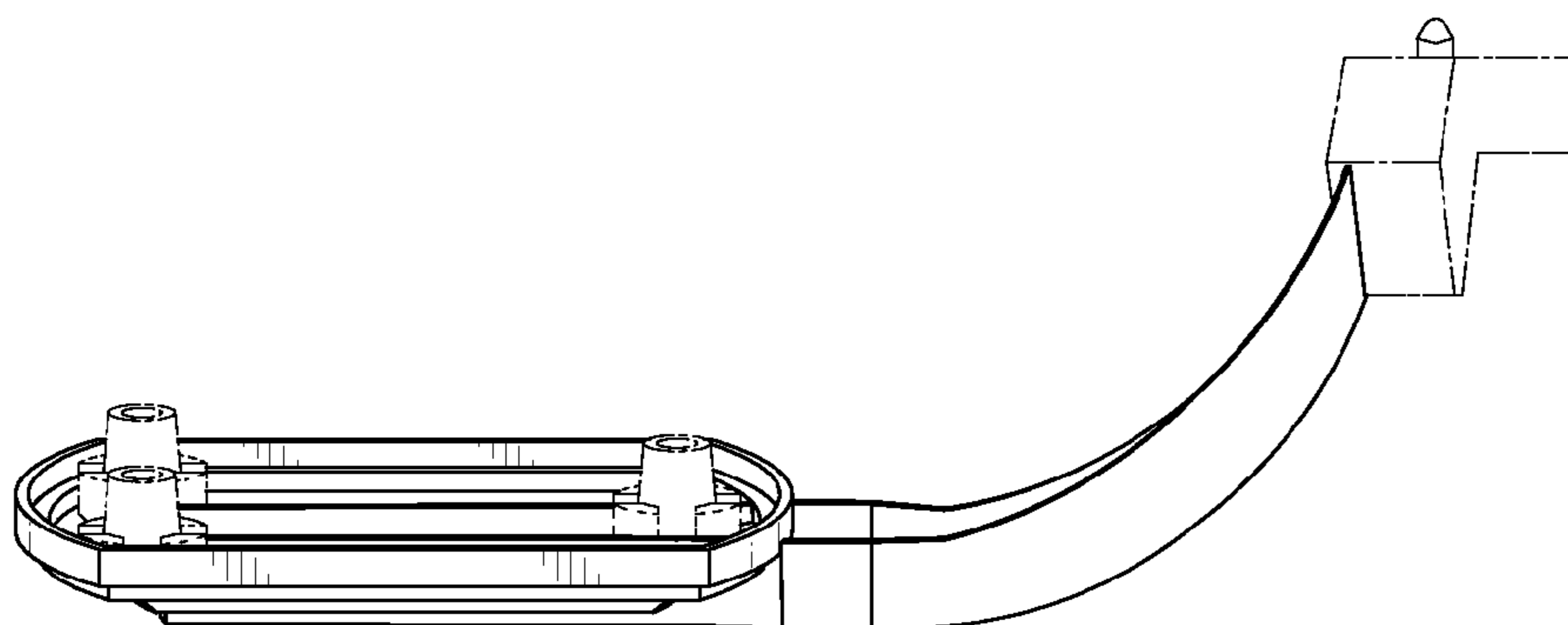


FIG. 2

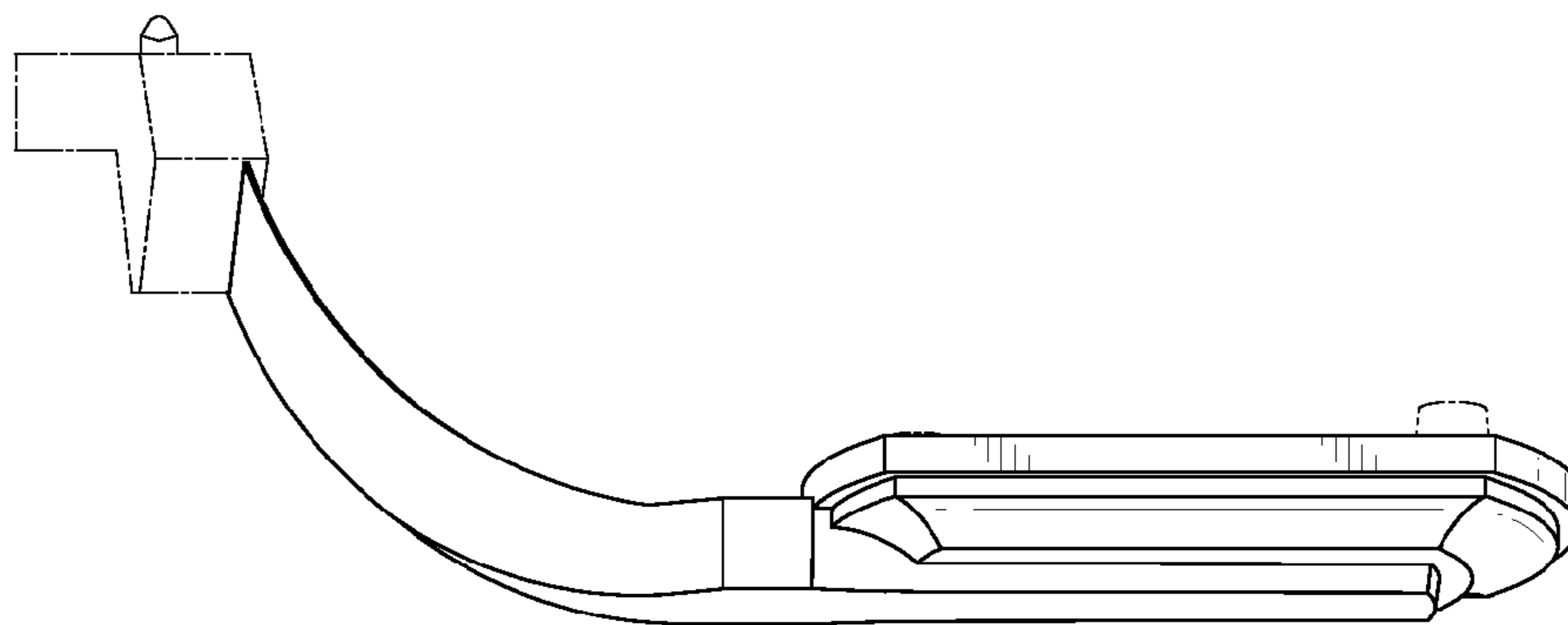


FIG. 3

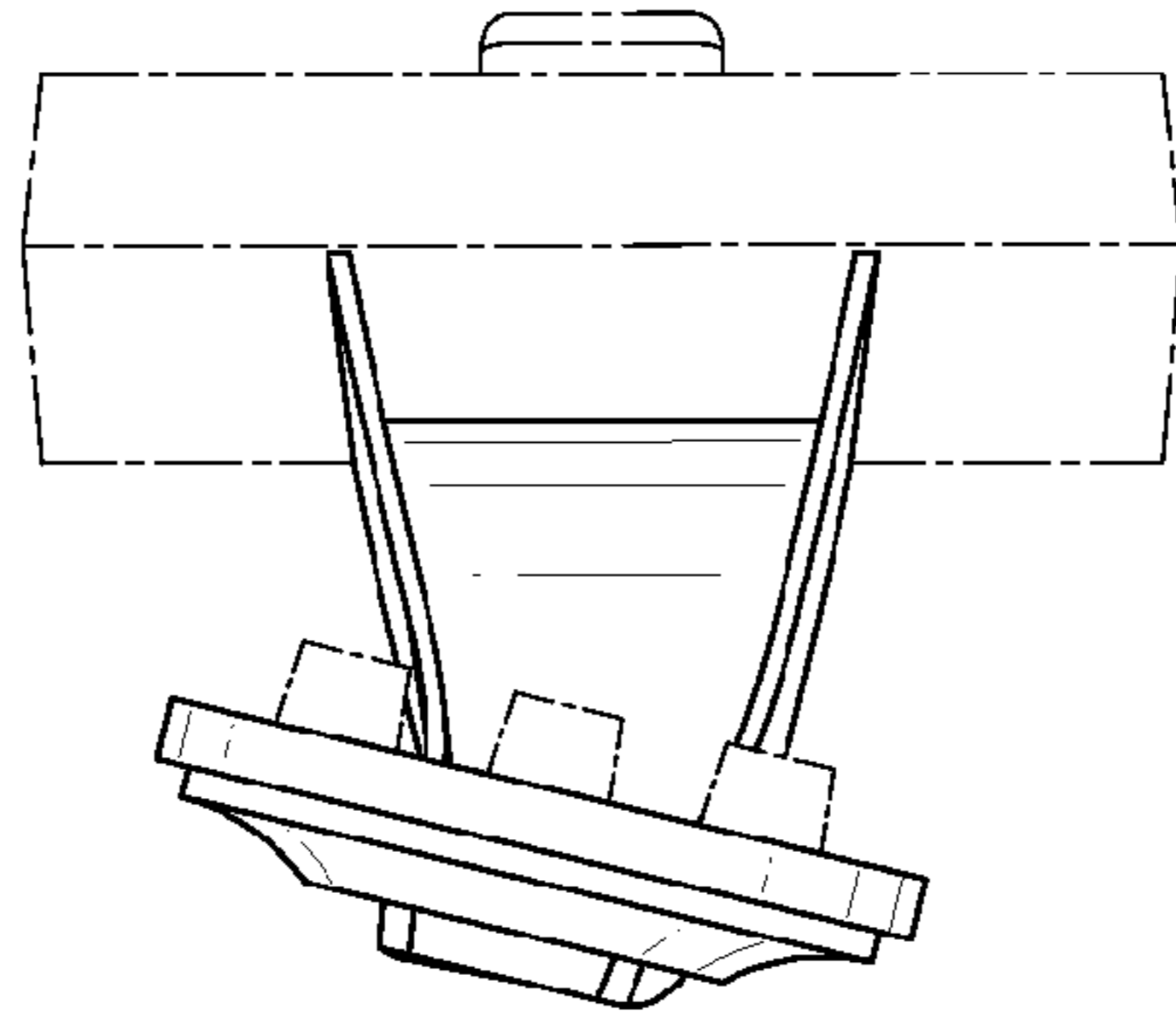


FIG. 4

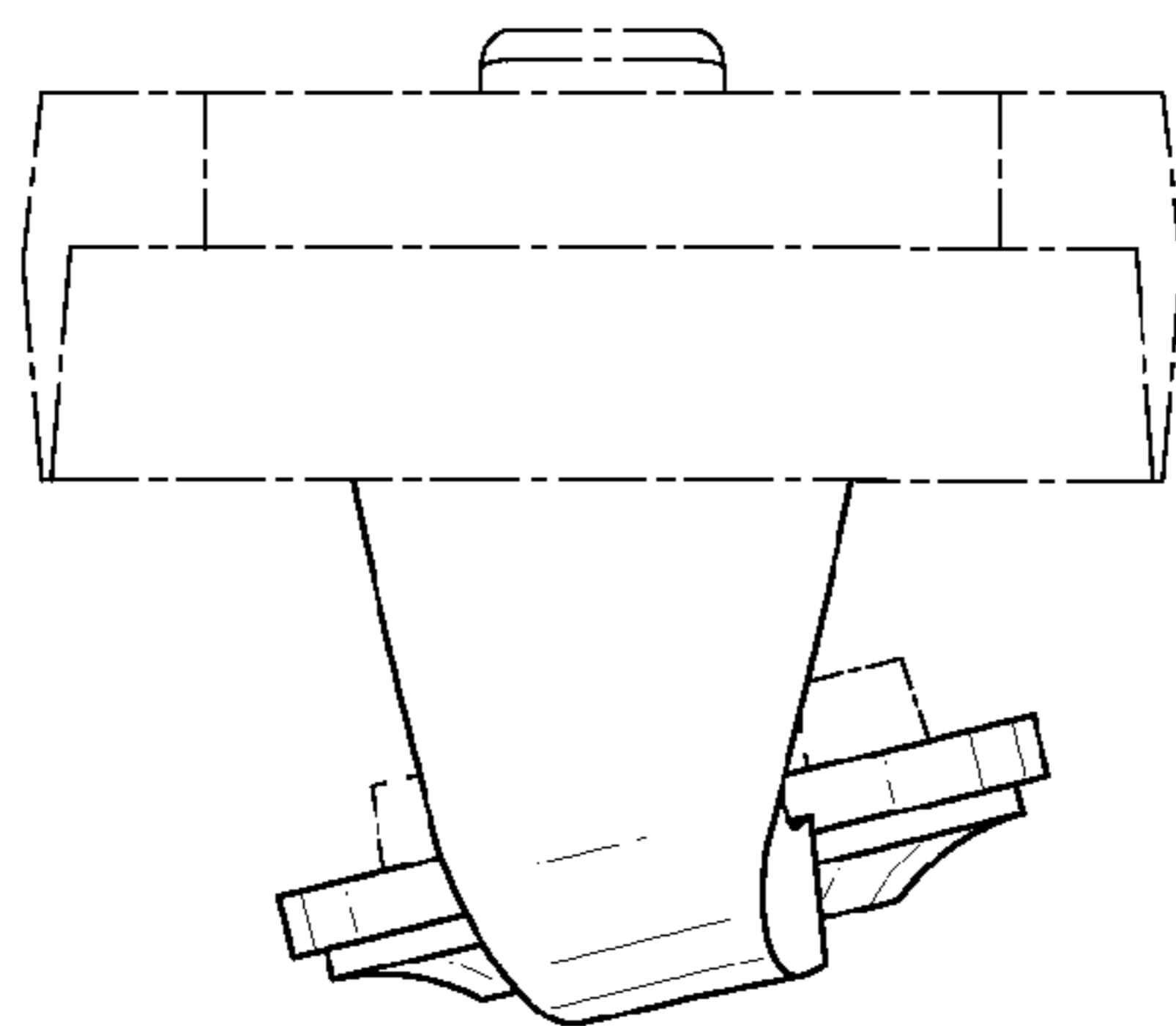


FIG. 5

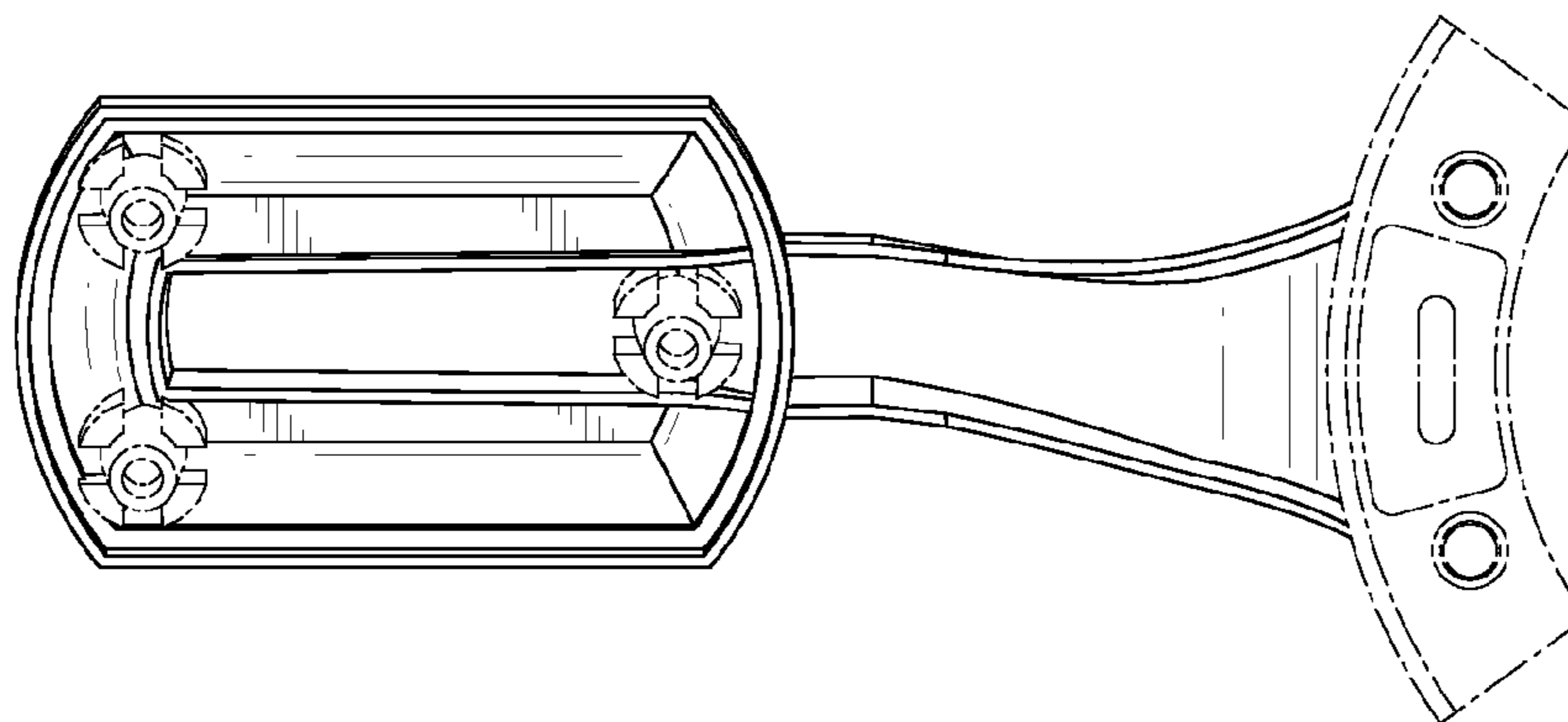


FIG. 6

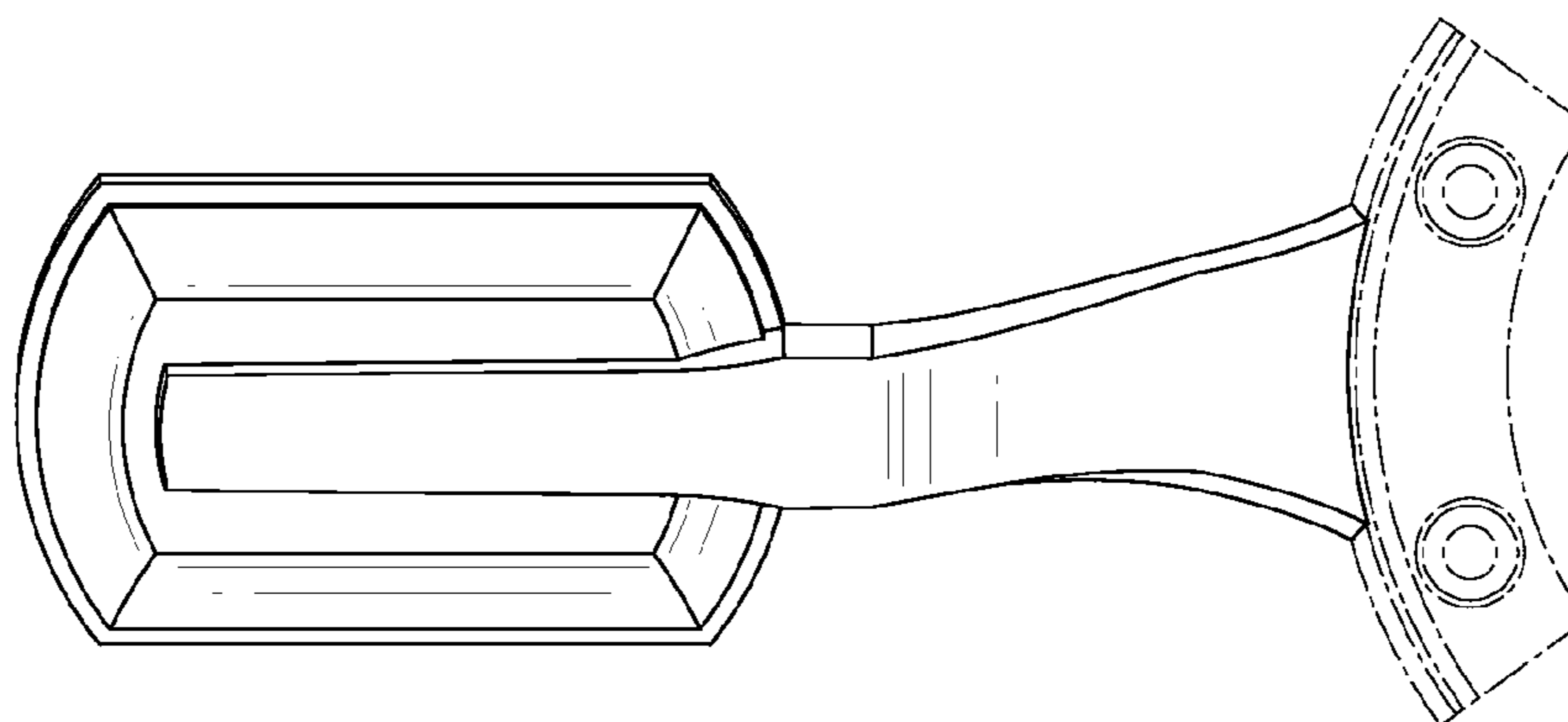


FIG. 7

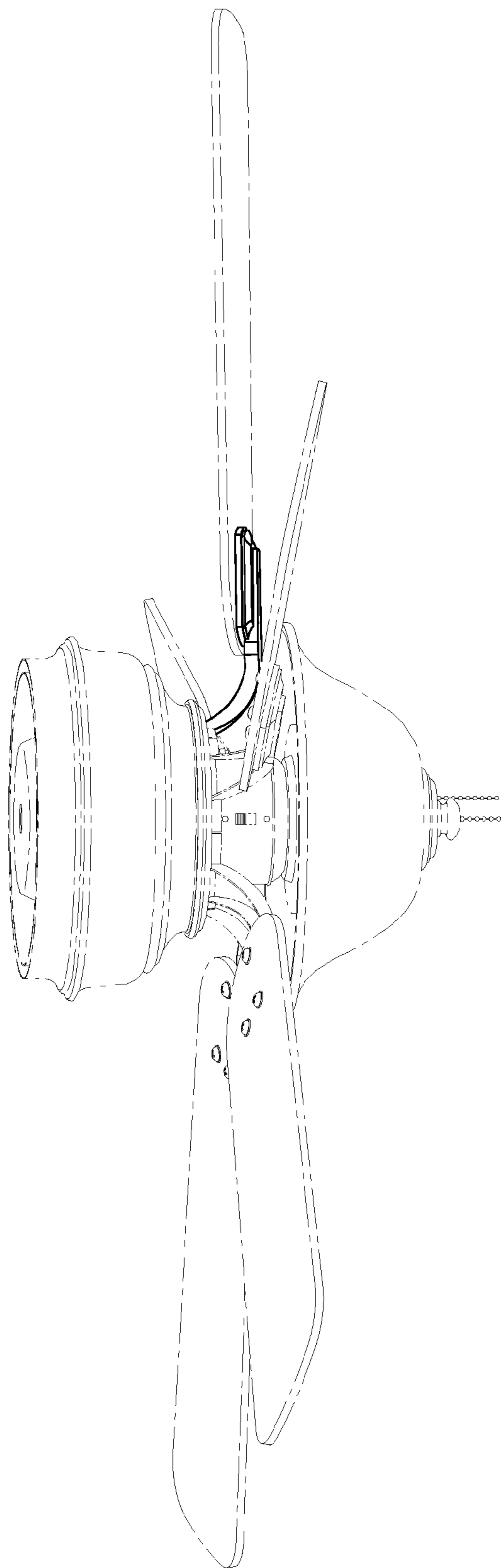


FIG. 8