



US00D568982S

(12) **United States Design Patent**
Hidalgo

(10) **Patent No.:** **US D568,982 S**

(45) **Date of Patent:** **** May 13, 2008**

(54) **CEILING FAN HOUSING**

(75) Inventor: **Rolando Hidalgo**, Orange, CA (US)

(73) Assignee: **Minka Lighting, Inc.**, Corona, CA (US)

(**) Term: **14 Years**

(21) Appl. No.: **29/283,005**

(22) Filed: **Aug. 3, 2007**

(51) **LOC (8) Cl.** **23-04**

(52) **U.S. Cl.** **D23/411**

(58) **Field of Classification Search** D23/377,
D23/379, 385, 411, 413; 416/5

See application file for complete search history.

(56) **References Cited**

U.S. PATENT DOCUMENTS

D388,871 S *	1/1998	Gee, II	D23/413
D407,814 S *	4/1999	Lin	D23/411
D439,322 S *	3/2001	Lee	D23/377
D507,643 S *	7/2005	Burns	D23/411
D531,306 S *	10/2006	Badarello	D23/413
D549,319 S *	8/2007	Shurtleff	D23/411
D551,758 S *	9/2007	Shurtleff	D23/411
D556,887 S *	12/2007	Curtin	D23/411

OTHER PUBLICATIONS

- U.S. Appl. No. 29/250,236, filed Nov. 7, 2006.
- U.S. Appl. No. 29/250,233, filed Nov. 7, 2006.
- U.S. Appl. No. 29/250,235, filed Nov. 7, 2006.
- U.S. Appl. No. 29/282,996, filed Aug. 3, 2007.
- U.S. Appl. No. 29/283,004, filed Aug. 3, 2007.
- Minka Lavery Internet Catalog; Casa Cristina Model #N3003-476 printed from www.minkagroup.net on Nov. 2, 2007.

Minka Lavery Internet Catalog; Casa Cristina Model #N6003-476 printed from www.minkagroup.net on Nov. 2, 2007.

Minka Lavery Internet Catalog; Casa Cristina Model #N6011-476 printed from www.minkagroup.net on Nov. 2, 2007.

* cited by examiner

Primary Examiner—Lisa Lichtenstein

(74) *Attorney, Agent, or Firm*—Baker & McKenzie LLP

(57) **CLAIM**

The ornamental design for a ceiling fan housing, as shown and described.

DESCRIPTION

FIG. 1 is a bottom perspective view of a ceiling fan motor housing showing my new design in use;

FIG. 2 is an enlarged front elevation view of the ceiling fan housing in accordance with my design, the opposite view being a mirror image of that shown;

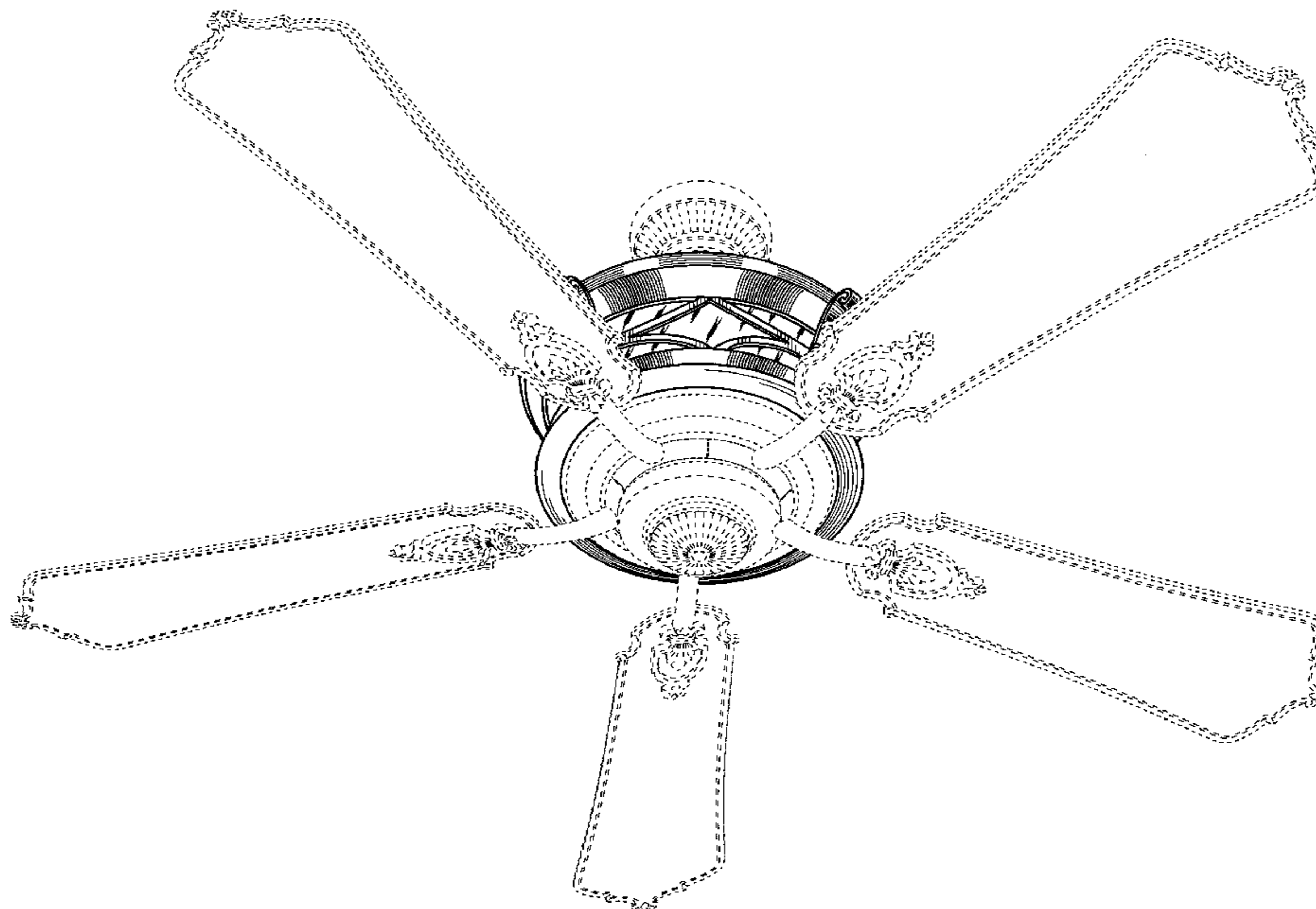
FIG. 3 is an enlarged side elevation view of the ceiling fan housing in accordance with my design, the opposite view being a mirror image of that shown;

FIG. 4 is an enlarged top plan view of the ceiling fan housing in accordance with my design; and,

FIG. 5 is an enlarged bottom plan view of the ceiling fan housing in accordance with my design.

The broken line showing of the ceiling fan blades, blade irons, switch housing, top apertures and bottom plate is included for the purpose of illustrating environmental structure and forms no part of the claimed design.

1 Claim, 4 Drawing Sheets



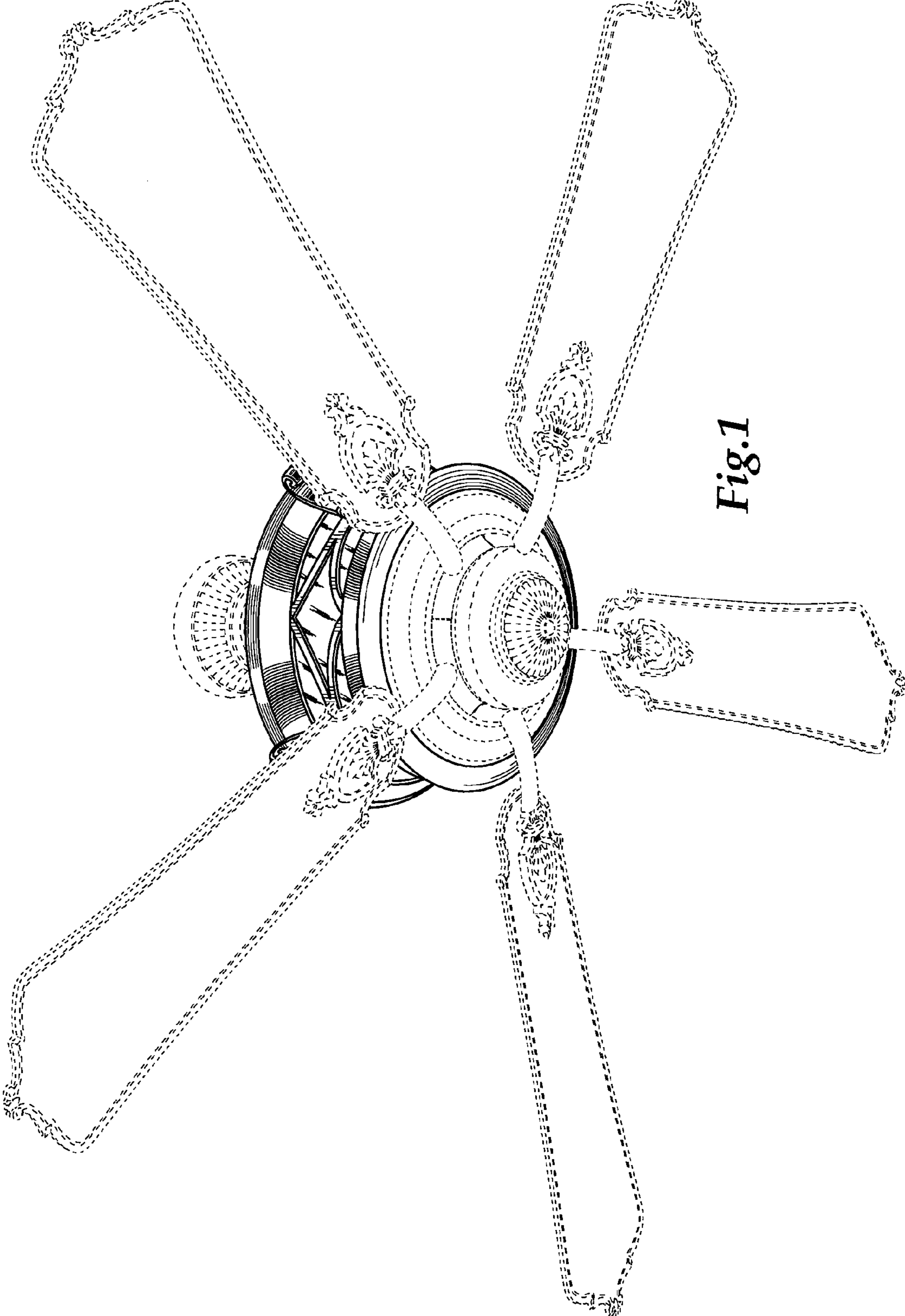


Fig. 1

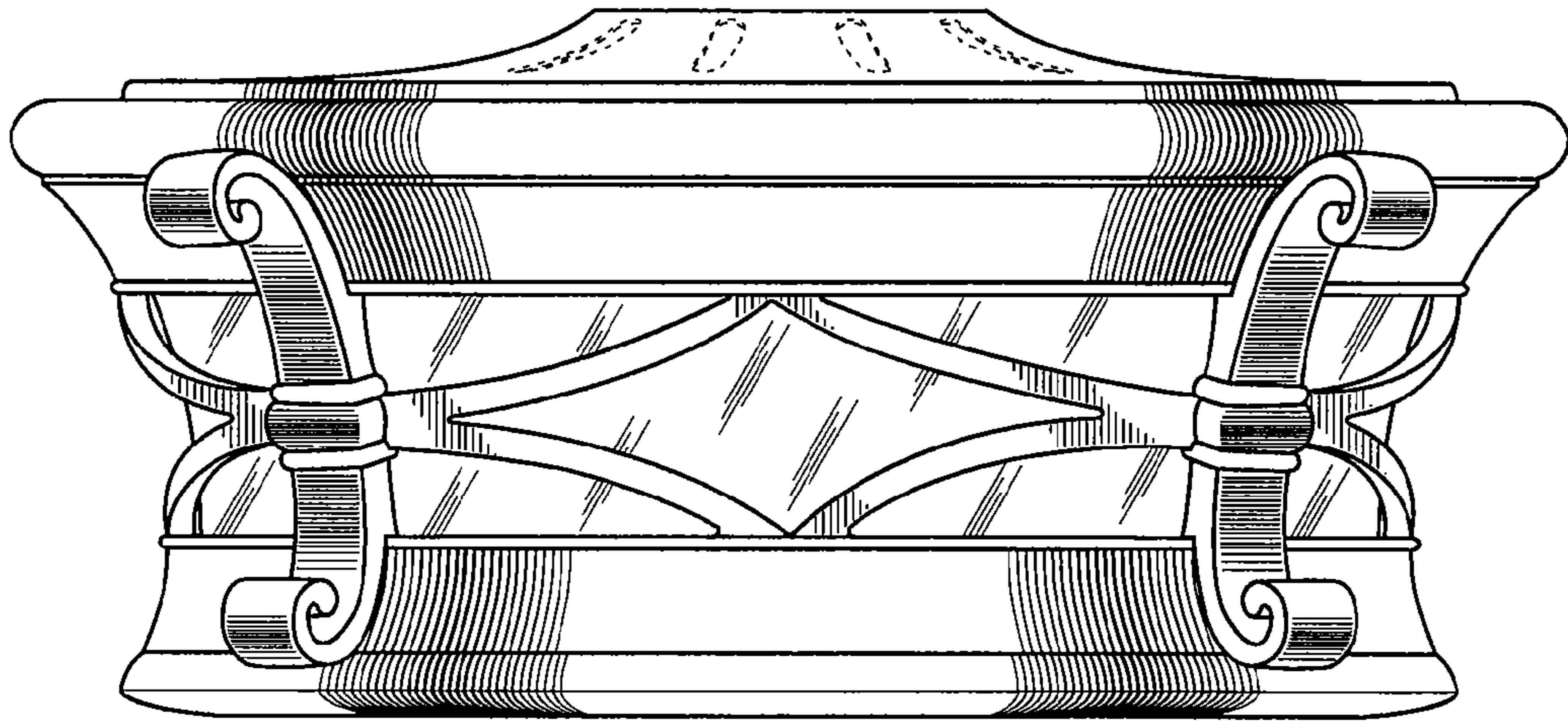


Fig. 2

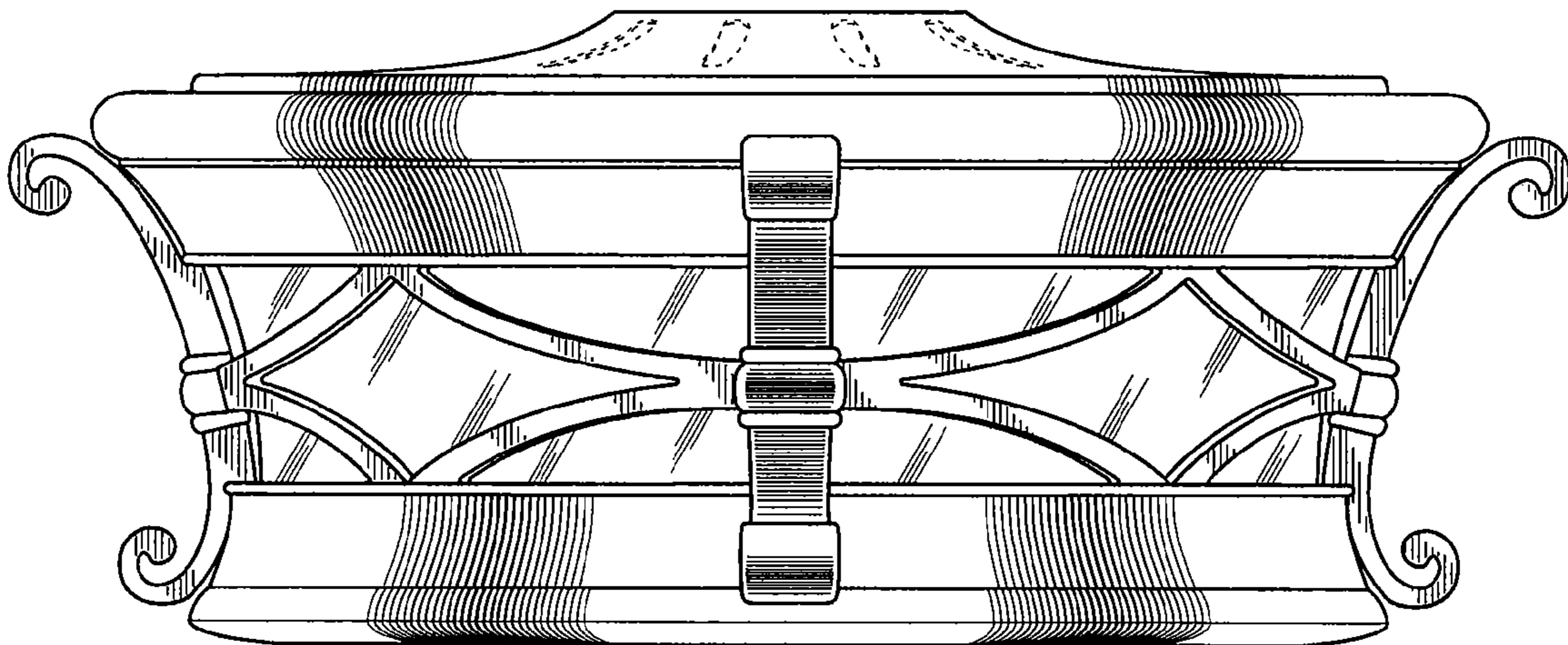


Fig. 3

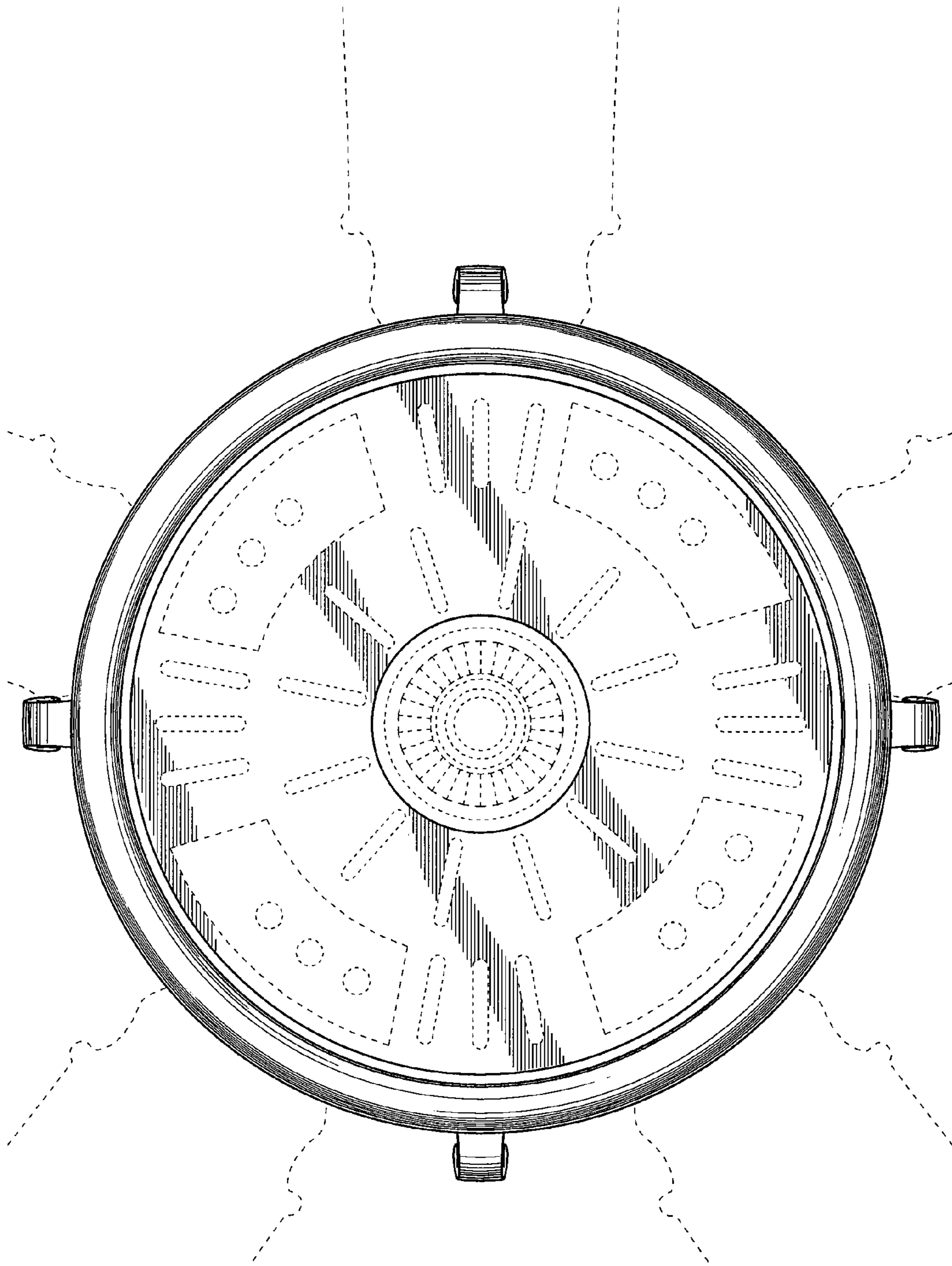


Fig.4

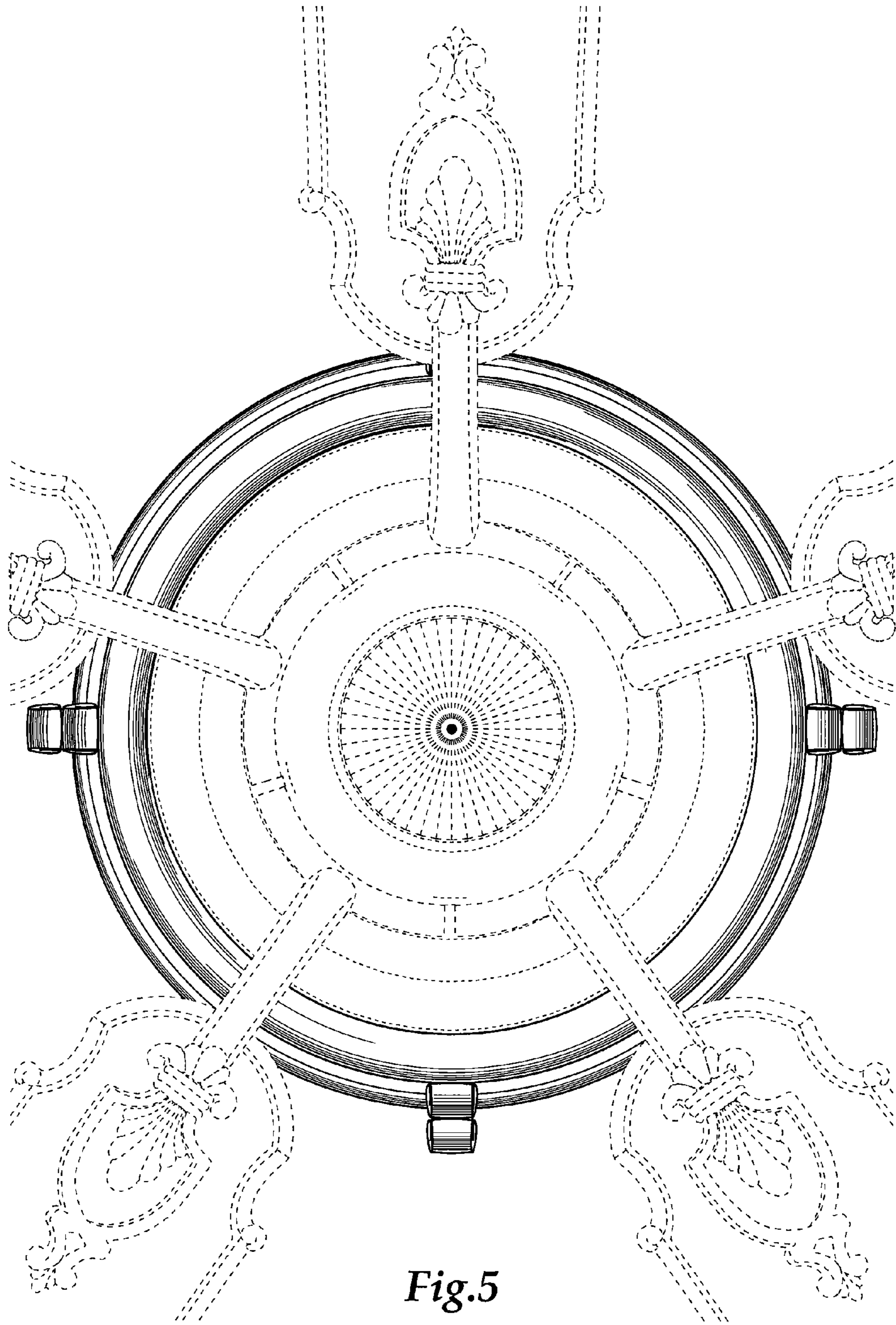


Fig.5