



US00D568979S

(12) **United States Design Patent**
Hidalgo

(10) **Patent No.:** **US D568,979 S**
(45) **Date of Patent:** **** May 13, 2008**

(54) **CEILING FAN**

(75) Inventor: **Rolando Hidalgo**, Orange, CA (US)

(73) Assignee: **Minka Lighting, Inc.**, Corona, CA (US)

(**) Term: **14 Years**

(21) Appl. No.: **29/282,996**

(22) Filed: **Aug. 3, 2007**

(51) **LOC (8) Cl.** **23-04**

(52) **U.S. Cl.** **D23/377**

(58) **Field of Classification Search** D23/377,
D23/379, 385, 413, 411; 416/5

See application file for complete search history.

(56) **References Cited**

U.S. PATENT DOCUMENTS

D388,871 S *	1/1998	Gee, II	D23/413
D407,814 S *	4/1999	Lin	D23/413
D439,322 S *	3/2001	Lee	D23/377
D507,643 S *	7/2005	Burns	D23/411
D549,319 S *	8/2007	Shurtleff	D23/411
D551,758 S *	9/2007	Shurtleff	D23/411
D556,887 S *	12/2007	Curtin et al.	D23/411

OTHER PUBLICATIONS

- U.S. Appl. No. 29/250,236, filed on Nov. 7, 2006.
- U.S. Appl. No. 29/250,233, filed on Nov. 7, 2006.
- U.S. Appl. No. 29/250,235, filed on Nov. 7, 2006.
- U.S. Appl. No. 29/283,004, filed on Aug. 3, 2007.
- U.S. Appl. No. 29/283,005 filed on Aug. 3, 2007.
- Minka Lavery Internet Catalog; Casa Cristina Model #N3003-476 printed from www.minkagroup.net on Nov. 2, 2007.

Minka Lavery Internet Catalog; Casa Cristina Model #N6003-476 printed from www.minkagroup.net on Nov. 2, 2007.

Minka Lavery Internet Catalog; Casa Cristina Model #N6011-476 printed from www.minkagroup.net on Nov. 2, 2007.

* cited by examiner

Primary Examiner—Lisa Lichtenstein

(74) *Attorney, Agent, or Firm*—Baker & McKenzie LLP

(57) **CLAIM**

The ornamental design for a ceiling fan, as shown and described.

DESCRIPTION

FIG. 1 is a bottom perspective view of a ceiling fan in accordance with my design;

FIG. 2 is a reduced top plan view of the ceiling fan in accordance with my design;

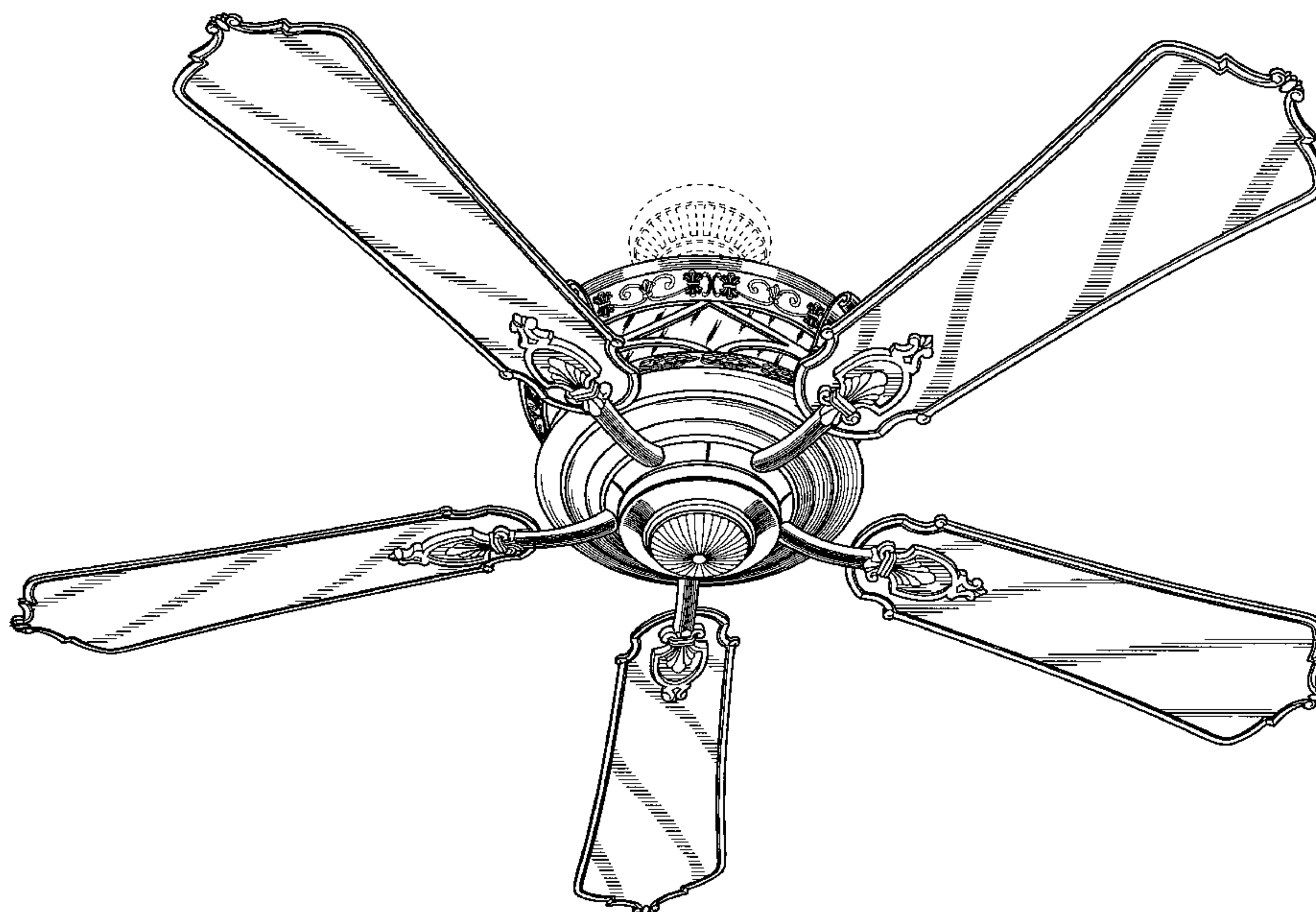
FIG. 3 is a reduced bottom plan view of the ceiling fan in accordance with my design;

FIG. 4 is a front elevation view of the ceiling fan in accordance with my design, the opposite view being a mirror image of that shown except for the position of the fan blades; and,

FIG. 5 is a side elevation view of the ceiling fan in accordance with my design, the opposite view being a mirror image of that shown except for the position of the fan blades.

The broken line showing of the ceiling fan canopy is included for the purpose of illustrating environmental structure and forms no part of the claimed design.

1 Claim, 5 Drawing Sheets



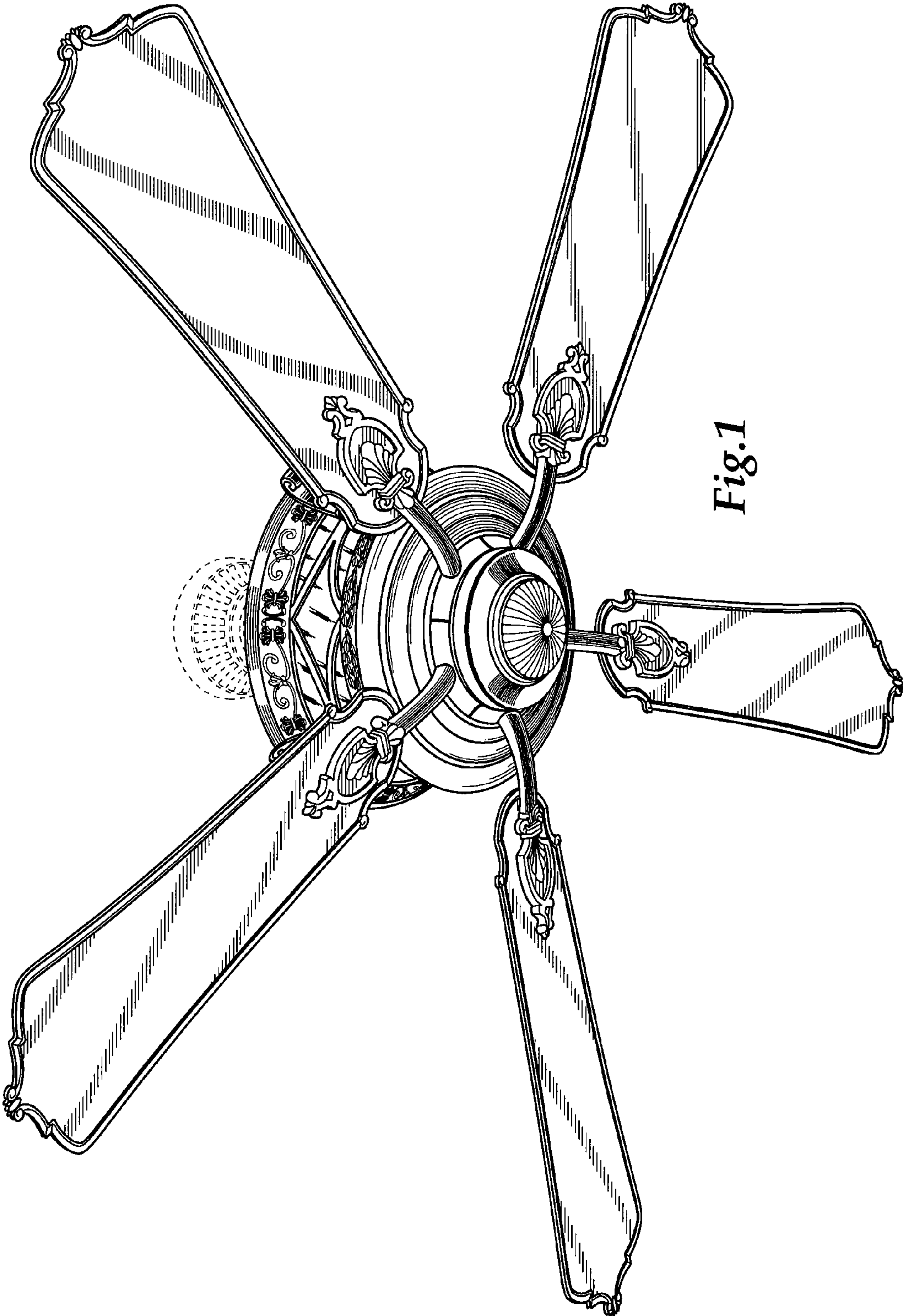


Fig. 1

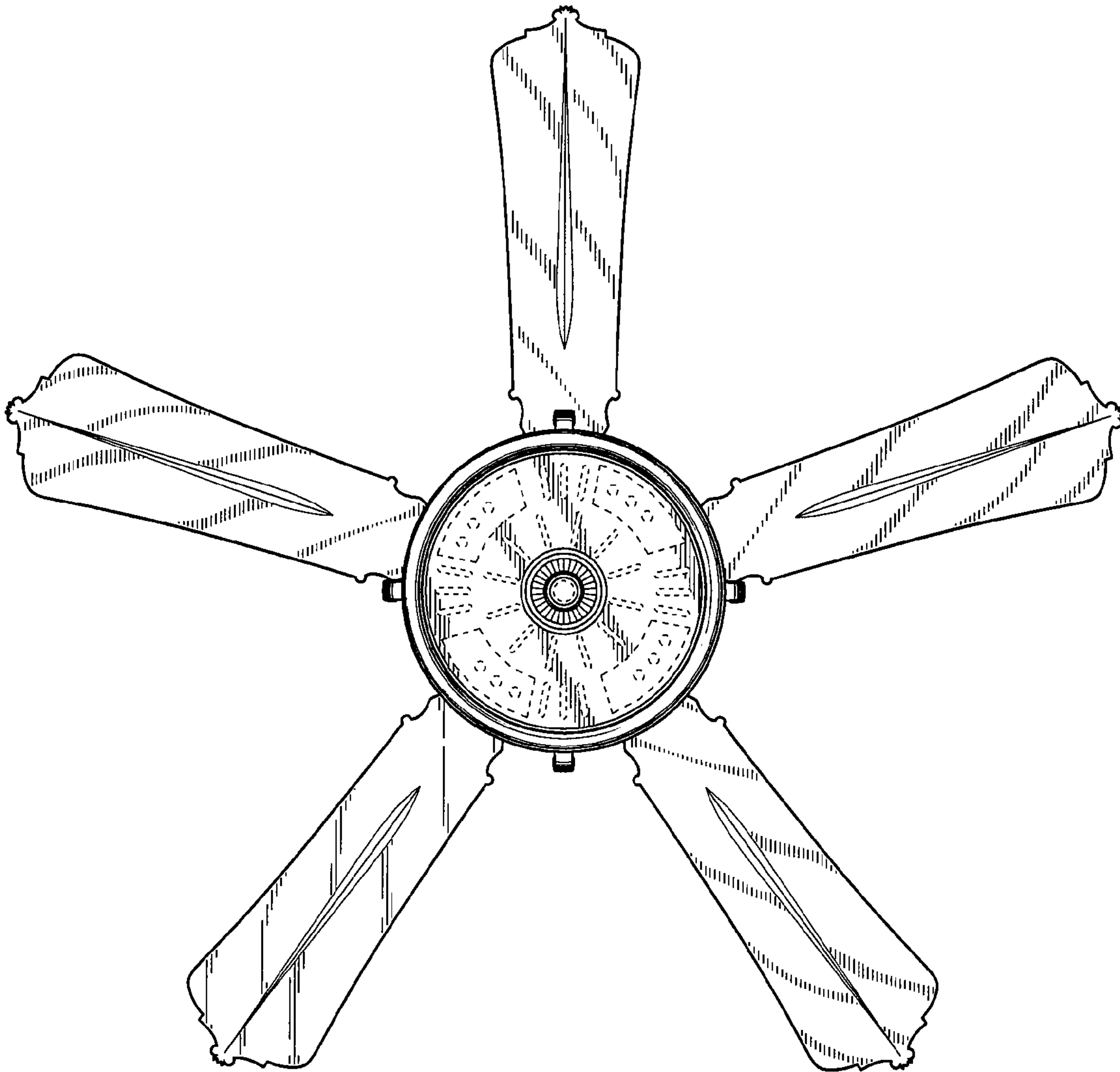


Fig.2

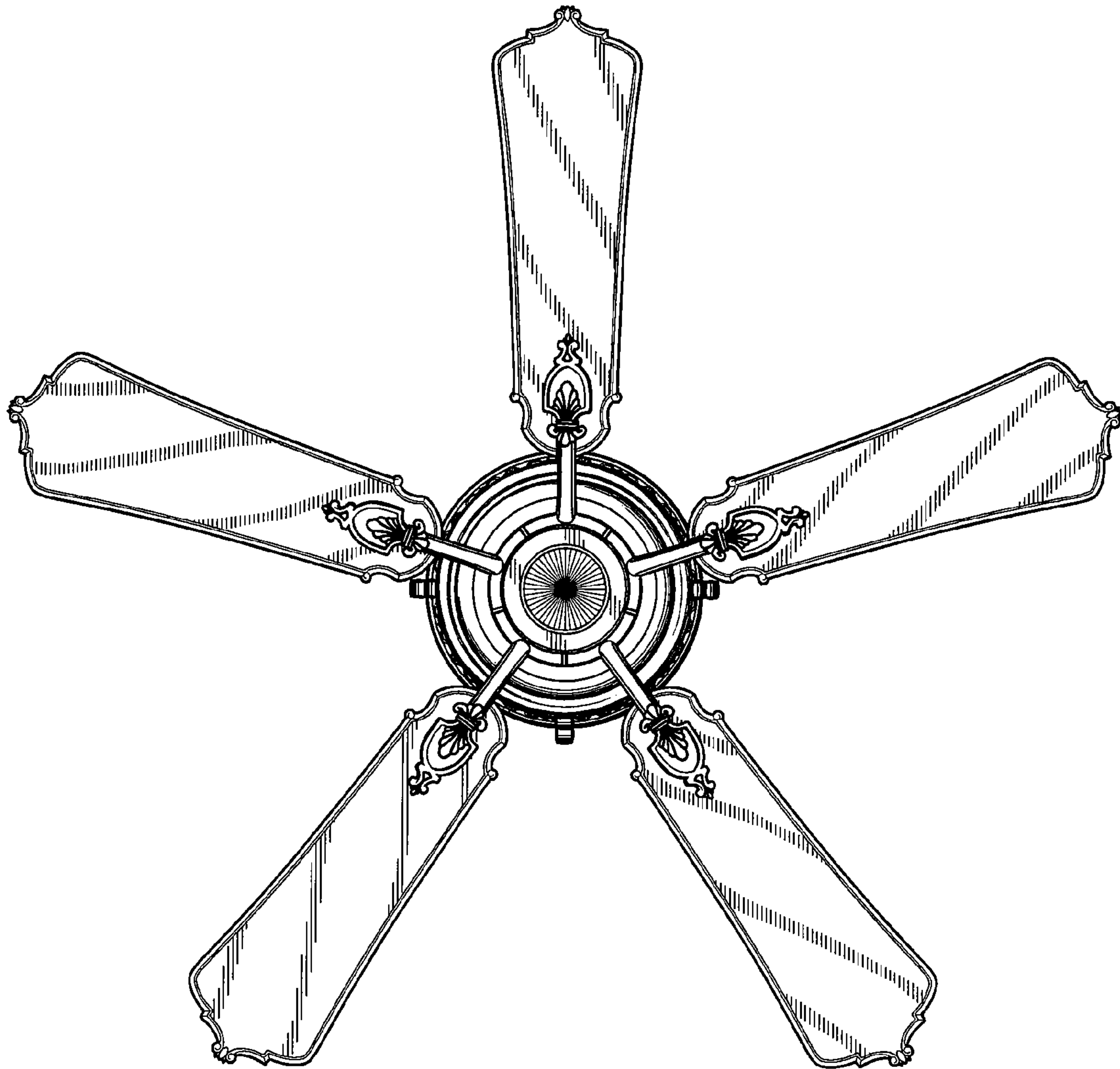


Fig.3

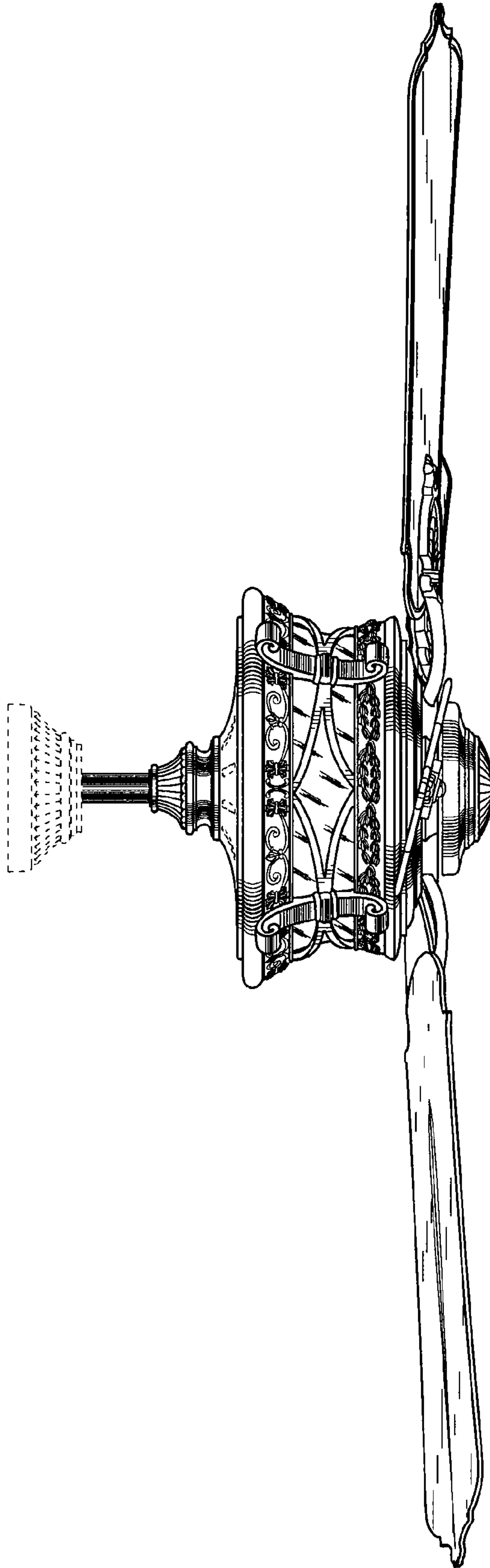


Fig.4

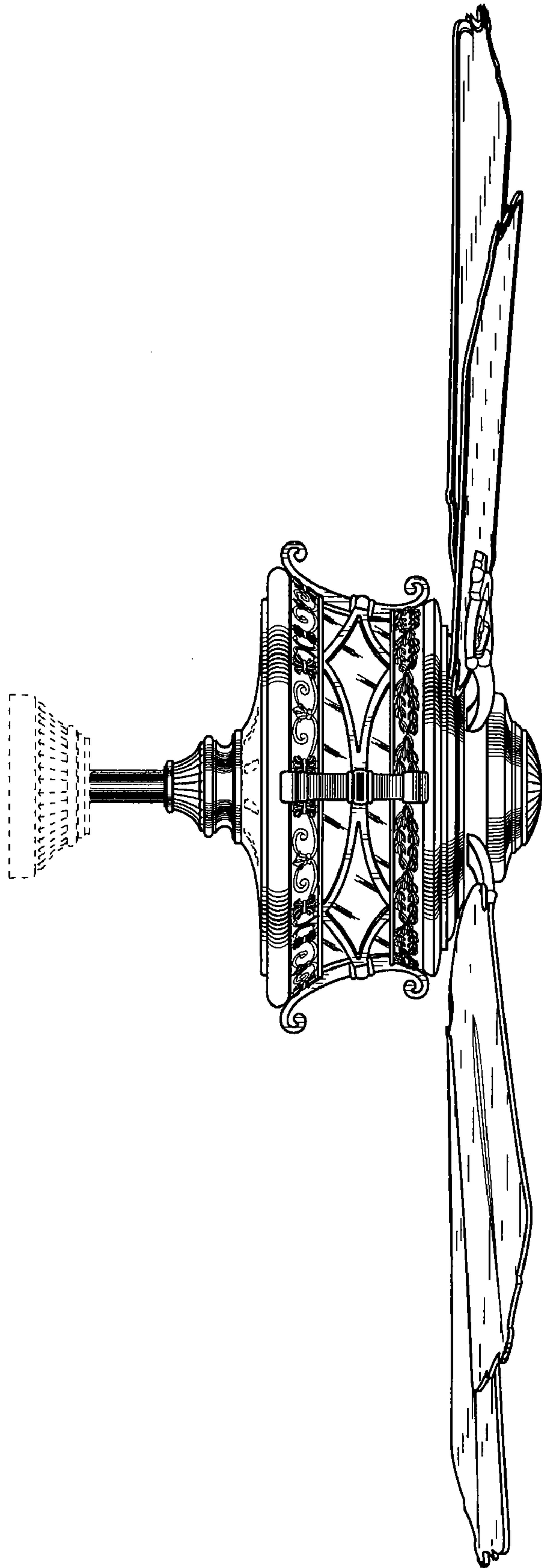


Fig. 5