

US00D568976S

(12) **United States Design Patent**
Choi et al.

(10) **Patent No.:** **US D568,976 S**

(45) **Date of Patent:** **** May 13, 2008**

(54) **AIR CONDITIONER**

D539,890 S * 4/2007 Jeong et al. D23/353
D558,868 S * 1/2008 Choi D23/353

(75) Inventors: **Hwnag Woong Choi**, Seoul (KR); **Yo Han Kim**, Seoul (KR)

* cited by examiner

(73) Assignee: **Samsung Electronics Co., Ltd.**, Suwon (KR)

Primary Examiner—Brian N Vinson
(74) *Attorney, Agent, or Firm*—Ladas and Parry LLP

(**) Term: **14 Years**

(57) **CLAIM**

(21) Appl. No.: **29/291,747**

The ornamental design for an air conditioner, as shown and described.

(22) Filed: **Sep. 12, 2007**

DESCRIPTION

(51) **LOC (8) Cl.** **23-04**

(52) **U.S. Cl.** **D23/353**

(58) **Field of Classification Search** D23/351–354;
312/236; 62/259.1, 259.4, 262–263, 304;
454/330–331, 349–350

See application file for complete search history.

FIG. 1 is a front/right-side/top perspective view of a air conditioner showing our new design;
FIG. 2 is a front-side elevational view thereof;
FIG. 3 is a left-side elevational view thereof;
FIG. 4 is a right-side elevational view thereof;
FIG. 5 is a top-side elevational view thereof; and,
FIG. 6 is a bottom-side elevational view thereof.

(56) **References Cited**

U.S. PATENT DOCUMENTS

D523,942 S * 6/2006 Yamagami D23/353
D523,944 S * 6/2006 Oh et al. D23/353
D524,431 S * 7/2006 Oh et al. D23/353
D534,261 S * 12/2006 Oh et al. D23/353
D534,638 S * 1/2007 Ryu et al. D23/353

The broken lines showing of the air conditioner is for illustrative purpose only and form no part of the claimed design.

1 Claim, 6 Drawing Sheets

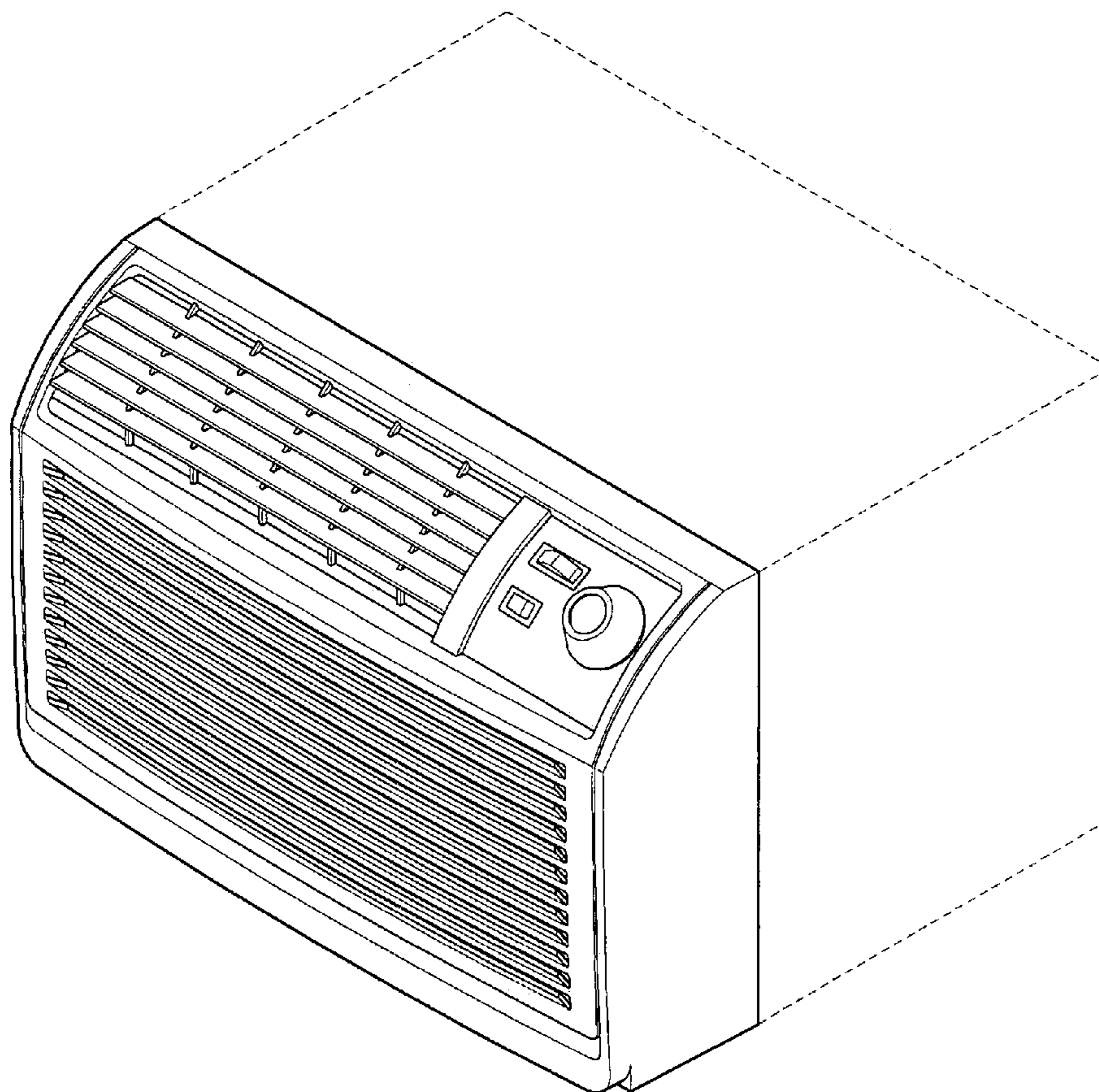


FIG. 1

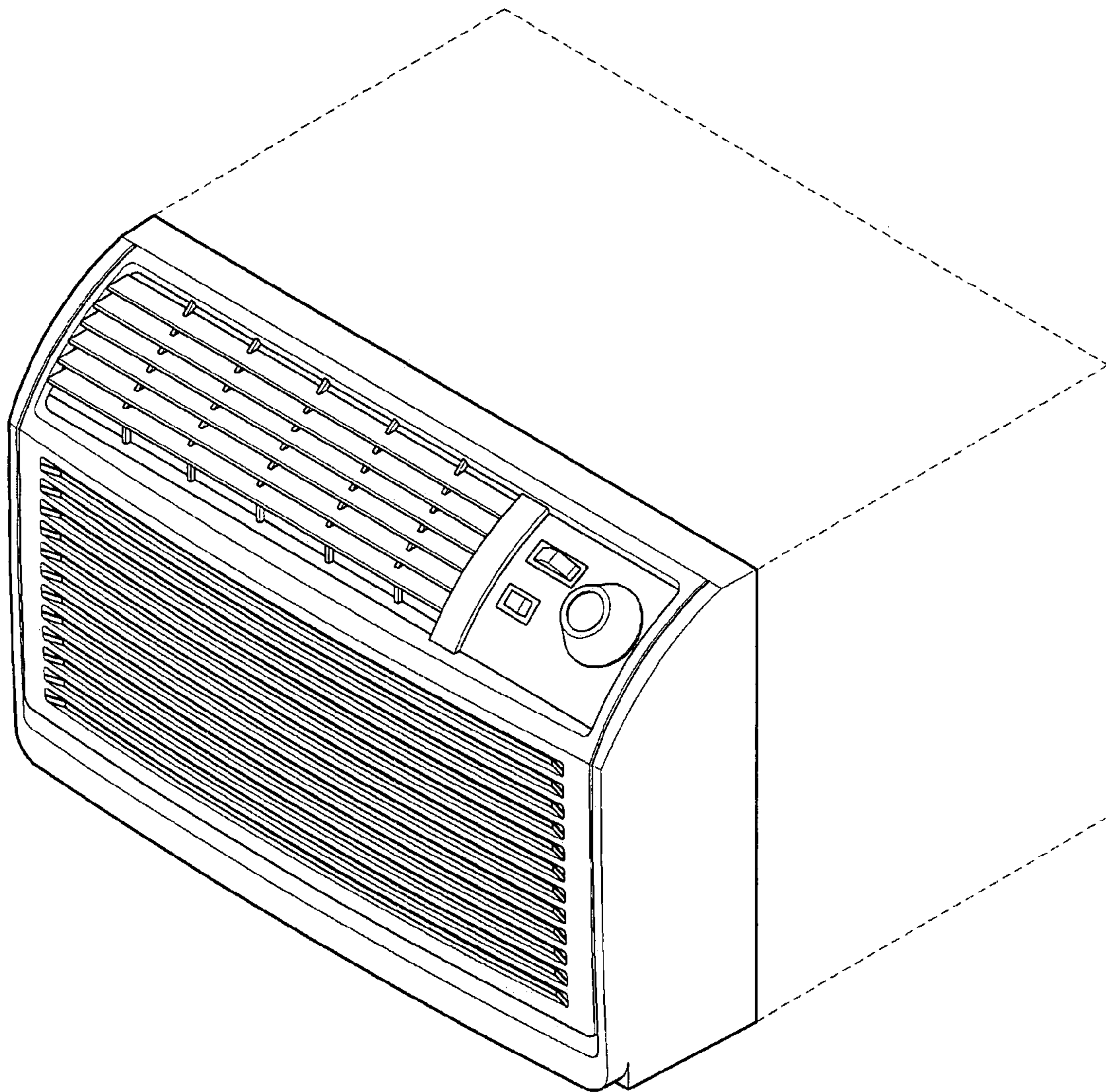


FIG. 2

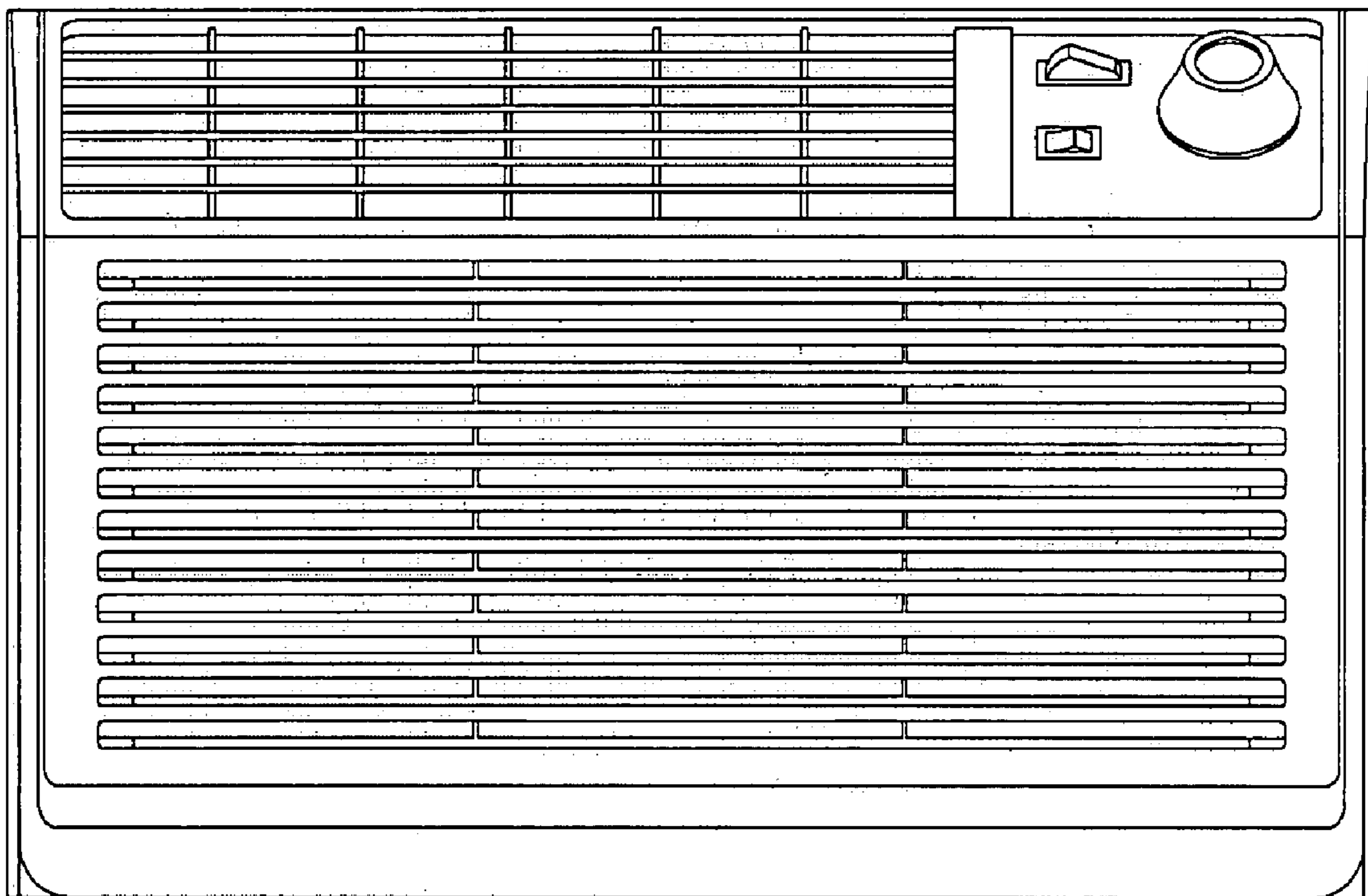


FIG. 3

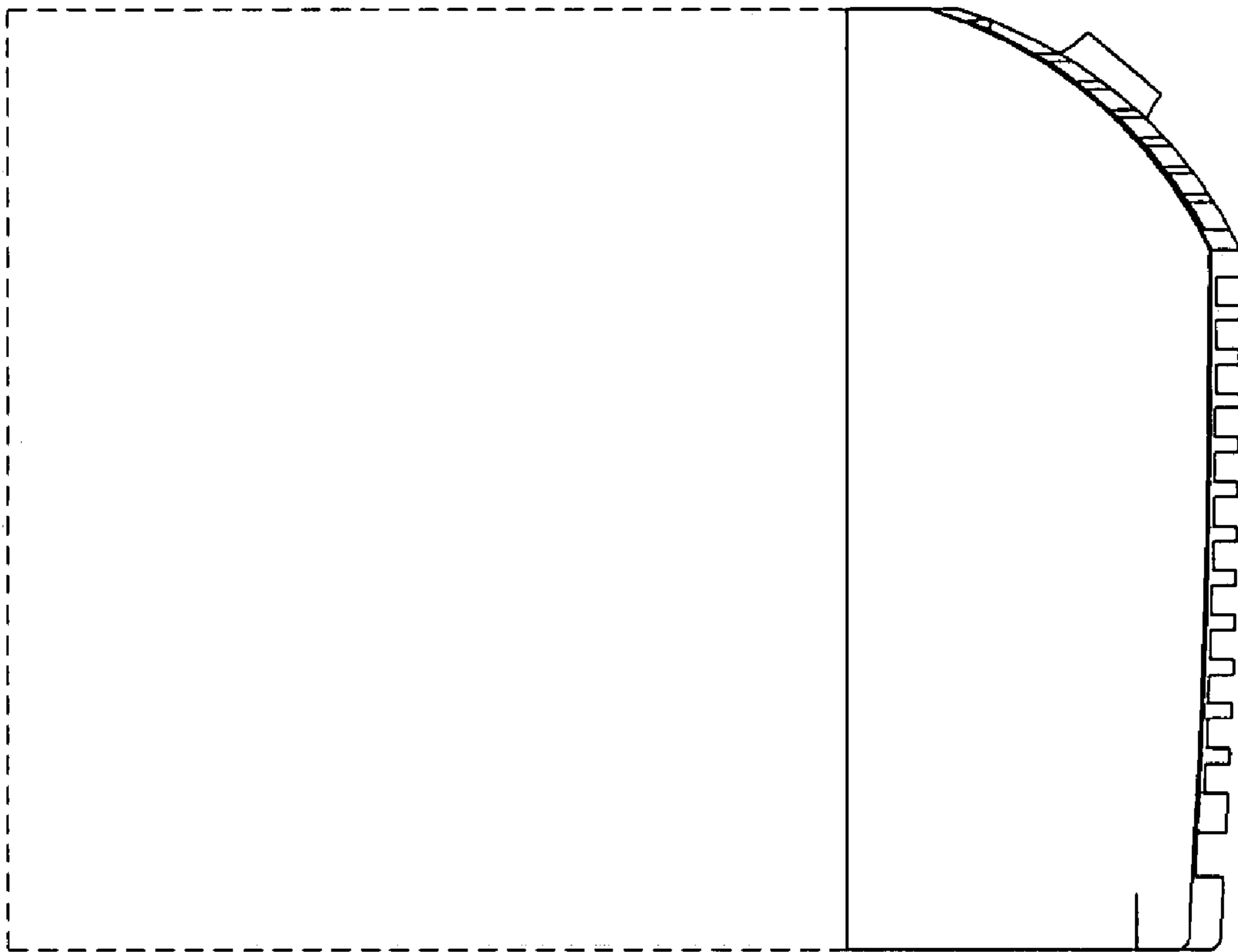


FIG. 4

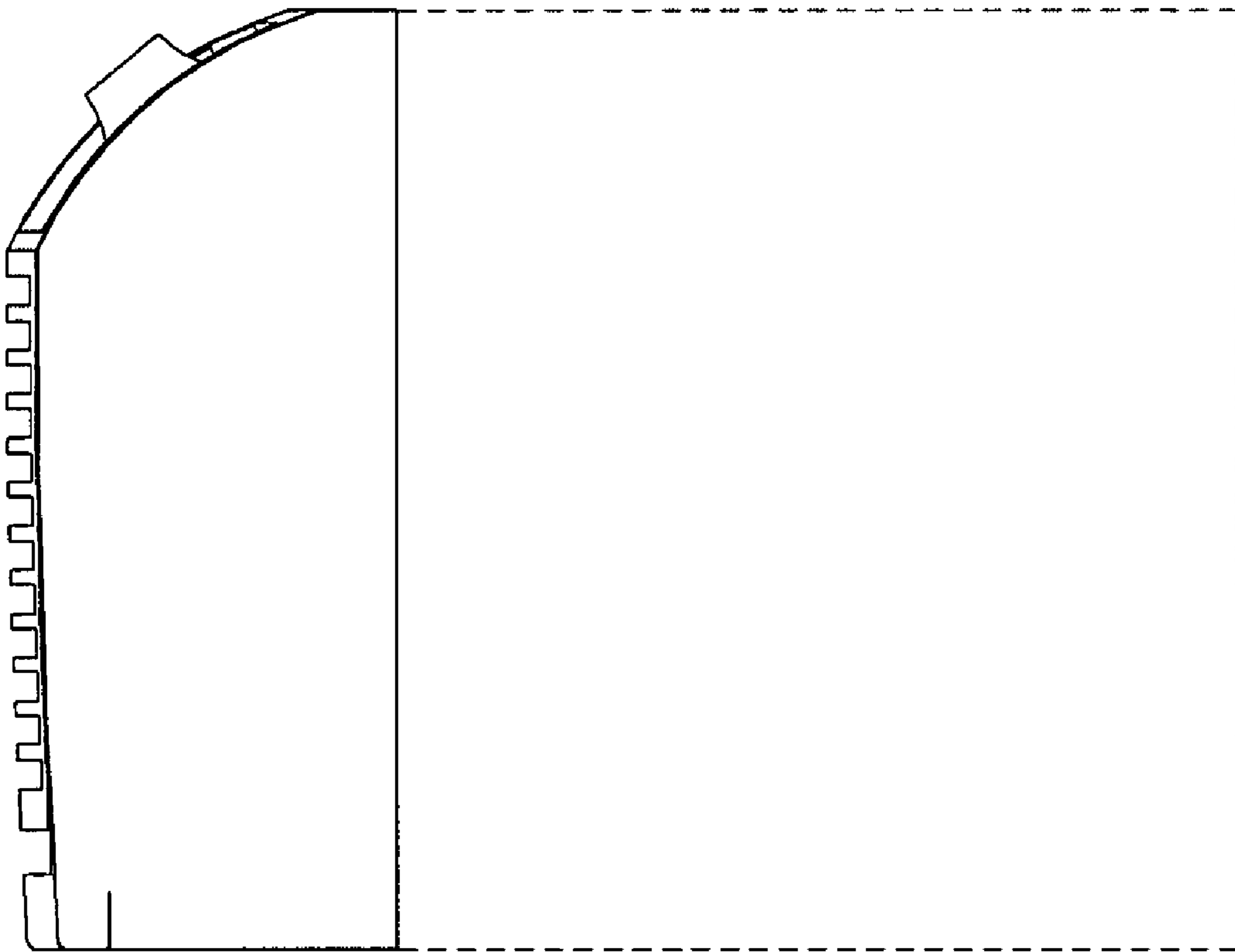


FIG. 5

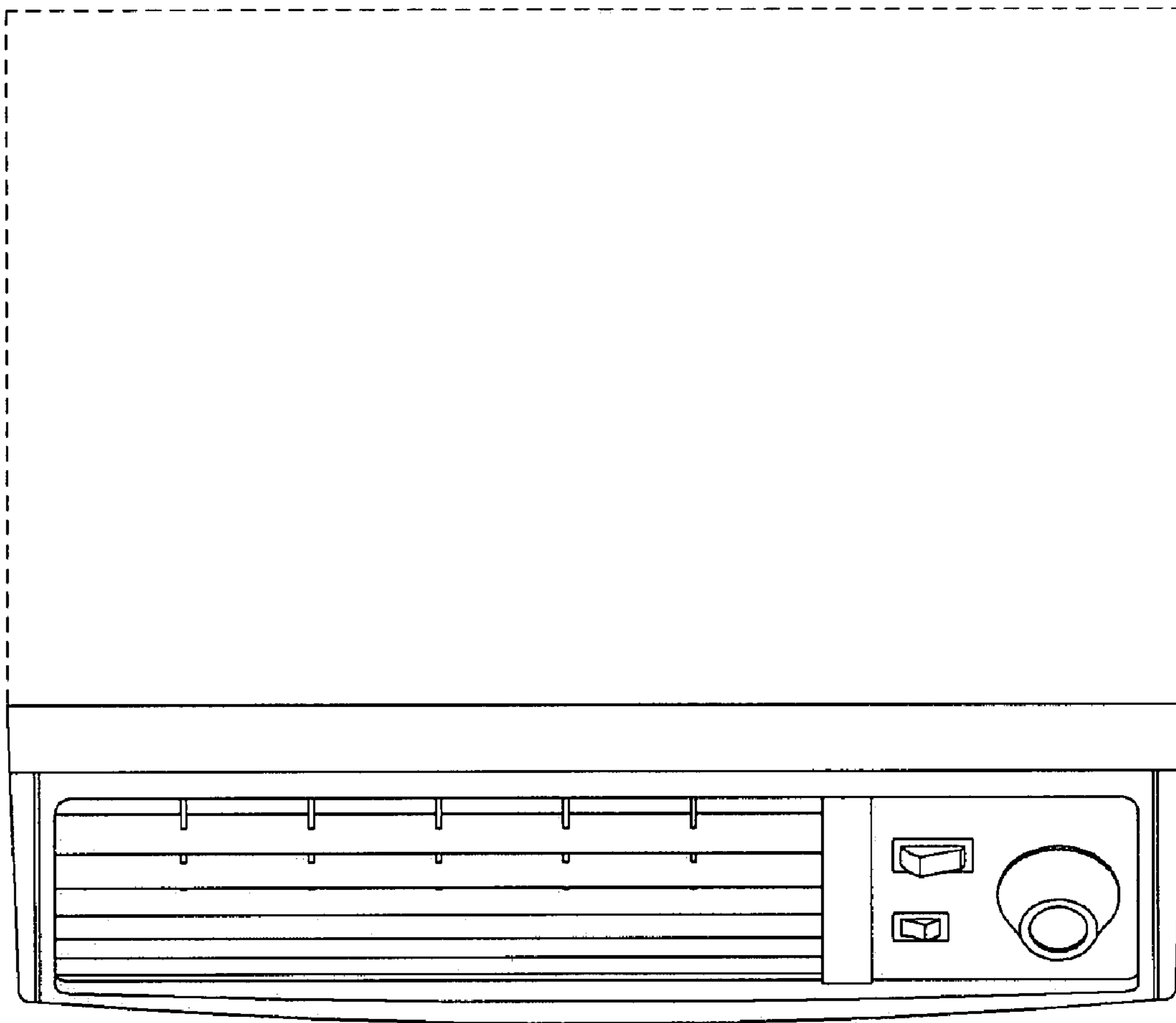


FIG. 6

