



US00D568975S

(12) **United States Design Patent**
Lim

(10) **Patent No.:** **US D568,975 S**

(45) **Date of Patent:** **** May 13, 2008**

(54) **WALL-MOUNTED AIR CONDITIONER**

D558,866 S * 1/2008 Yamamoto D23/351

(75) Inventor: **Sun Young Lim**, Seoul (KR)

* cited by examiner

(73) Assignee: **Samsung Electronics Co., Ltd.**,
Suwon-Si (KR)

Primary Examiner—Brian N Vinson
(74) *Attorney, Agent, or Firm*—Staas & Halsey LLP

(**) Term: **14 Years**

(57) **CLAIM**

(21) Appl. No.: **29/287,245**

The ornamental design for a wall-mounted air conditioner,
as shown and described.

(22) Filed: **Jul. 13, 2007**

(30) **Foreign Application Priority Data**

DESCRIPTION

Jan. 17, 2007 (KR) 30-2007-0002269

FIG. 1 is a perspective view of a wall-mounted air conditioner showing my new design;

(51) **LOC (8) Cl.** **23-04**

FIG. 2 is a front view of the wall-mounted air conditioner thereof;

(52) **U.S. Cl.** **D23/351**

(58) **Field of Classification Search** D23/351-354;
312/236; 62/259.1, 259.4, 262-263, 304;
454/330-331, 349-350

FIG. 3 is a rear view of the wall-mounted air conditioner thereof;

See application file for complete search history.

FIG. 4 is a left-side view of the wall-mounted air conditioner thereof;

(56) **References Cited**

FIG. 5 is a right-side view of the wall-mounted air conditioner thereof;

U.S. PATENT DOCUMENTS

- D529,595 S * 10/2006 Ueno et al. D23/351
- D536,430 S * 2/2007 Miyake et al. D23/351
- D550,822 S * 9/2007 Shimizu D23/351
- D553,723 S * 10/2007 Nakamura et al. D23/351
- D553,726 S * 10/2007 Niki D23/351
- D556,879 S * 12/2007 Lee D23/351

FIG. 6 is a top plan view of the wall-mounted air conditioner thereof; and,

FIG. 7 is a bottom plan view of the wall-mounted air conditioner thereof.

1 Claim, 4 Drawing Sheets

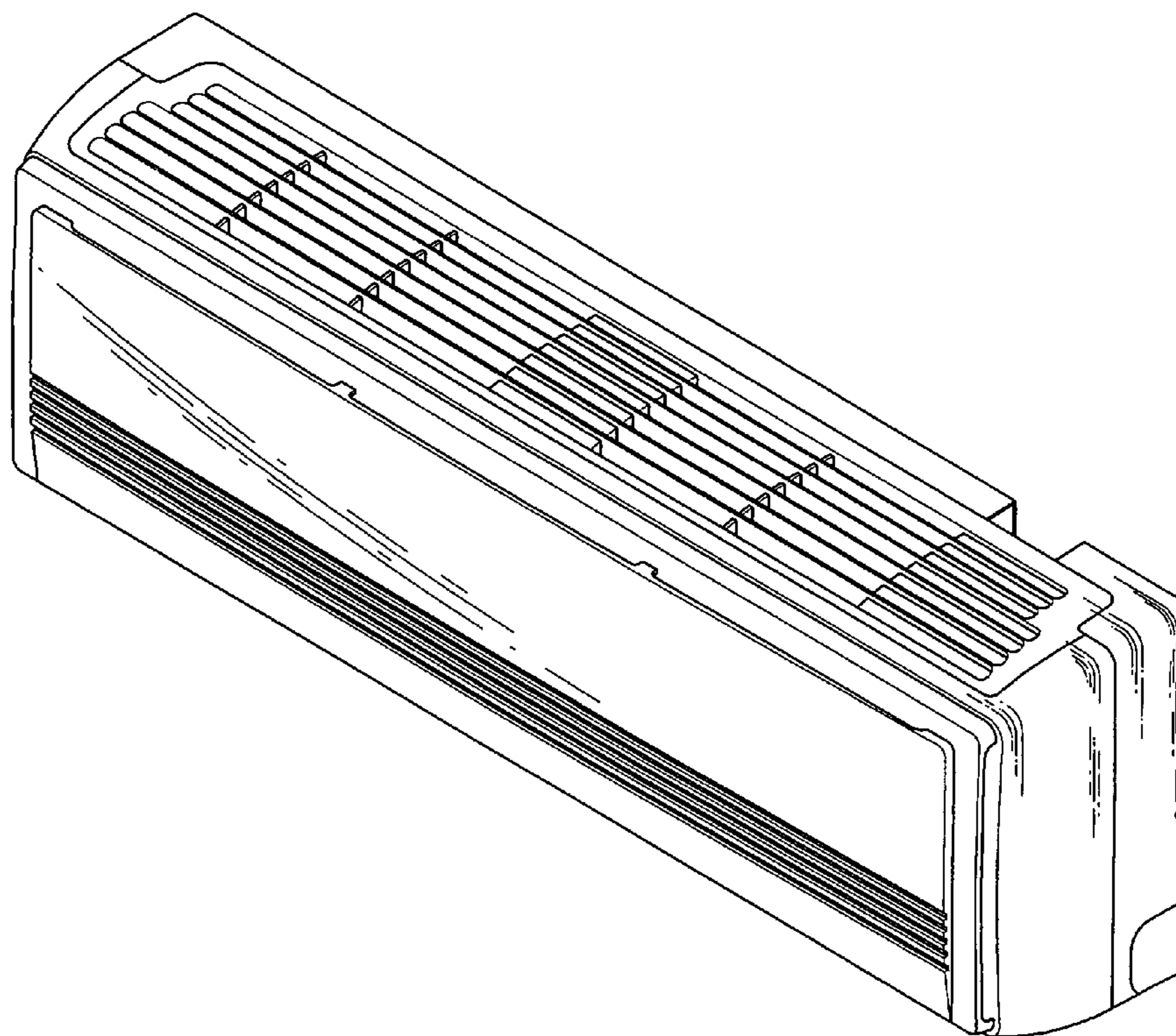


FIG. 1

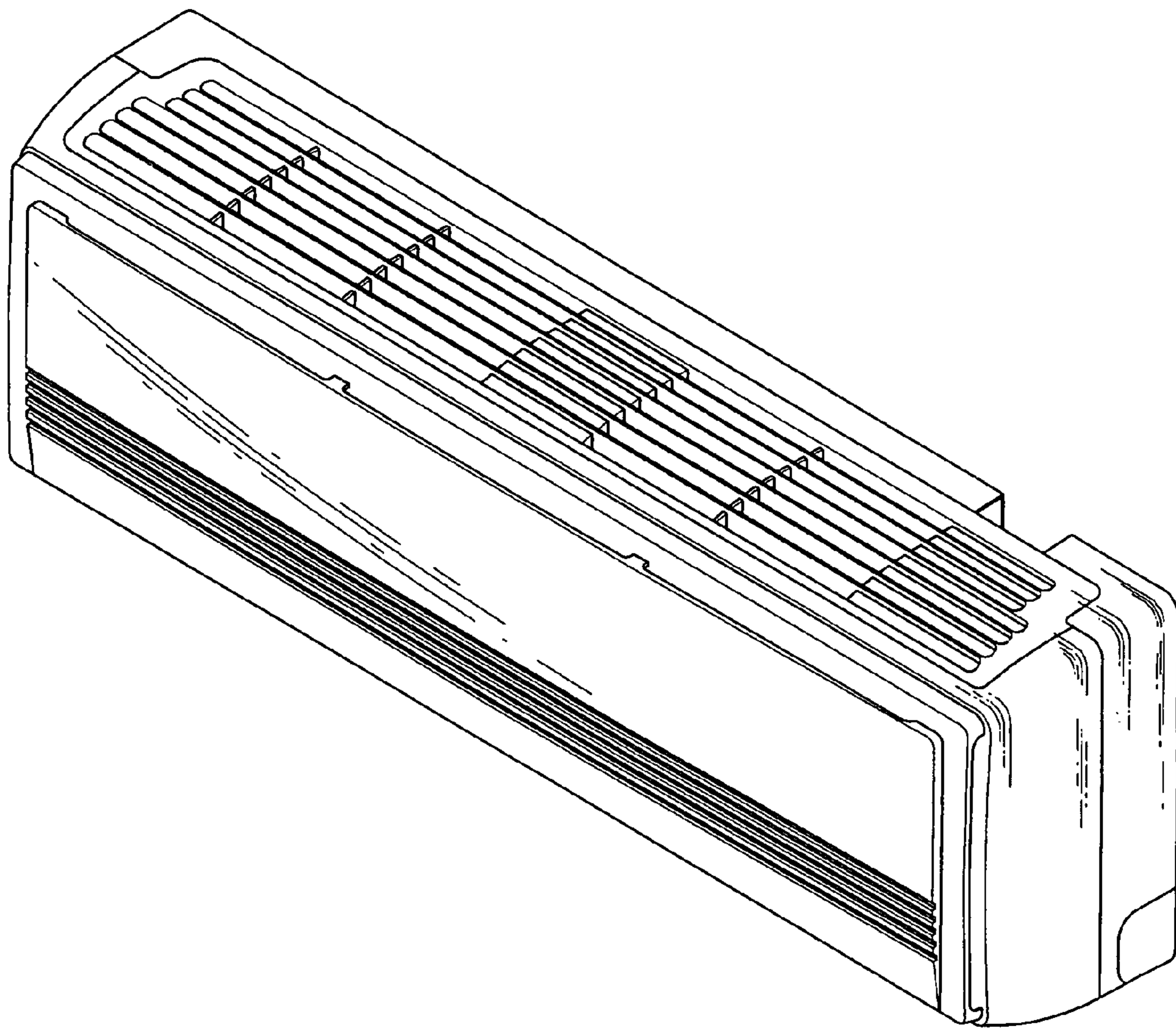


FIG. 2

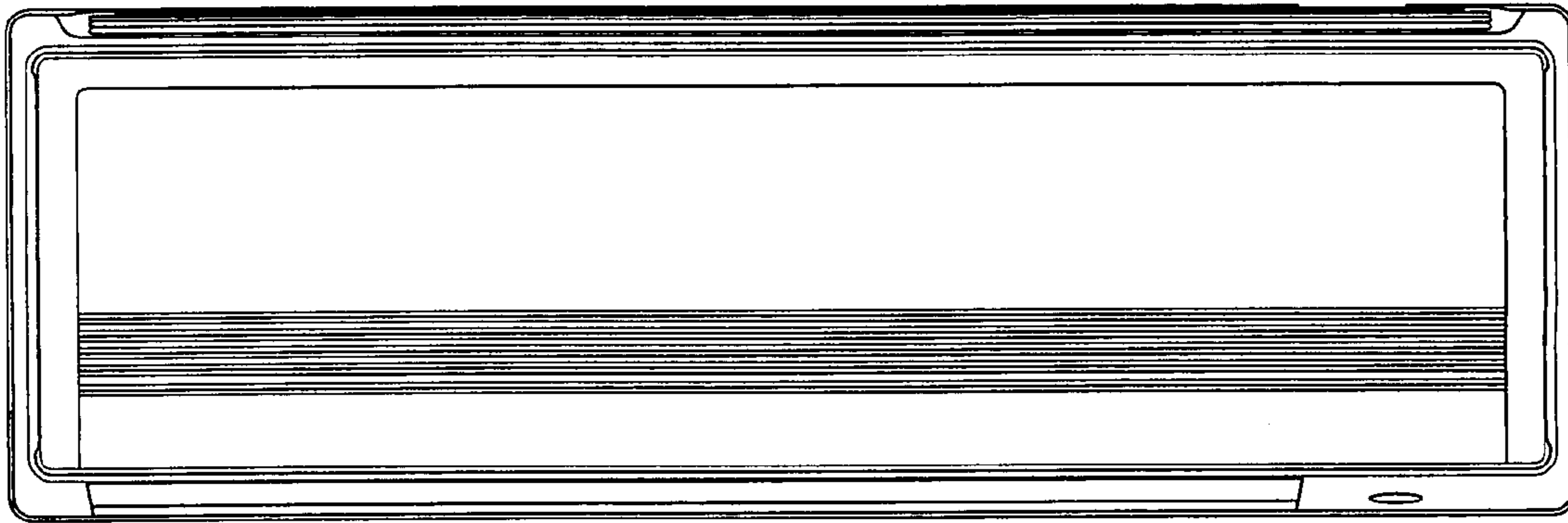


FIG. 3

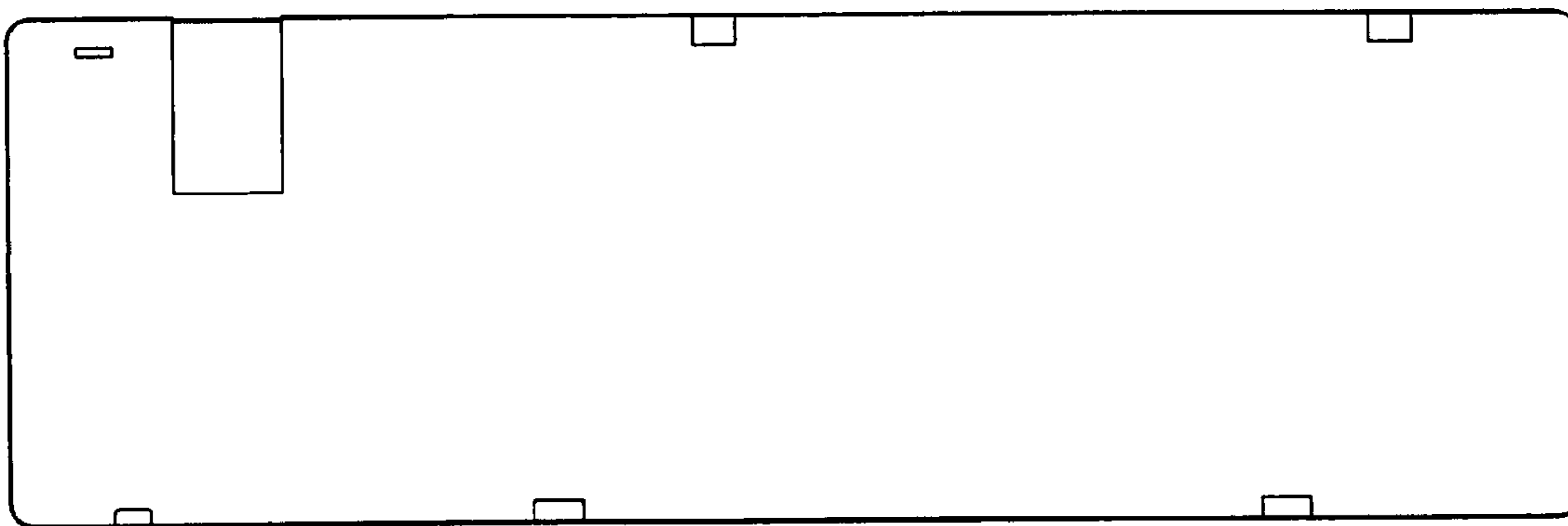


FIG. 4

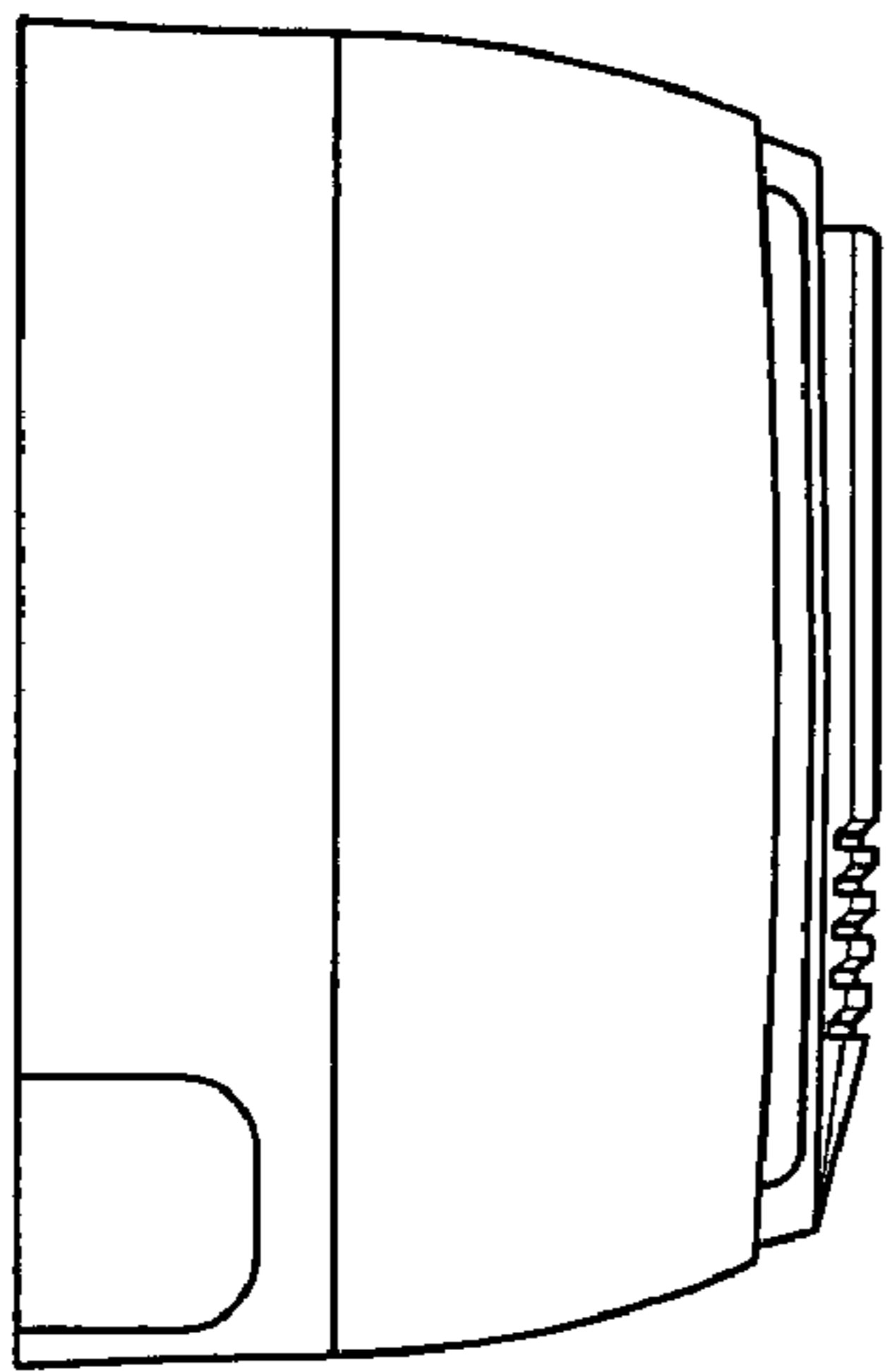


FIG. 5

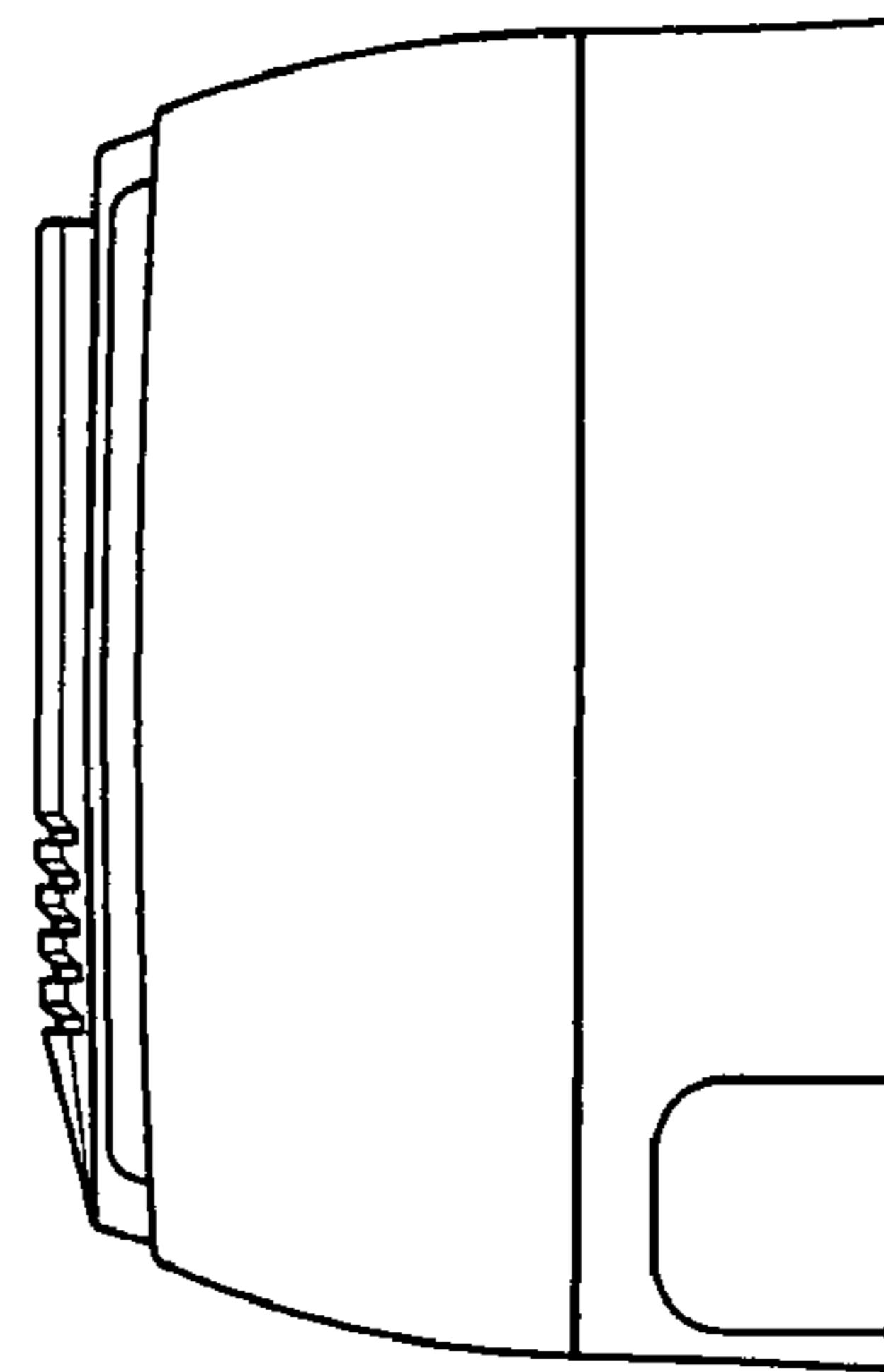


FIG. 6

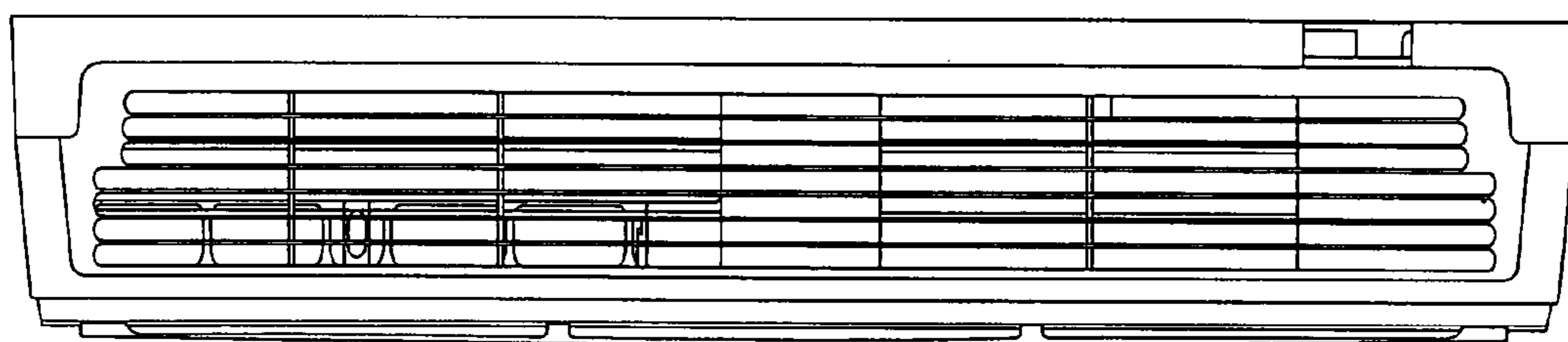


FIG. 7

