



US00D568972S

(12) **United States Design Patent**
Booth

(10) **Patent No.:** **US D568,972 S**

(45) **Date of Patent:** **** May 13, 2008**

(54) **SINK**

(75) Inventor: **Shawn J. Booth**, Sheboygan, WI (US)

(73) Assignee: **Kohler Co.**, Kohler, WI (US)

(**) Term: **14 Years**

(21) Appl. No.: **29/279,686**

(22) Filed: **May 4, 2007**

(51) **LOC (8) Cl.** **23-02**

(52) **U.S. Cl.** **D23/284**

(58) **Field of Classification Search** D23/271–274,
D23/284–293.1, 303, 308; 4/619, 624, 661
See application file for complete search history.

(56) **References Cited**

U.S. PATENT DOCUMENTS

2,315,928 A	4/1943	Brack	
D183,047 S	* 6/1958	Helmer D23/290
D397,213 S	8/1998	Bonnell	
D494,257 S	8/2004	Moran et al.	
D496,441 S	9/2004	Moran et al.	
D501,041 S	1/2005	Moran et al.	
D529,148 S	9/2006	Douglass	

OTHER PUBLICATIONS

Figs. 8.1–8.3, Curvet.
Kohler Co. “Entree” tile-in kitchen sink with five-hole faucet
drilling. HomePortfolio.com online catalog. Copyright 1997-2007
HomePortfolio Inc.

* cited by examiner

Primary Examiner—Robert A. Delehanty
(74) *Attorney, Agent, or Firm*—Quarles & Brady LLP

(57) **CLAIM**

The ornamental design for a sink, as shown and described.

DESCRIPTION

In a preferred embodiment, the nature of this product is as a plumbing fixture primarily useful for washing various objects.

FIG. 1 is a right, top, front perspective view of a sink according to my new design;

FIG. 2 is a top plan view thereof;

FIG. 3 is a front elevational view thereof;

FIG. 4 is a rear elevational view thereof;

FIG. 5 is a right side elevational view thereof;

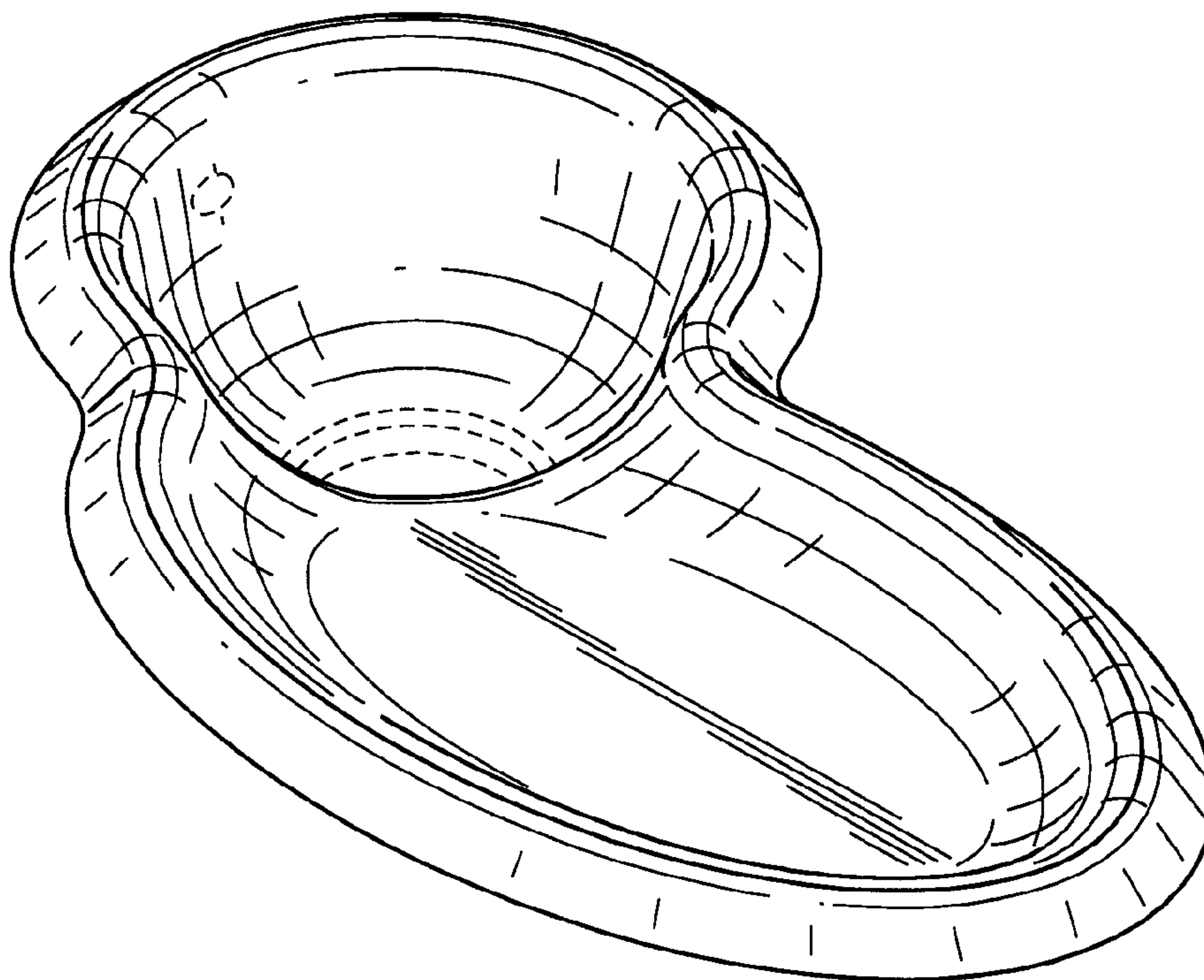
FIG. 6 is a left side elevational view thereof;

FIG. 7 is a bottom plan view thereof; and,

FIG. 8 is a left, top, front perspective view of an alternative embodiment of my design, the top plan, front elevational, rear elevational, right side elevational, left side elevational and bottom plan views thereof being mirror images of FIGS. 2–7 above.

The broken line representations in the figures are for the purpose of illustration only, and form no part of the claimed design.

1 Claim, 4 Drawing Sheets



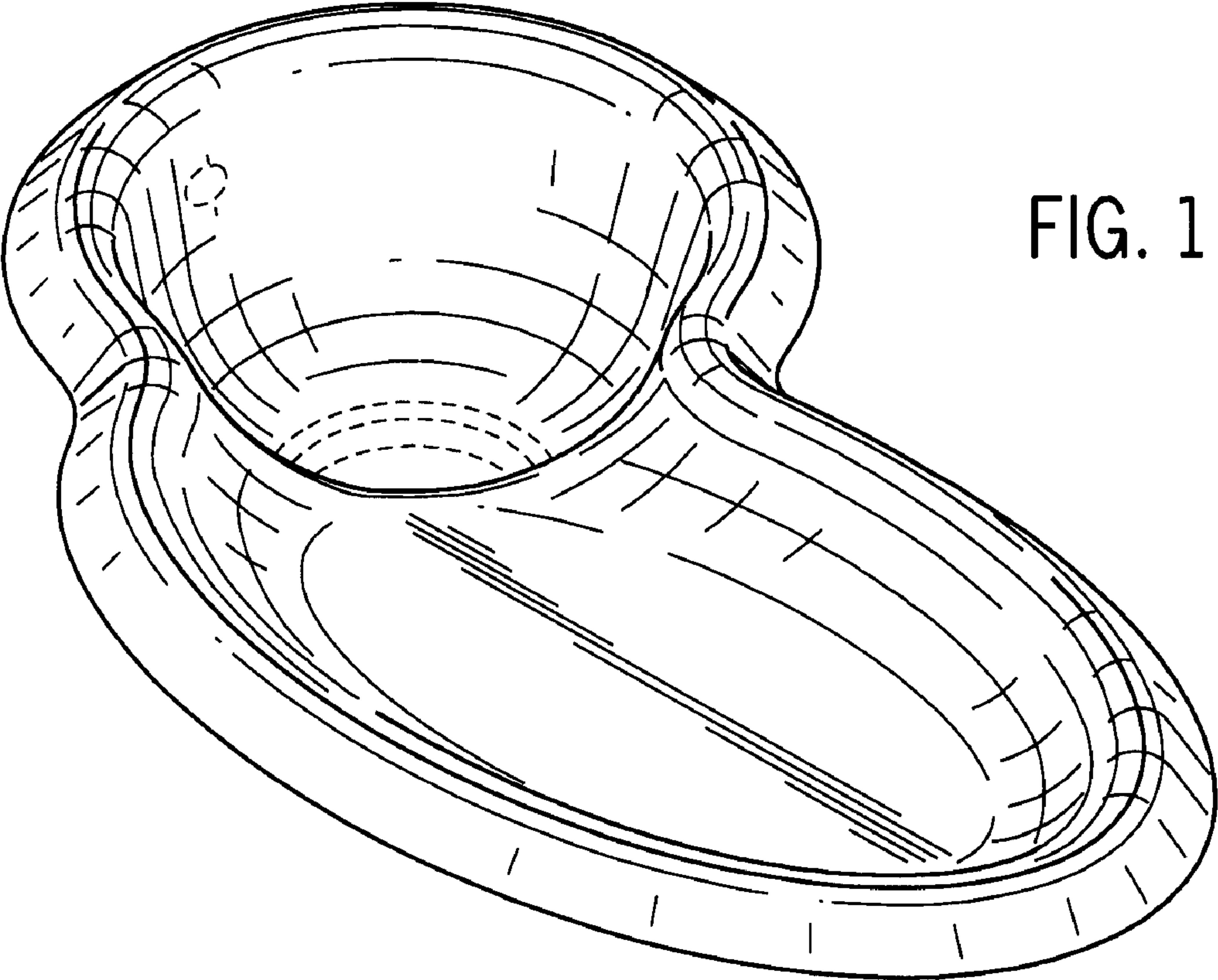


FIG. 1

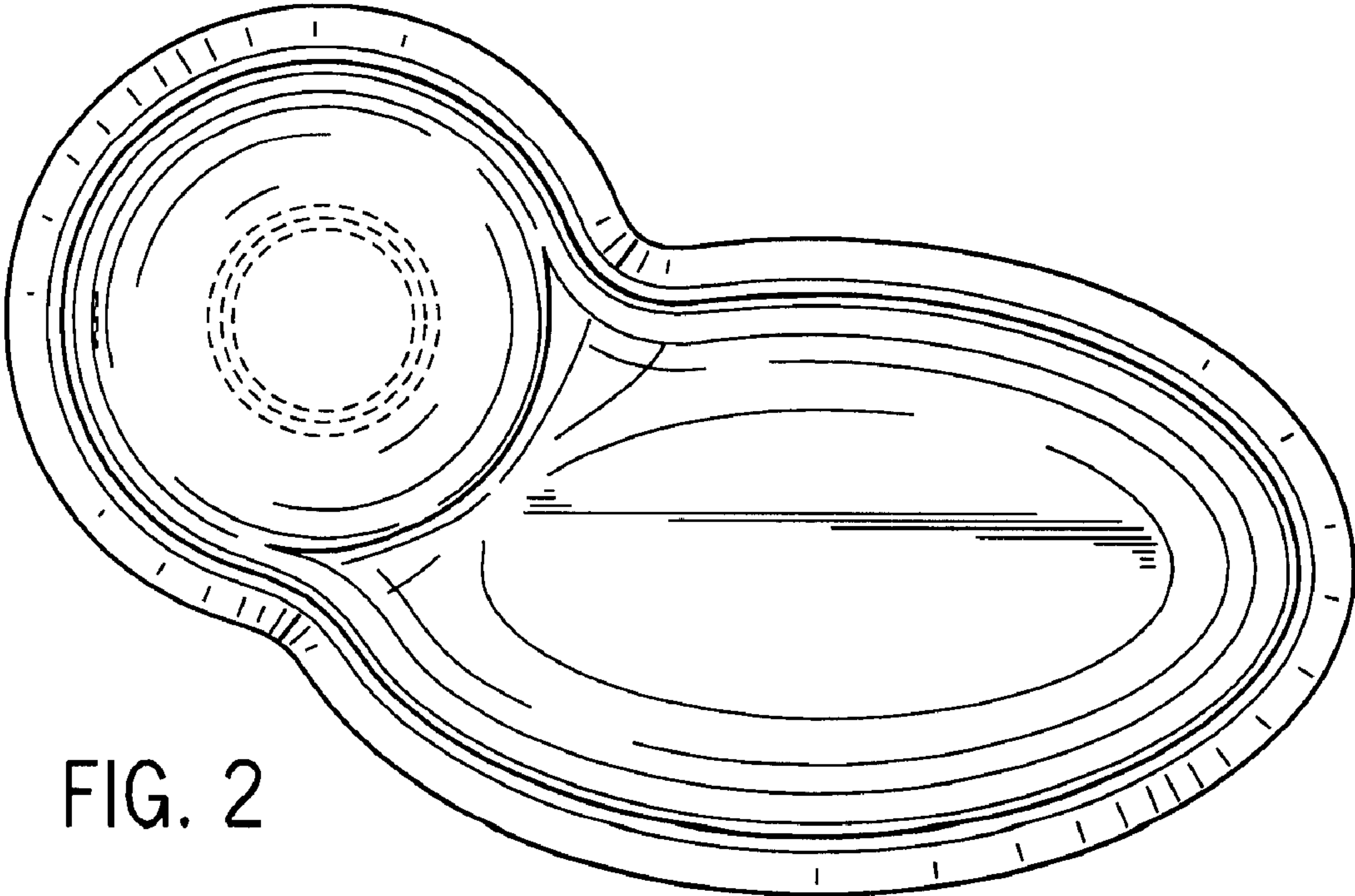


FIG. 2

FIG. 3

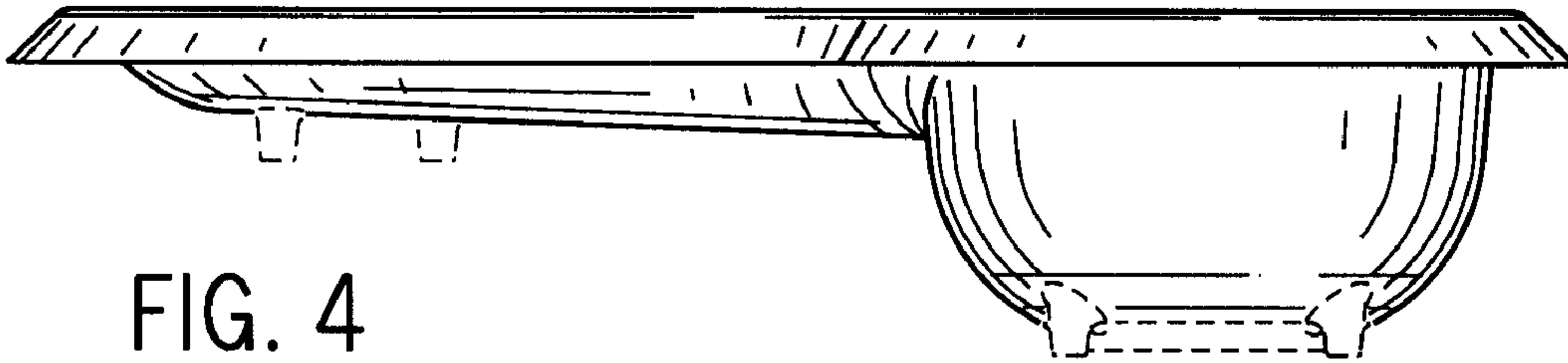
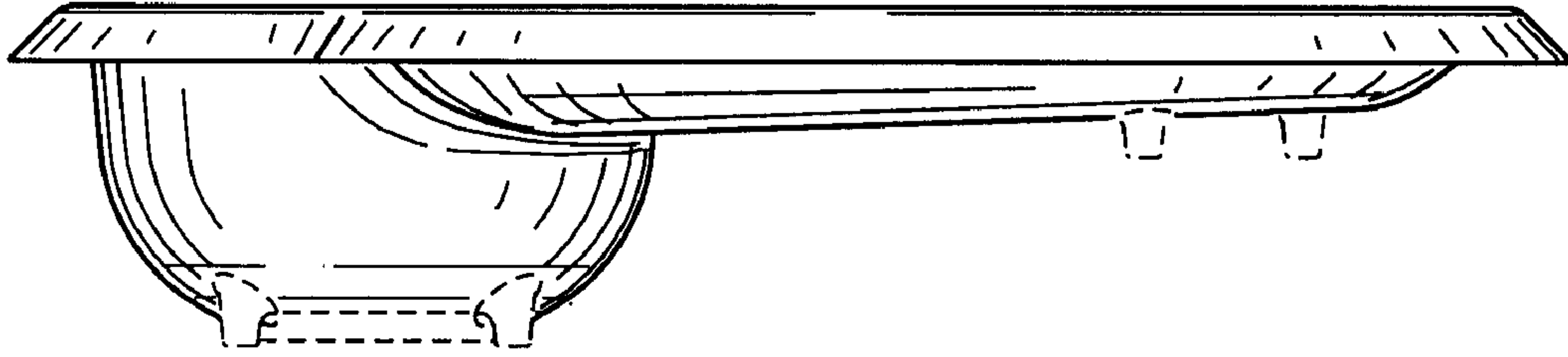


FIG. 4

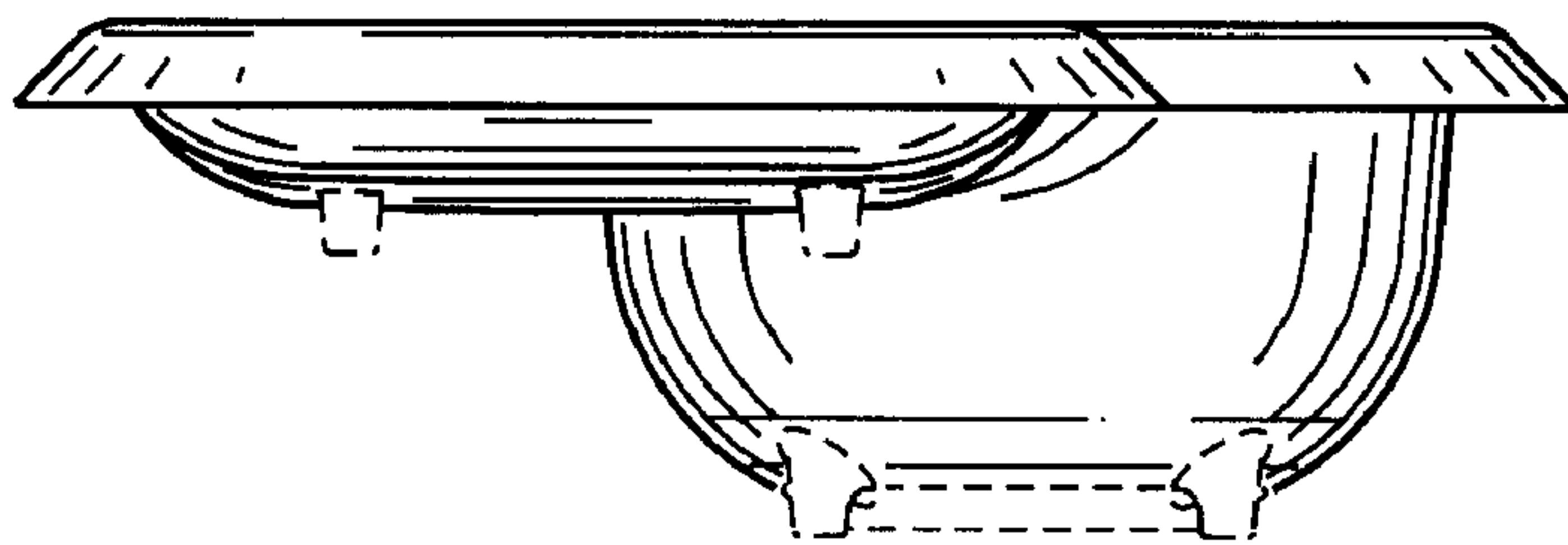


FIG. 5

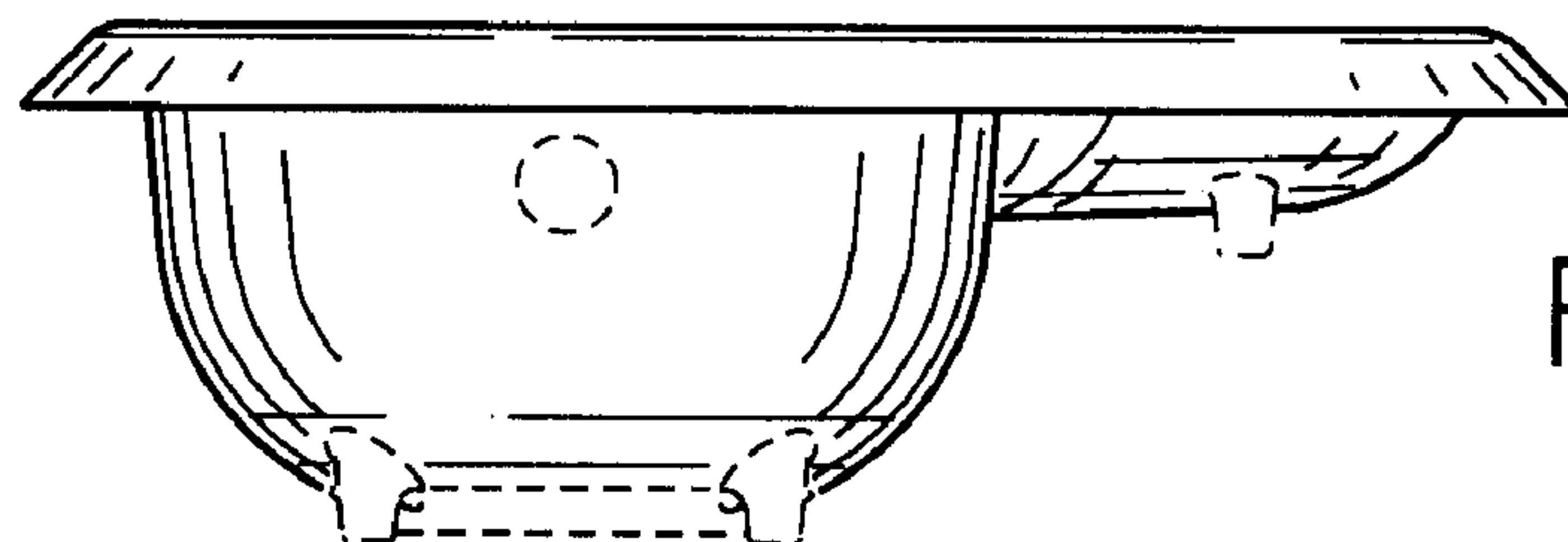


FIG. 6

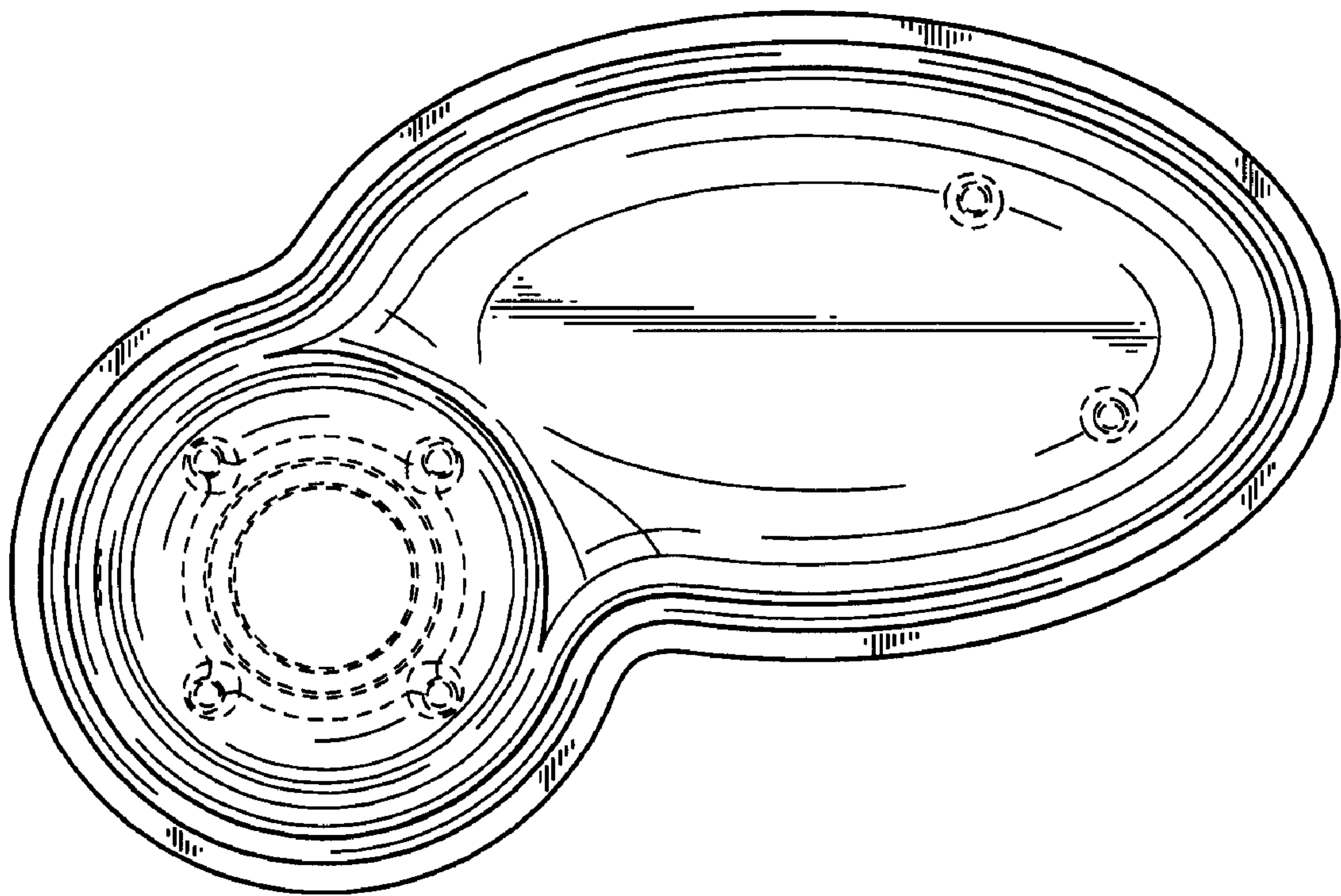


FIG. 7

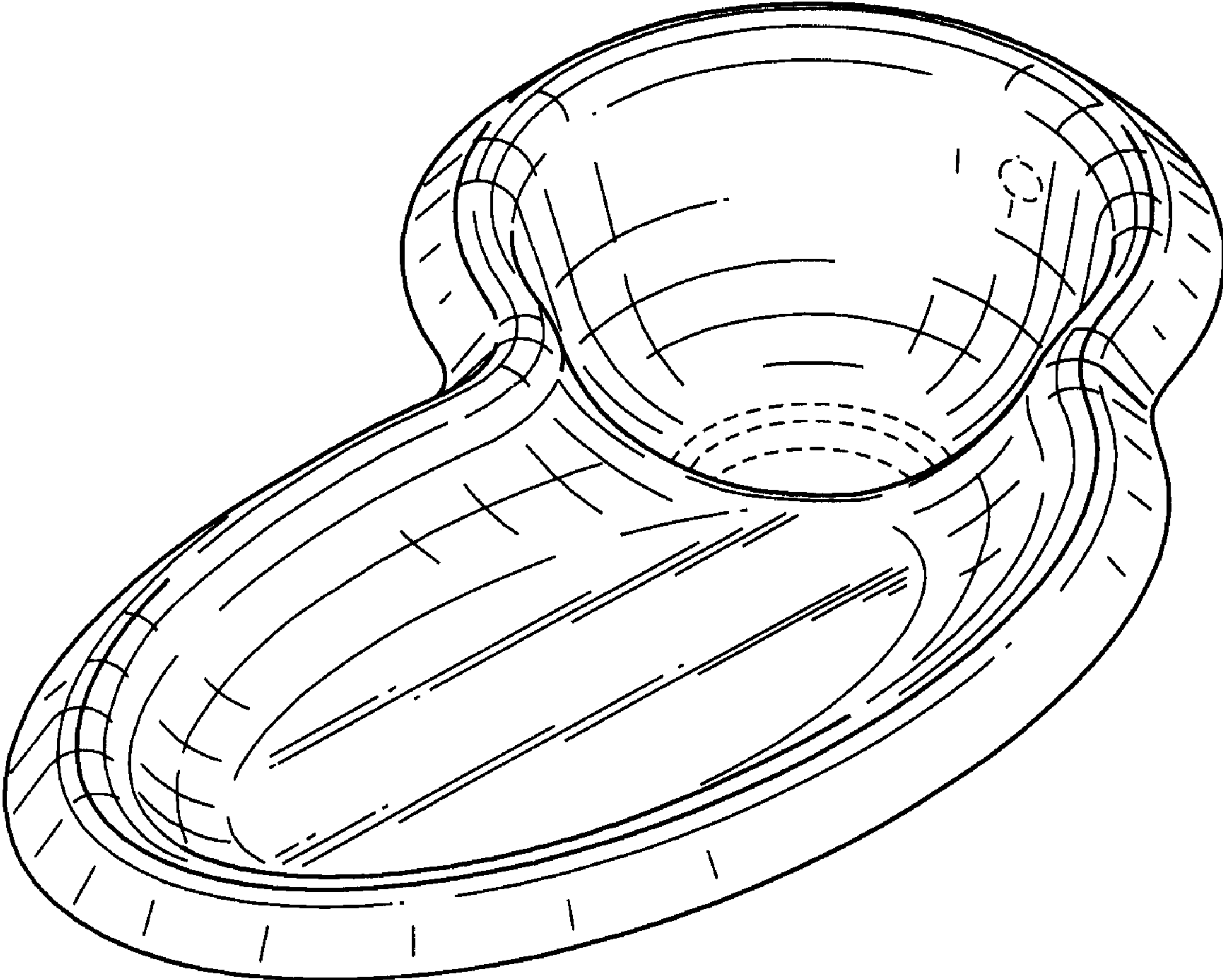


FIG. 8