



US00D568970S

(12) **United States Design Patent**
Gibb et al.

(10) **Patent No.:** **US D568,970 S**

(45) **Date of Patent:** **** May 13, 2008**

(54) **PIPE COUPLING**

(75) Inventors: **John Gibb**, Beeton (CA); **Douglas R. Dole**, Whitehouse Station, NJ (US); **Michael V. Porter**, Easton, PA (US); **William A. Nagle**, Laureldale, PA (US)

(73) Assignee: **Victaulic Company**, Easton, PA (US)

(**) Term: **14 Years**

(21) Appl. No.: **29/296,146**

(22) Filed: **Oct. 15, 2007**

Related U.S. Application Data

(62) Division of application No. 29/232,362, filed on Jun. 17, 2005, now Pat. No. Des. 558,307.

(51) **LOC (8) Cl.** **23-01**

(52) **U.S. Cl.** **D23/262**

(58) **Field of Classification Search** D23/262–265;
285/1, 53, 104–105, 404, 112, 340, 367, 373,
285/915; 403/300, 291; D8/396; 411/5,
411/10

See application file for complete search history.

(56) **References Cited**

U.S. PATENT DOCUMENTS

| | | | |
|-------------|---------|-------------------|---------|
| 1,851,574 A | 3/1932 | Fiederlein | 285/332 |
| 1,905,324 A | 4/1933 | Waters | 285/104 |
| 1,930,194 A | 10/1933 | Dillon | 285/104 |
| 2,020,554 A | 11/1935 | Johnson | 285/383 |
| D142,057 S | 8/1945 | Baxter | D23/265 |
| D168,928 S | 3/1953 | English | D23/265 |
| 2,650,115 A | 8/1953 | Hall | 285/105 |
| 2,752,173 A | 6/1956 | Krooss | 285/129 |
| 3,078,108 A | 2/1963 | Smith | 285/104 |
| 4,218,080 A | 8/1980 | Kendrick | 285/347 |
| 4,408,788 A | 10/1983 | Beukema | 285/419 |
| 4,417,755 A | 11/1983 | Gittleman | 285/373 |
| D287,532 S | 12/1986 | Jones et al. | D23/265 |

| | | | |
|-----------------|---------|----------------------|---------|
| D298,802 S | 12/1988 | Tekirian | D8/396 |
| 4,896,902 A | 1/1990 | Weston | 285/93 |
| 4,966,395 A | 10/1990 | Hendrickson | 285/12 |
| 5,058,931 A | 10/1991 | Bowsher | 285/112 |
| 5,911,446 A | 6/1999 | McLennan et al. | 285/104 |
| 6,076,861 A | 6/2000 | Ikeda | 285/112 |
| 6,312,025 B1 | 11/2001 | Wolfsdorf | 285/369 |
| 6,626,466 B1 | 9/2003 | Dole | 285/112 |
| 7,090,259 B2 | 8/2006 | Dole | 285/367 |
| 2005/0242585 A1 | 11/2005 | Dole | 285/367 |

OTHER PUBLICATIONS

U.S. Appl. No. 29/232,362, filed Jun. 17, 2005, (Gibb et al).
U.S. Appl. No. 29/232,359, filed Jun. 17, 2005, (Gibb et al).
Asian Sources Hardwares by CATIC Shenzhen Corp. dated Apr. 2005 (2 pages).

Primary Examiner—Louis S Zarfaz

Assistant Examiner—Eric L Goodman

(74) *Attorney, Agent, or Firm*—Synnestvedt & Lechner LLP

(57) **CLAIM**

We claim the ornamental design for a pipe coupling, as shown and described.

DESCRIPTION

FIG. 1 is a perspective view of an embodiment of our design for a pipe coupling;

FIG. 2 is an end view of the pipe coupling shown in FIG. 1, the opposite end view being identical thereto;

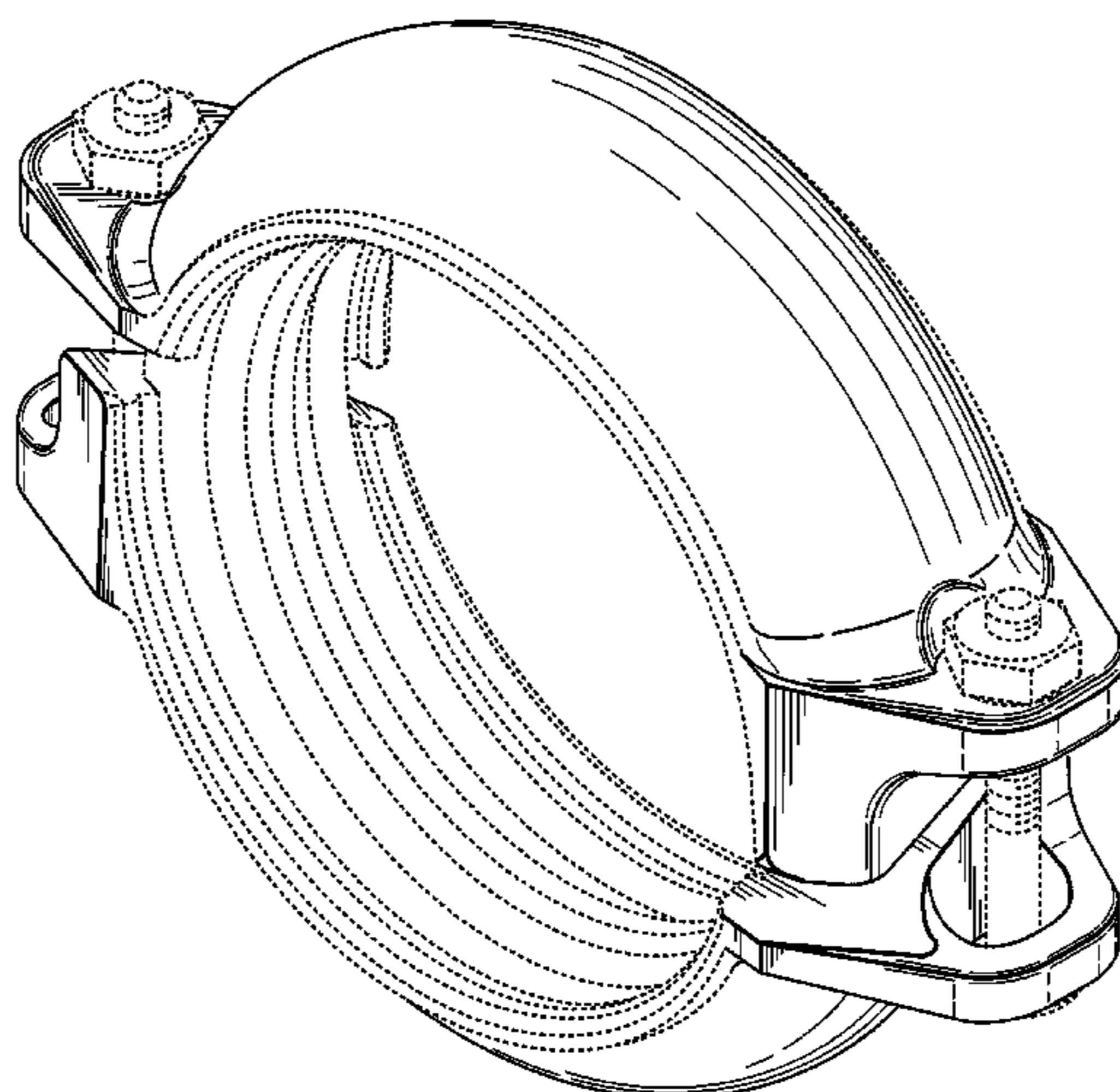
FIG. 3 is a side view of the pipe coupling shown in FIG. 1, the opposite side view being identical thereto;

FIG. 4 is a top view of the pipe coupling shown in FIG. 1; and,

FIG. 5 is a bottom view of the pipe coupling shown in FIG. 1.

The broken lines shown in FIGS. 1–5 are shown for illustrative purposes only and form no part of the claimed design.

1 Claim, 3 Drawing Sheets



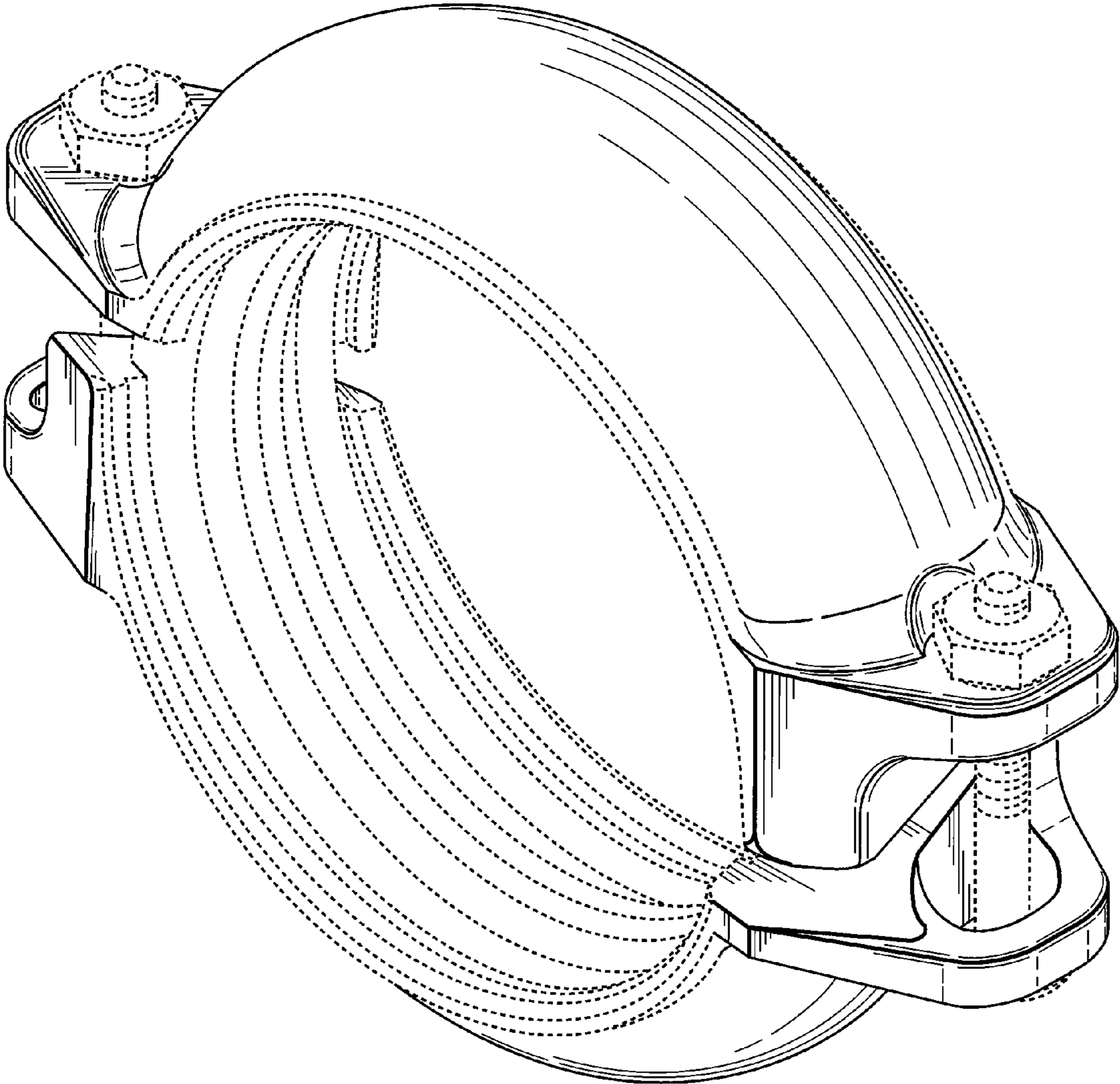


FIG. 1

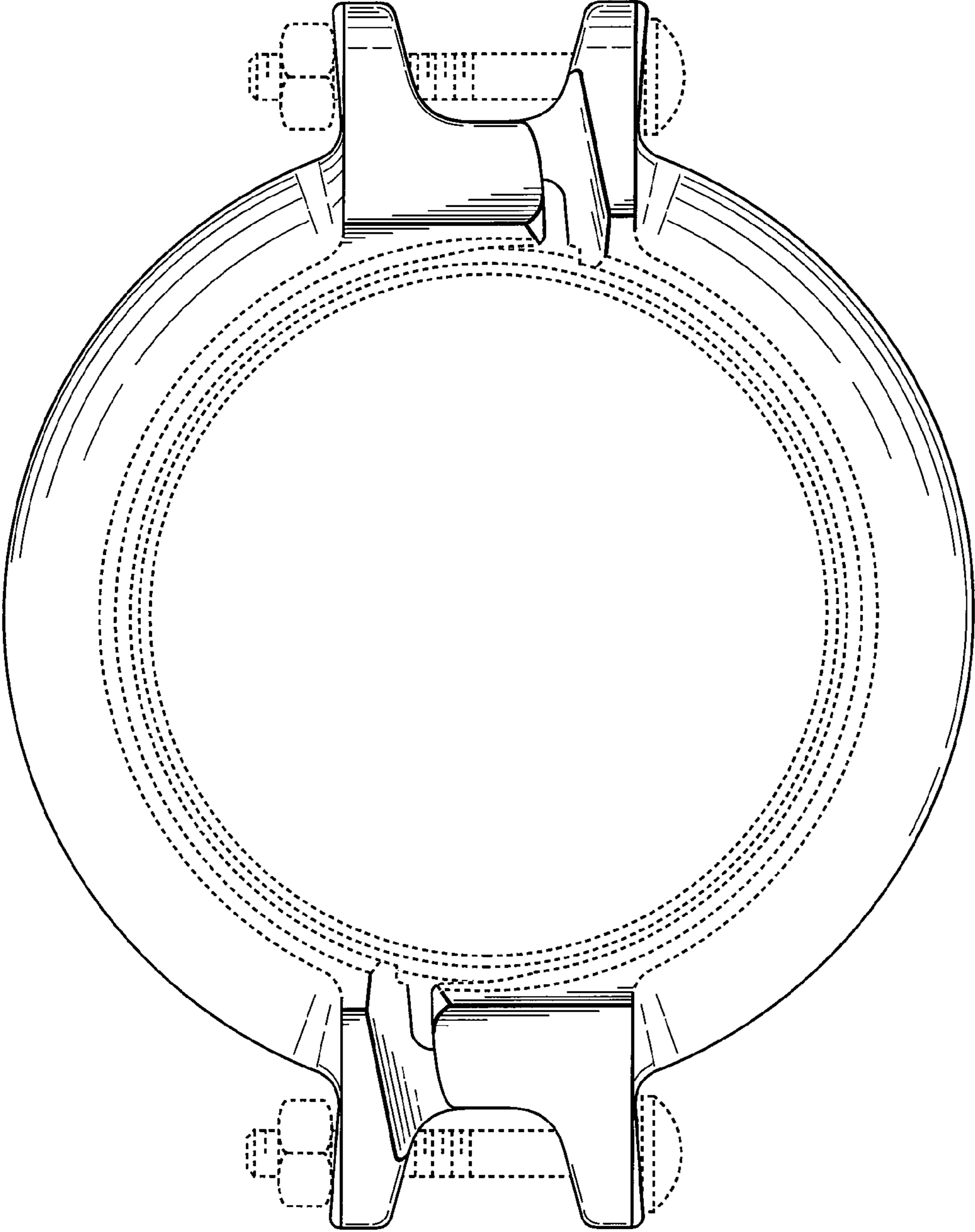


FIG. 2

