

US00D568967S

(12) **United States Design Patent** (10) **Patent No.:** **US D568,967 S**  
**Williams et al.** (45) **Date of Patent:** **\*\* May 13, 2008**

(54) **FAUCET HANDLE**

(75) Inventors: **Emilie Williams**, Fishers, IN (US);  
**Anthony G. Spangler**, Carmel, IN  
(US); **Ashley Spangler**, Kansas City,  
MO (US)

(73) Assignee: **Masco Corporation of Indiana**,  
Indianapolis, IN (US)

(\*\*) Term: **14 Years**

(21) Appl. No.: **29/275,927**

(22) Filed: **Jan. 10, 2007**

(51) **LOC (8) Cl.** ..... **23-02**

(52) **U.S. Cl.** ..... **D23/250**

(58) **Field of Classification Search** ..... D23/250-257,  
D23/238-243, 244-249; 4/675-678; D8/300,  
D8/307-308, 310-312, 321; D6/550; 137/801;  
16/110.1, 441

See application file for complete search history.

(56) **References Cited**

U.S. PATENT DOCUMENTS

D265,229 S \* 6/1982 Paul ..... D23/242

\* cited by examiner

*Primary Examiner*—Robert A Delehanty

(74) *Attorney, Agent, or Firm*—Leon E. Redman; Lloyd D.  
Doigan

(57) **CLAIM**

The ornamental design for a faucet handle, as shown and  
described.

**DESCRIPTION**

FIG. 1 is a front perspective view of a faucet handle showing  
our new design;

FIG. 2 is a right side elevational view thereof;

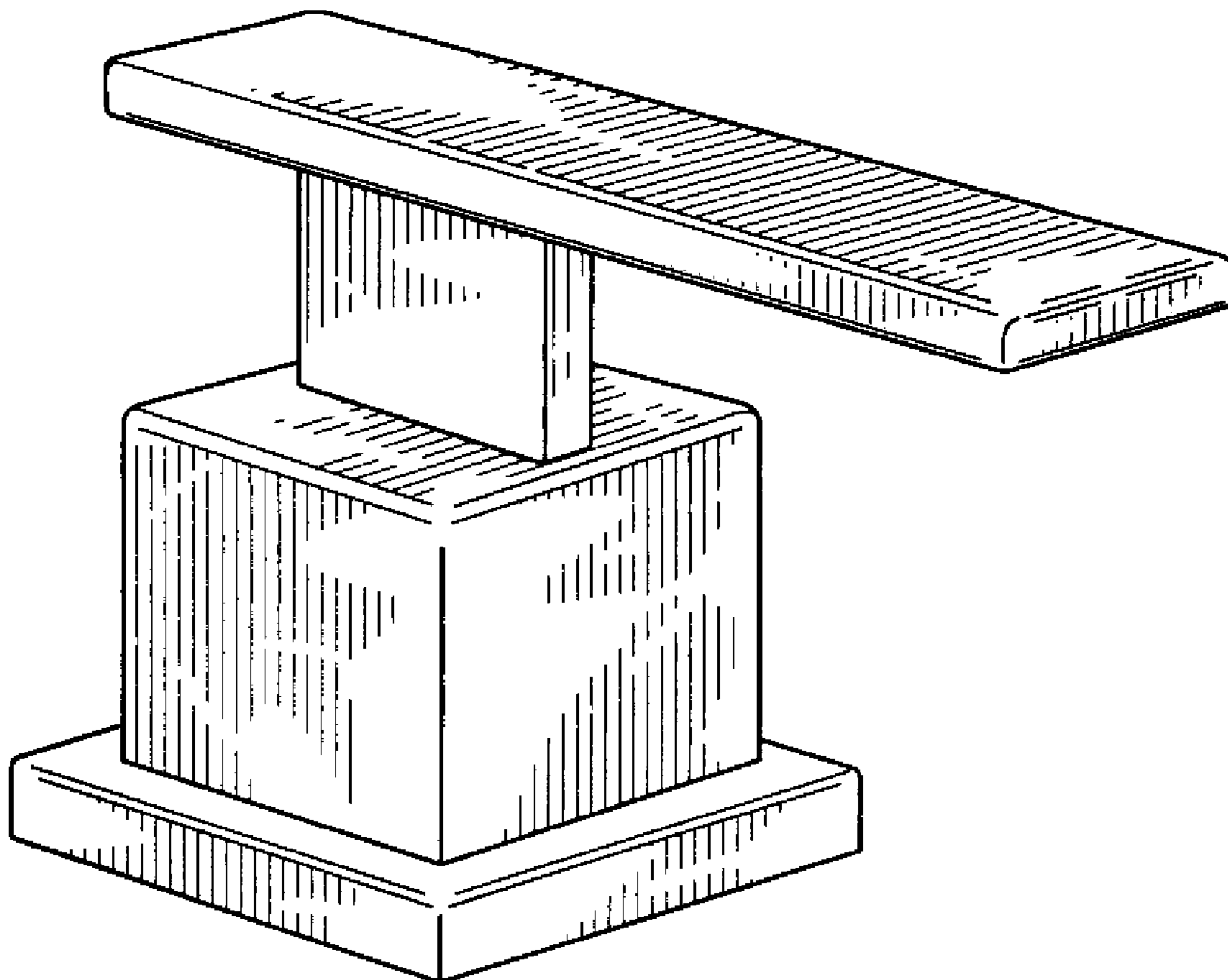
FIG. 3 is a front elevational view thereof;

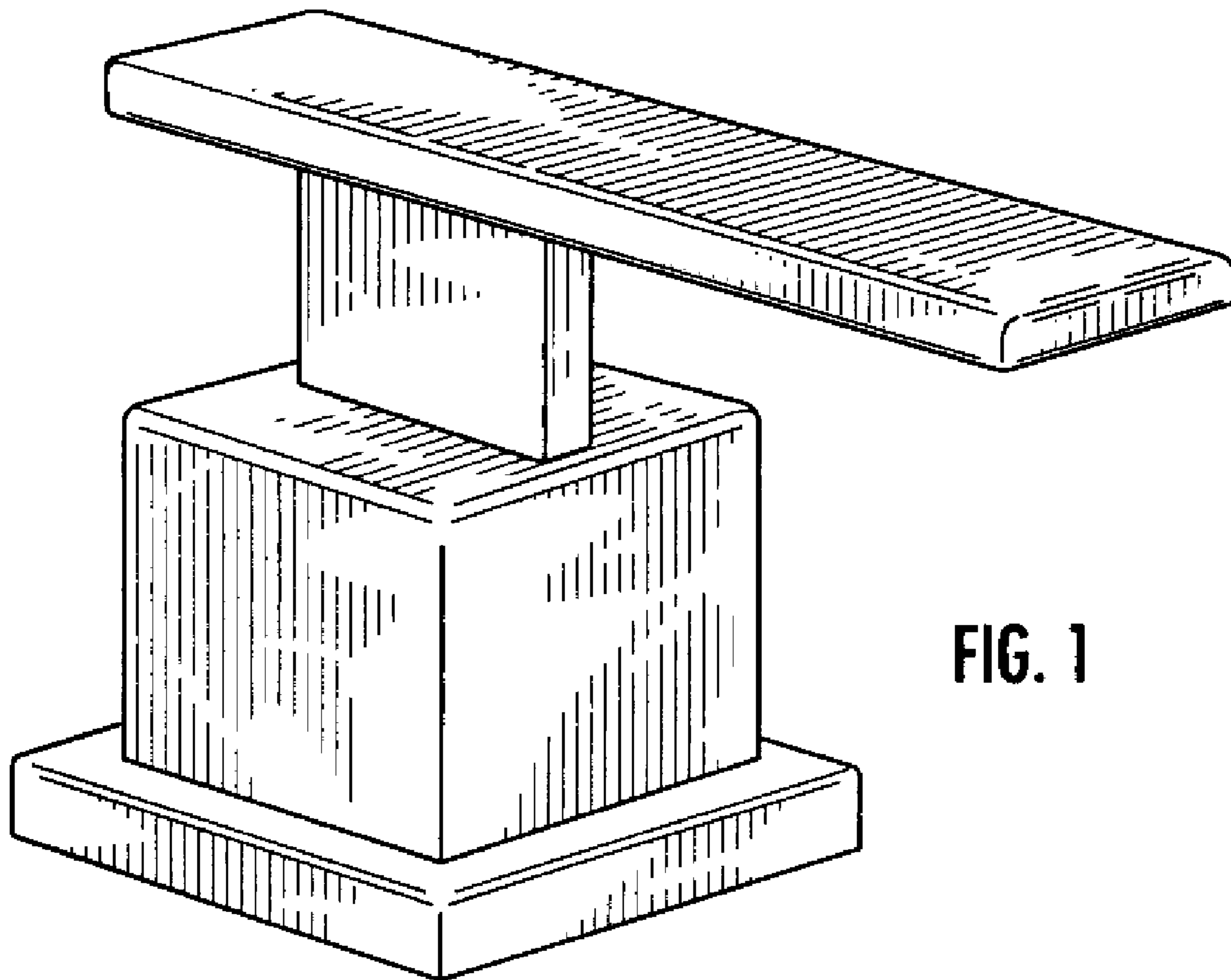
FIG. 4 is a left side elevational view thereof;

FIG. 5 is a rear elevational view thereof; and,

FIG. 6 is a top plan view thereof.

**1 Claim, 4 Drawing Sheets**





**FIG. 1**

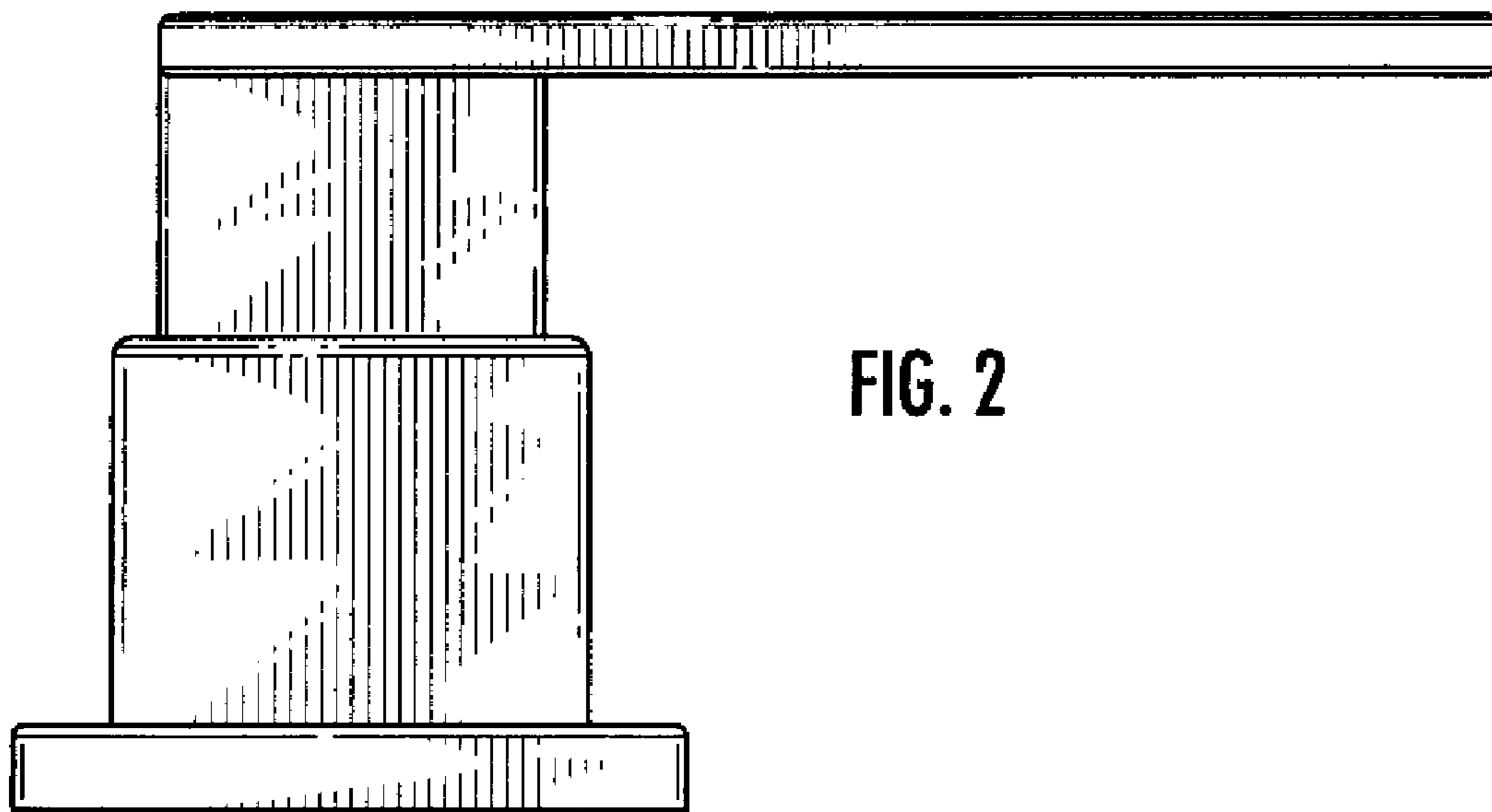


FIG. 2

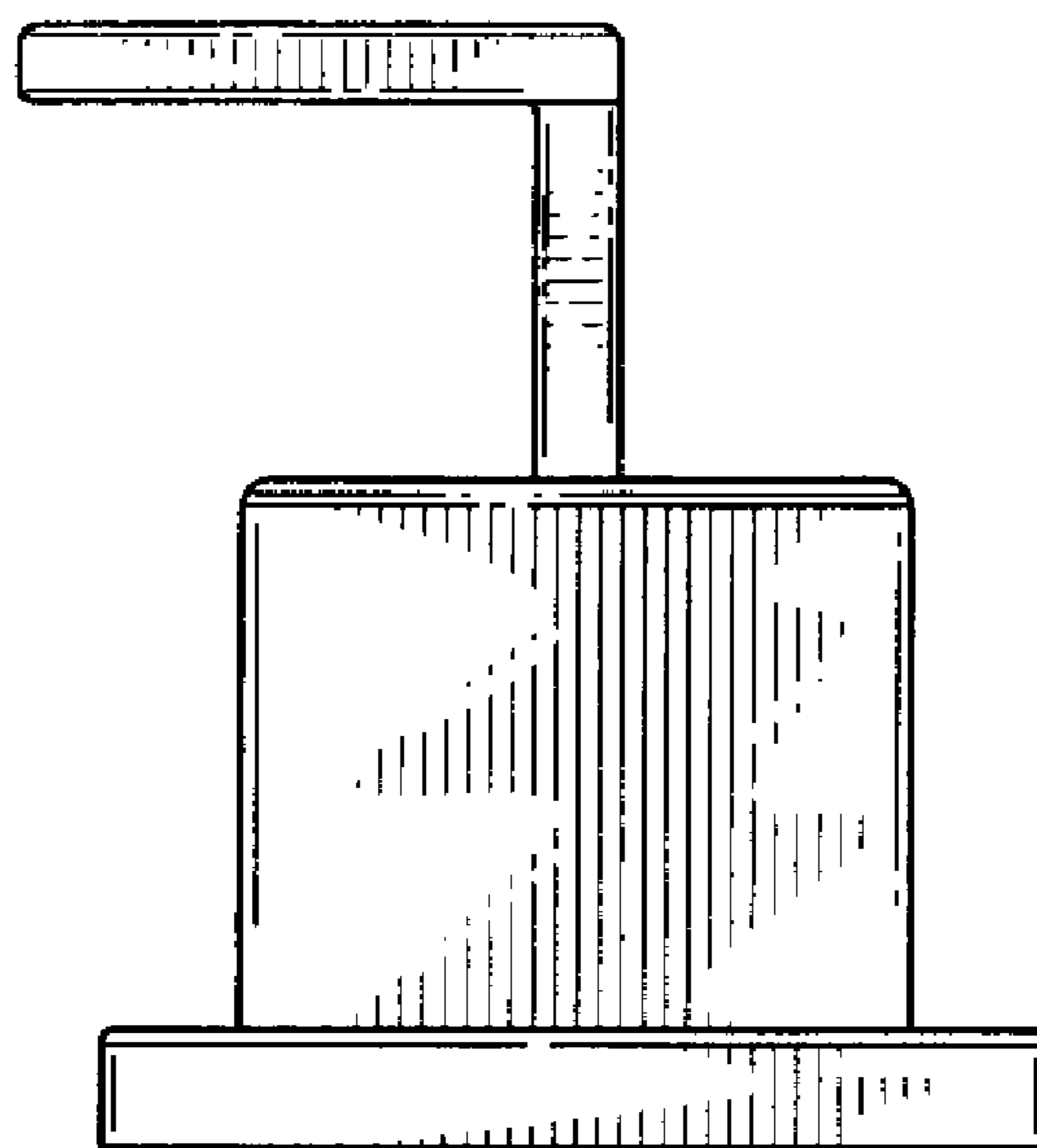
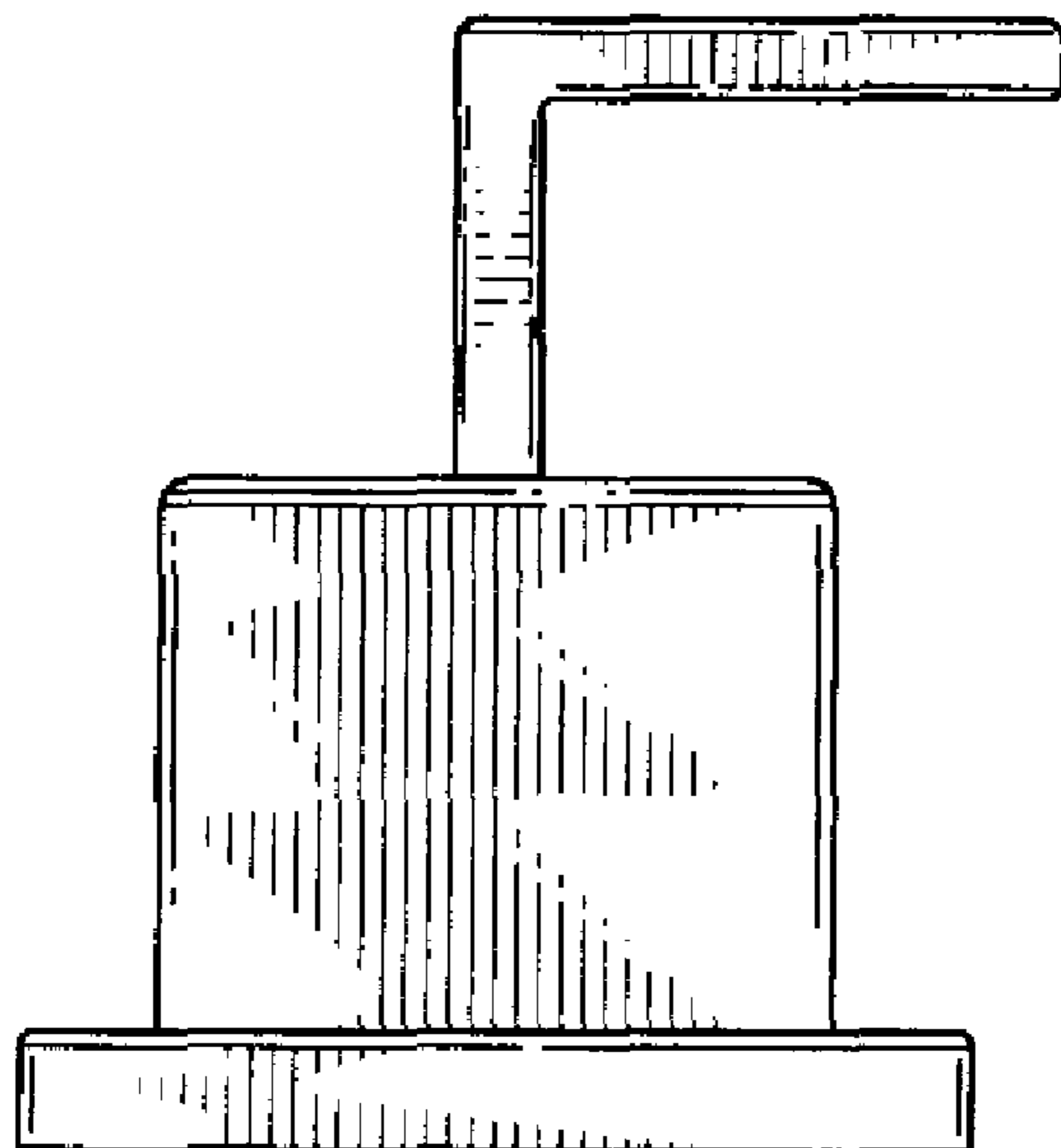
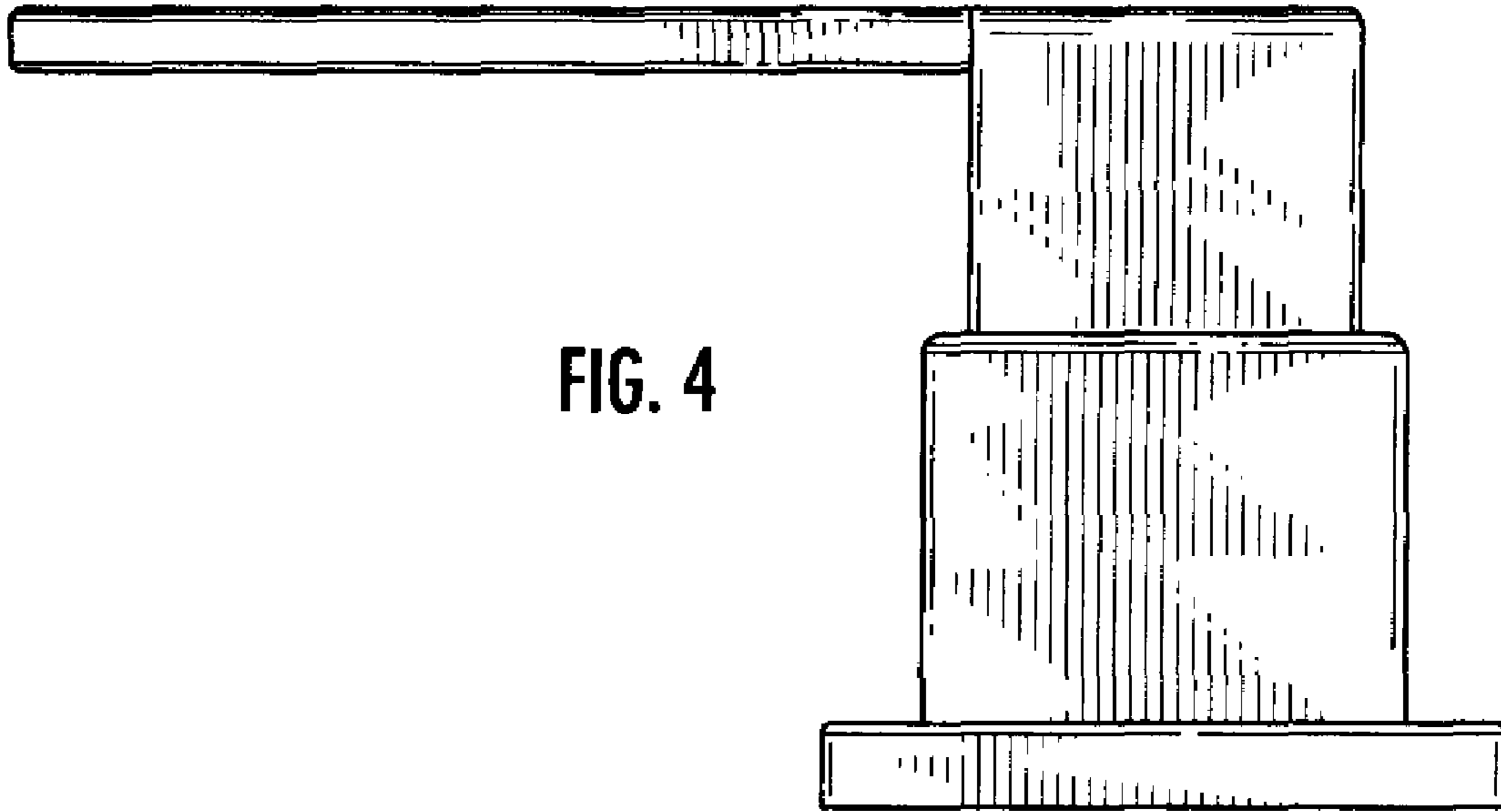


FIG. 3



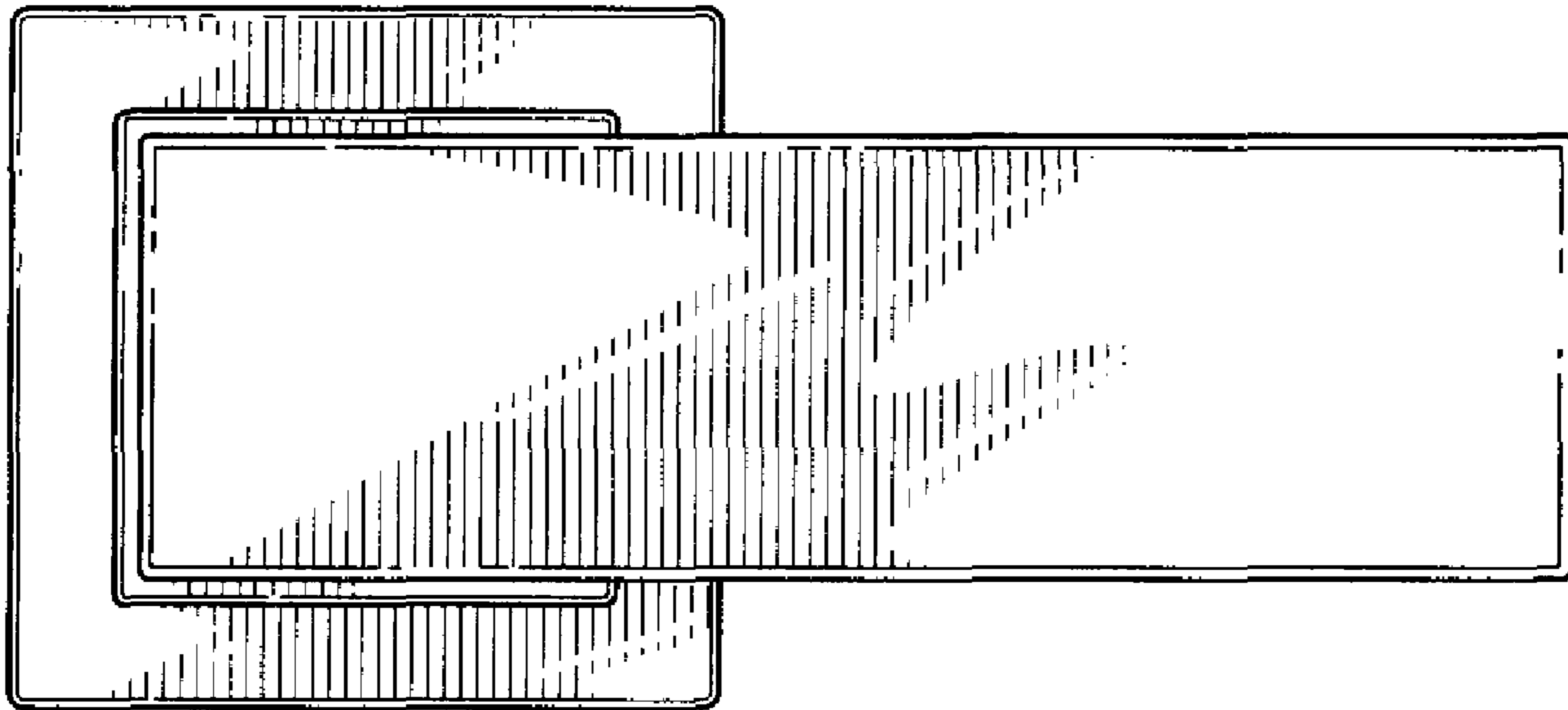


FIG. 6