



US00D568965S

(12) **United States Design Patent**
Johnson

(10) **Patent No.:** **US D568,965 S**

(45) **Date of Patent:** **** May 13, 2008**

(54) **VALVE HOUSING**

(75) Inventor: **Dwight N. Johnson**, Carlsbad, CA (US)

(73) Assignee: **Sloan Valve Company**, Franklin Park, IL (US)

(**) Term: **14 Years**

(21) Appl. No.: **29/288,113**

(22) Filed: **May 31, 2007**

(51) **LOC (8) Cl.** **23-01**

(52) **U.S. Cl.** **D23/233**

(58) **Field of Classification Search** D23/233,
D23/237, 244–250, 260; 251/15, 17, 38,
251/40, 236, 243; 137/549; 4/305, 422,
4/DIG. 3, 249

See application file for complete search history.

(56) **References Cited**

U.S. PATENT DOCUMENTS

5,244,179	A *	9/1993	Wilson	251/30.03
D355,478	S *	2/1995	Allen et al.	D23/249
5,476,244	A *	12/1995	Carroll et al.	251/40
D411,609	S *	6/1999	Stoltenberg et al.	D23/233
D470,222	S *	2/2003	Nortier	D23/233

6,550,744	B2 *	4/2003	Nortier	251/40
D495,031	S *	8/2004	Taylor	D23/233
D498,821	S *	11/2004	Nortier	D23/249

* cited by examiner

Primary Examiner—Ian Simmons

Assistant Examiner—Maurice Stevens

(74) *Attorney, Agent, or Firm*—Foley & Lardner LLP

(57) **CLAIM**

I claim the ornamental design for a valve housing, as shown and described.

DESCRIPTION

FIG. 1 is a perspective view of a valve housing showing my new design;

FIG. 2 is a front view thereof;

FIG. 3 is a rear view thereof;

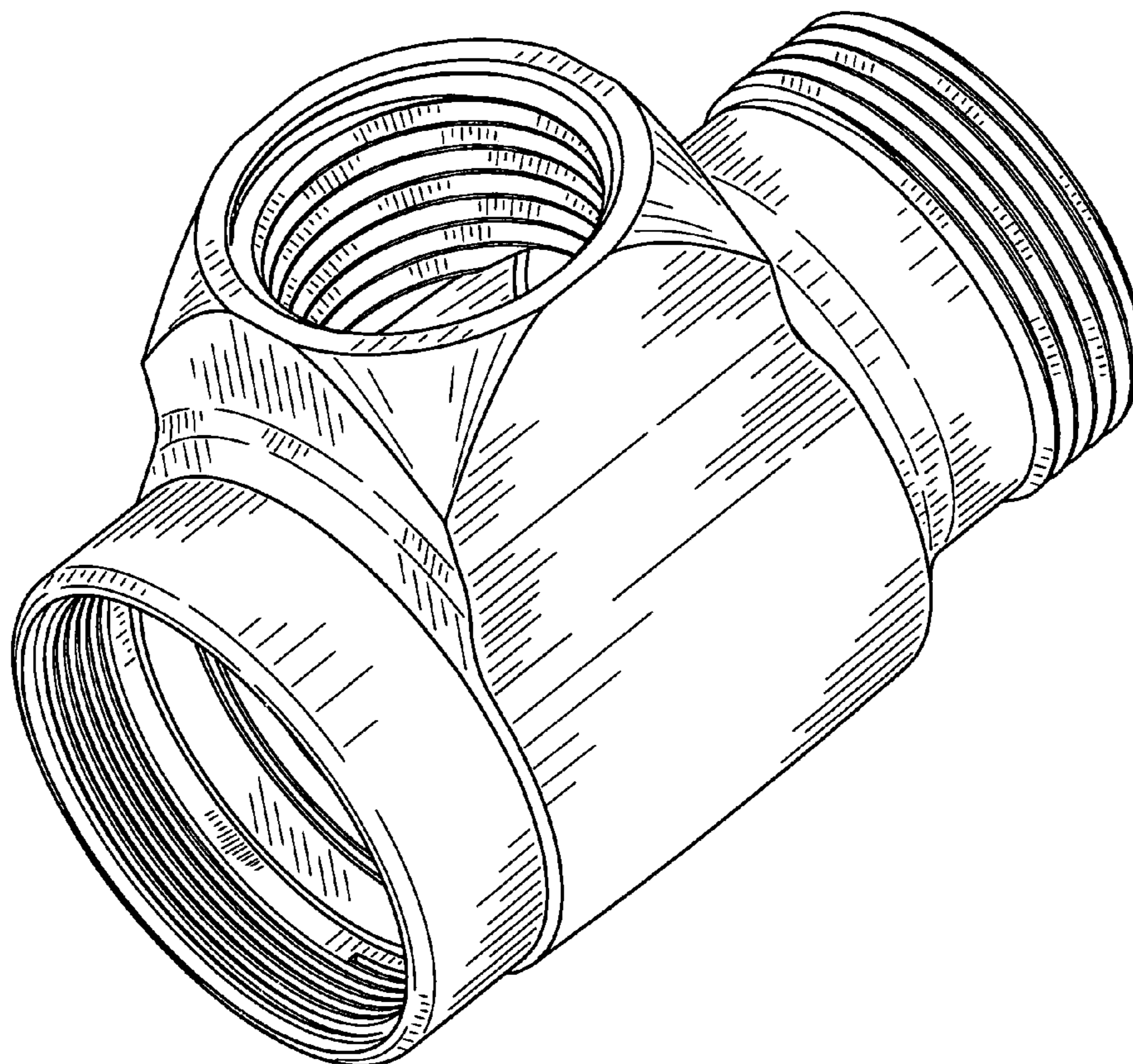
FIG. 4 is a left view thereof;

FIG. 5 is a right view thereof;

FIG. 6 is a top view thereof; and,

FIG. 7 is a bottom view thereof.

1 Claim, 3 Drawing Sheets



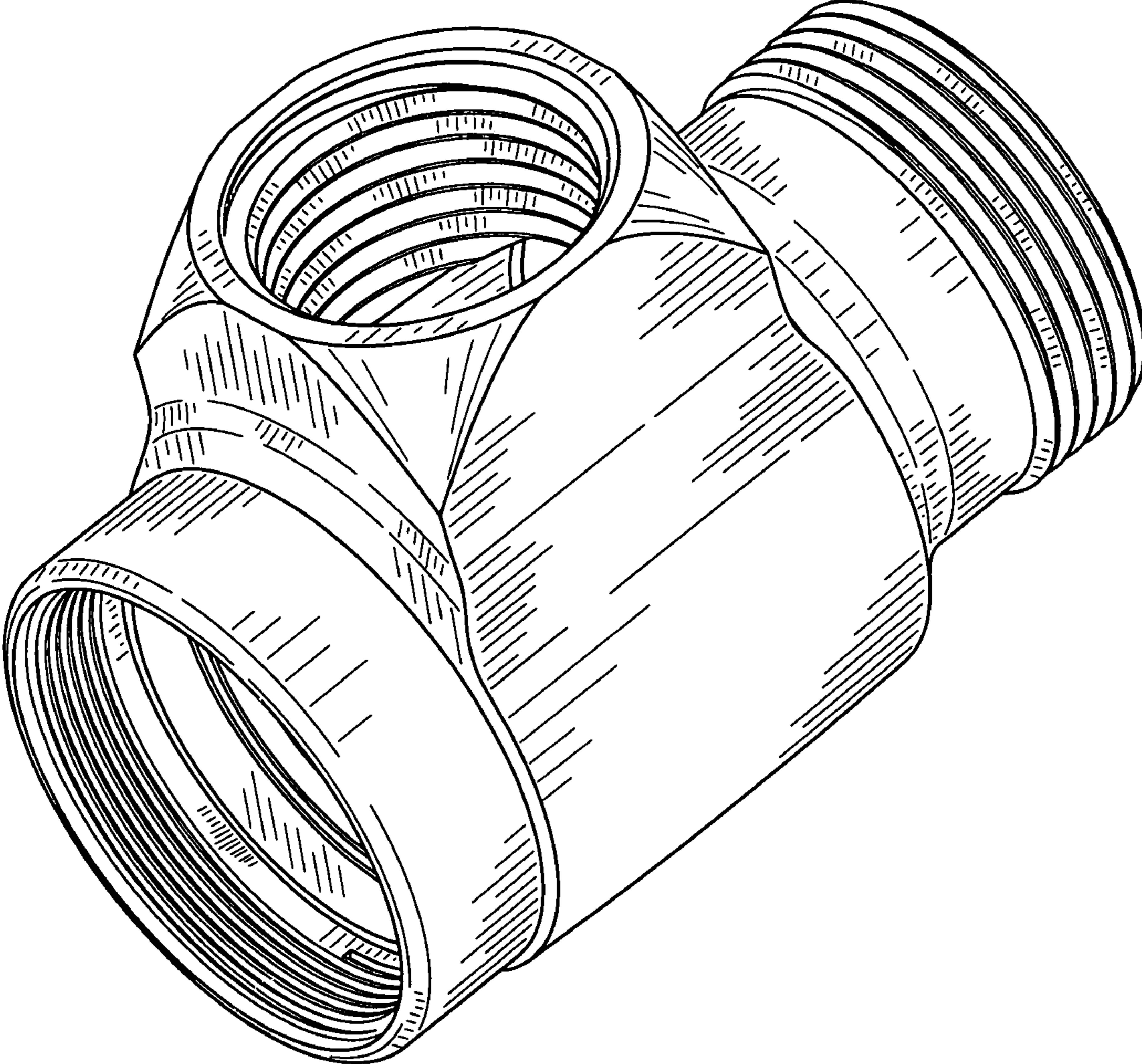


FIG. 1

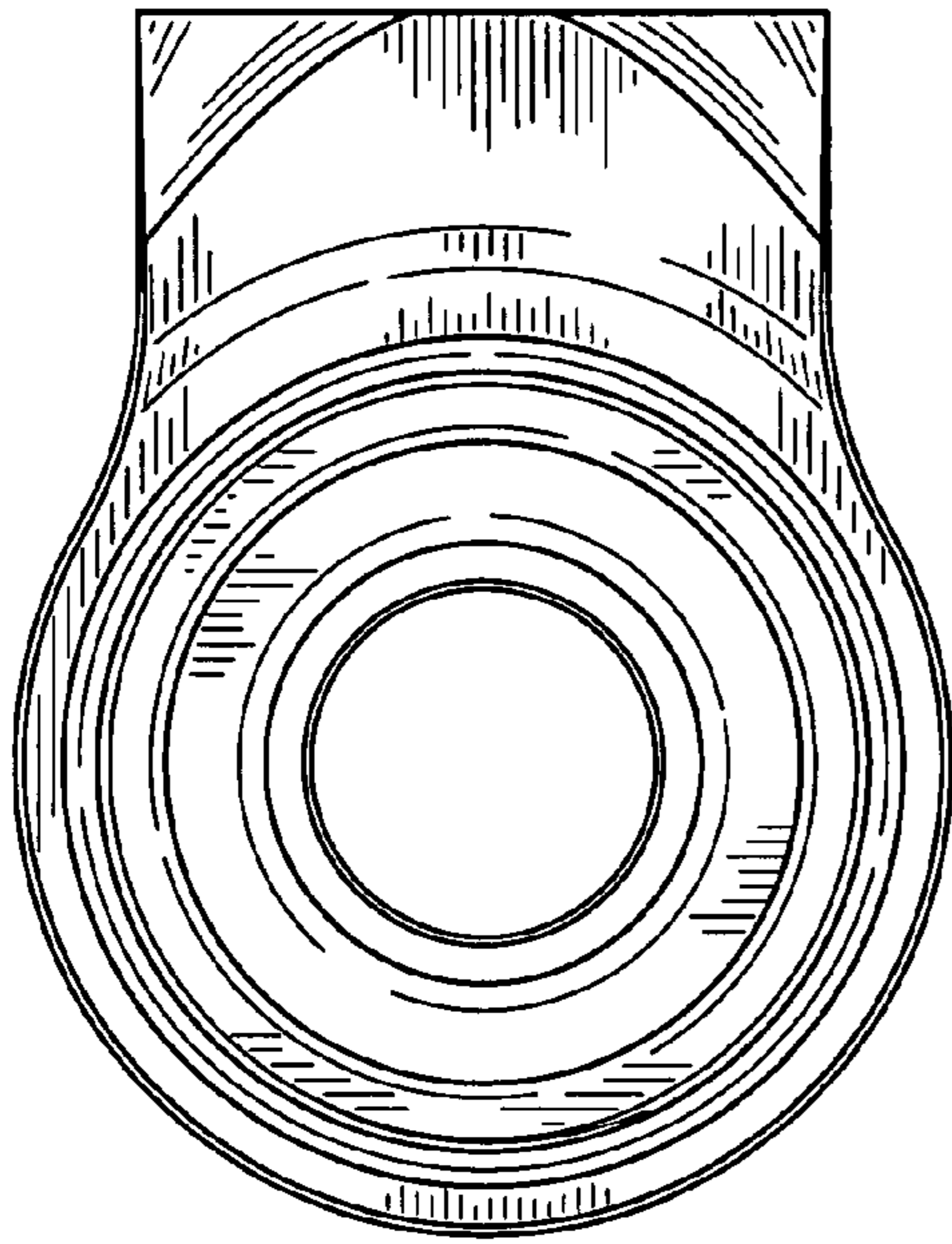


FIG. 2

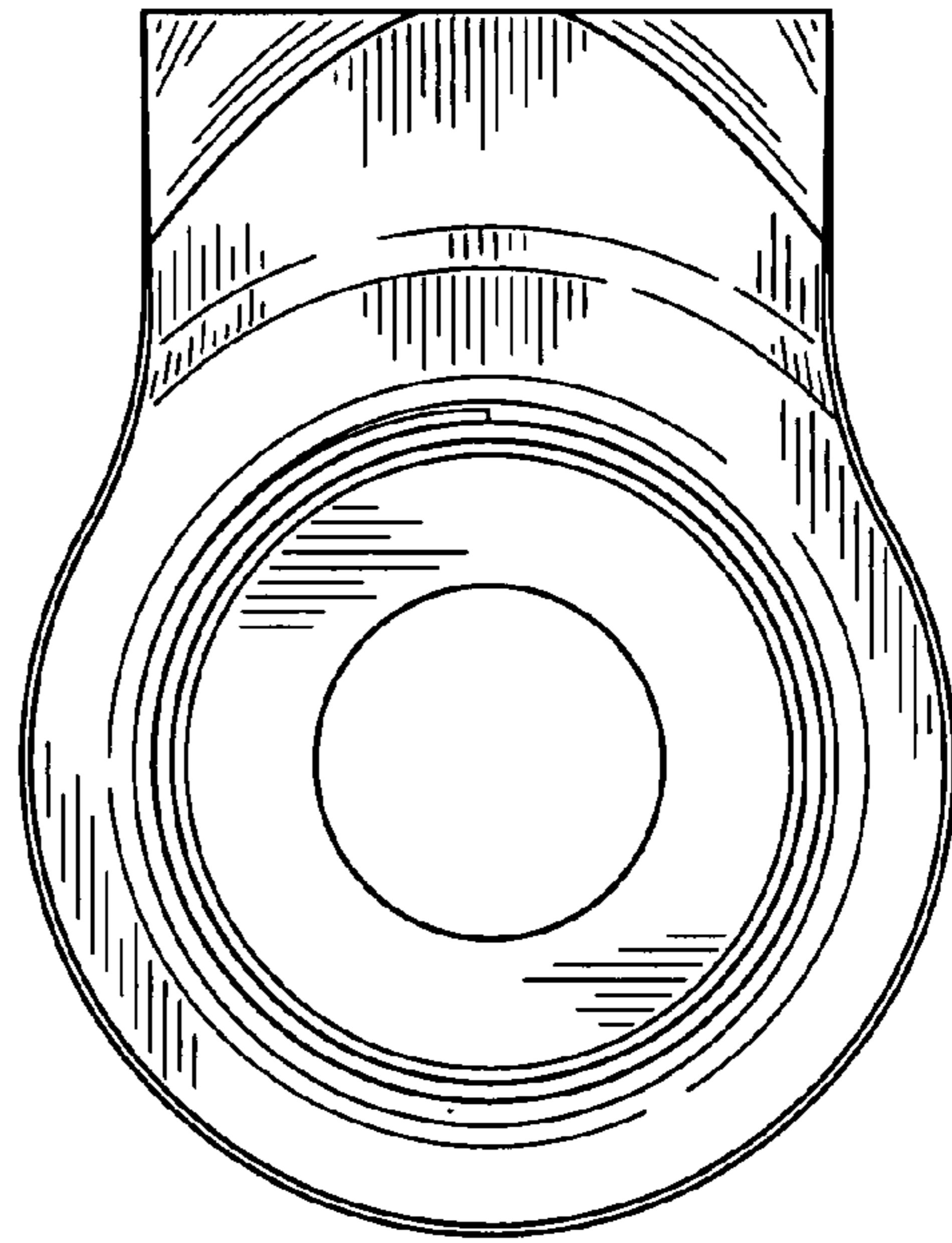


FIG. 3

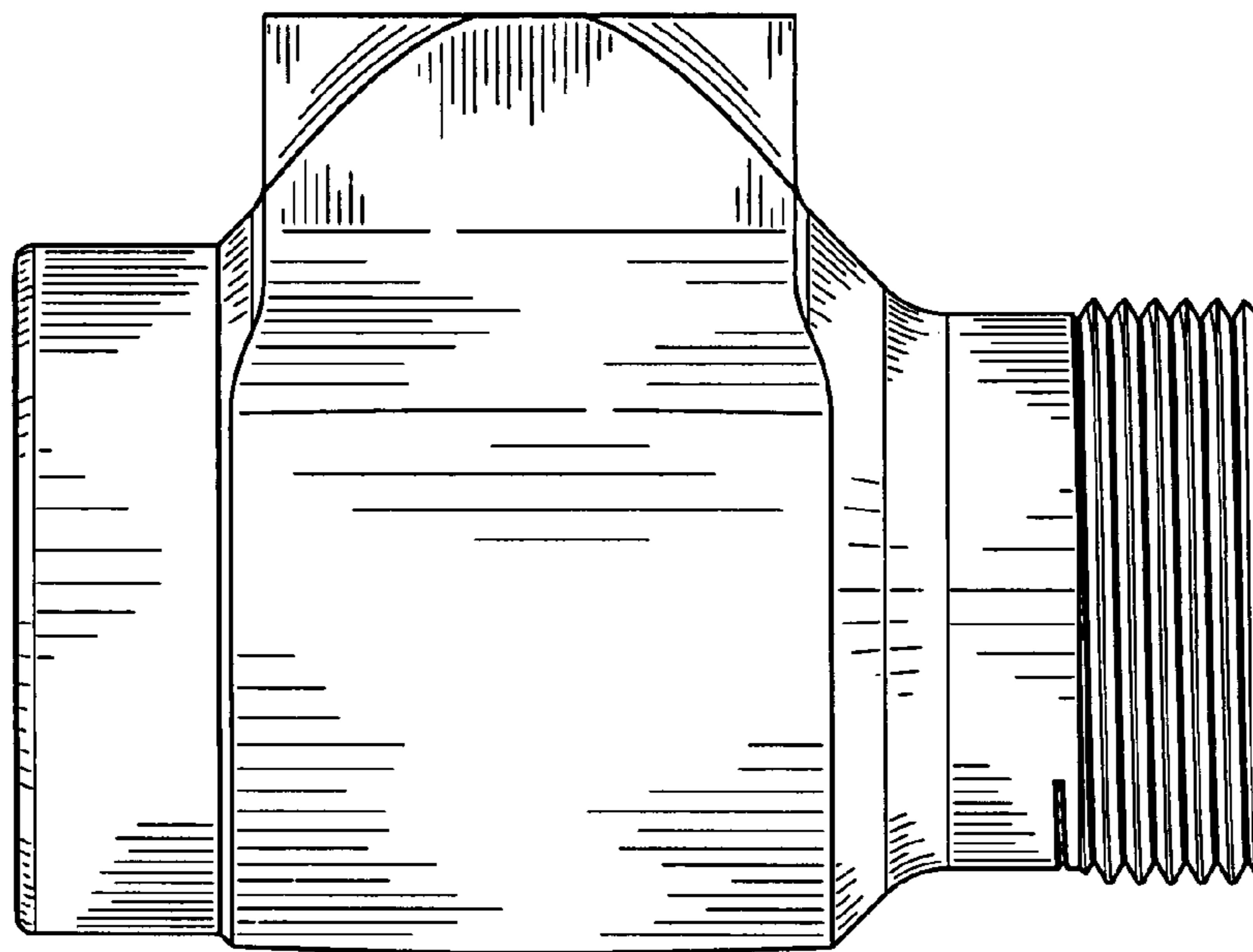


FIG. 4

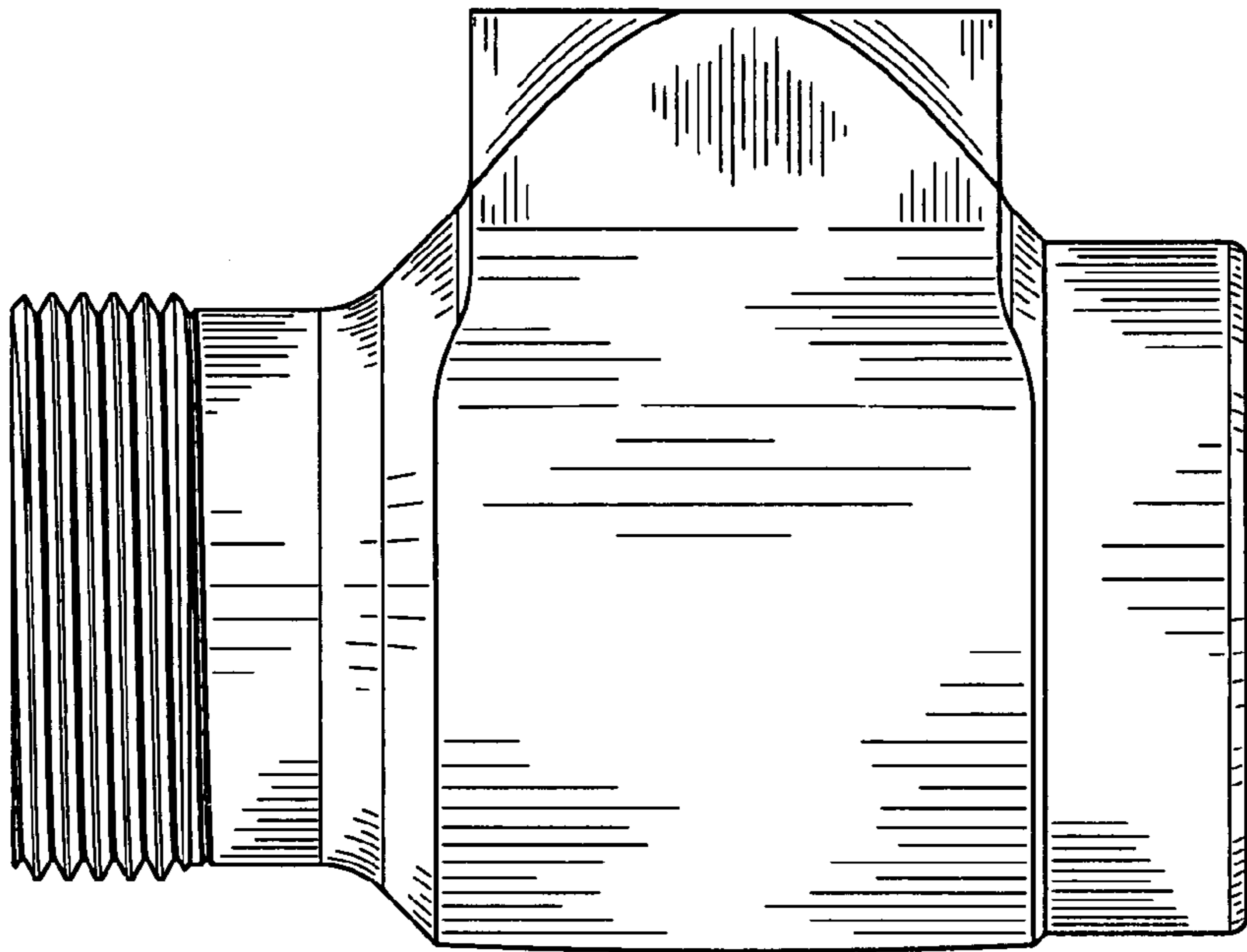


FIG. 5

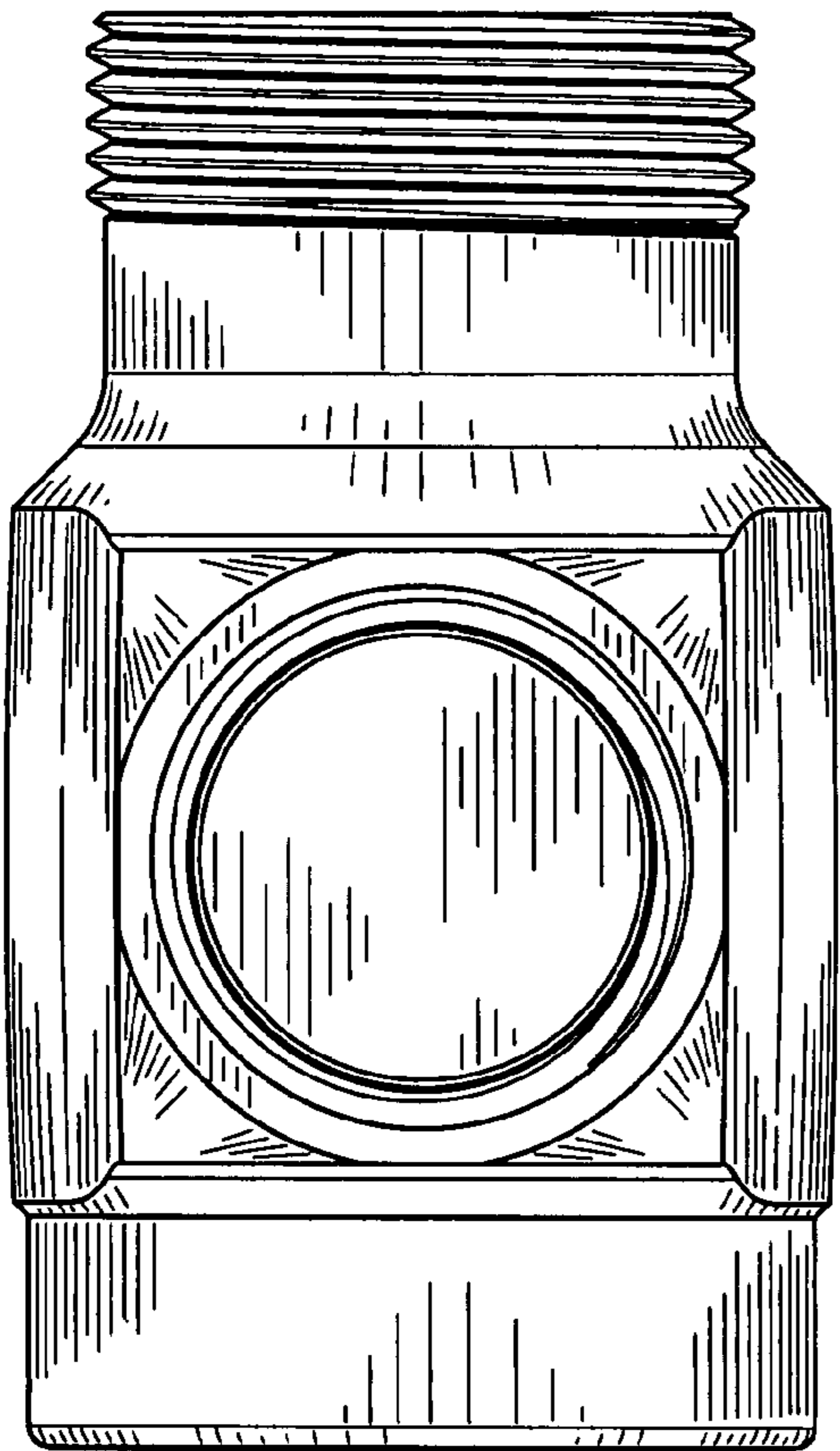


FIG. 6

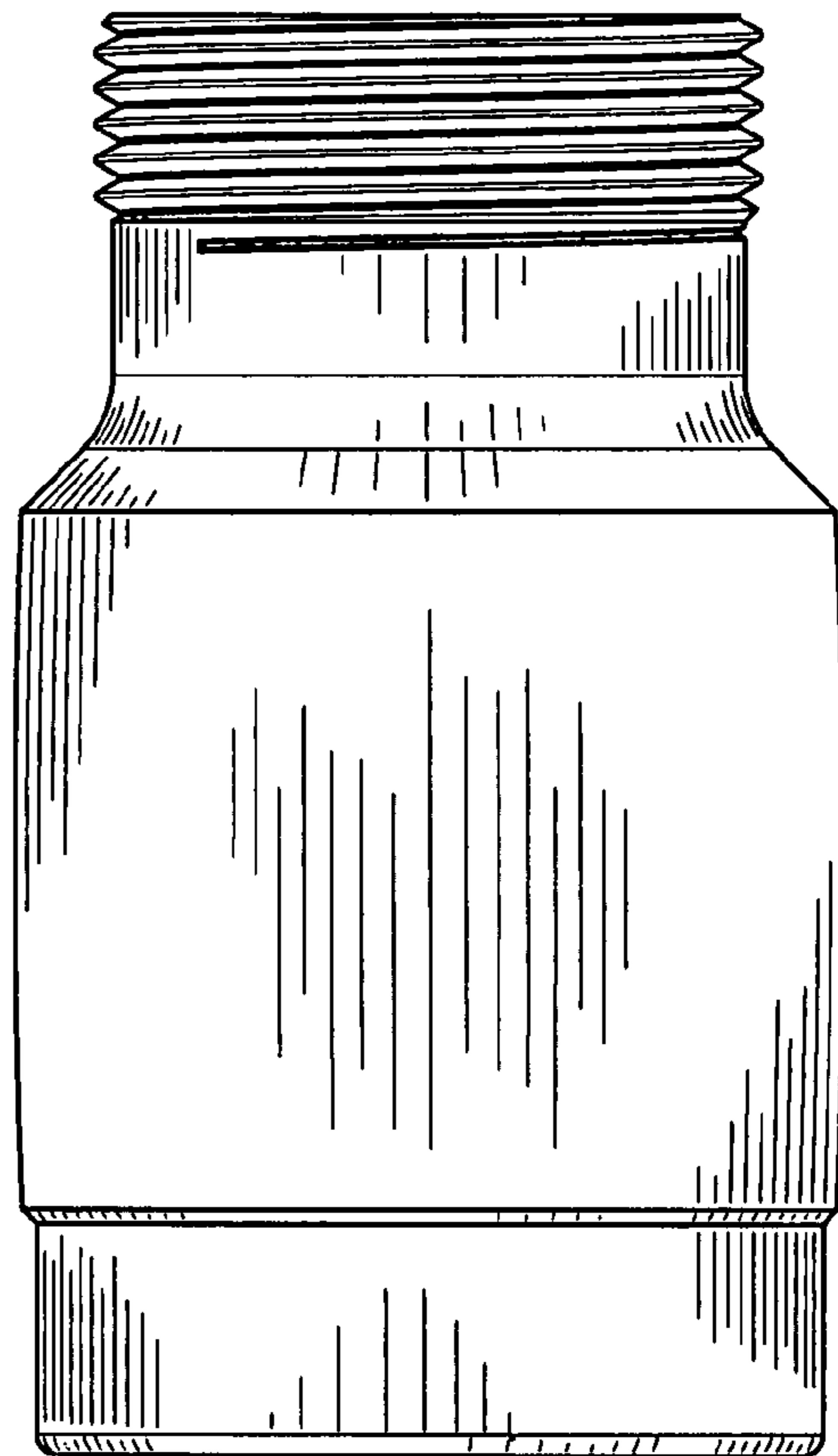


FIG. 7