

US00D568964S

(12) **United States Design Patent**
Shinmura et al.

(10) **Patent No.:** **US D568,964 S**
(45) **Date of Patent:** **** May 13, 2008**

(54) **ACTUATOR FOR AUTOMOTIVE AIR
CONDITIONER**

(75) Inventors: **Naohisa Shinmura**, Iwata (JP);
Tomonobu Hyodo, Hamamatsu (JP);
Hiroto Inoue, Okazaki (JP)

(73) Assignee: **ASMO Co., Ltd.** (JP)

(**) Term: **14 Years**

(21) Appl. No.: **29/274,563**

(22) Filed: **May 3, 2007**

Related U.S. Application Data

(62) Division of application No. 29/243,029, filed on Nov. 18, 2005, now Pat. No. Des. 551,739.

(30) **Foreign Application Priority Data**

May 25, 2005 (JP) 2005-015079
May 25, 2005 (JP) 2005-015080
May 25, 2005 (JP) 2005-015081

(51) **LOC (8) Cl.** **23-01**

(52) **U.S. Cl.** **D23/233**

(58) **Field of Classification Search** D23/233-237;
D8/21, 22, 25, 27, 29; 318/446, 468, 599,
318/652; 165/202-204, 42-43; 62/262.298;
200/19 R, 24, 37 R, 501

See application file for complete search history.

(56) **References Cited**

U.S. PATENT DOCUMENTS

D295,280 S 4/1988 Waiser
4,877,926 A 10/1989 Yamase
4,878,001 A 10/1989 Hagikura
6,095,281 A * 8/2000 Jianxing 181/200
6,276,156 B1 * 8/2001 da Silva et al. 62/262

6,276,157 B1 * 8/2001 Moraes 62/262
6,301,914 B1 * 10/2001 Oliva et al. 62/262
6,576,851 B1 * 6/2003 Barlian et al. 200/5 R
D479,576 S 9/2003 Wright
6,675,886 B2 * 1/2004 Ito et al. 165/204
D518,147 S * 3/2006 Fukushima D23/233
D521,597 S * 5/2006 Nimberger D23/233
D521,598 S * 5/2006 Bates et al. D23/233
D522,090 S * 5/2006 Matsumoto et al. D23/233
7,038,422 B2 5/2006 Nakajima
D551,322 S * 9/2007 Shinmura et al. D23/233

FOREIGN PATENT DOCUMENTS

JP 2004-159475 6/2004
JP 2004-166320 6/2004
JP 2004-169910 6/2004

* cited by examiner

Primary Examiner—Jeffrey Asch

Assistant Examiner—Maurice Stevens

(74) *Attorney, Agent, or Firm*—Nixon & Vanderhye PC

(57) **CLAIM**

The ornamental design for an “actuator for automotive air conditioner,” as shown and described.

DESCRIPTION

FIG. 1 is a front perspective view of an actuator for automotive air conditioner showing our new design;

FIG. 2 is a rear perspective view thereof;

FIG. 3 is a front view thereof;

FIG. 4 is a rear view thereof;

FIG. 5 is a top plan view thereof;

FIG. 6 is a bottom plan view thereof;

FIG. 7 is a right side elevational view thereof; and,

FIG. 8 is a left side elevational view thereof.

1 Claim, 4 Drawing Sheets

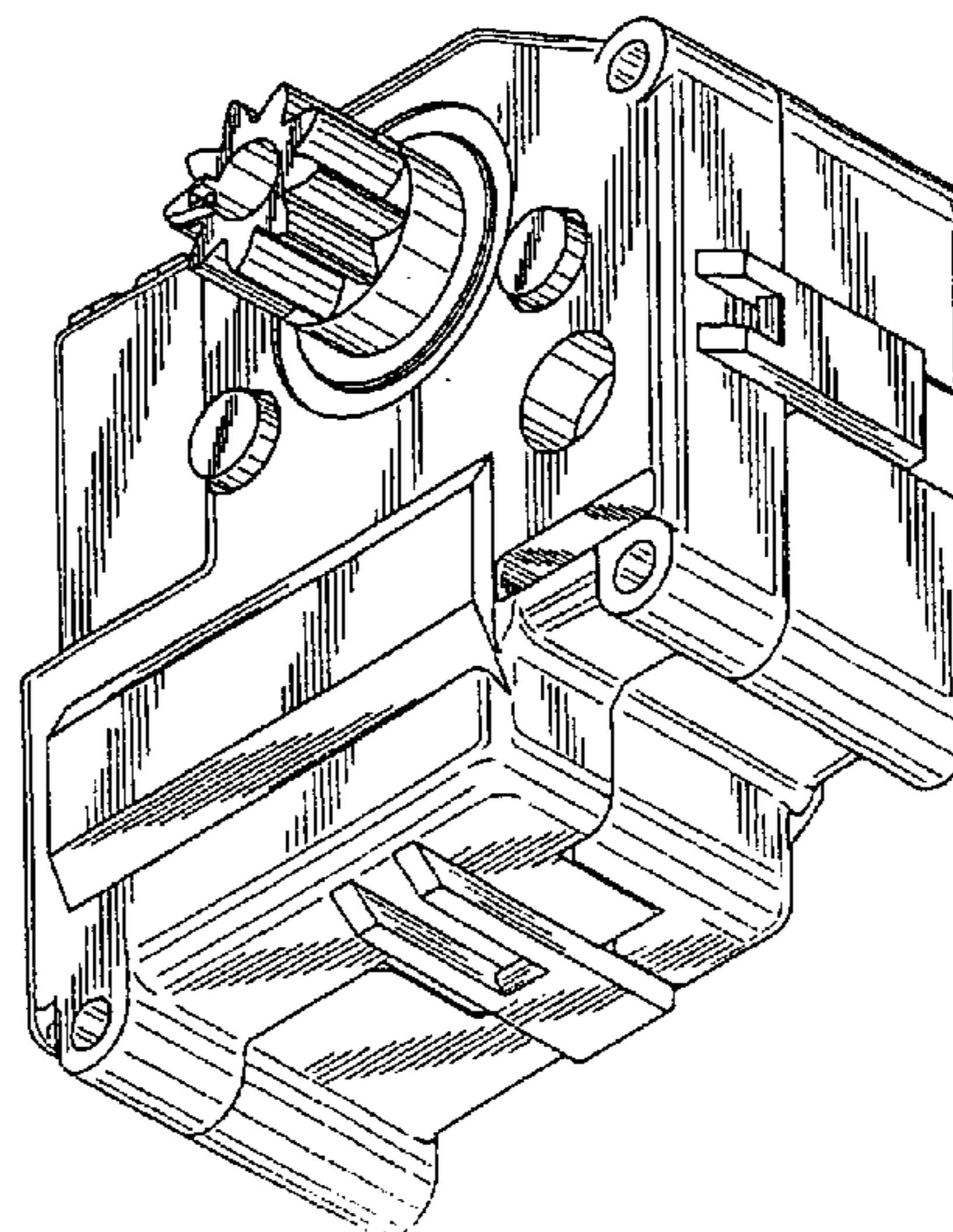
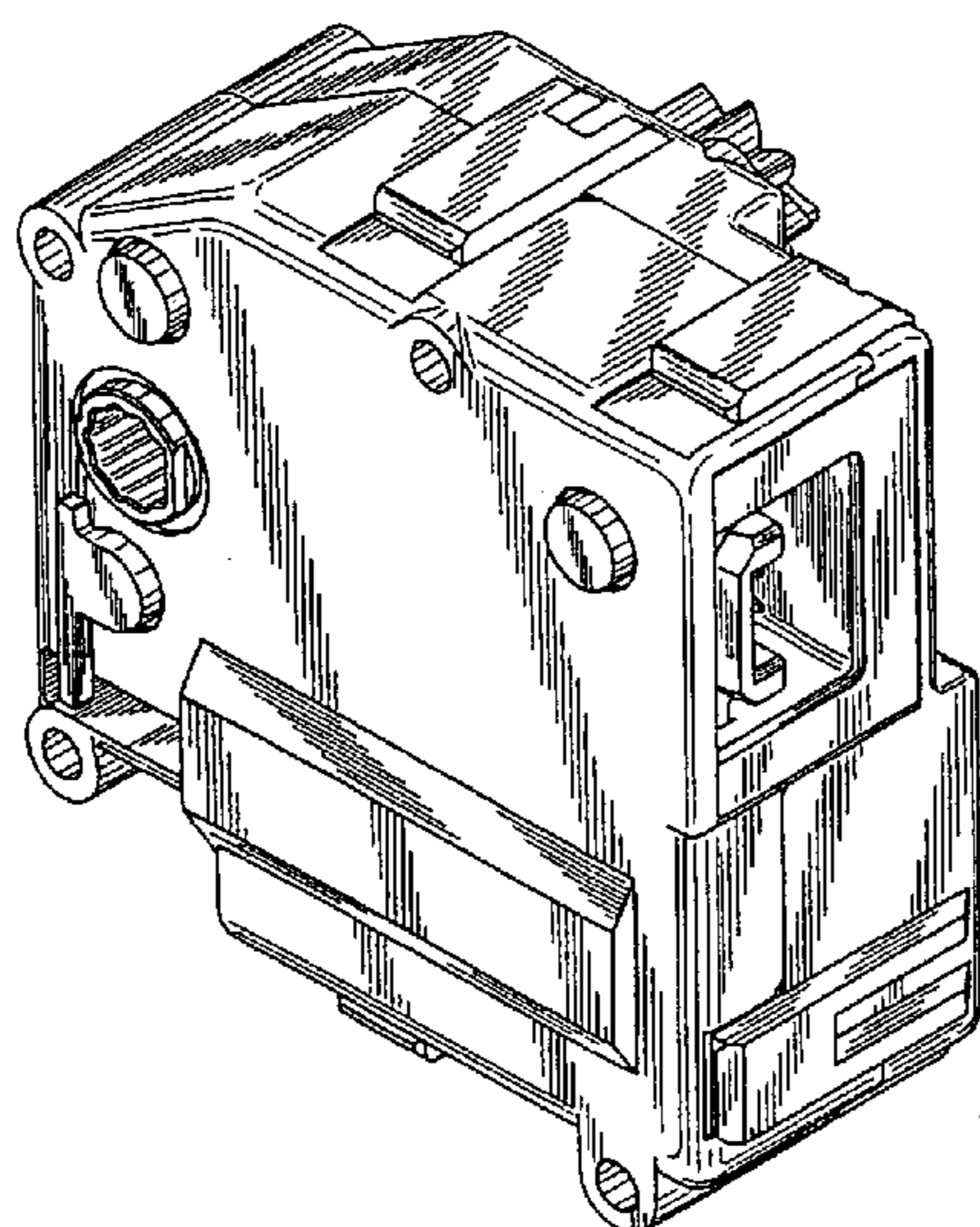


FIG. 1

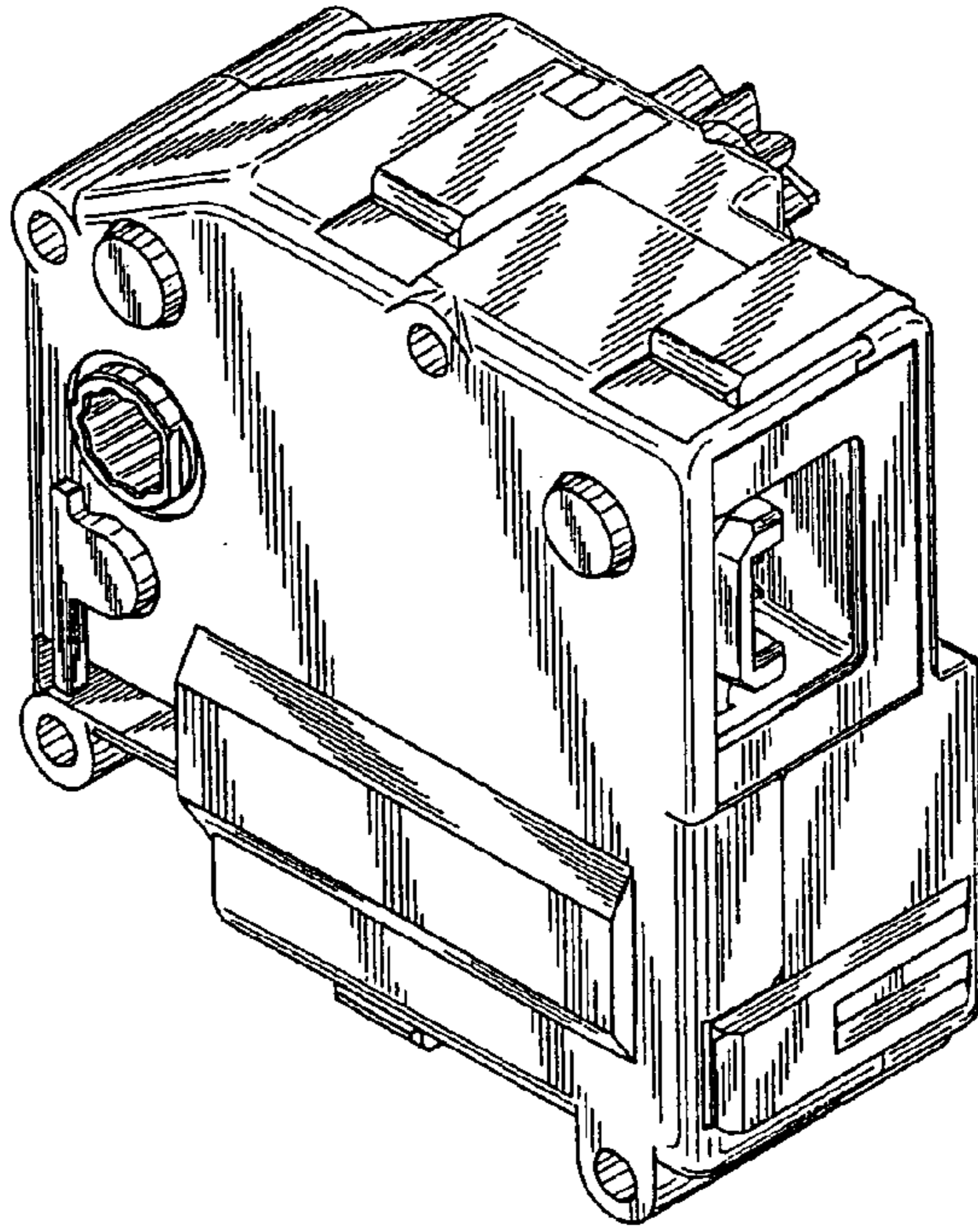


FIG. 2

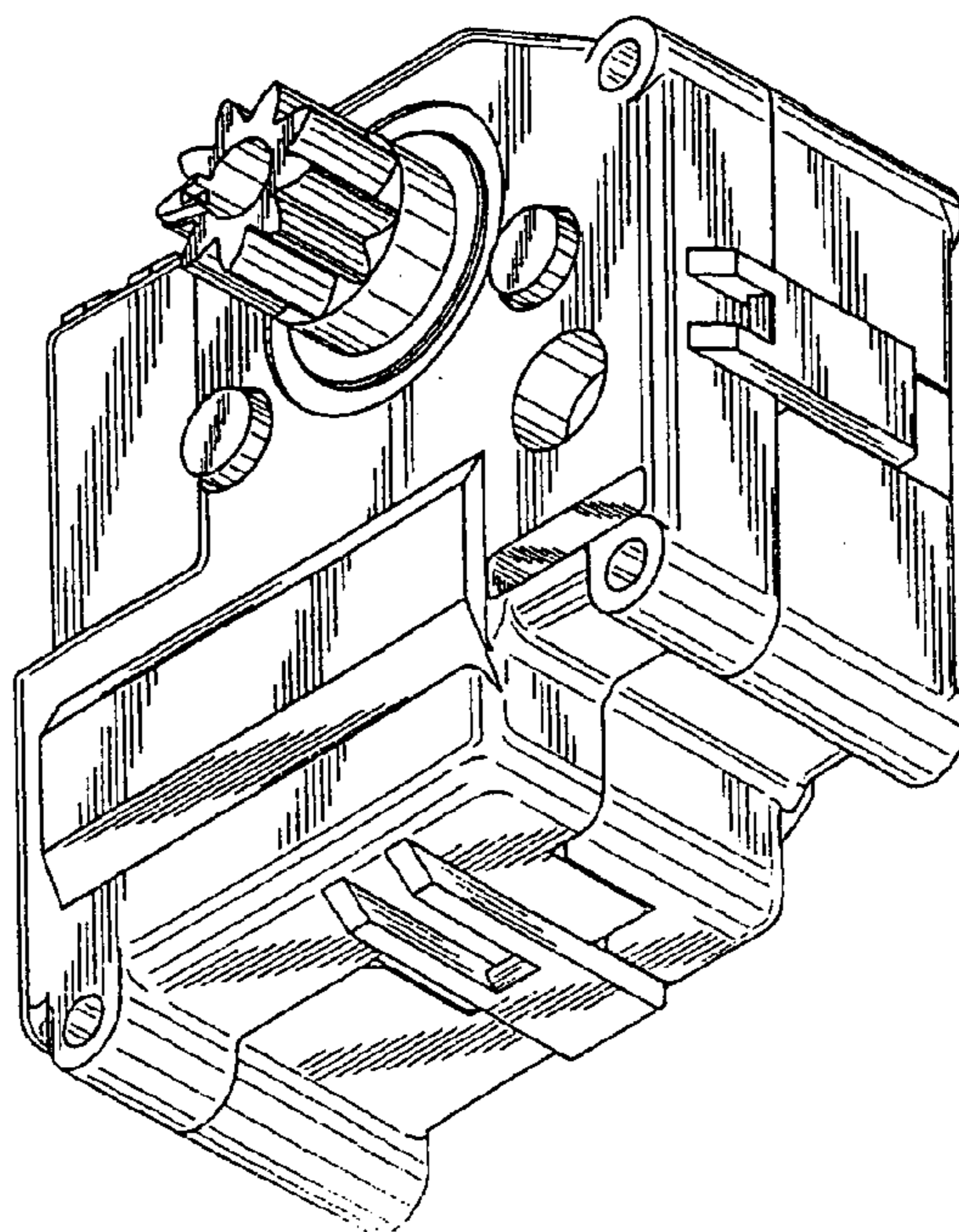


FIG. 3

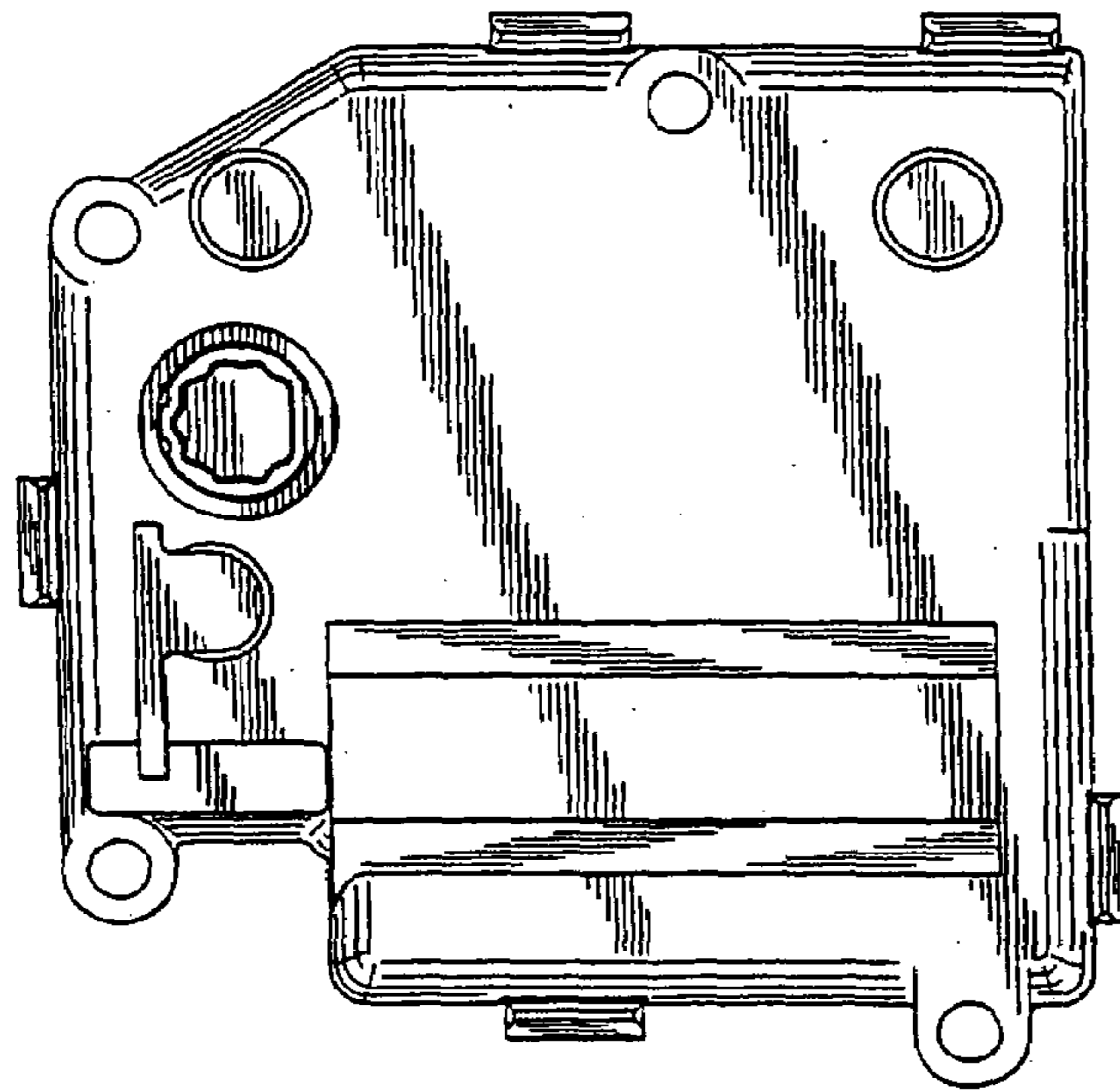


FIG. 4

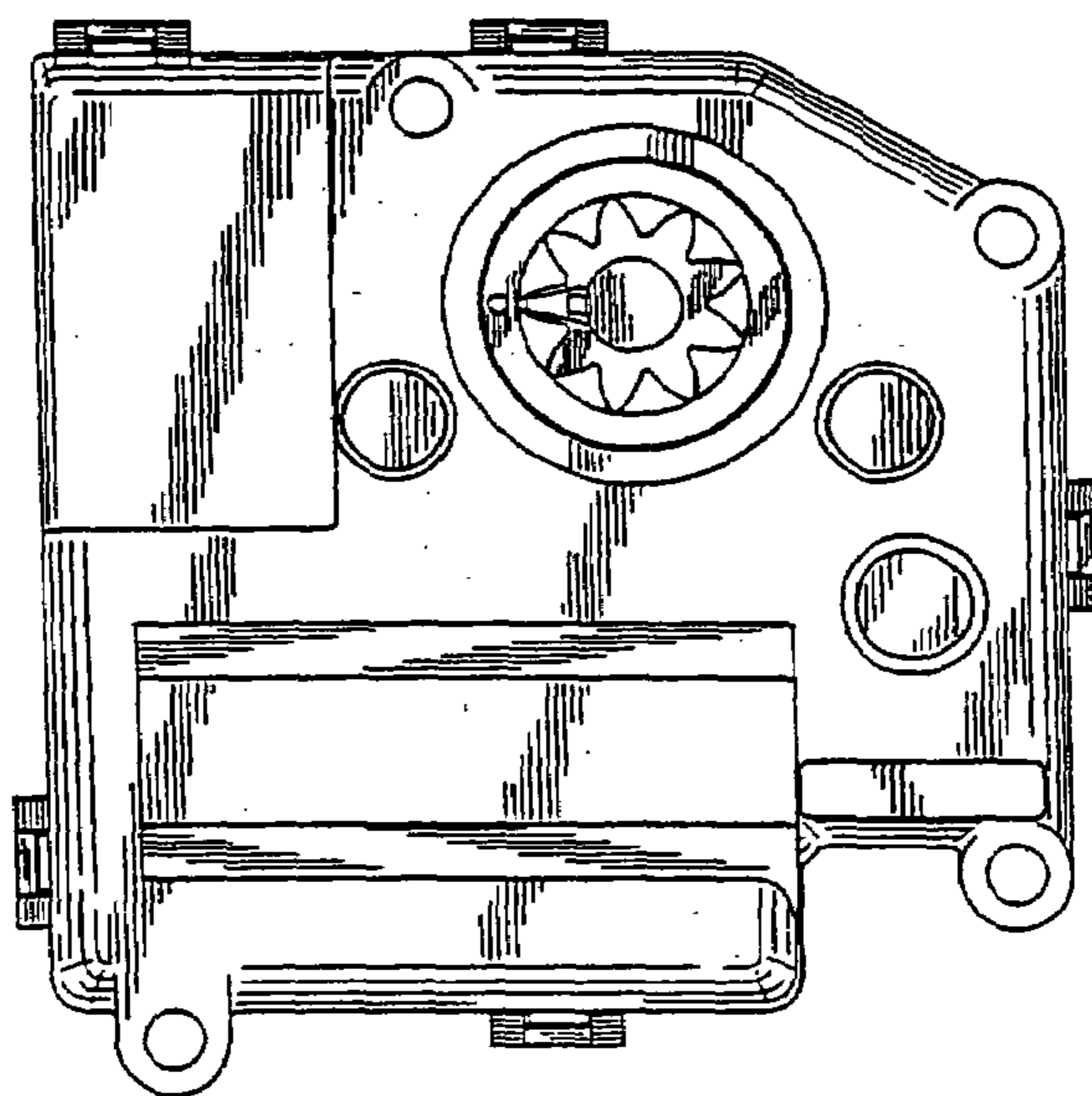


FIG. 5

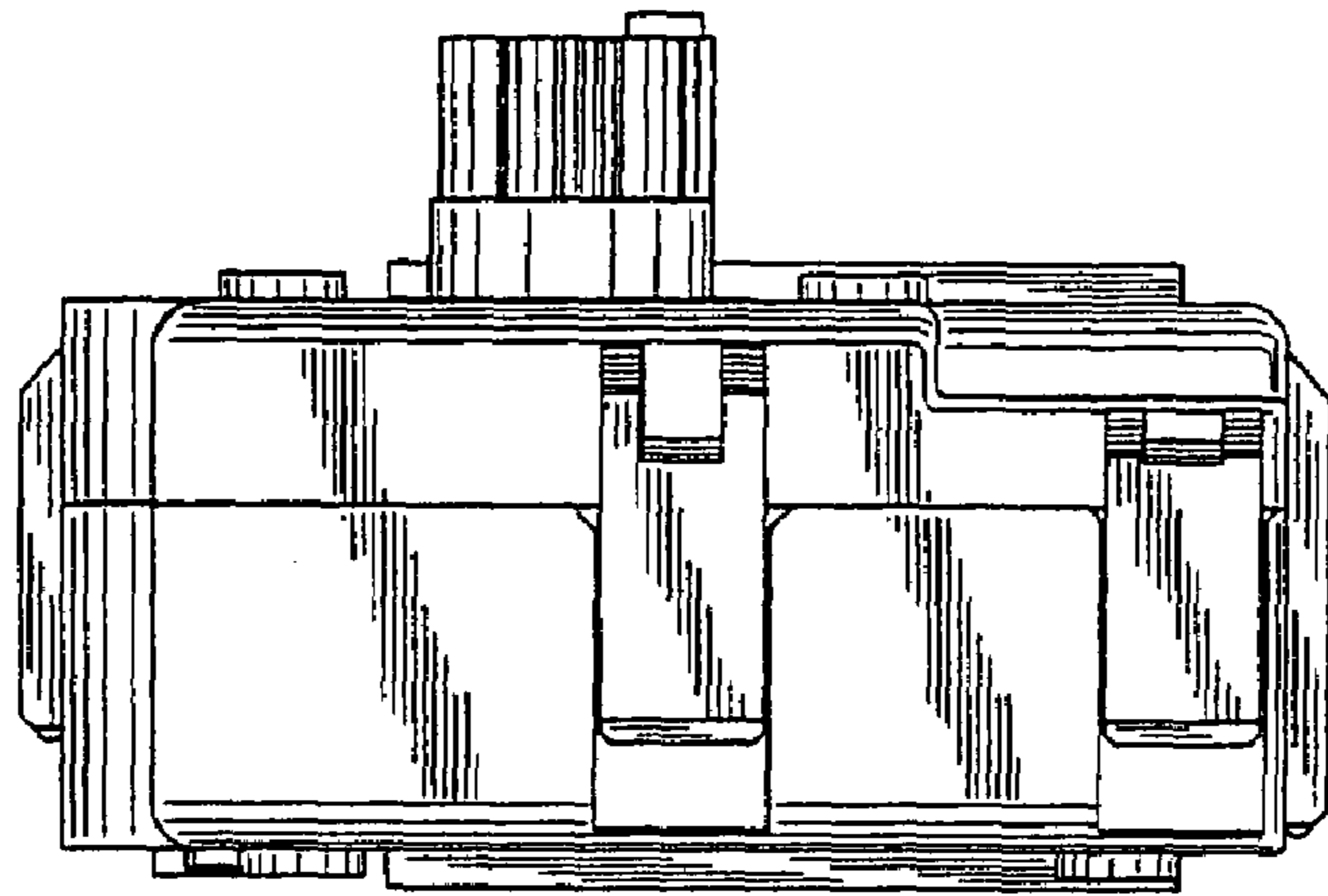


FIG. 6

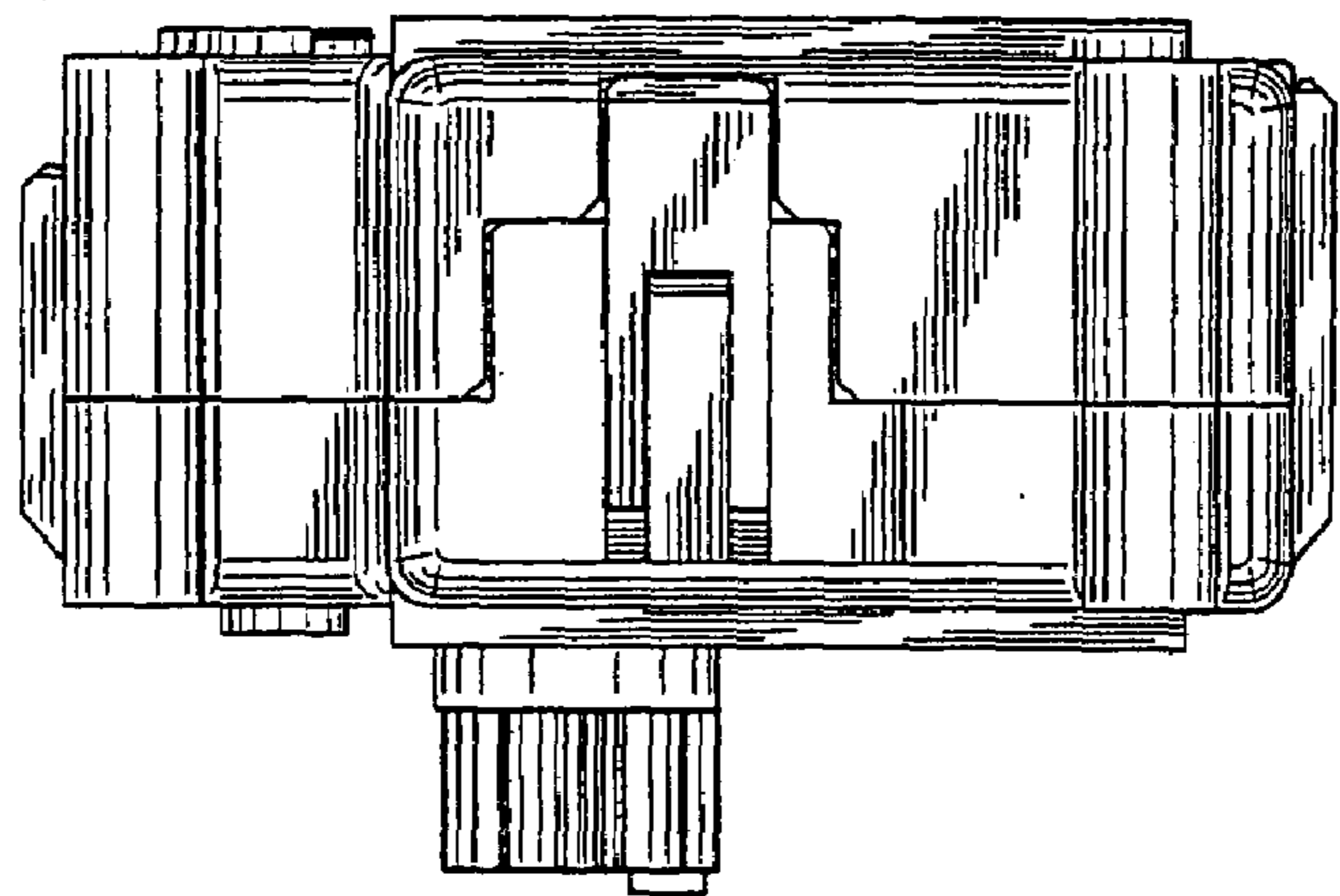


FIG. 7

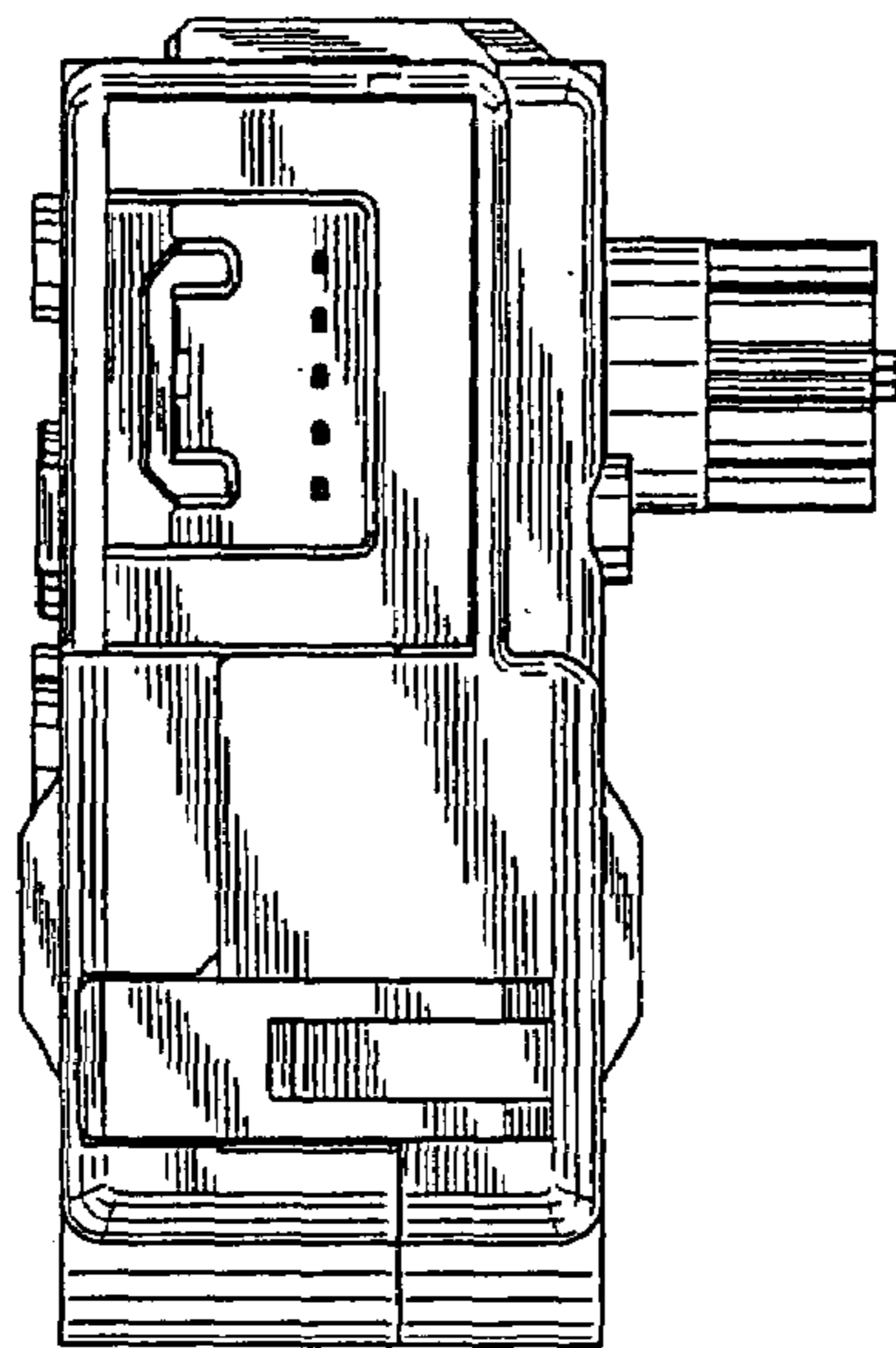


FIG. 8

