

US00D568961S

(12) **United States Design Patent**
Childs et al.

(10) **Patent No.:** **US D568,961 S**

(45) **Date of Patent:** **** May 13, 2008**

(54) **HANDLE FOR A PORTABLE SPRAYER**

(75) Inventors: **Daniel K. Childs**, Chicago, IL (US);
Gregory J. Holderfield, Oak Park, IL (US)

(73) Assignee: **Clarke Consumer Products, Inc.**,
Roselle, IL (US)

(**) Term: **14 Years**

(21) Appl. No.: **29/233,180**

(22) Filed: **Jun. 29, 2005**

(51) **LOC (8) Cl.** **23-01**

(52) **U.S. Cl.** **D23/225; D23/213**

(58) **Field of Classification Search** D23/213,
D23/225, 211.1, 211.2; D8/1, 2; D9/742,
D9/434, 516; 239/304, 353, 355, 358, 398
See application file for complete search history.

(56) **References Cited**

U.S. PATENT DOCUMENTS

- D196,198 S * 9/1963 Corning et al. D23/225
- 4,790,454 A * 12/1988 Clark et al. 222/136
- 4,889,261 A * 12/1989 Conrad 222/130

- D358,330 S * 5/1995 Kahl D23/211.1
- D418,201 S * 12/1999 Shanklin et al. D23/225
- D432,372 S * 10/2000 Iacofano et al. D8/2

* cited by examiner

Primary Examiner—Robin V Webster

(74) *Attorney, Agent, or Firm*—Cook, Alex, McFarron,
Manzo, Cummings & Mehler, Ltd.

(57) **CLAIM**

The ornamental design for a handle for a portable sprayer, as shown and described.

DESCRIPTION

FIG. 1 is a perspective view of our new design for a handle for a portable sprayer;

FIG. 2 is a right side elevation view thereof;

FIG. 3 is a left side elevation view thereof;

FIG. 4 is a rear elevation view thereof; and,

FIG. 5 is a top plan view thereof.

The broken line portion of the sprayer housing in FIGS. 1–5 is for illustrative purposes only and forms no part of the claimed invention.

1 Claim, 3 Drawing Sheets

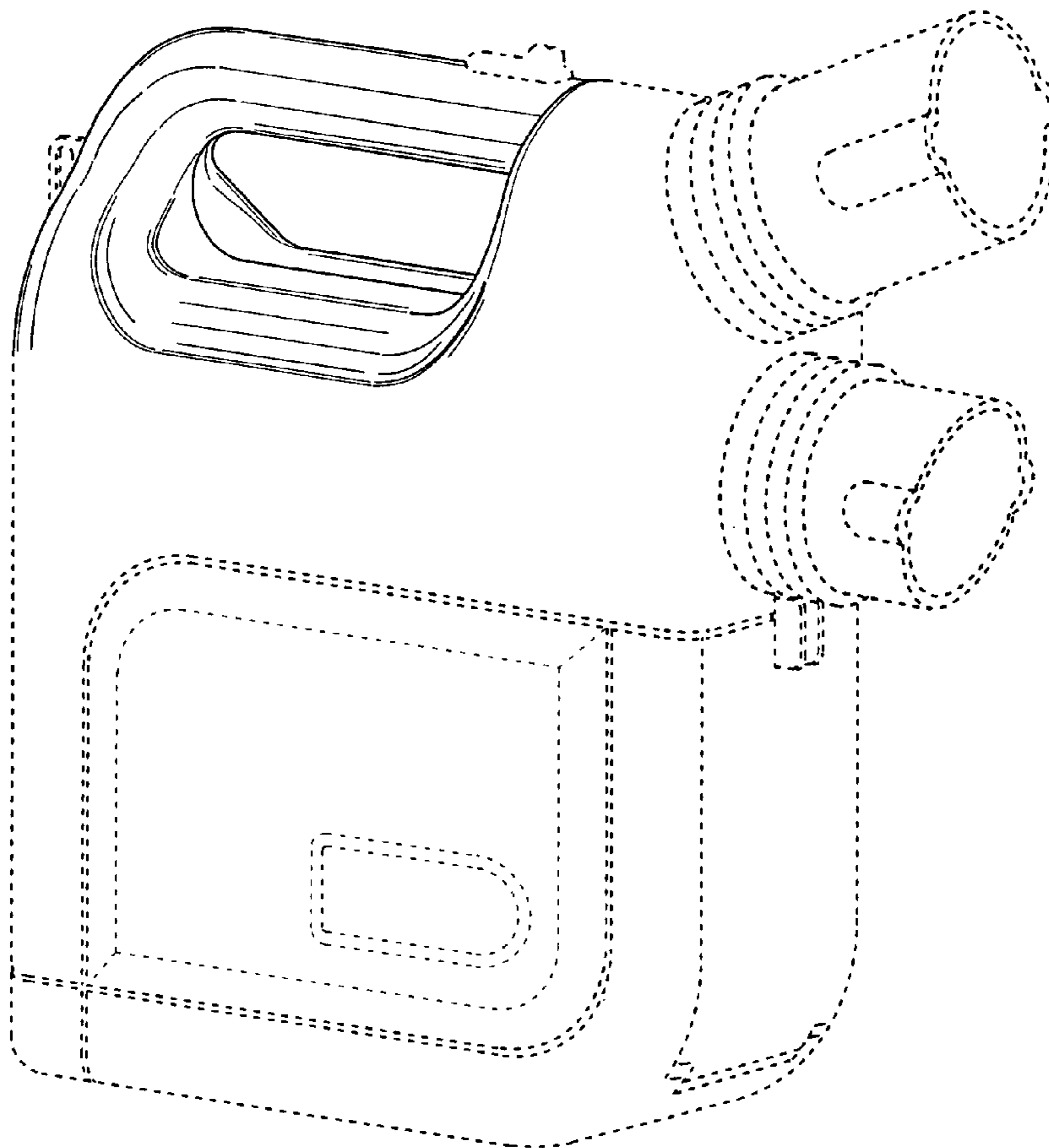
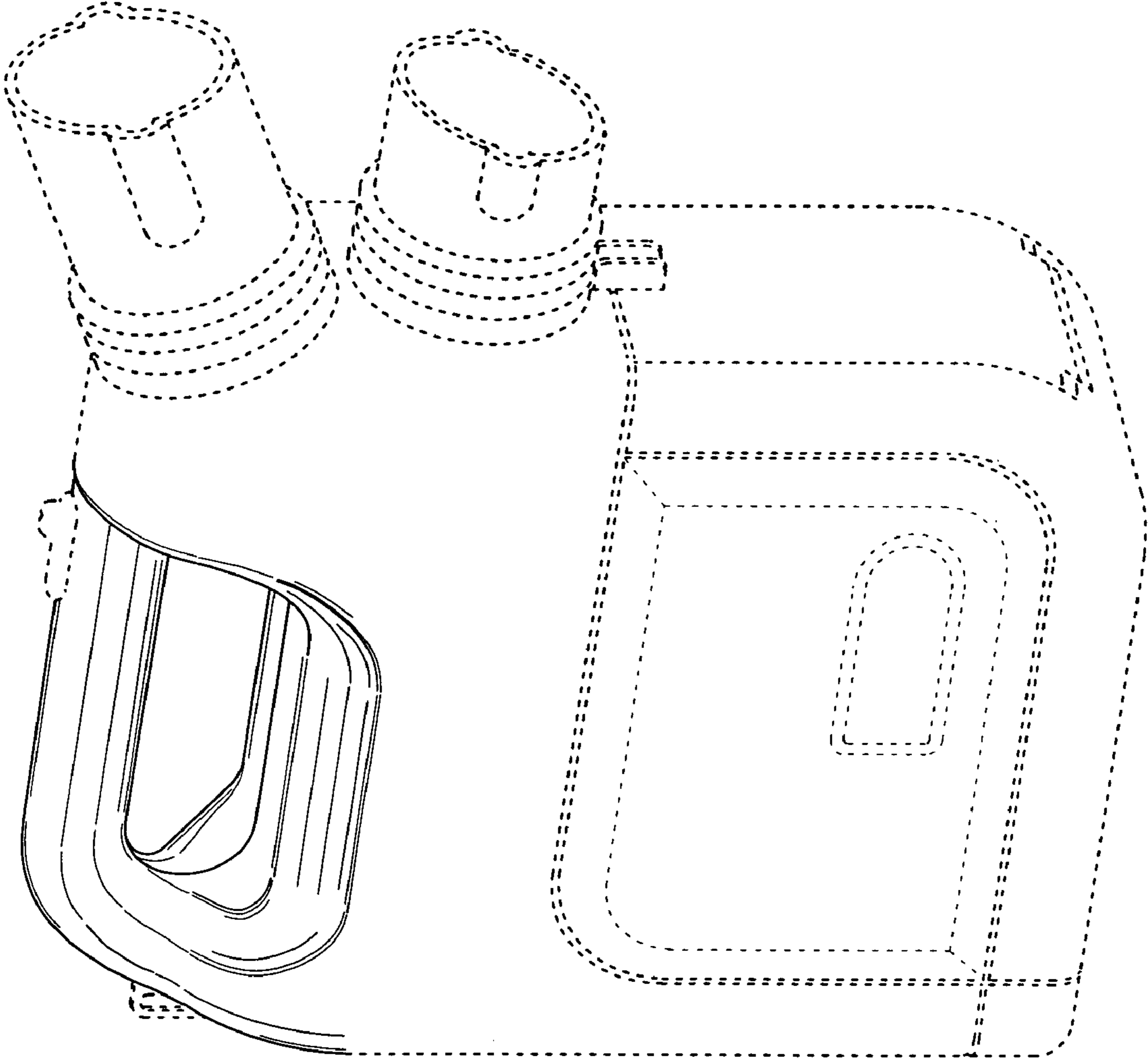


Fig. 1



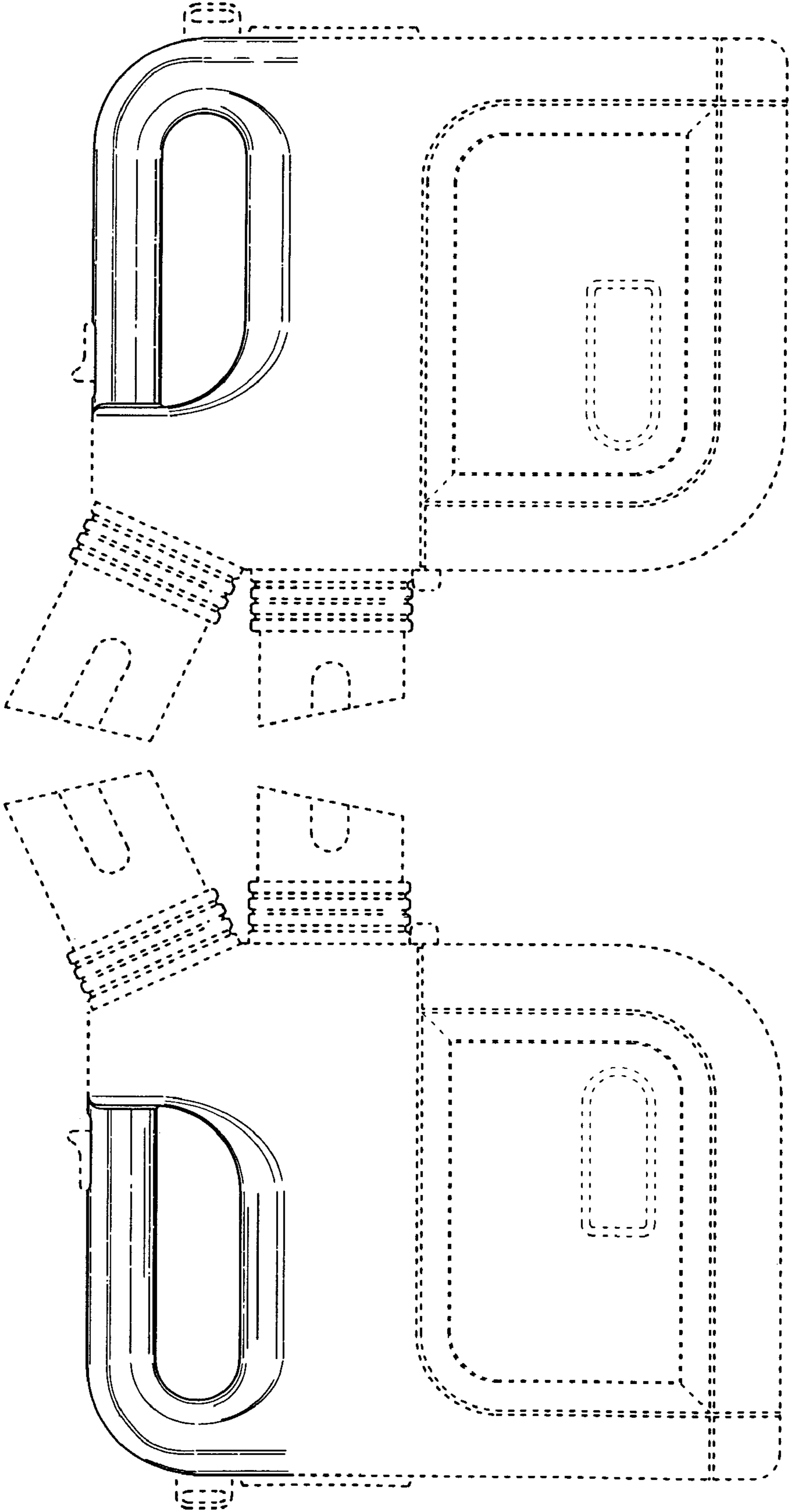


Fig. 3

Fig. 2

Fig. 5

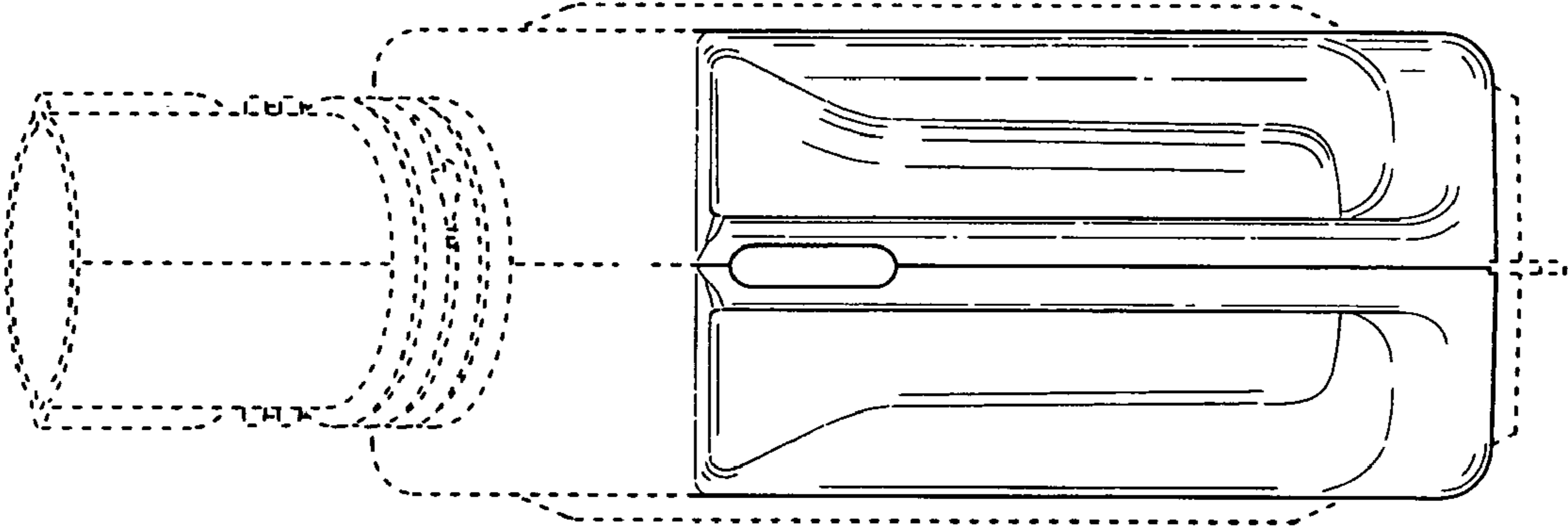


Fig. 4

