

US00D568958S

(12) **United States Design Patent**
Zovar et al.

(10) **Patent No.:** **US D568,958 S**

(45) **Date of Patent:** **** May 13, 2008**

(54) **GOPHER EXTERMINATOR DEVICE**

Primary Examiner—Catherine R Oliver

(74) *Attorney, Agent, or Firm*—Chen Yoshimura LLP

(76) Inventors: **Alan Peter Zovar**, 319 Briar Bluff Cir.,
Thousand Oaks, CA (US) 91360;
Shelley Laner, 319 Briar Bluff Cir.,
Thousand Oaks, CA (US) 91360

(57) **CLAIM**

The ornamental design for a gopher exterminator device, as shown and described.

(**) Term: **14 Years**

(21) Appl. No.: **29/284,535**

DESCRIPTION

(22) Filed: **Sep. 10, 2007**

(51) **LOC (8) Cl.** **22-06**

(52) **U.S. Cl.** **D22/119**

(58) **Field of Classification Search** D22/119,
D22/120, 122–123; 43/124, 132.1, 121,
43/131

See application file for complete search history.

FIG. 1 is a front, top and right side perspective view of a gopher exterminator device showing our new design;

FIG. 2 is a front elevational view thereof;

FIG. 3 is a rear elevational view thereof;

FIG. 4 is a right side elevational view thereof, the left side elevational view being a mirror image of the right side elevational view;

FIG. 5 is a top plan view thereof;

FIG. 6 is a bottom plan view thereof; and,

FIG. 7 is a front, top and right side perspective view of the gopher exterminator device in an extended state.

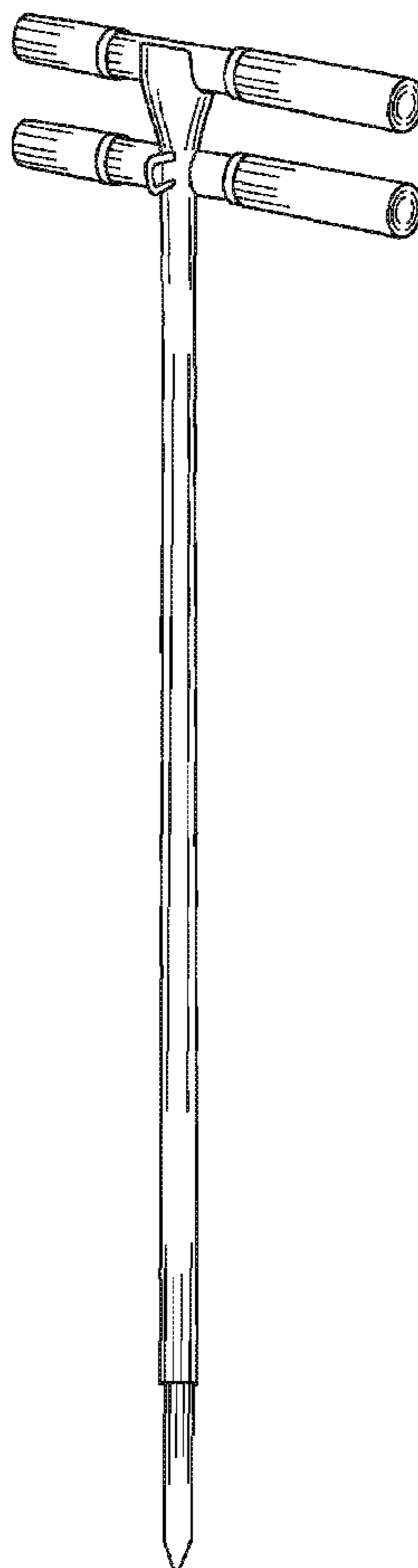
(56) **References Cited**

U.S. PATENT DOCUMENTS

D324,558 S *	3/1992	Weiser et al.	D22/120
D329,270 S *	9/1992	Der-Jinn	D22/120
5,379,545 A *	1/1995	Gall et al.	43/131
7,171,779 B1 *	2/2007	Kok	43/124
D552,705 S *	10/2007	Hess	D22/119

* cited by examiner

1 Claim, 6 Drawing Sheets



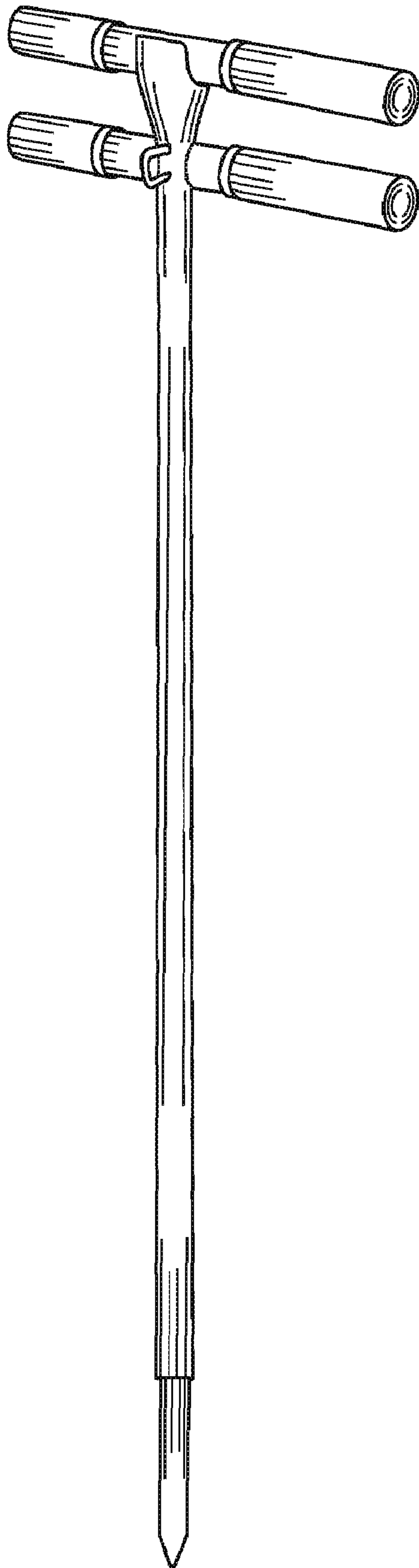


FIG. 1

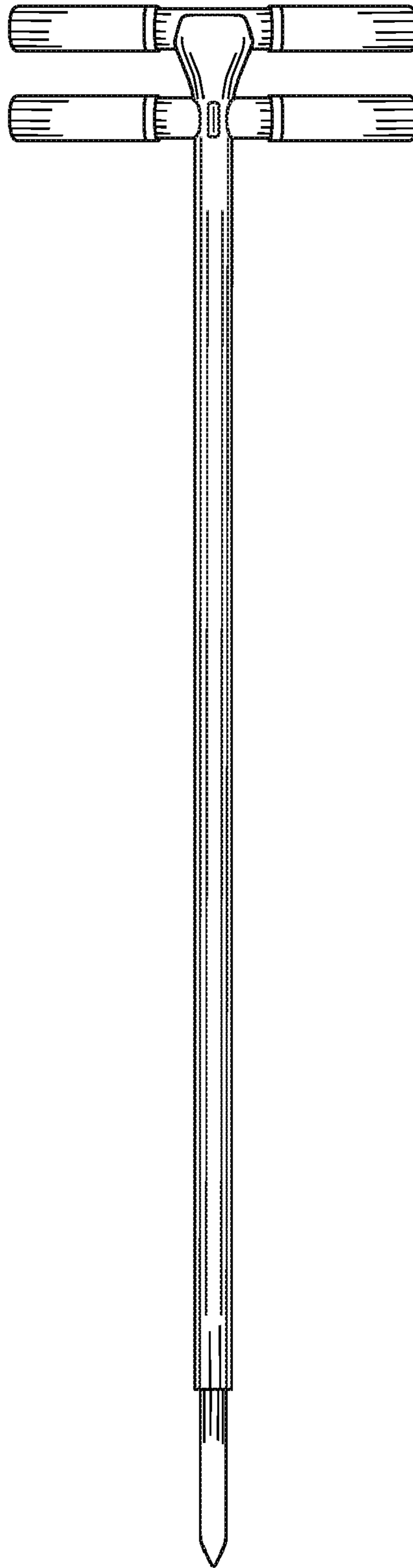


FIG. 2

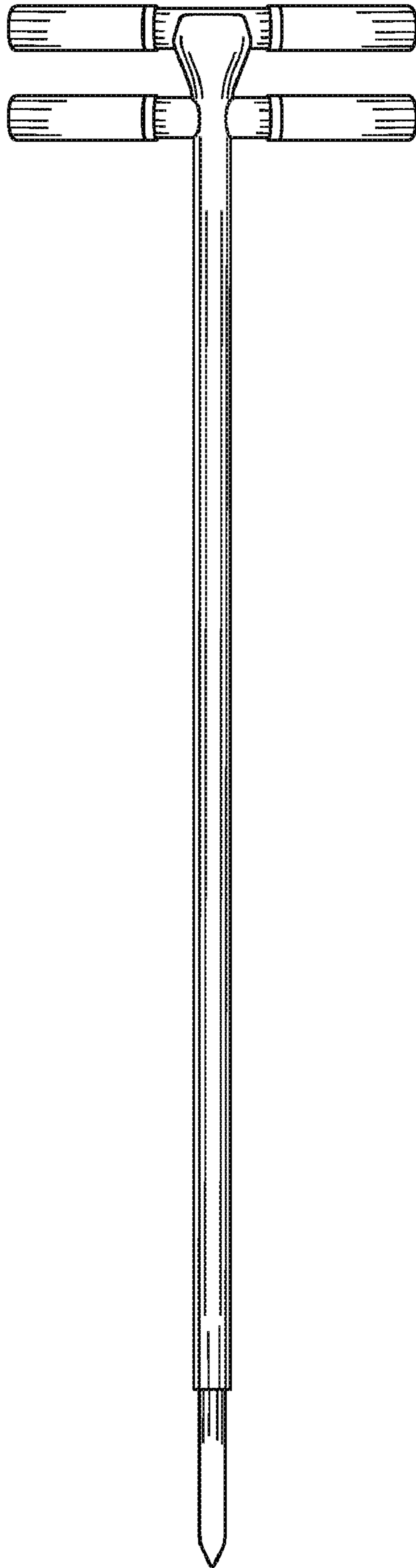


FIG. 3

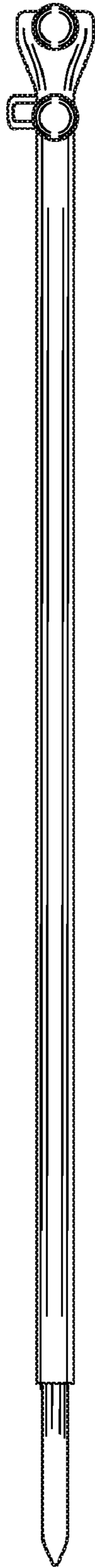


FIG. 4

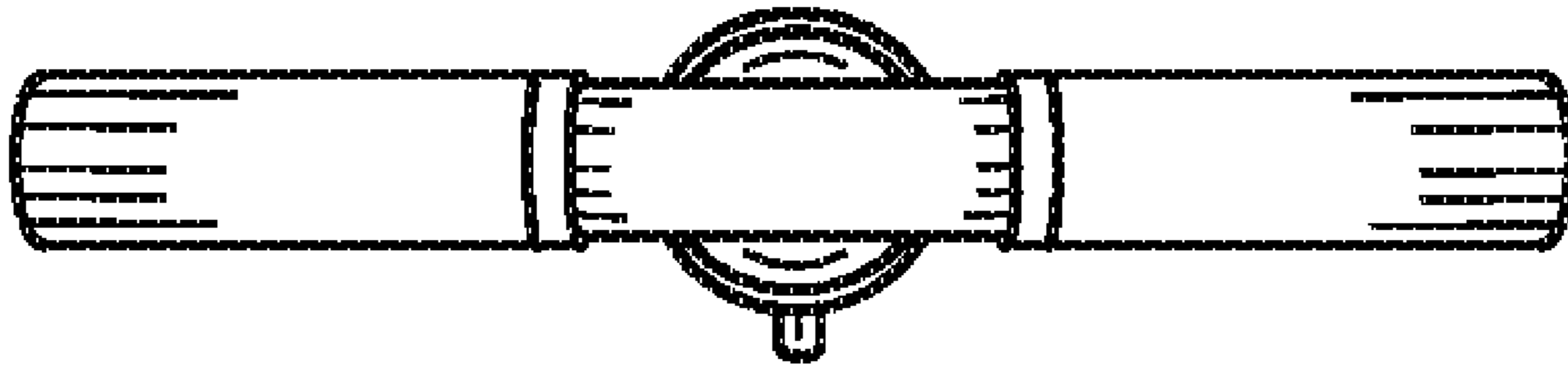


FIG. 5

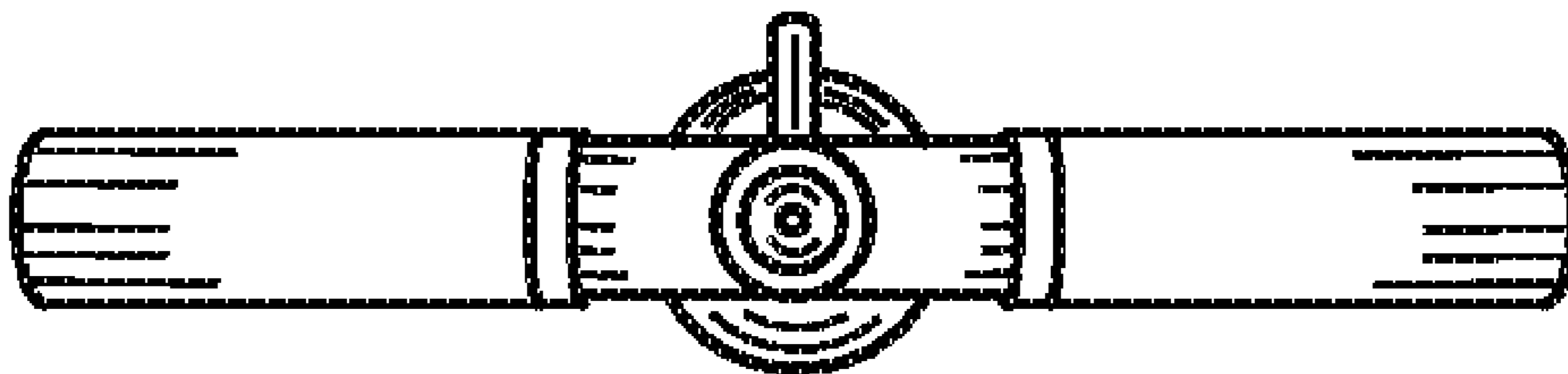


FIG. 6

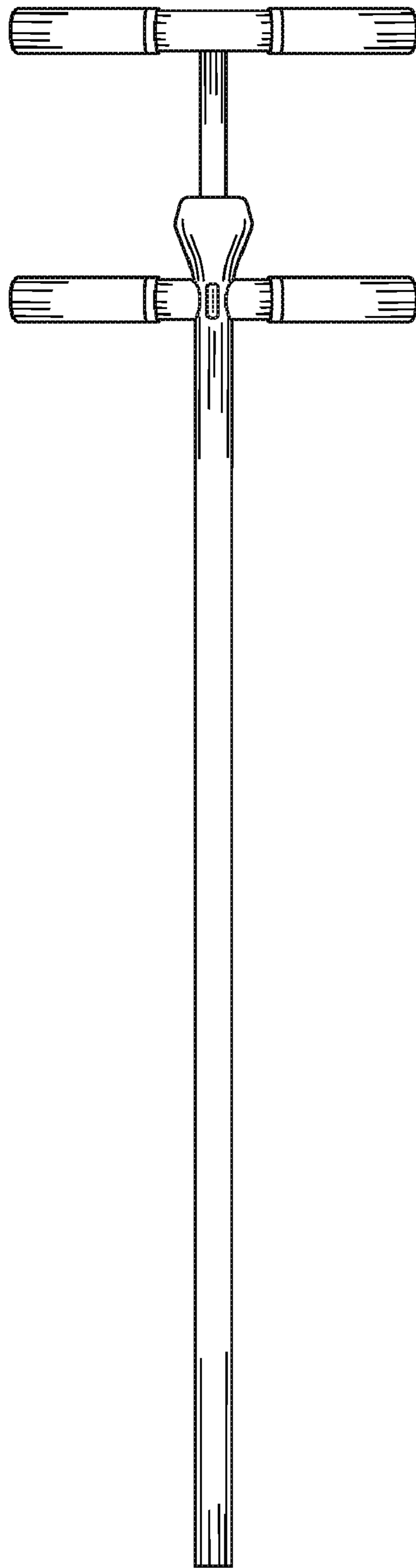


FIG. 7