

US00D568954S

(12) **United States Design Patent** (10) **Patent No.:** **US D568,954 S**
Oldknow et al. (45) **Date of Patent:** **** May 13, 2008**

(54) **GOLF CLUB HEAD FOR A PUTTER**

(75) Inventors: **Andrew G. V. Oldknow**, Beaverton, OR (US); **David N. Franklin**, Granbury, TX (US); **John T. Stites**, Weatherford, TX (US)

(73) Assignee: **Nike, Inc.**, Beaverton, OR (US)

(**) Term: **14 Years**

(21) Appl. No.: **29/297,231**

(22) Filed: **Nov. 7, 2007**

(51) **LOC (8) Cl.** **21-02**

(52) **U.S. Cl.** **D21/759**

(58) **Field of Classification Search** D21/736-746, D21/759; 473/324-331, 340-341, 251-256
See application file for complete search history.

(56) **References Cited**

U.S. PATENT DOCUMENTS

D373,162 S	8/1996	Meyer et al.	
D420,078 S *	2/2000	Dawson D21/736
6,422,950 B1	7/2002	Whitlam	
6,497,628 B1	12/2002	Gunderson	
6,533,680 B2	3/2003	Wu	
D474,821 S	5/2003	Wells et al.	
D486,872 S	2/2004	Schweigert et al.	
6,699,142 B2	3/2004	Wu	
D517,143 S	3/2006	Petsel et al.	
D523,107 S	6/2006	Grace	
D531,241 S	10/2006	Hueber	
D532,844 S *	11/2006	Rollinson D21/736
D532,845 S *	11/2006	Rollinson D21/736
D534,974 S *	1/2007	Haack D21/743

7,169,061 B2 1/2007 Hou
2007/0111816 A1 5/2007 Zielke et al.
2007/0213140 A1 9/2007 Miller

OTHER PUBLICATIONS

Golfsmith, 1996 Catalog, Golden Arrow Putter #1, p. 40, dated 1996.
Golfsmith 1999 Catalog, Longshot Putterheads #4155, p. 75, dated 1999.
Golfsmith 2001 Catalog, Longshot Putters #4065, p. 42, dated 2001.
* cited by examiner

Primary Examiner—Mitchell Siegel

(74) *Attorney, Agent, or Firm*—Banner & Witcoff, Ltd.

(57) **CLAIM**

The ornamental design for a golf club head for a putter, as shown and described.

DESCRIPTION

FIG. 1 is a top perspective view of a golf club head for a putter showing our new design;

FIG. 2 is a rear view thereof;

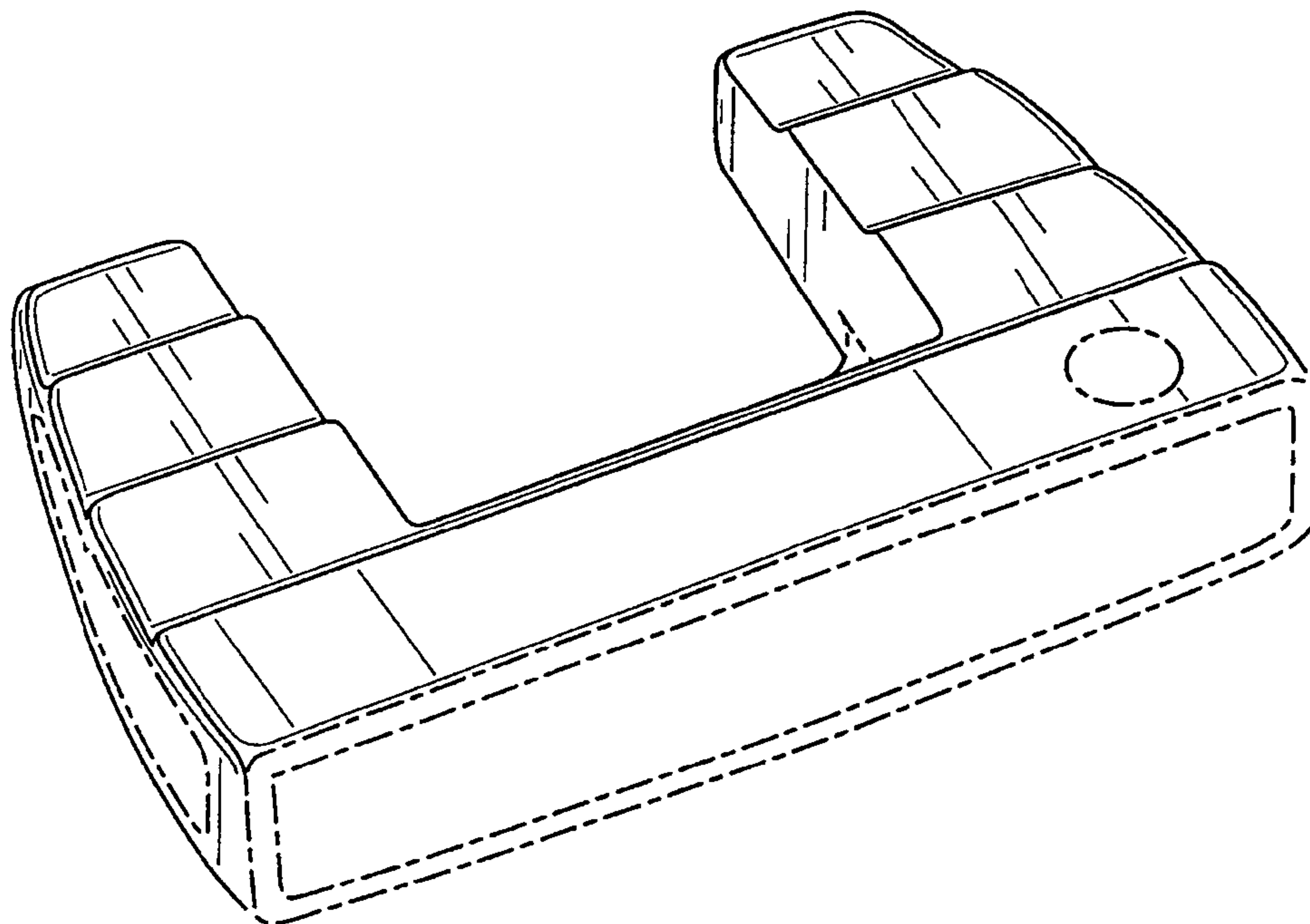
FIG. 3 is a toe end view thereof;

FIG. 4 is a heel end view thereof; and,

FIG. 5 is a top view thereof

The uneven broken lines immediately adjacent to the shaded area represent unclaimed boundaries of the design. The unshaded regions within the shaded regions, and the uneven broken line showing of the remainder of the golf club head for a putter are for illustrative purposes only and form no part of the claimed design.

1 Claim, 4 Drawing Sheets



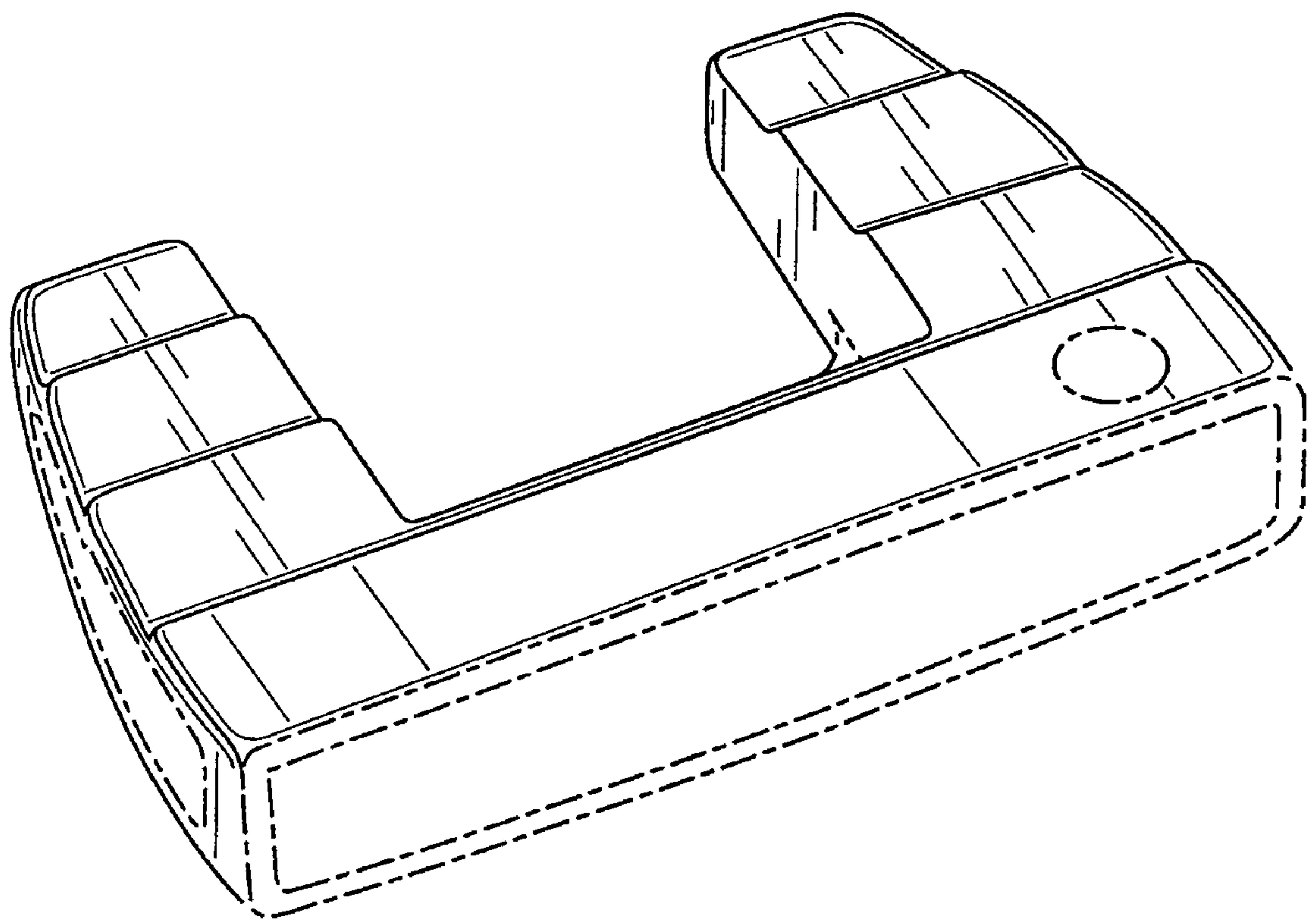


FIG. 1

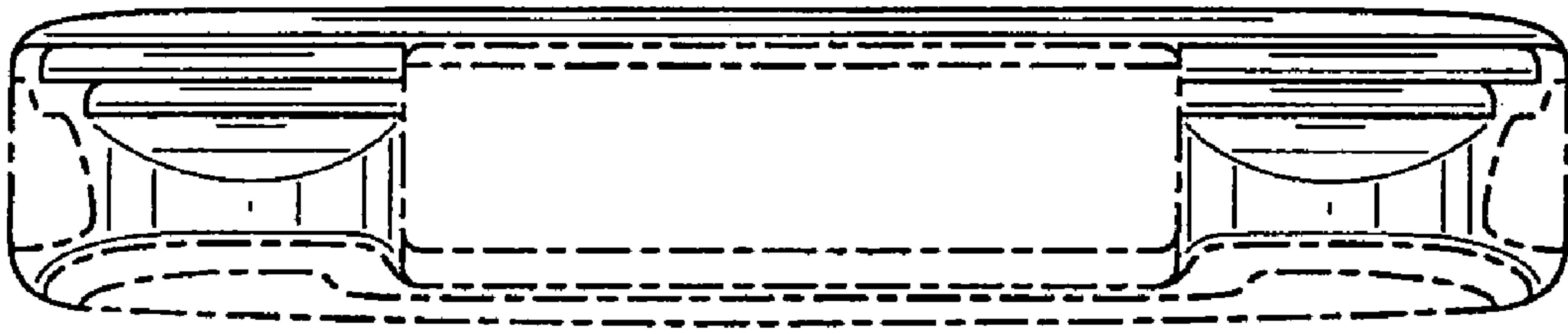


FIG. 2

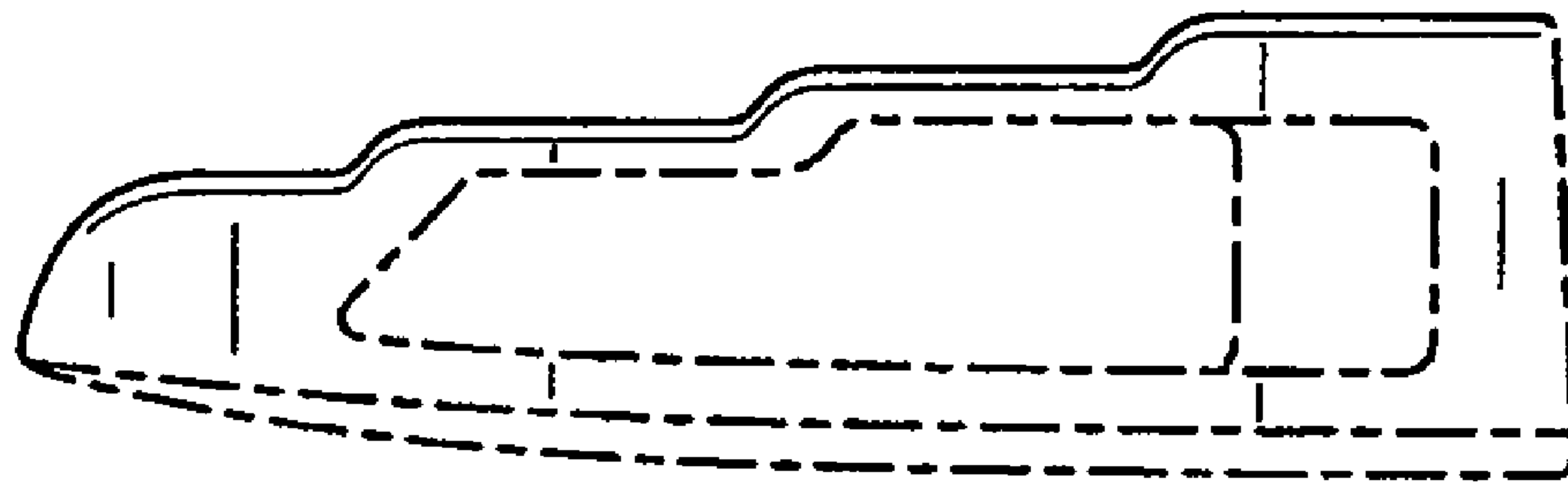


FIG. 3

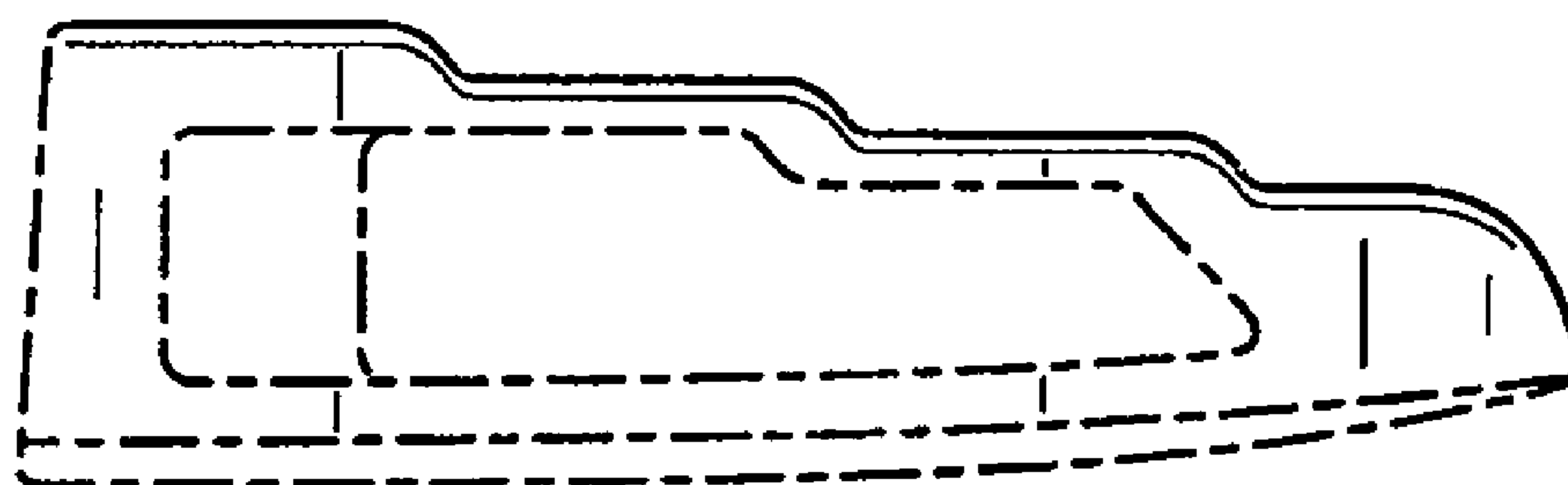


FIG. 4

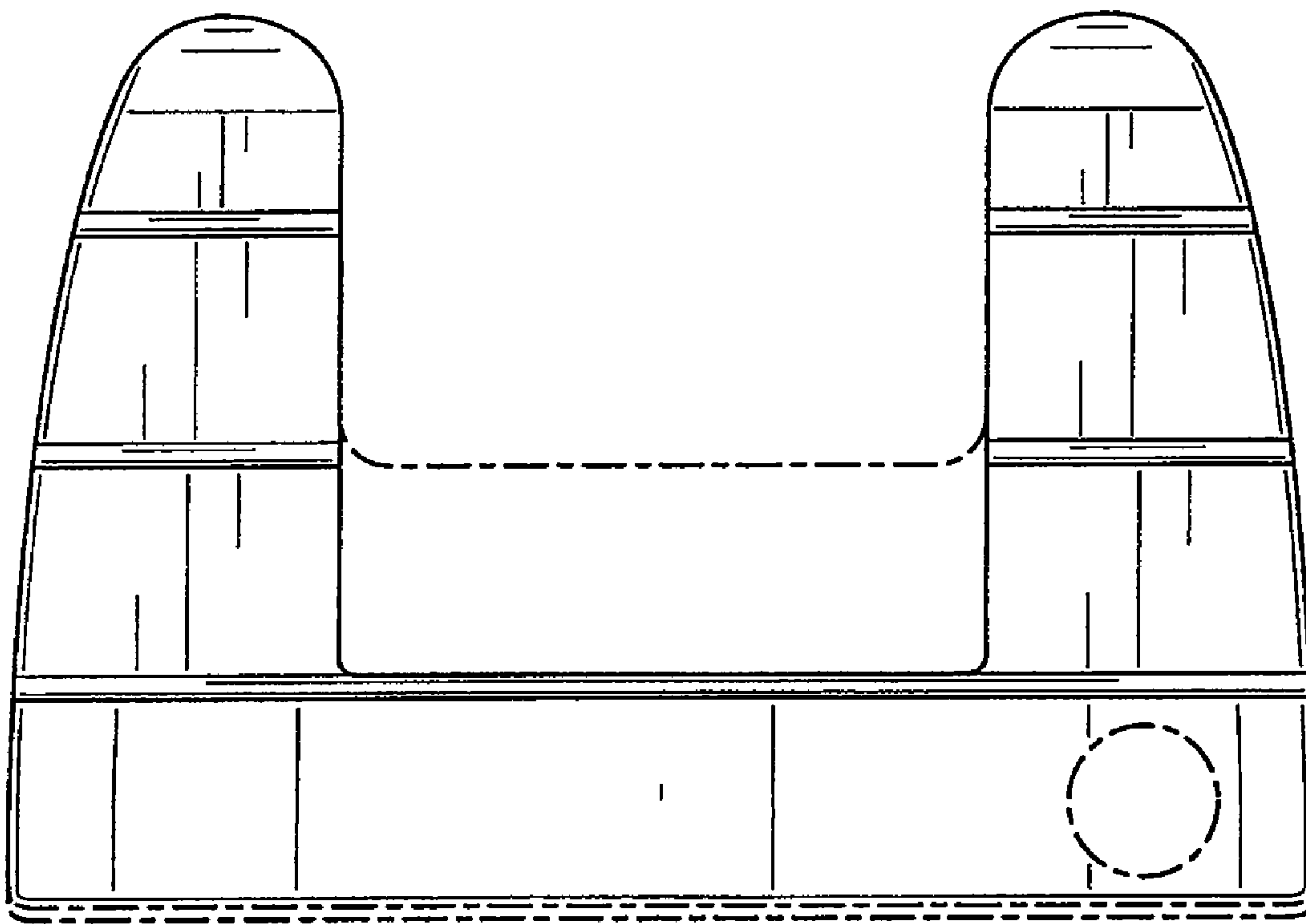


FIG. 5