



US00D568952S

(12) **United States Design Patent**  
**Foley**

(10) **Patent No.:** **US D568,952 S**  
(45) **Date of Patent:** **\*\* May 13, 2008**

(54) **EXERCISE EQUIPMENT PACK**

(76) Inventor: **John Foley**, 12 Vera Pl., Montclair, NJ  
(US) 07042

(\*\*) Term: **14 Years**

(21) Appl. No.: **29/256,421**

(22) Filed: **Mar. 20, 2006**

(51) **LOC (8) Cl.** ..... **21-02**

(52) **U.S. Cl.** ..... **D21/683; D21/662; D3/254**

(58) **Field of Classification Search** ..... D21/662,  
D21/680, 681, 682, 683, 684; D3/254, 274,  
D3/282; 224/153; 482/105, 106, 108, 93  
See application file for complete search history.

(56) **References Cited**

**U.S. PATENT DOCUMENTS**

3,664,666	A *	5/1972	Lloyd	482/133
4,431,185	A	2/1984	Cisneros	
4,944,509	A	7/1990	Snider	
4,948,122	A	8/1990	Andrews, Sr.	
5,299,999	A	4/1994	Brine	
5,607,380	A	3/1997	Duty	
5,697,870	A *	12/1997	Osborn	482/52
5,709,634	A *	1/1998	Pointer	482/105
D396,555	S *	8/1998	Parker et al.	D3/279
5,997,442	A	12/1999	Cordes	
D428,699	S *	8/2000	Gibson et al.	D3/282
6,123,651	A	9/2000	Ellenburg	
6,216,926	B1 *	4/2001	Pratt	224/153
6,245,001	B1 *	6/2001	Siaperas	482/142
D479,910	S *	9/2003	Michler et al.	D3/282
6,634,998	B2 *	10/2003	Siaperas	482/142
6,908,417	B2 *	6/2005	Jackson	482/52
7,001,315	B1 *	2/2006	Diodati	482/121

\* cited by examiner

Primary Examiner—Philip S. Hyder

(74) Attorney, Agent, or Firm—Dickstein Shapiro LLP

(57) **CLAIM**

The ornamental design for an exercise equipment pack, as shown and described.

**DESCRIPTION**

FIG. 1 is a front perspective view of an exercise equipment pack showing my new design;

FIG. 2 is a front view of the exercise equipment pack shown in FIG. 1;

FIG. 3 is a back view of the exercise equipment pack shown in FIG. 1;

FIG. 4 is a left side view of the exercise equipment pack shown in FIG. 1, the right side view being a mirror image thereof;

FIG. 5 is a top view of the exercise equipment pack shown in FIG. 1;

FIG. 6 is a bottom view of the exercise equipment pack shown in FIG. 1;

FIG. 7 is a rear perspective view of the exercise equipment pack shown in FIG. 1 in the open position;

FIG. 8 is a front perspective view of the exercise equipment pack shown in FIG. 1 in the open position;

FIG. 9 is a right side view of the exercise equipment pack shown in FIG. 1 in the open position, the left side view in the open position being a mirror image thereof;

FIG. 10 is a bottom view of the exercise equipment pack shown in FIG. 1 in the open position;

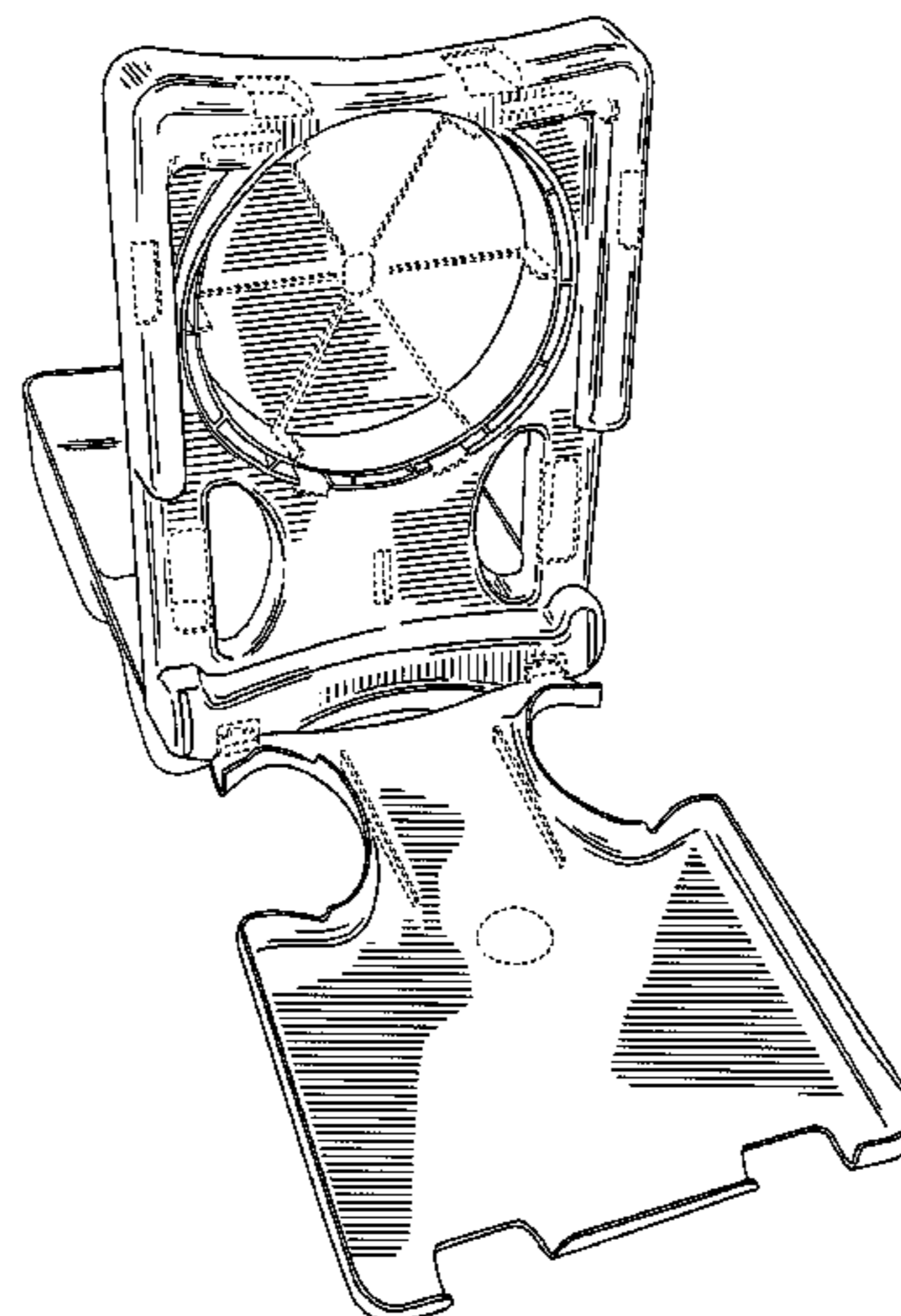
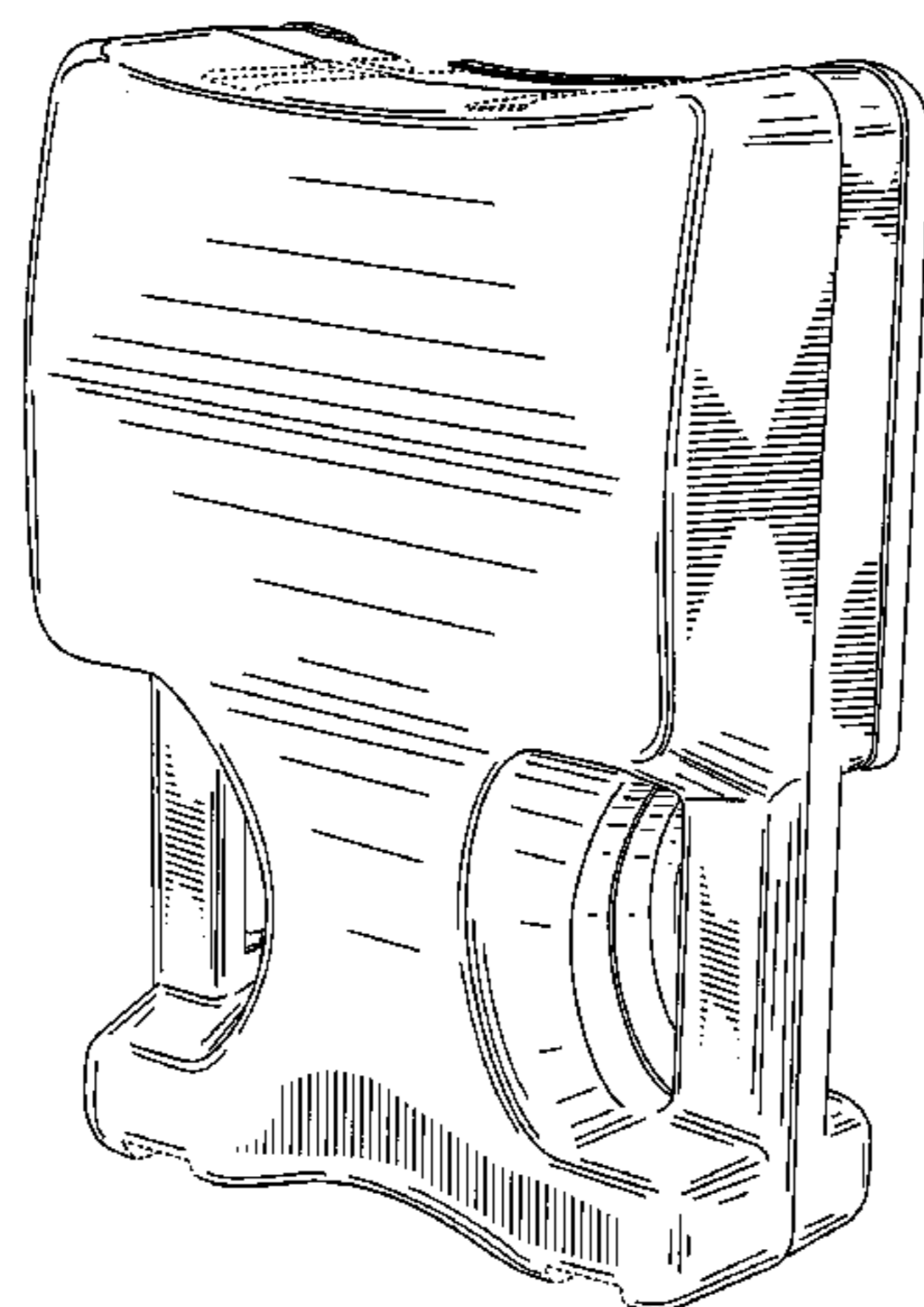
FIG. 11 is a top view of the exercise equipment pack shown in FIG. 1 in the open position;

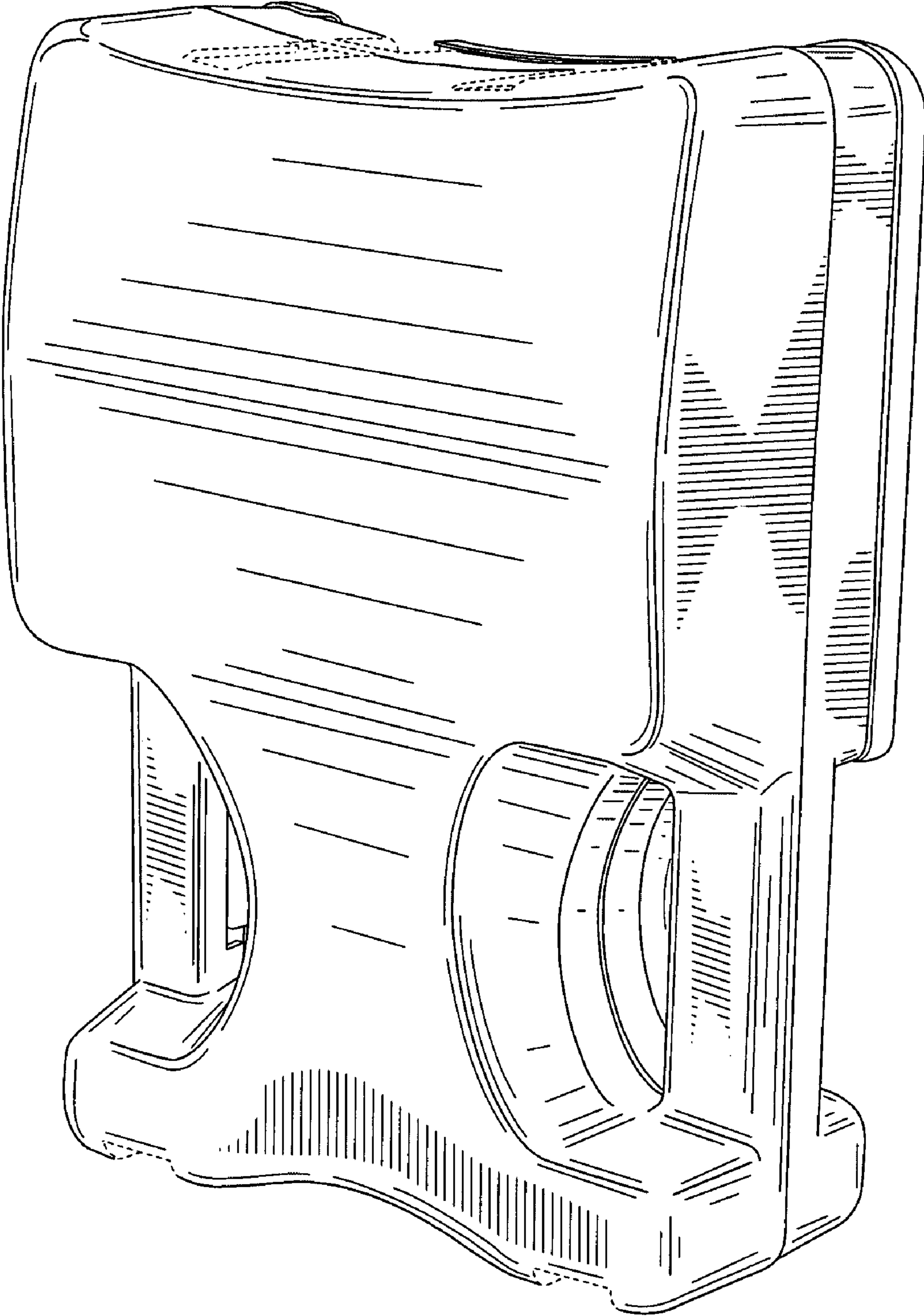
FIG. 12 is a front view of the exercise equipment pack shown in FIG. 1 in the open position; and,

FIG. 13 is a rear view of the exercise equipment pack shown in FIG. 1 in the open position.

The broken lines shown in FIGS. 1–3 and 5–13 of the drawings are for illustrative purposes only and form no part of the claimed design.

**1 Claim, 12 Drawing Sheets**





**FIG. 1**

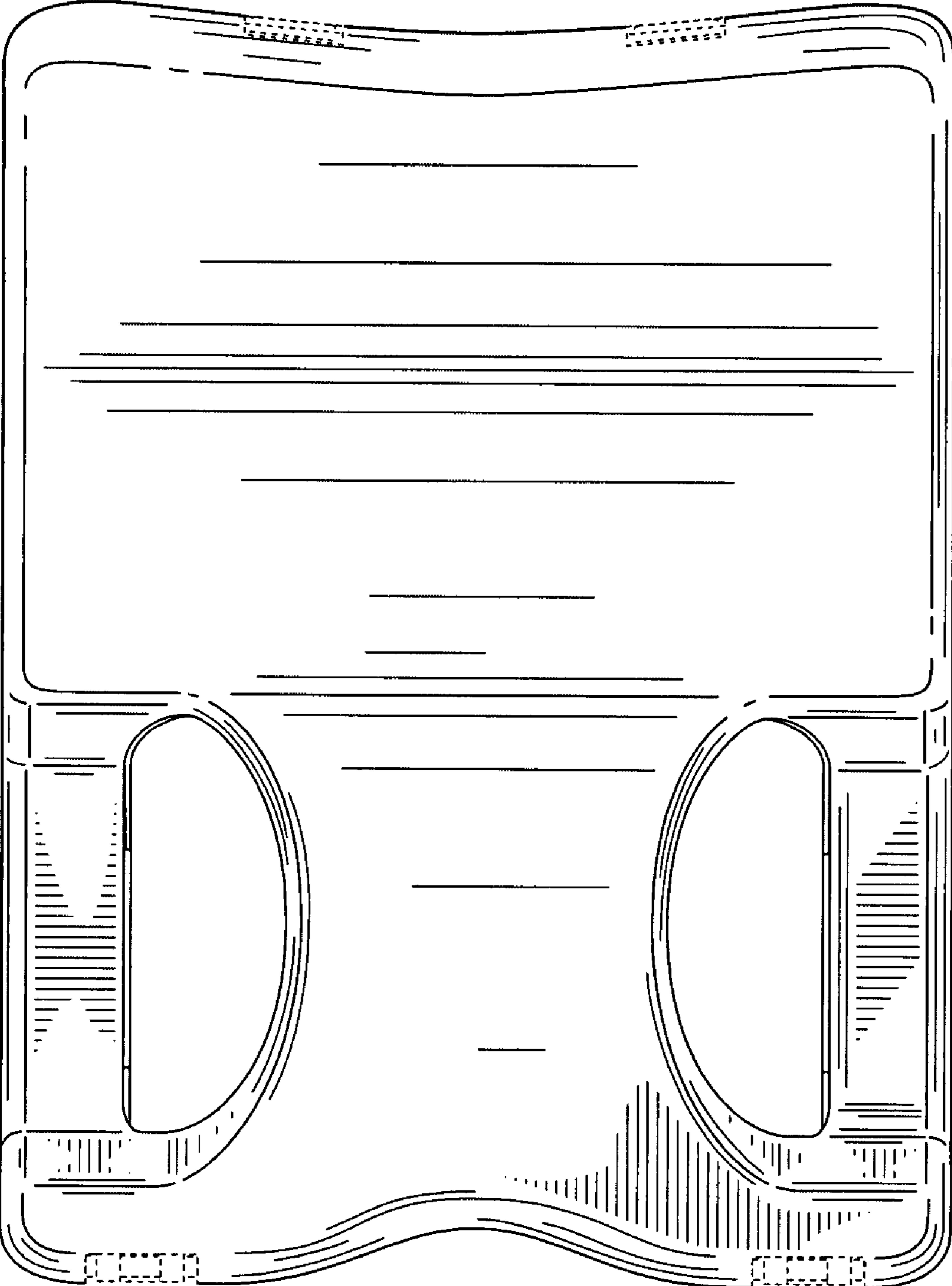
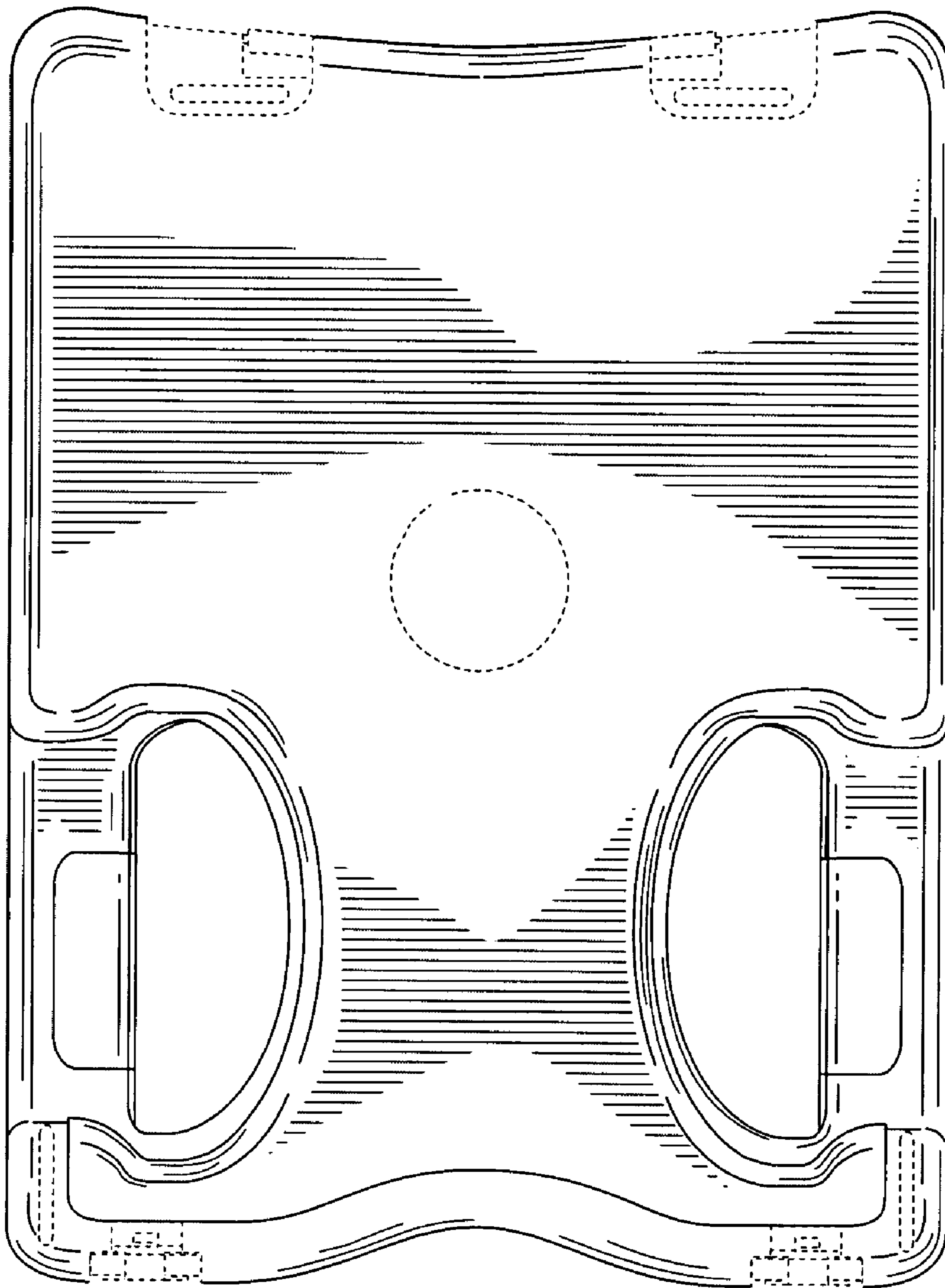
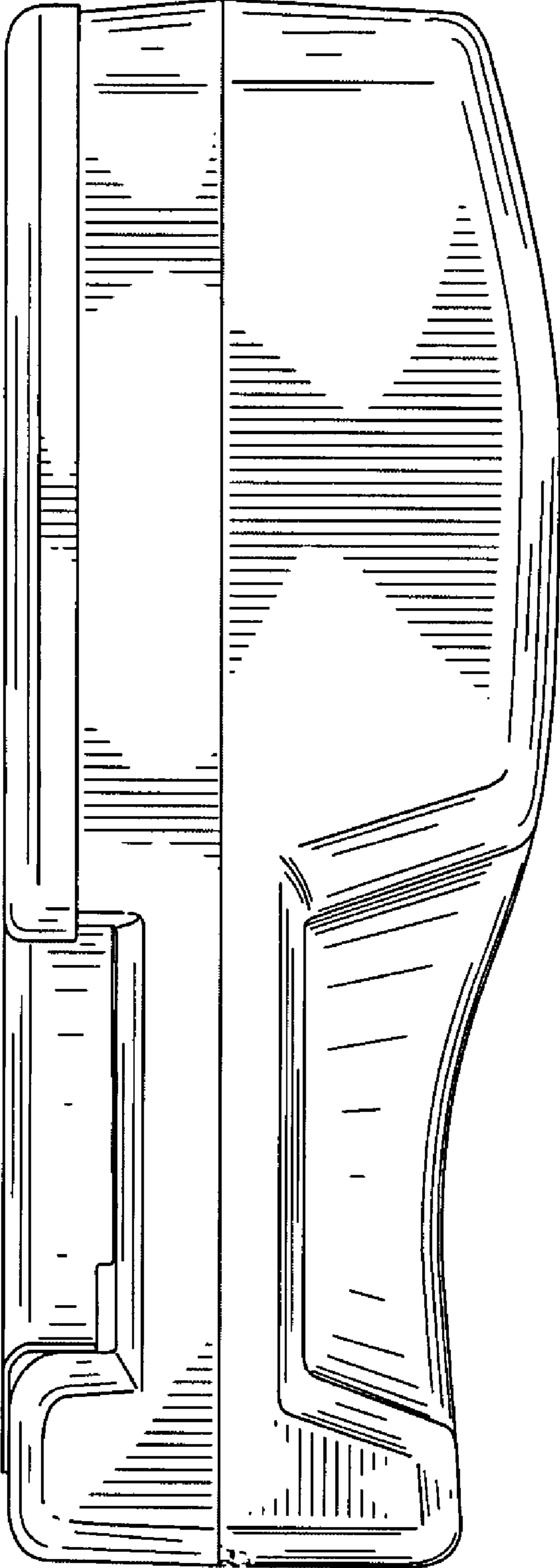


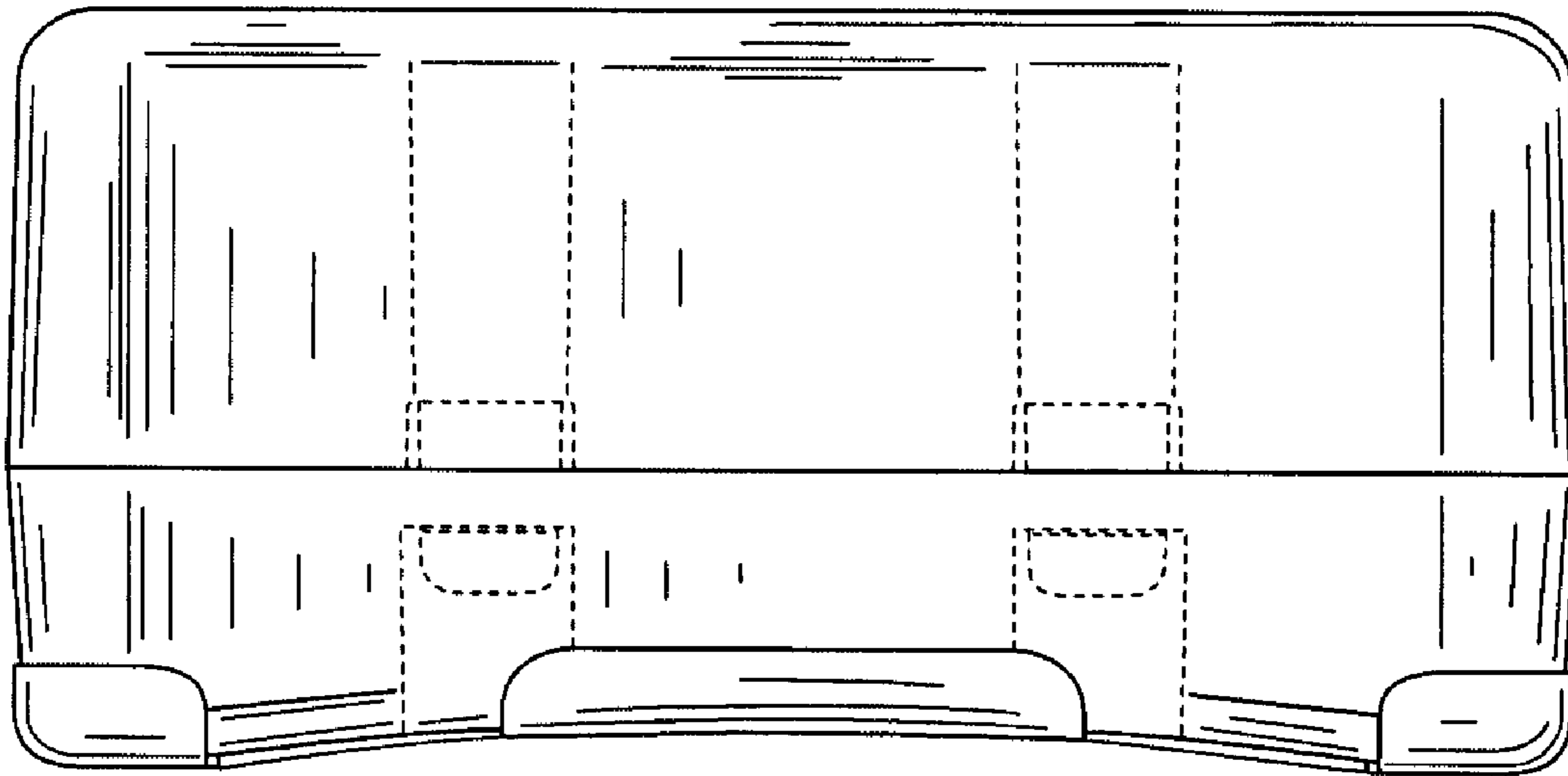
FIG. 2



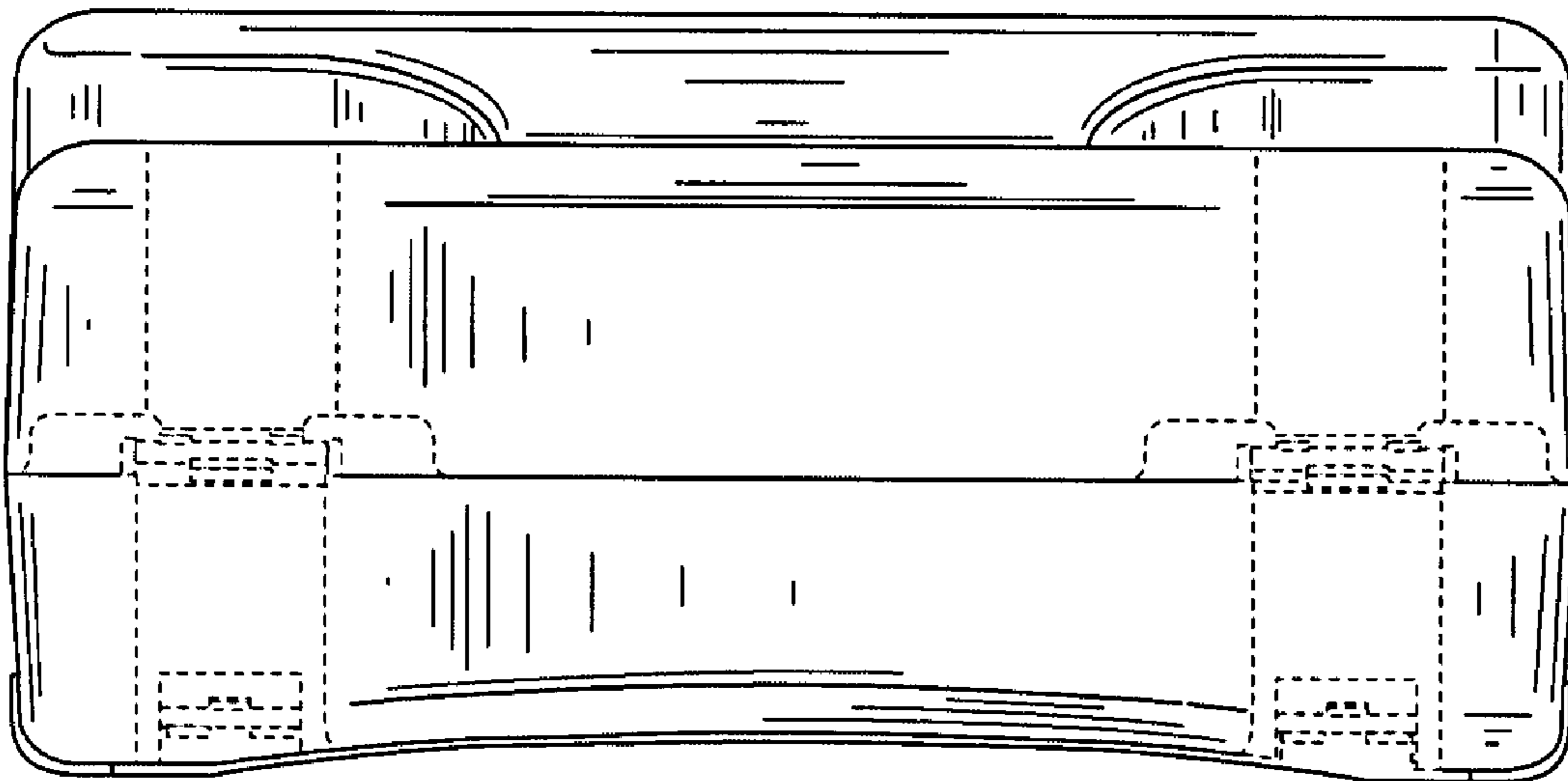
**FIG. 3**



**FIG. 4**



**FIG. 5**



**FIG. 6**

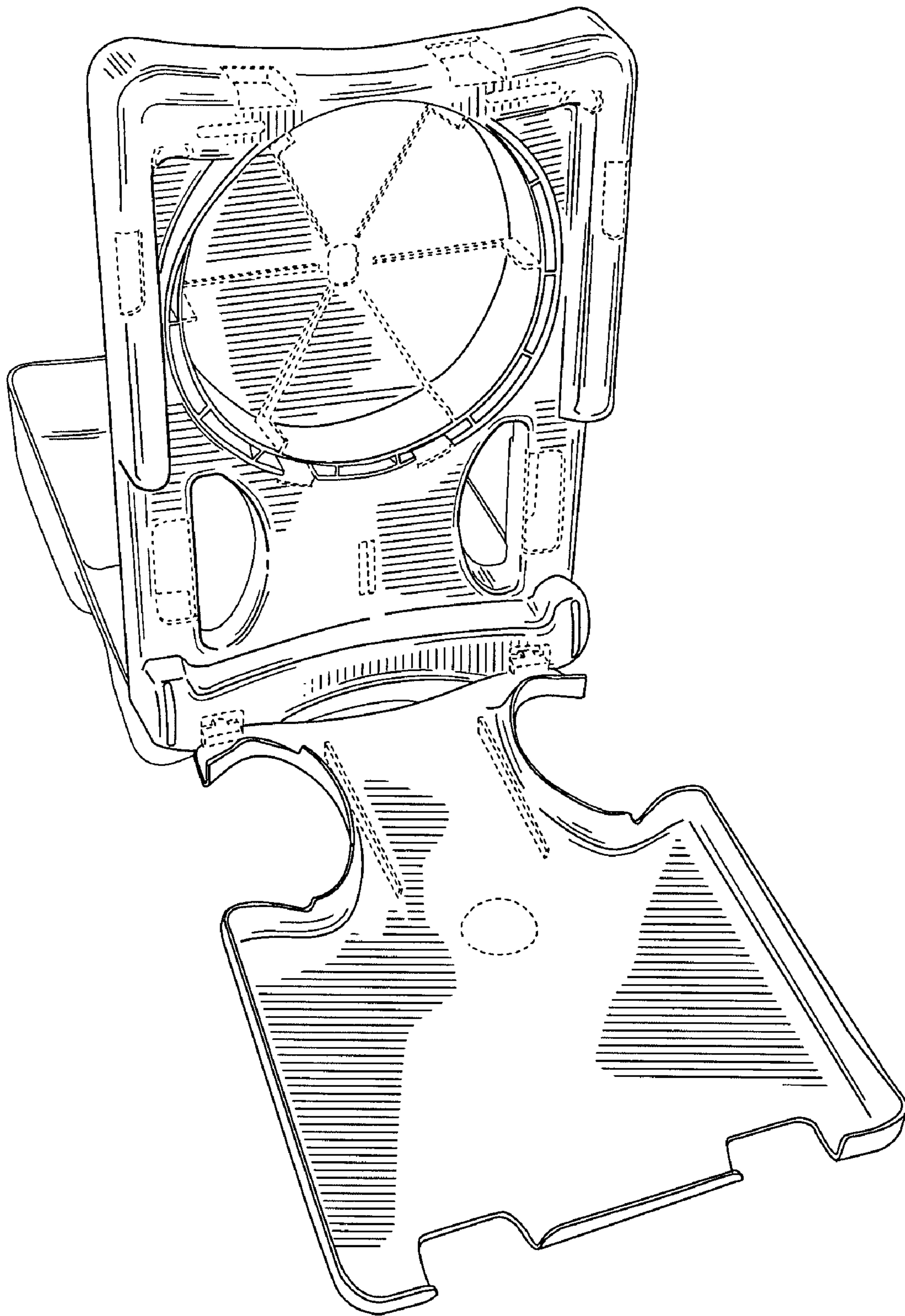


FIG. 7

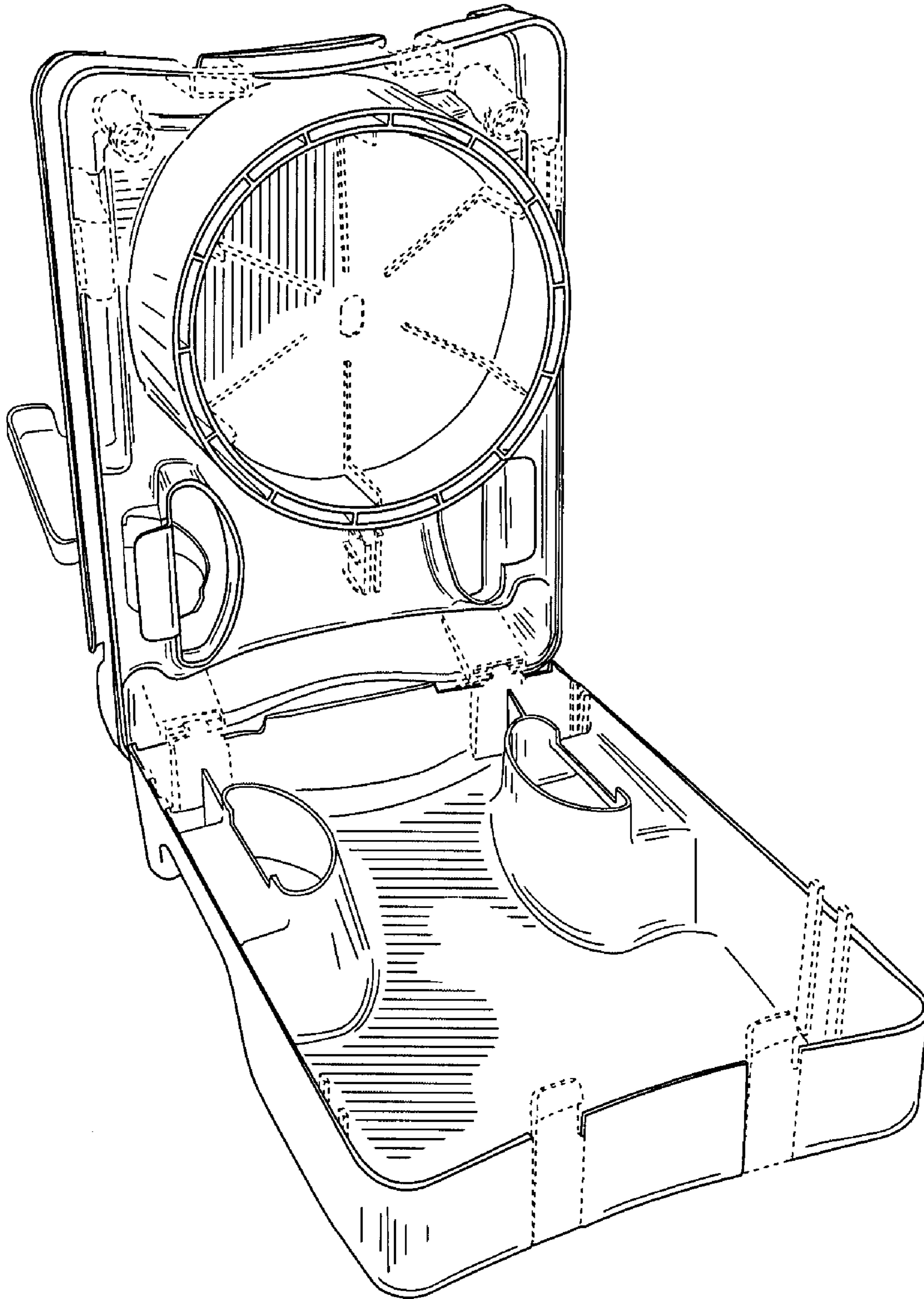
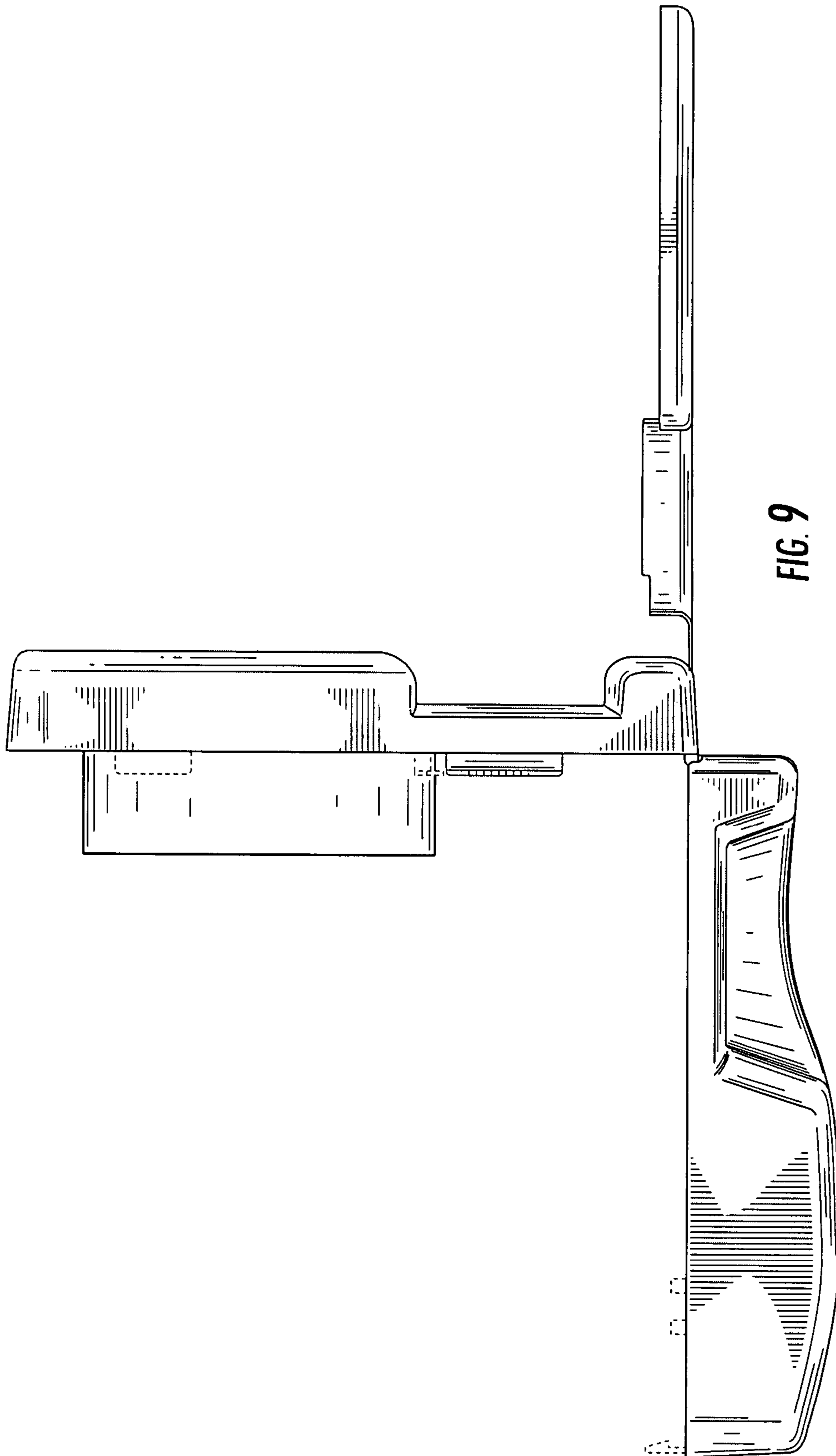


FIG. 8





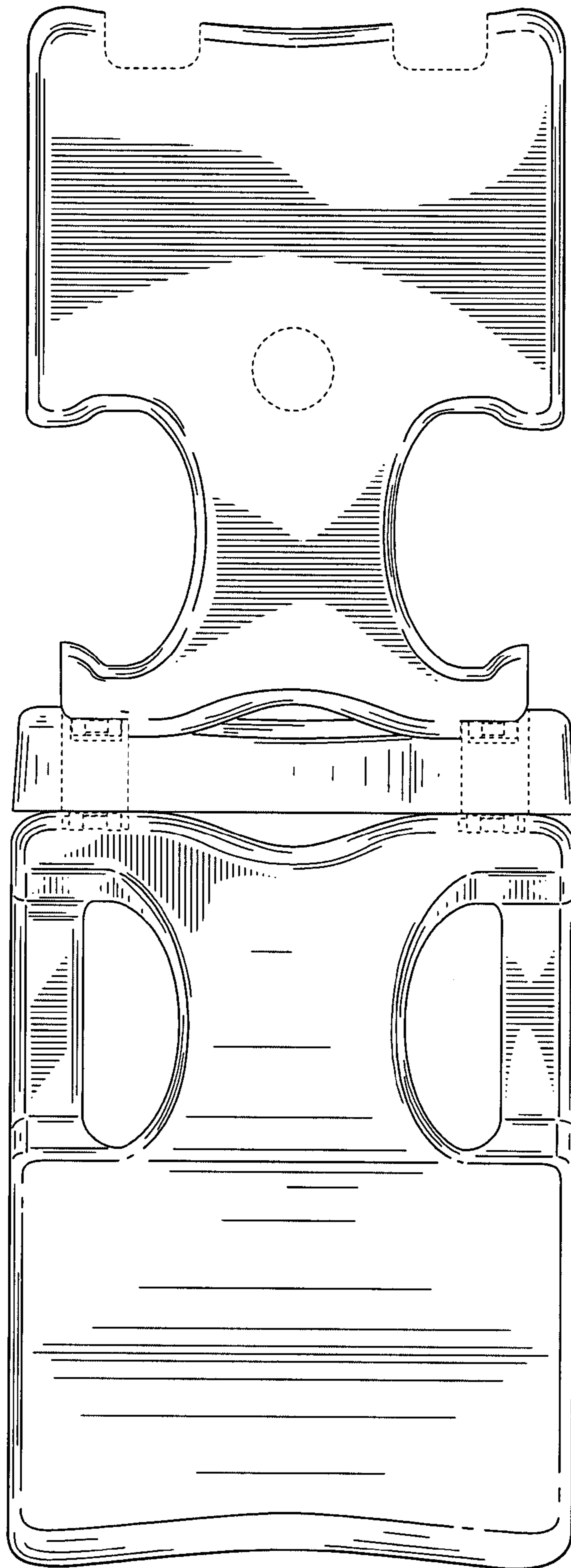


FIG. 10

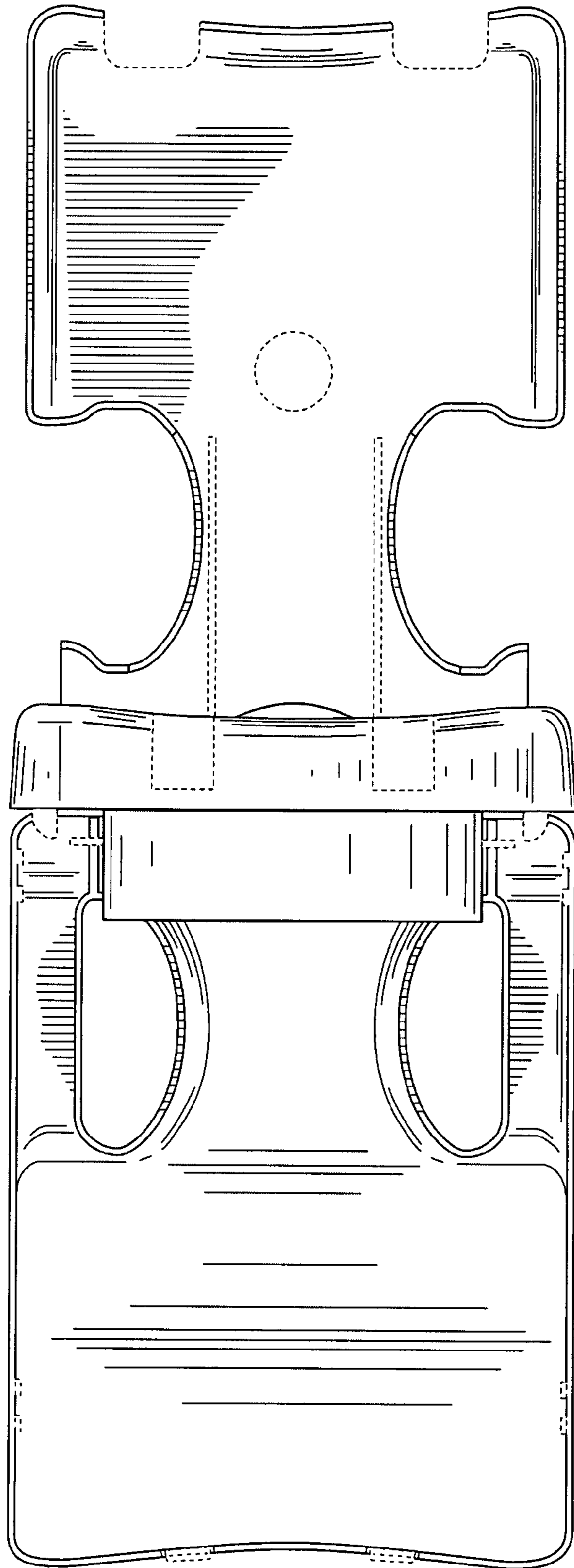
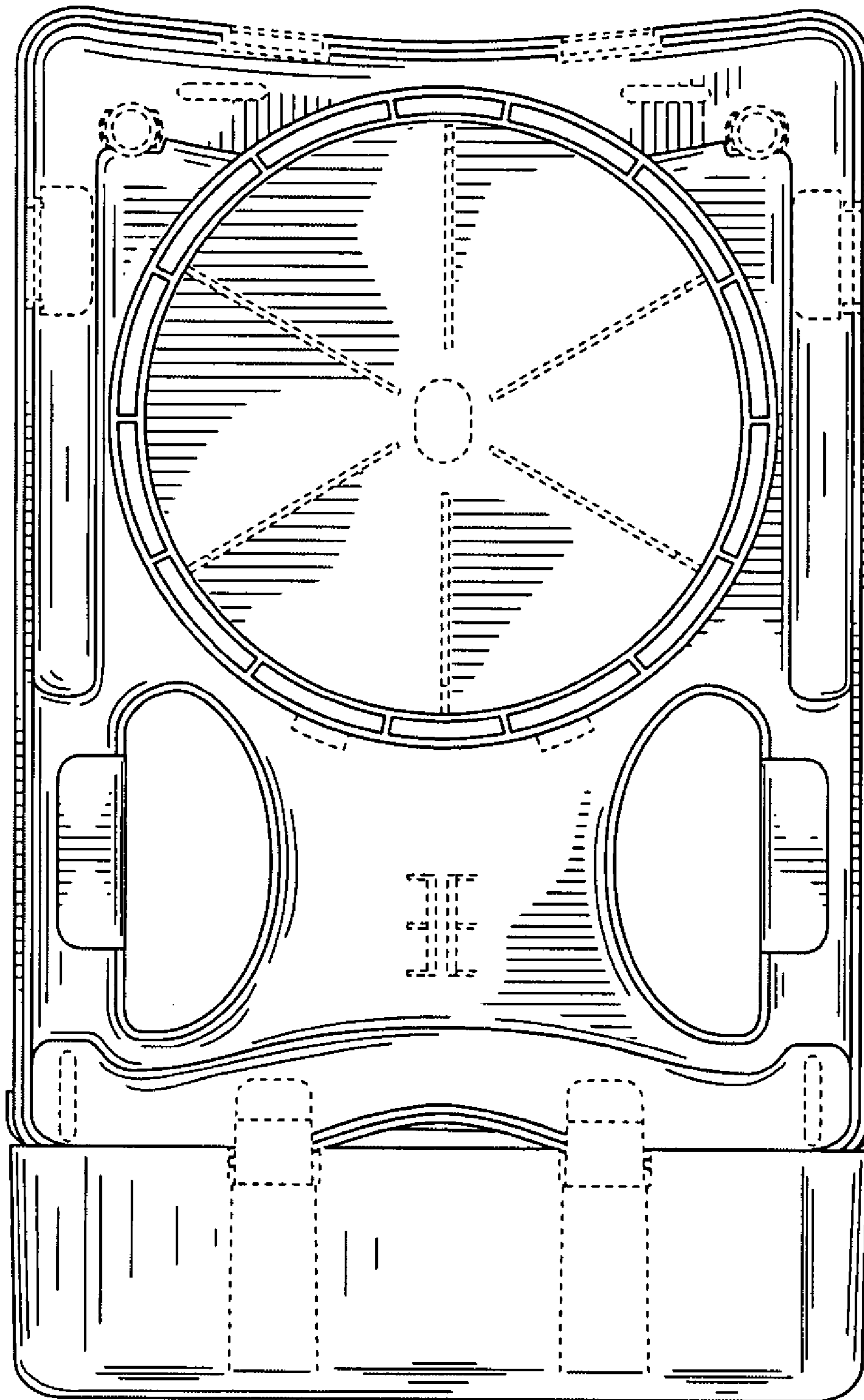
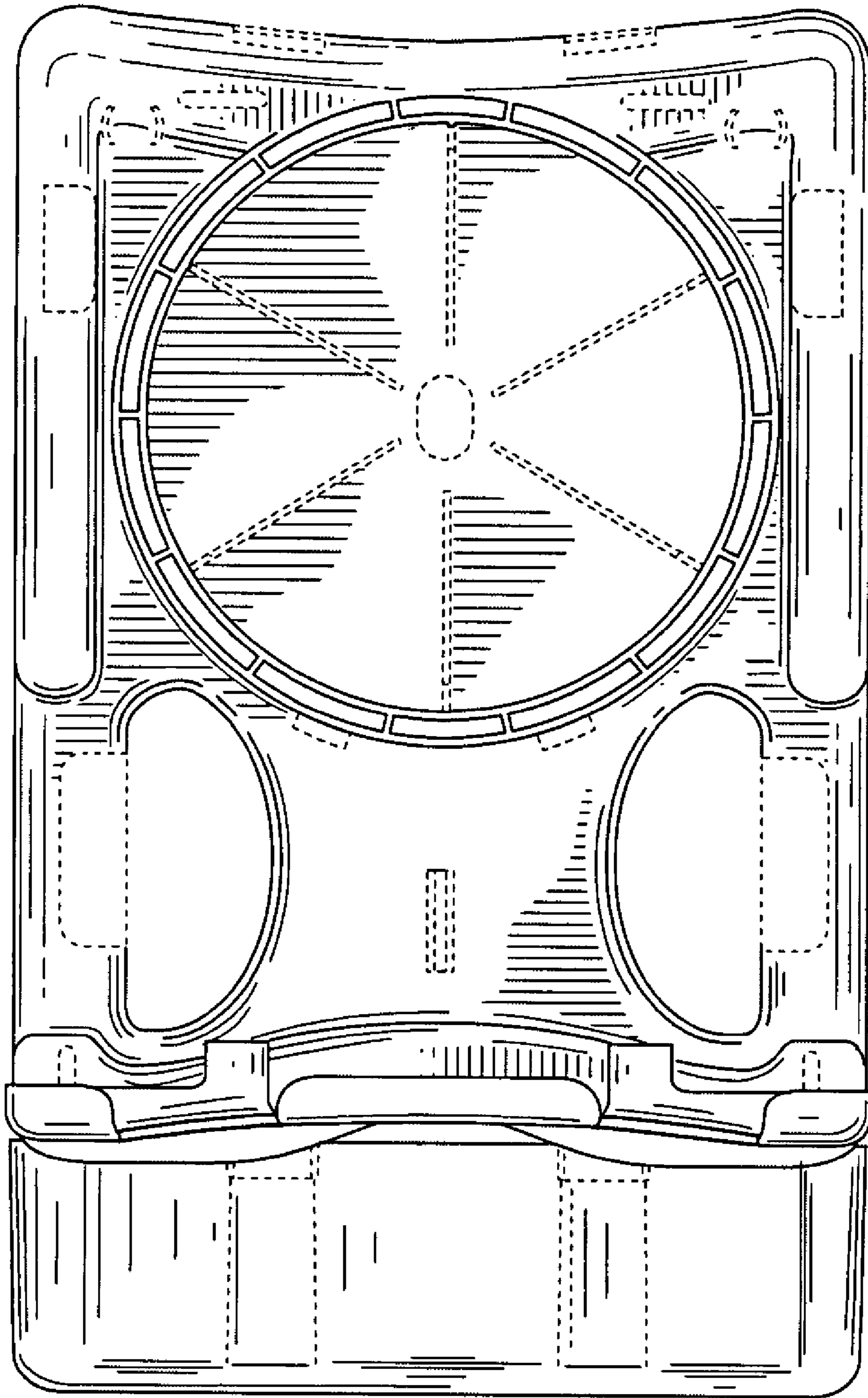


FIG. 11



**FIG. 12**



**FIG. 13**