



US00D568951S

(12) **United States Design Patent**  
**Tornabene**

(10) **Patent No.:** **US D568,951 S**

(45) **Date of Patent:** **\*\* May 13, 2008**

(54) **EXERCISE EQUIPMENT**

(76) **Inventor:** **Dean Tornabene**, 4015 Glenco Ave.,  
Unit No. 8, Marina Del Rey, CA (US)  
90292

(\*\*) **Term:** **14 Years**

(21) **Appl. No.:** **29/262,995**

(22) **Filed:** **Jul. 17, 2006**

(51) **LOC (8) Cl.** ..... **21-02**

(52) **U.S. Cl.** ..... **D21/673**

(58) **Field of Classification Search** ..... D21/662,  
D21/673, 676, 686, 687, 690; 482/121, 122,  
482/123, 129, 133, 130

See application file for complete search history.

(56) **References Cited**

**U.S. PATENT DOCUMENTS**

D349,140	S	*	7/1994	Rockwell	.....	D21/674
5,338,277	A	*	8/1994	Yang	.....	482/130
D357,955	S	*	5/1995	Wilson	.....	D21/690
5,603,678	A	*	2/1997	Wilson	.....	482/97
D378,387	S	*	3/1997	Easley et al.	.....	D21/676
5,624,361	A	*	4/1997	Lai	.....	482/130

D438,578	S	*	3/2001	Kuo	.....	D21/690
D472,285	S	*	3/2003	Kuo	.....	D21/676
6,533,710	B2	*	3/2003	Lin et al.	.....	482/123
6,752,745	B1	*	6/2004	Davis	.....	482/72
7,044,899	B2	*	5/2006	Kuo	.....	482/121
7,125,366	B1	*	10/2006	Yeh	.....	482/140

\* cited by examiner

*Primary Examiner*—Philip S. Hyder

(74) *Attorney, Agent, or Firm*—Howard A. Kenyon

(57) **CLAIM**

The ornamental design for an exercise equipment, as shown and described.

**DESCRIPTION**

FIG. 1 is a perspective view of the exercise equipment.

FIG. 2 is a right side view of the exercise equipment.

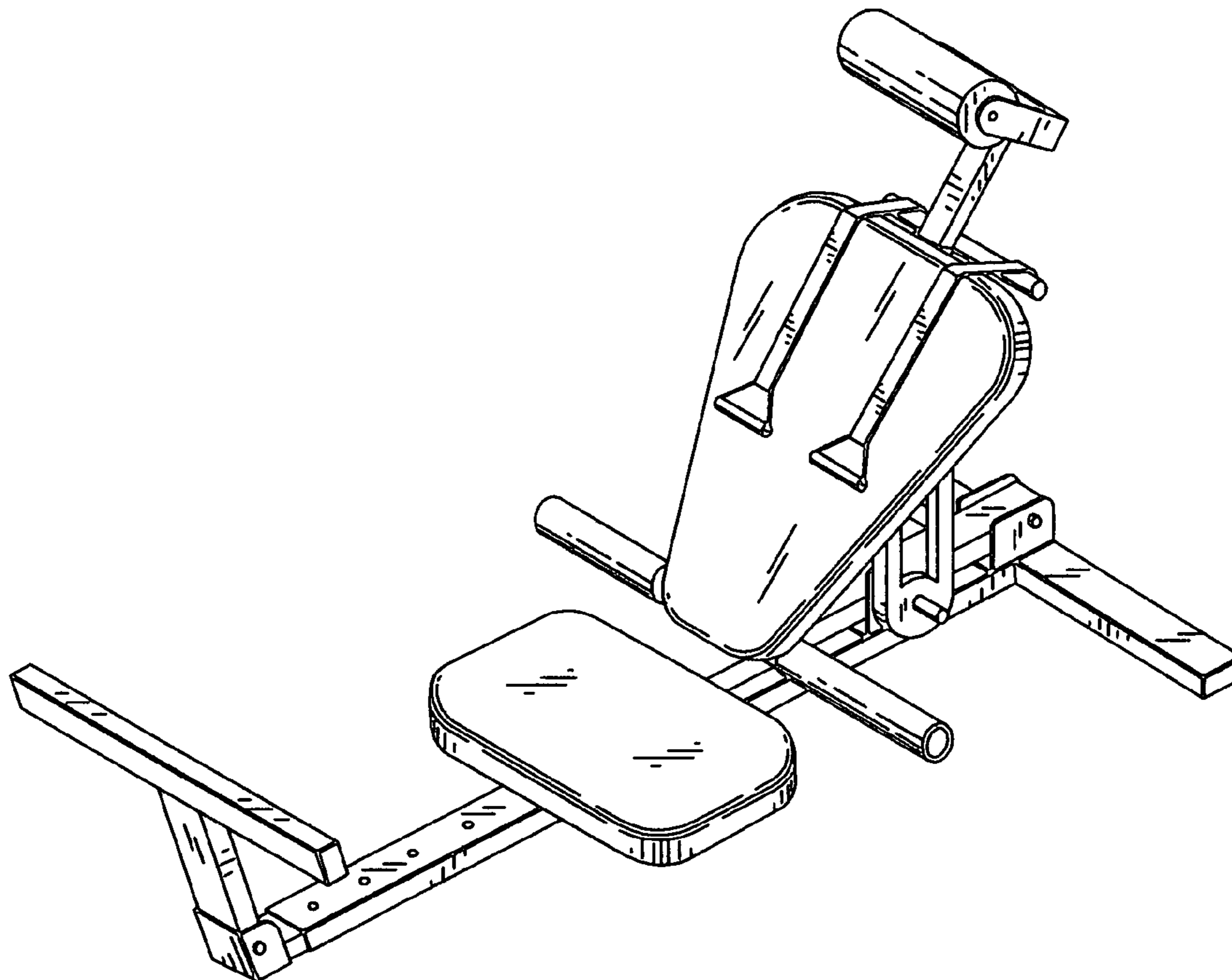
FIG. 3 is a rear view of the exercise equipment.

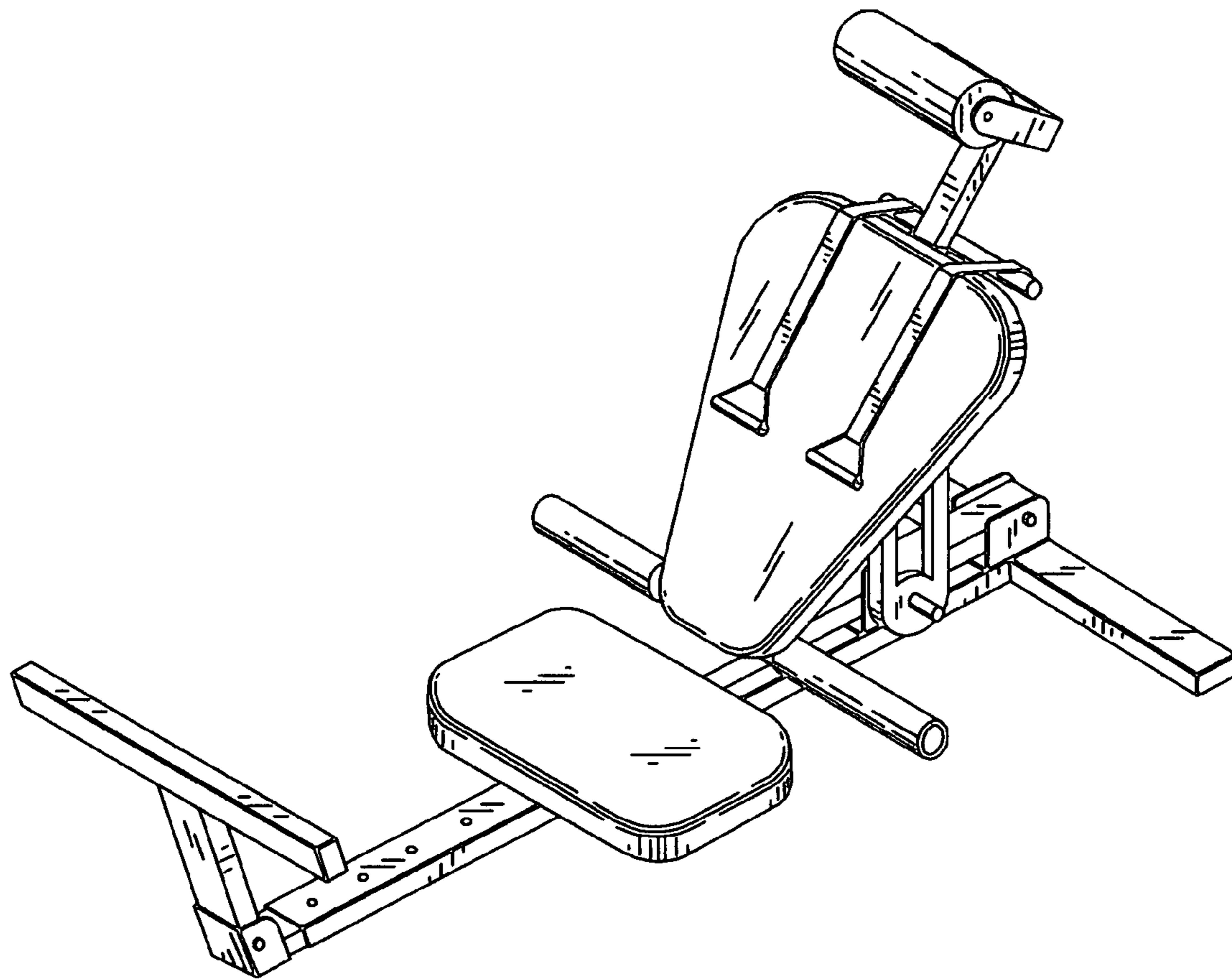
FIG. 4 is a left side view of the exercise equipment

FIG. 5 is a front view of the exercise equipment; and,

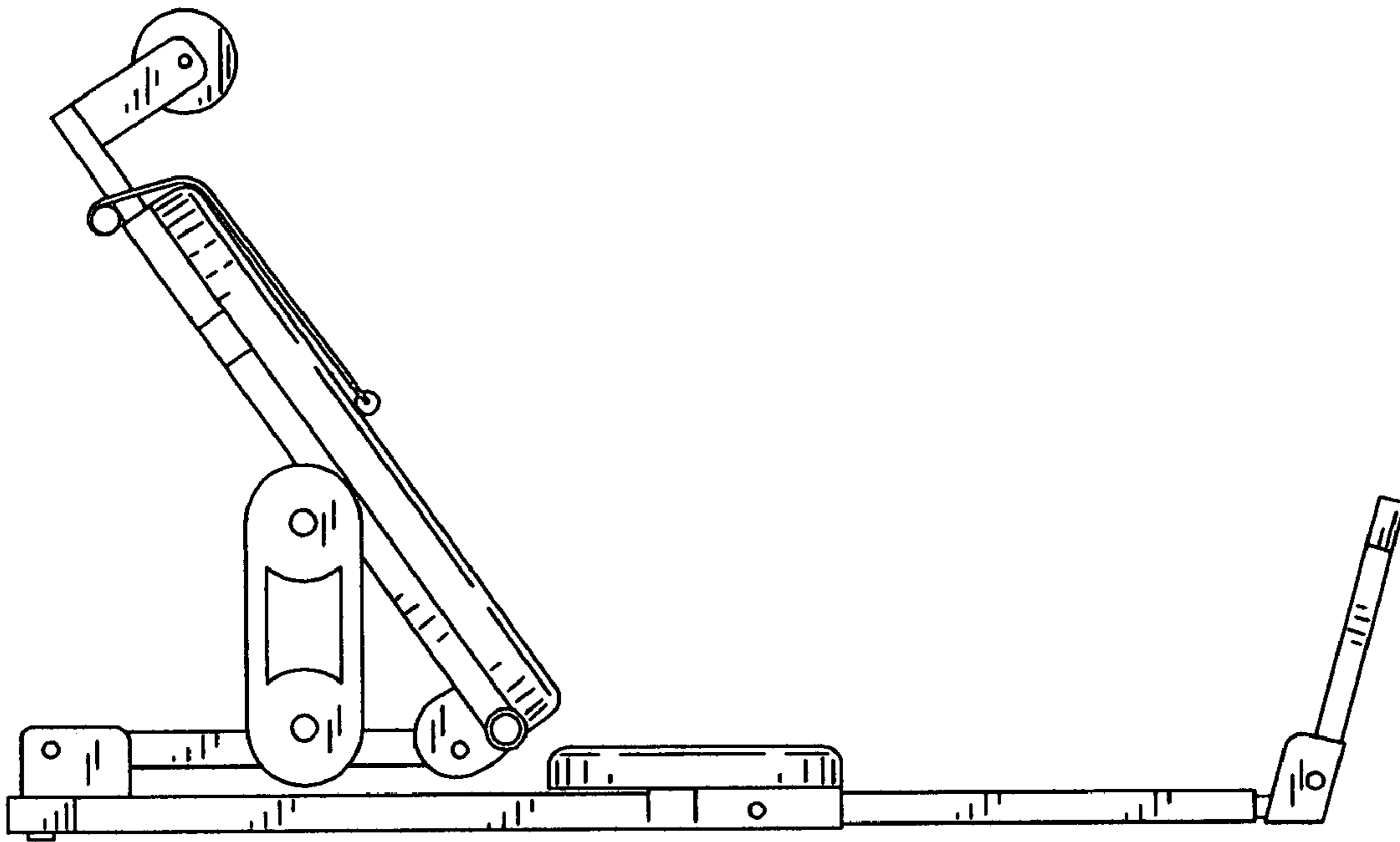
FIG. 6 is a left side view of the exercise equipment in the closed position.

**1 Claim, 3 Drawing Sheets**

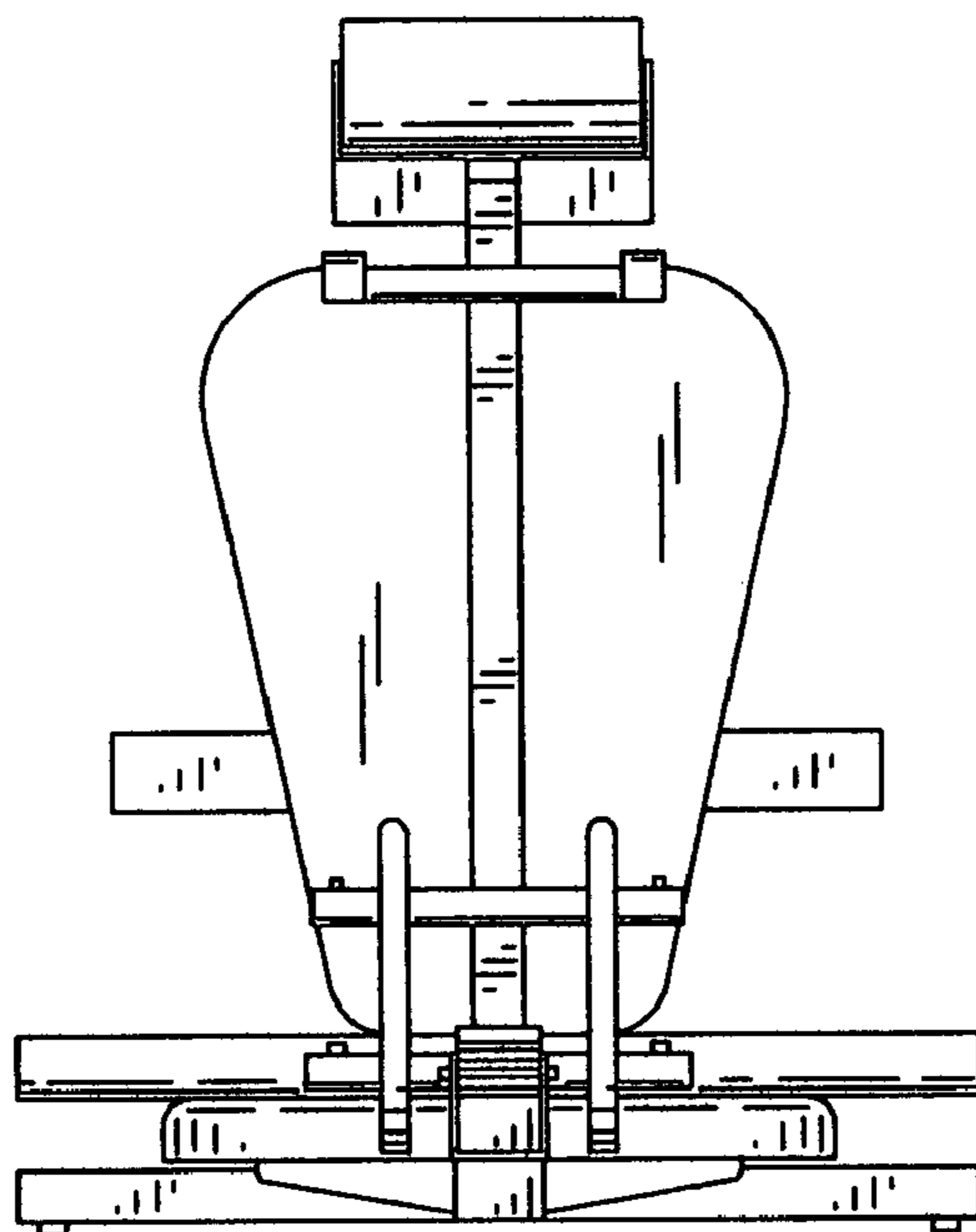




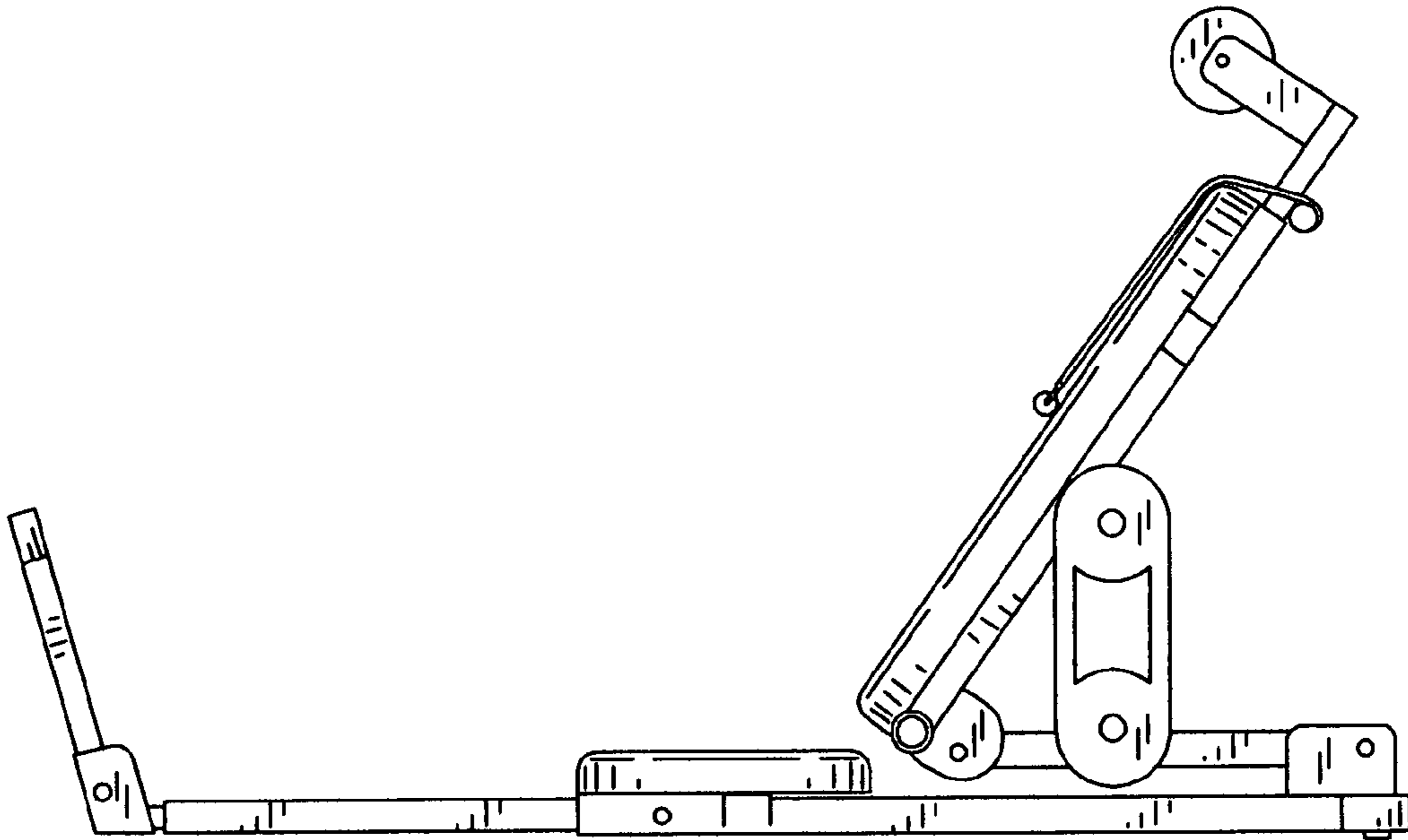
*Fig. 1*



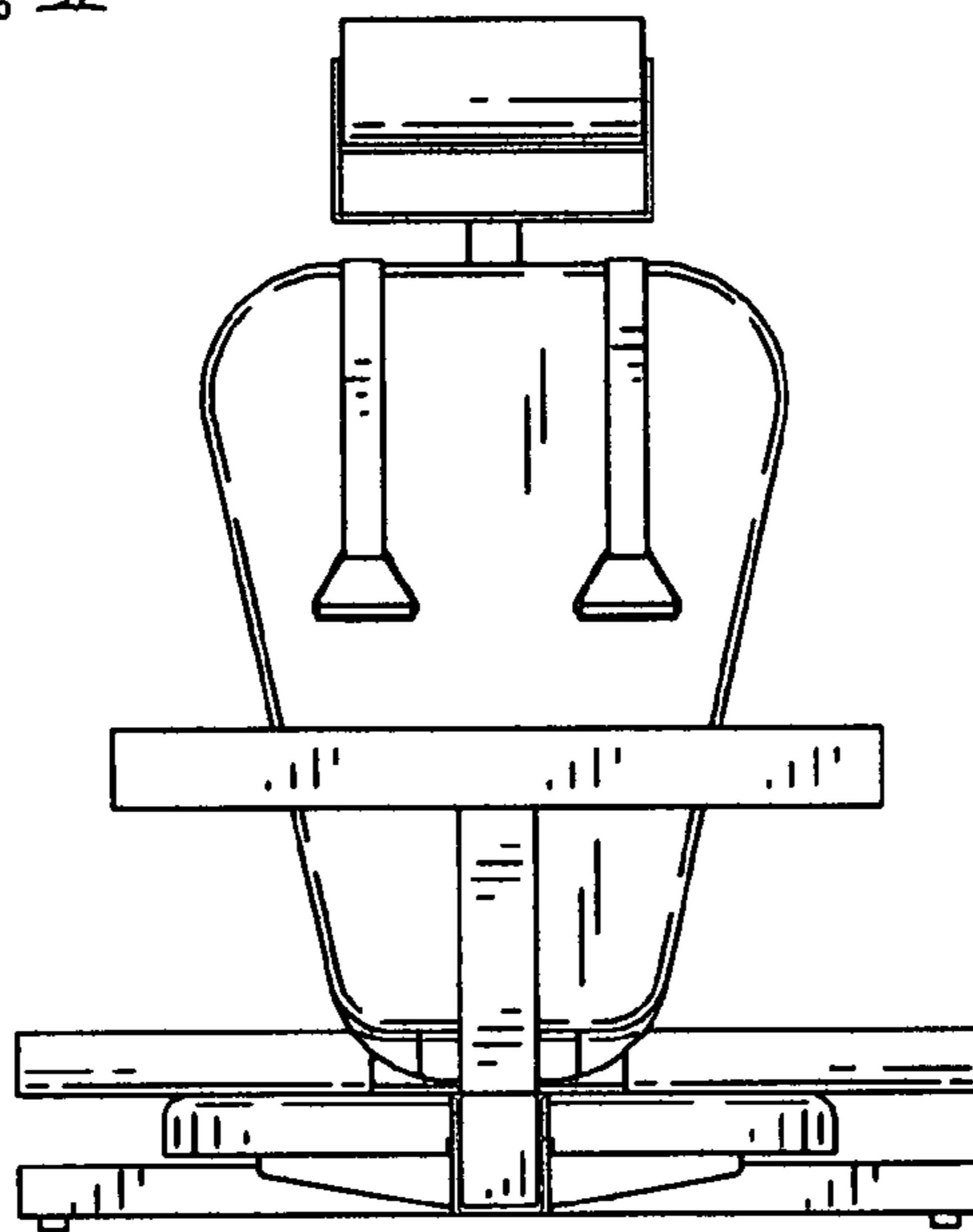
*Fig. 2*



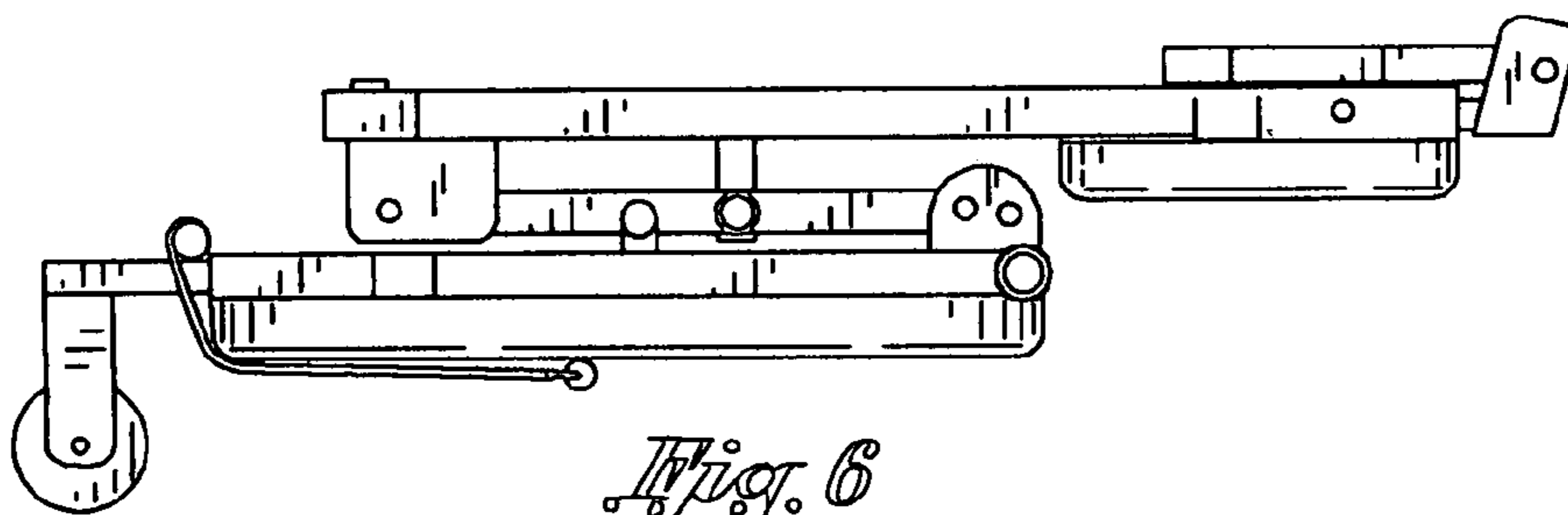
*Fig. 3*



*Fig. 4*



*Fig. 5*



*Fig. 6*