



US00D568949S

(12) **United States Design Patent**
Nelson

(10) **Patent No.:** **US D568,949 S**

(45) **Date of Patent:** **** May 13, 2008**

(54) **SEGMENTED PULL TOY**

(76) Inventor: **Kenneth Jeffrey Nelson**, 1546
Nuthatch La., Sunnyvale, CA (US)
94087

(**) Term: **14 Years**

(21) Appl. No.: **29/271,957**

(22) Filed: **Jan. 30, 2007**

(51) **LOC (8) Cl.** **21-01**

(52) **U.S. Cl.** **D21/592; D21/615; D21/657**

(58) **Field of Classification Search** D21/576-578,
D21/584-592, 595, 597-599, 615, 650, 657;
D11/158; D30/160; 446/72-73, 97-98,
446/268-278, 369

See application file for complete search history.

(56) **References Cited**

U.S. PATENT DOCUMENTS

2,738,617 A * 3/1956 Capehart 446/278
D198,576 S * 7/1964 Trevena D21/650
3,900,990 A 8/1975 Campanell
D244,953 S * 7/1977 McMahon D21/592

D244,955 S * 7/1977 McMahon D21/657
D247,259 S * 2/1978 Yonezawa D21/592
D279,809 S * 7/1985 Edmisson et al. D21/592
D316,575 S * 4/1991 Warren D21/615

* cited by examiner

Primary Examiner—Sandra Morris

(57) **CLAIM**

The ornamental design for a segmented pull toy, as shown and described.

DESCRIPTION

FIG. 1 is a perspective view of a segmented pull toy, showing the 3 segment embodiment;

FIG. 2 is a front view of my 3 segment pull toy

FIG. 3 is a rear view of my 3 segment pull toy

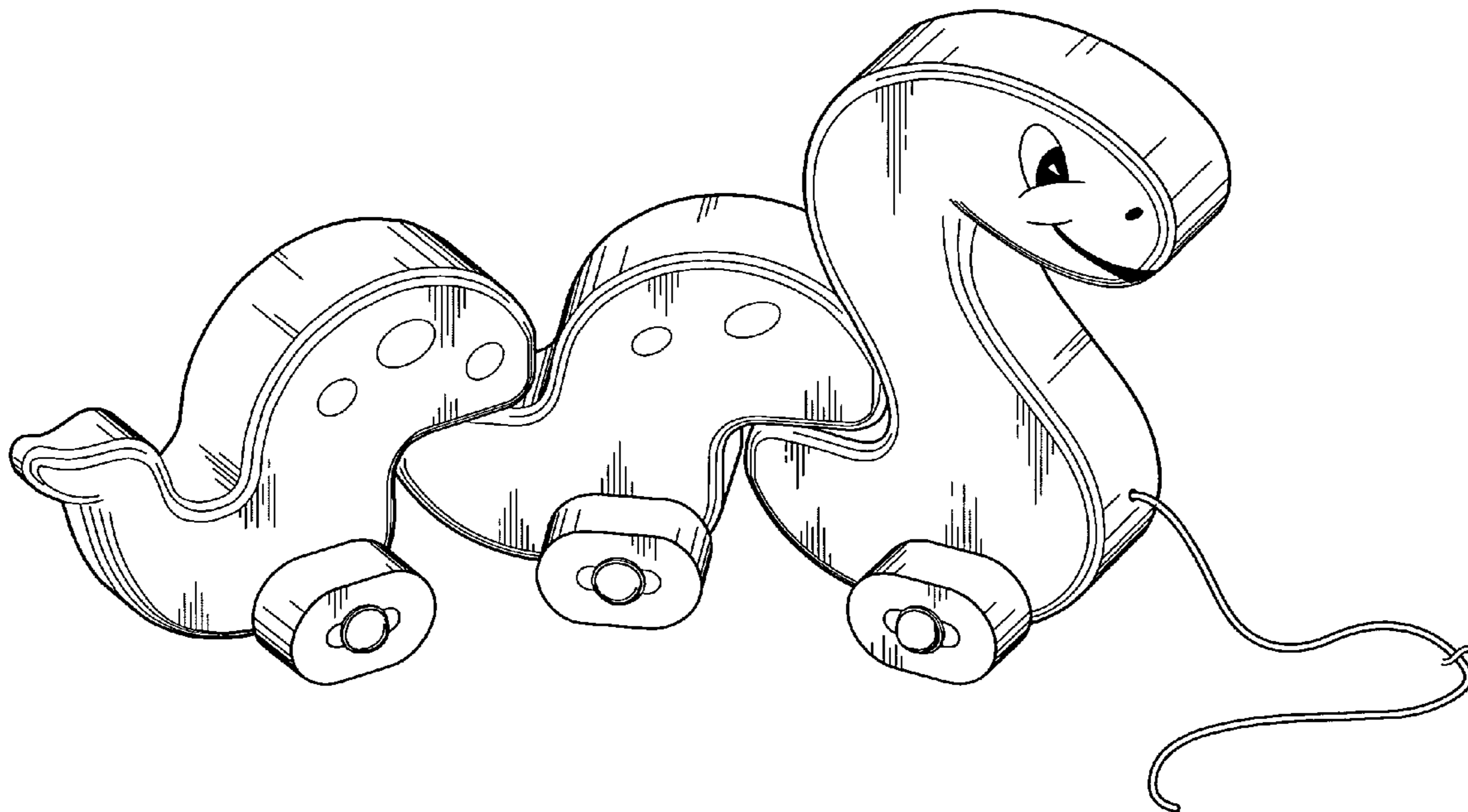
FIG. 4 is a top view of my 3 segment pull toy

FIG. 5 is a bottom view of my 3 segment pull toy

FIG. 6 is a side view of my 3 segment pull toy; and,

FIG. 7 is a perspective view of my 4 segment pull toy.

1 Claim, 7 Drawing Sheets



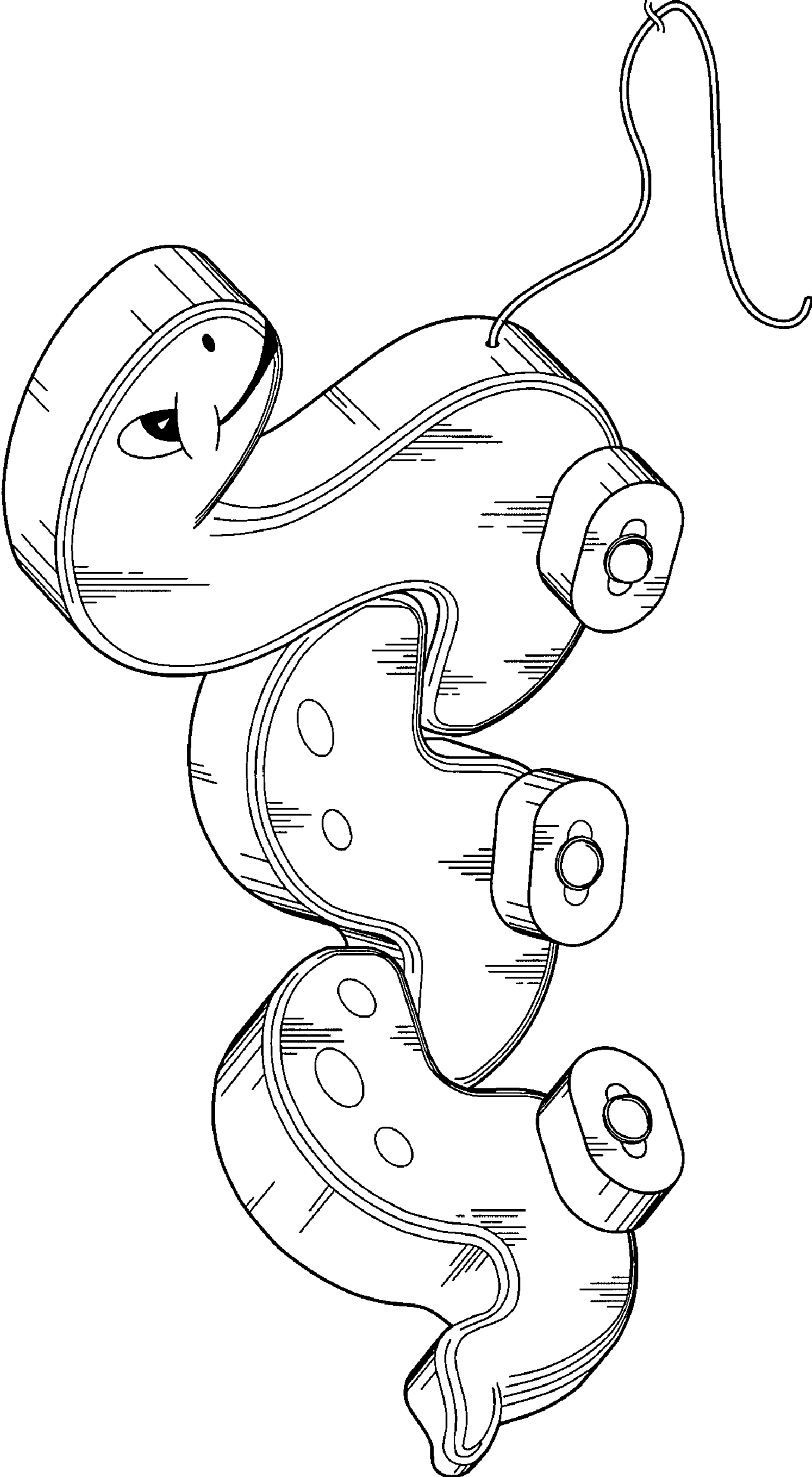


FIG. 1

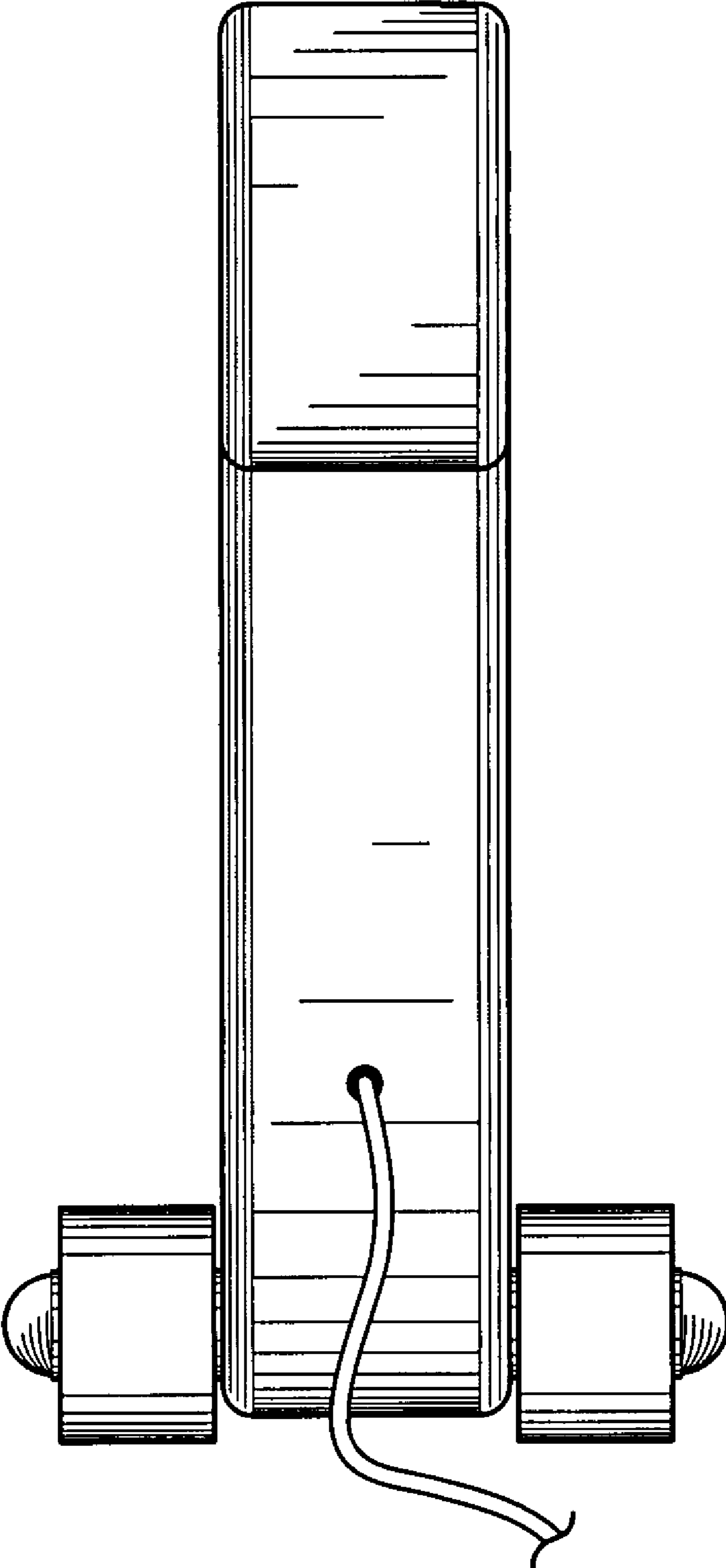


FIG. 2

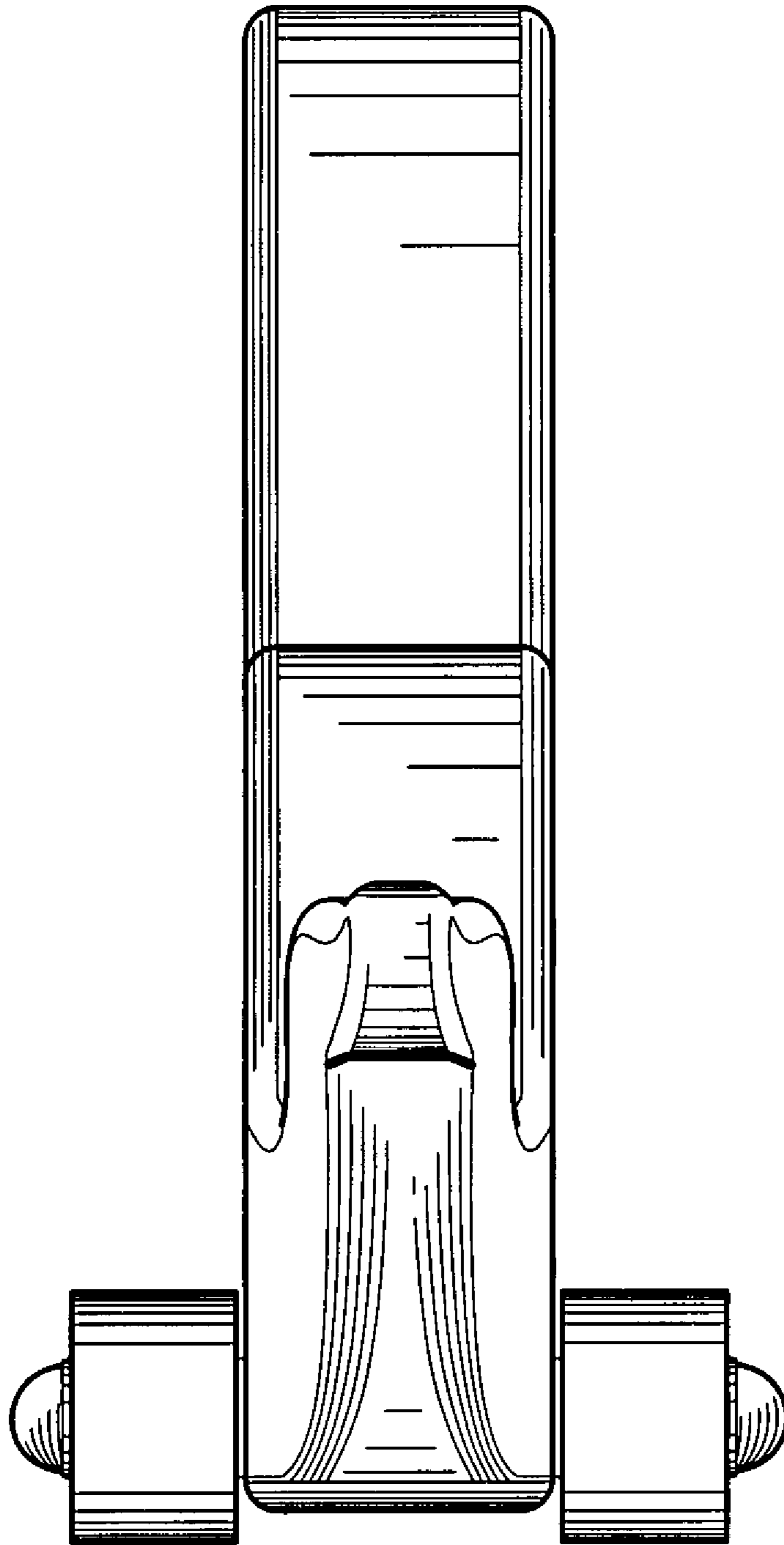


FIG. 3

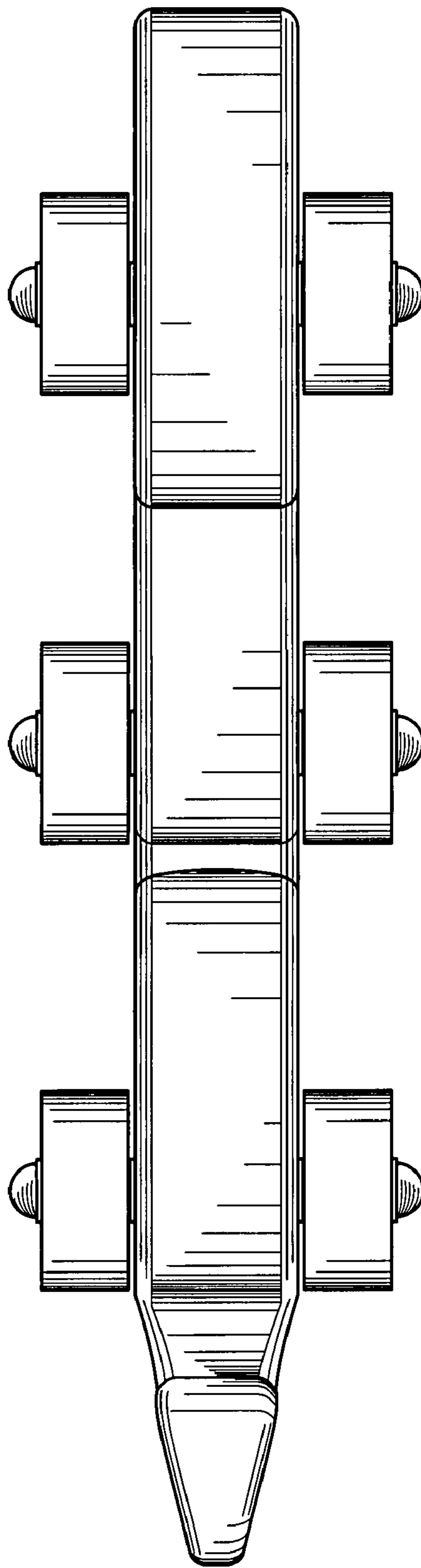


FIG. 4

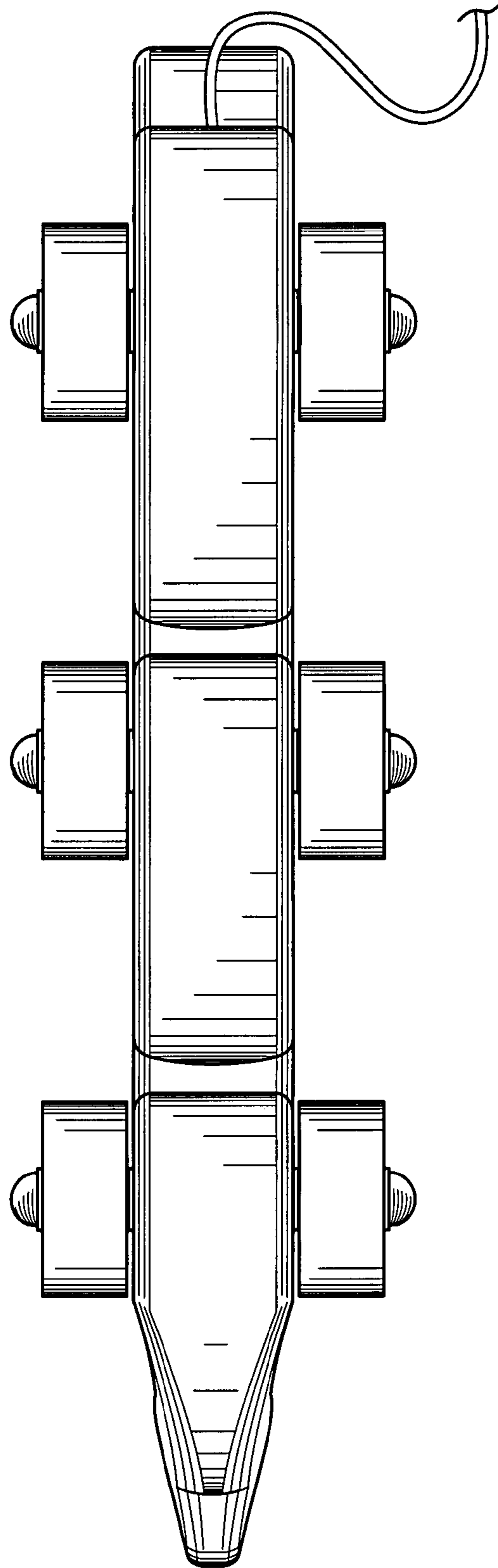


FIG. 5

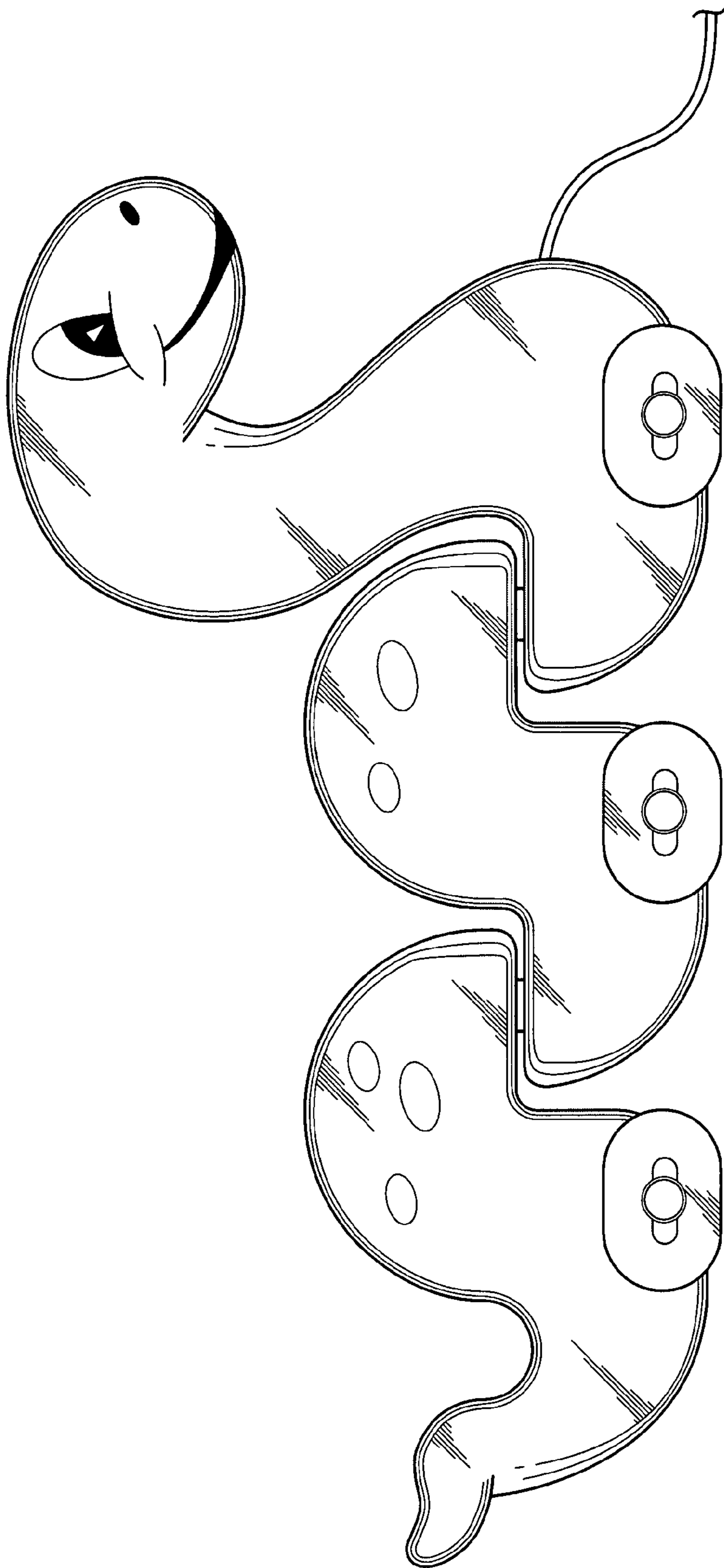


FIG. 6

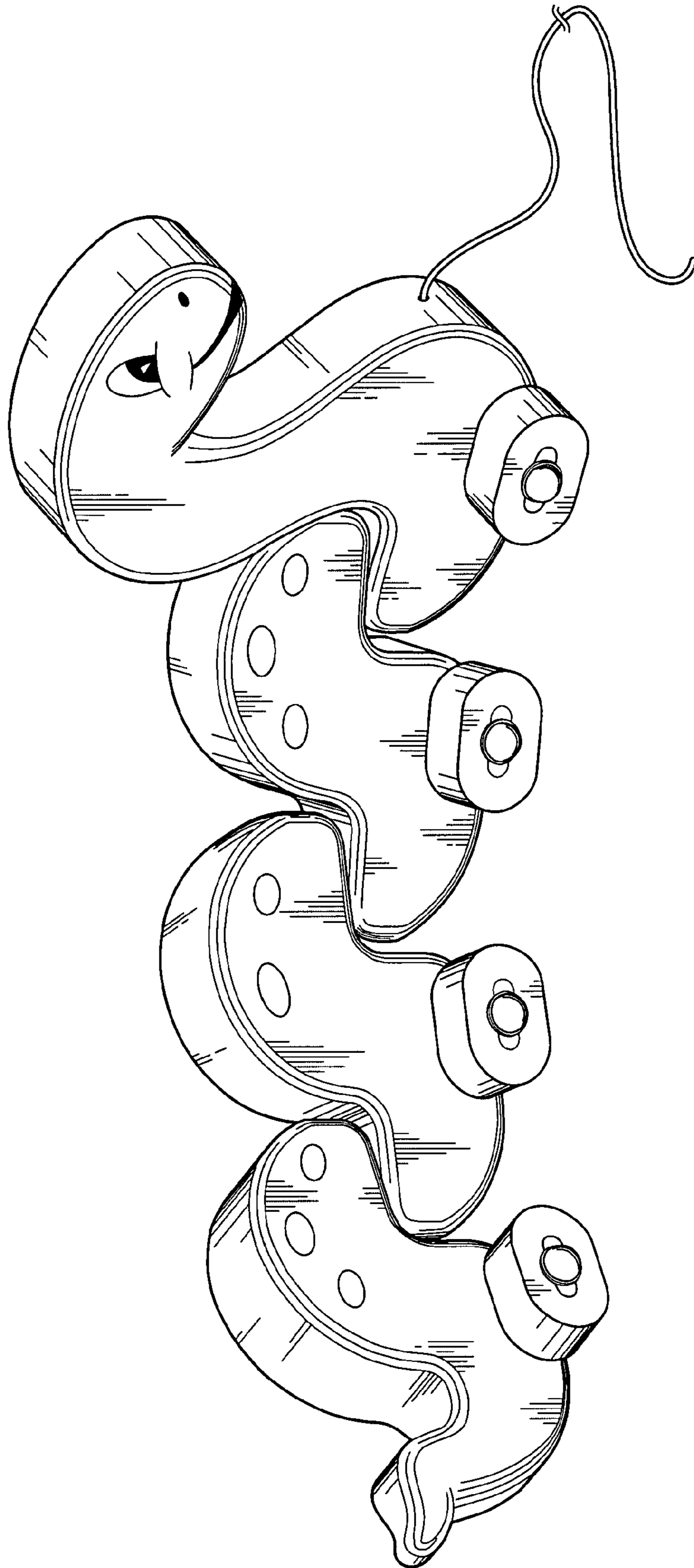


FIG. 7