



US00D568946S

(12) **United States Design Patent** (10) **Patent No.:** **US D568,946 S**
Lau (45) **Date of Patent:** **** May 13, 2008**

(54) **FLYING DEVICE**

(75) Inventor: **Fung Ying Lau**, Kowloon (HK)

(73) Assignee: **Silverlit Toys Manufactory, Ltd.**,
Hong Kong (HK)

(**) Term: **14 Years**

(21) Appl. No.: **29/296,501**

(22) Filed: **Oct. 22, 2007**

5,163,861 A *	11/1992	Van Ruymbeke	446/35
6,478,251 B2 *	11/2002	Wei	244/16
6,632,119 B2	10/2003	Chernek et al.		
6,676,085 B1 *	1/2004	Chang	244/153 R
D492,969 S *	7/2004	Tabor	D21/438
D494,639 S *	8/2004	Tabor	D21/438
6,769,949 B2	8/2004	Kim et al.		
7,128,296 B2 *	10/2006	Guadagna	244/155 A
2002/0173217 A1	11/2002	Kinkade		
2005/0269447 A1 *	12/2005	Chronister	244/72
2006/0049306 A1 *	3/2006	Kim et al.	244/72
2006/0292957 A1 *	12/2006	Howard	446/61

* cited by examiner

Related U.S. Application Data

(62) Division of application No. 29/283,036, filed on Aug. 3, 2007.

(51) **LOC (8) Cl.** **21-01**

(52) **U.S. Cl.** **D21/438; D21/449; D12/321**

(58) **Field of Classification Search** D21/436-454,
D21/606-609; D12/319-345; 446/30-68,
446/88; 244/11, 16, 22, 35 R, 49, 87, 123.11,
244/153 R, 154, 155 R, 155 A, 153 A, 900-903,
244/99.11

See application file for complete search history.

(56) **References Cited**

U.S. PATENT DOCUMENTS

781,104 A *	1/1905	Slinn	446/35
2,060,213 A *	11/1936	Hippen et al.	446/50
D193,484 S	8/1962	Spencer		
3,626,555 A *	12/1971	Albertini et al.	446/35
3,787,998 A *	1/1974	Kilroy et al.	446/61
3,858,350 A *	1/1975	Lux	446/35
4,195,438 A *	4/1980	Dale et al.	446/35
D290,978 S	7/1987	Capo et al.		

Primary Examiner—Catherine Tuttle

(74) *Attorney, Agent, or Firm*—Greenberg Traurig, LLP

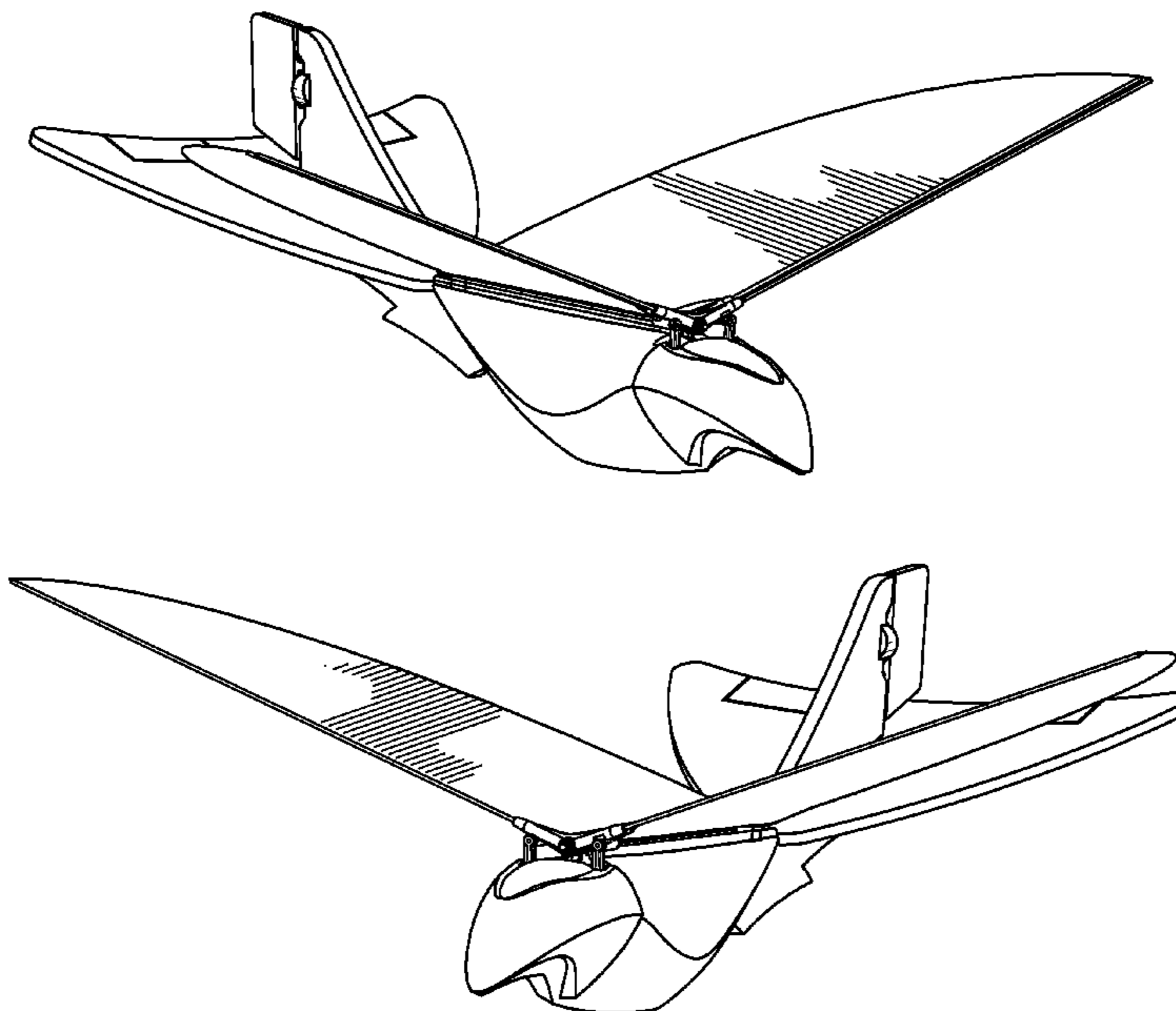
(57) **CLAIM**

The ornamental design for a flying device, as shown and described.

DESCRIPTION

FIG. 1 is a right side view of the flying device;
 FIG. 2 is a perspective front right side view of the flying device;
 FIG. 3 is a left side view of the flying device;
 FIG. 4 is a perspective front left side view of the flying device;
 FIG. 5 is a front view of the flying device;
 FIG. 6 is a rear view of the flying device;
 FIG. 7 is a top view of the flying device; and,
 FIG. 8 is a bottom view of the flying device.

1 Claim, 8 Drawing Sheets



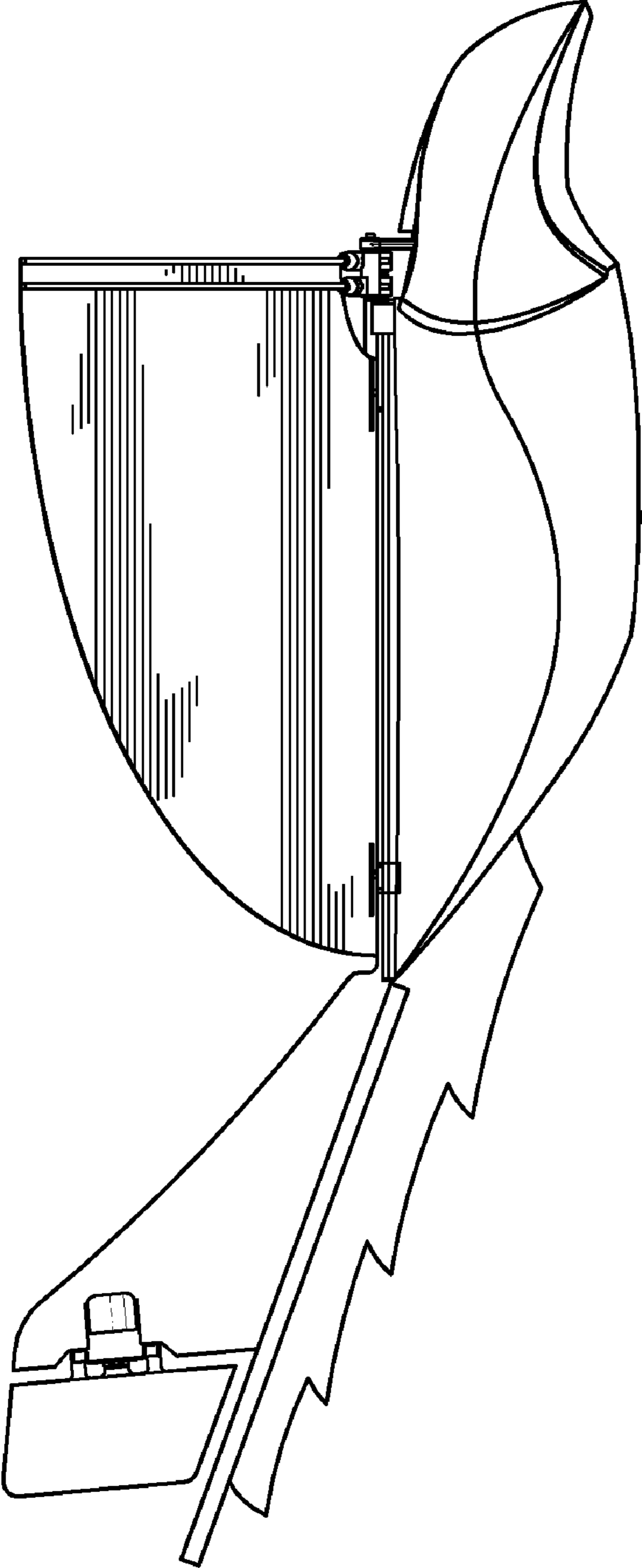


FIG. 1

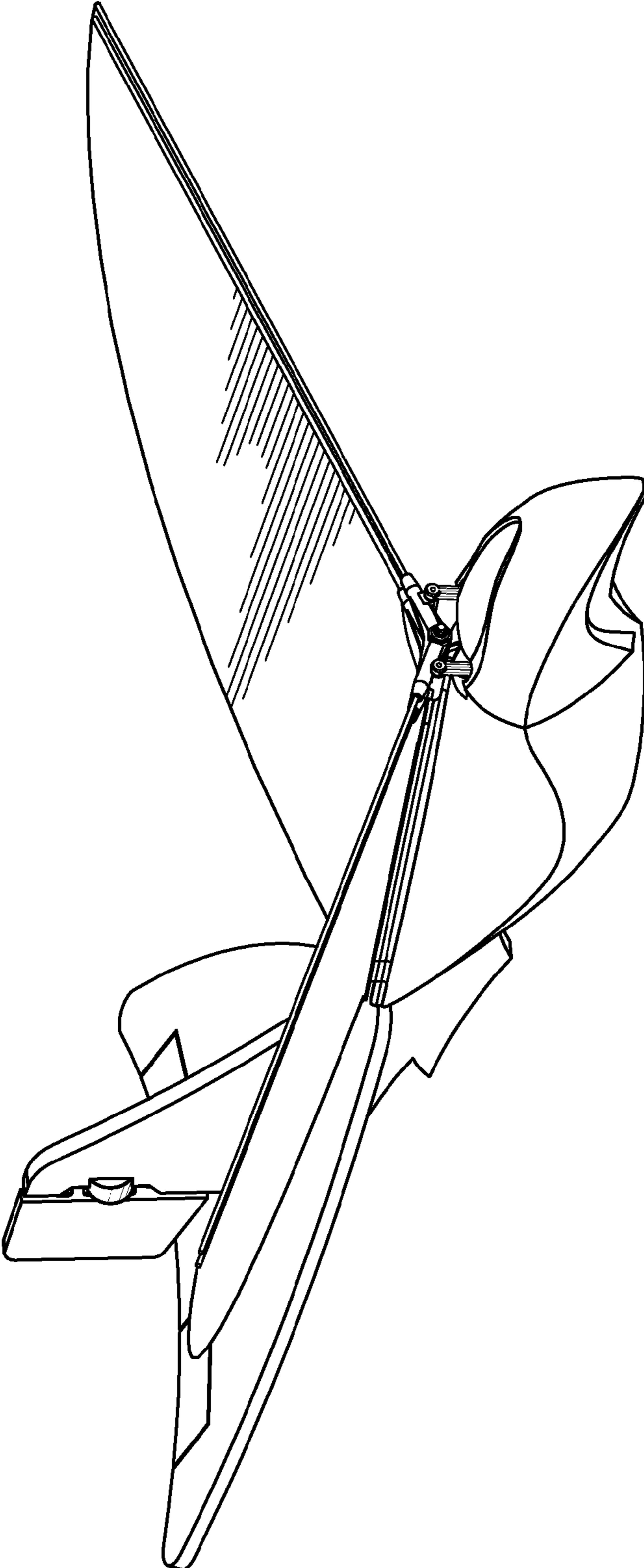


FIG. 2

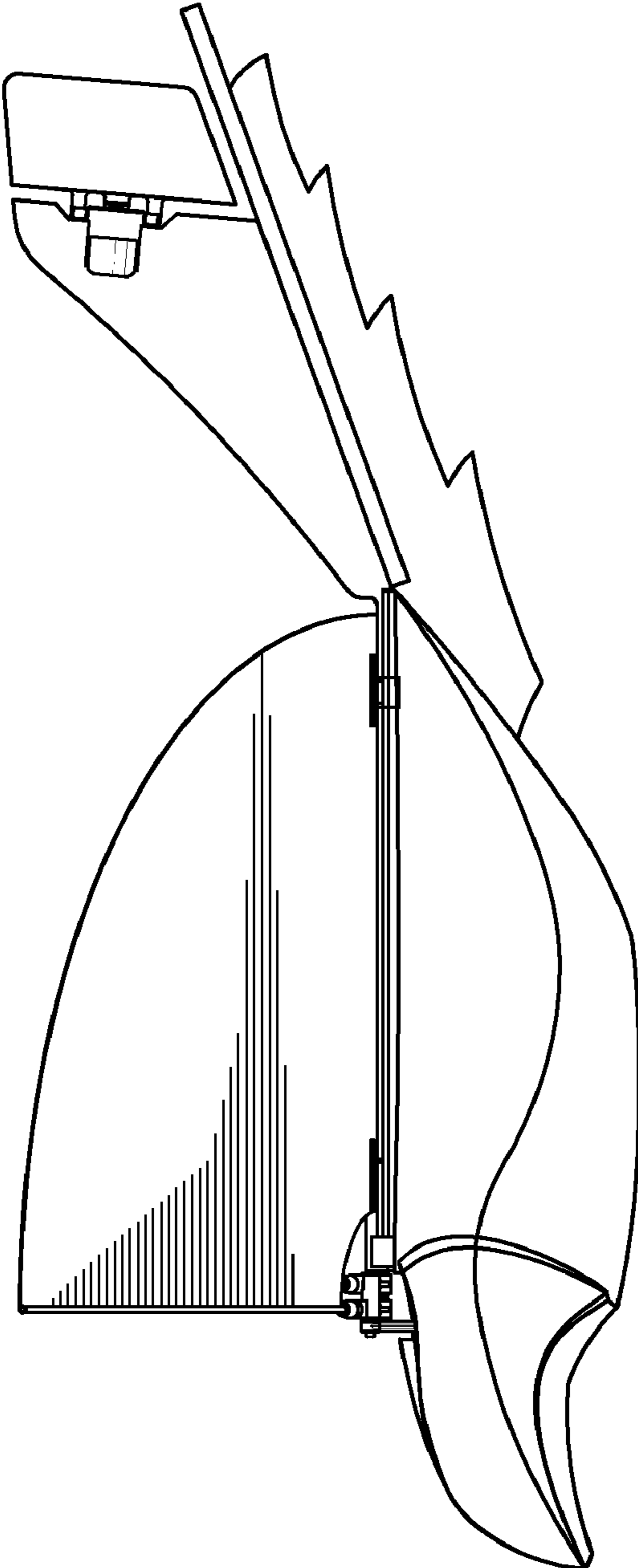


FIG. 3

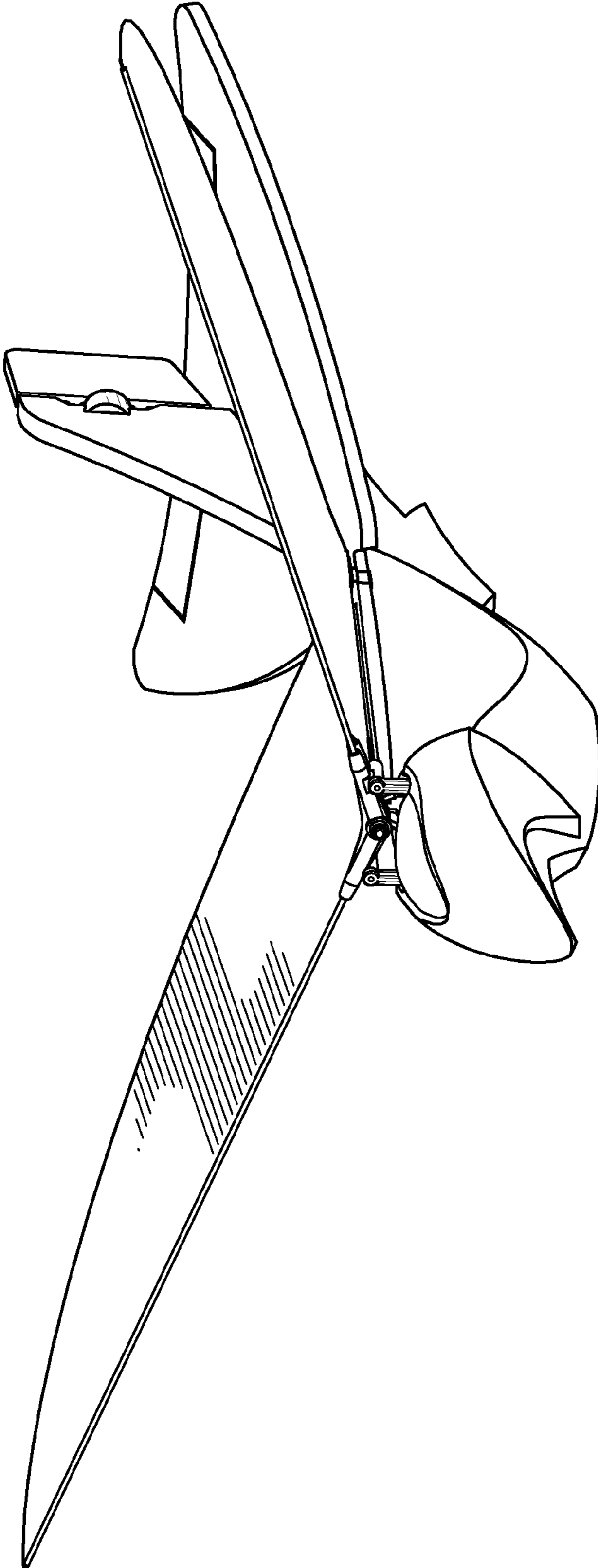


FIG. 4

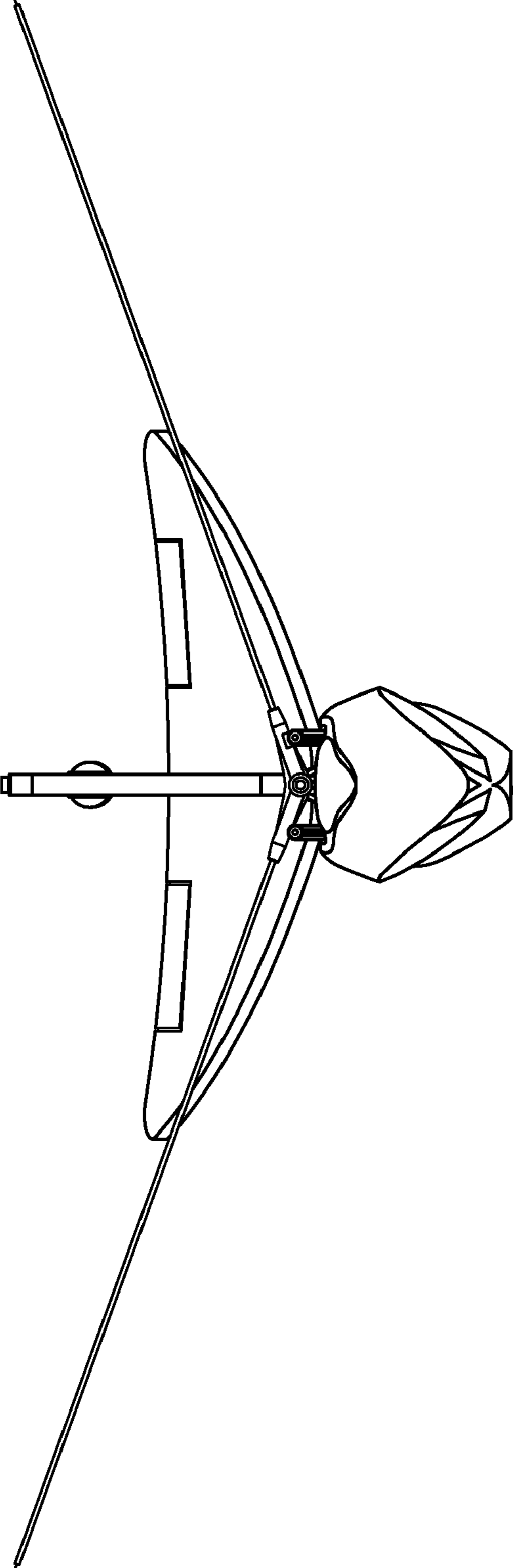


FIG. 5

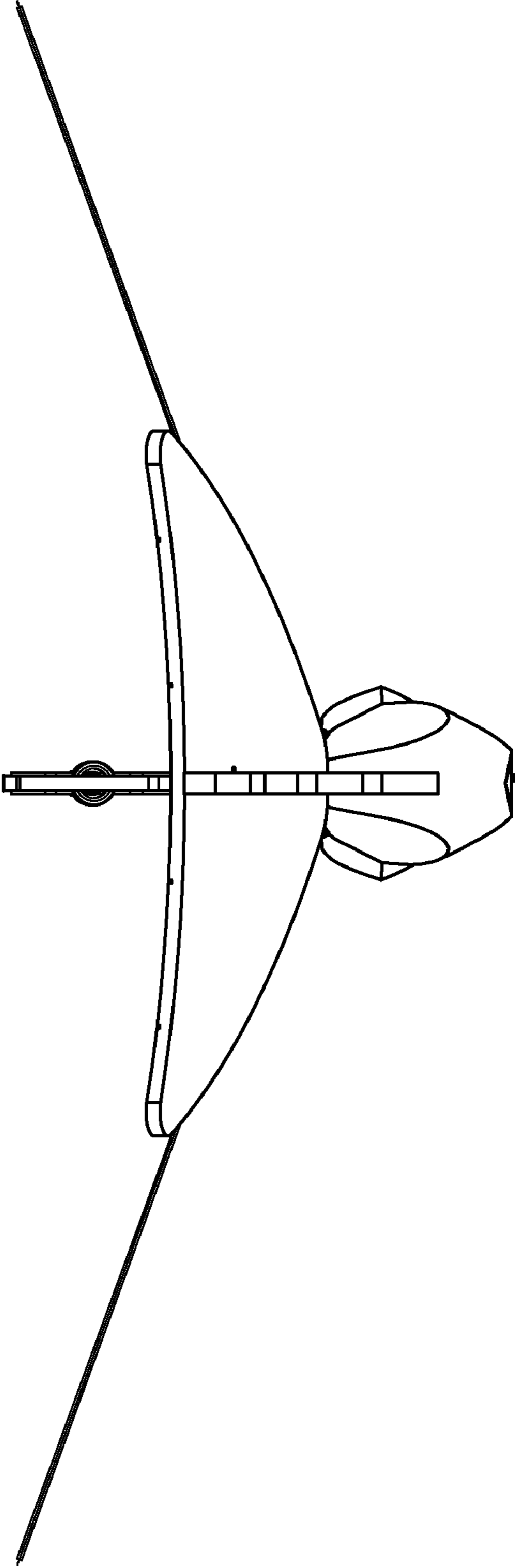


FIG. 6

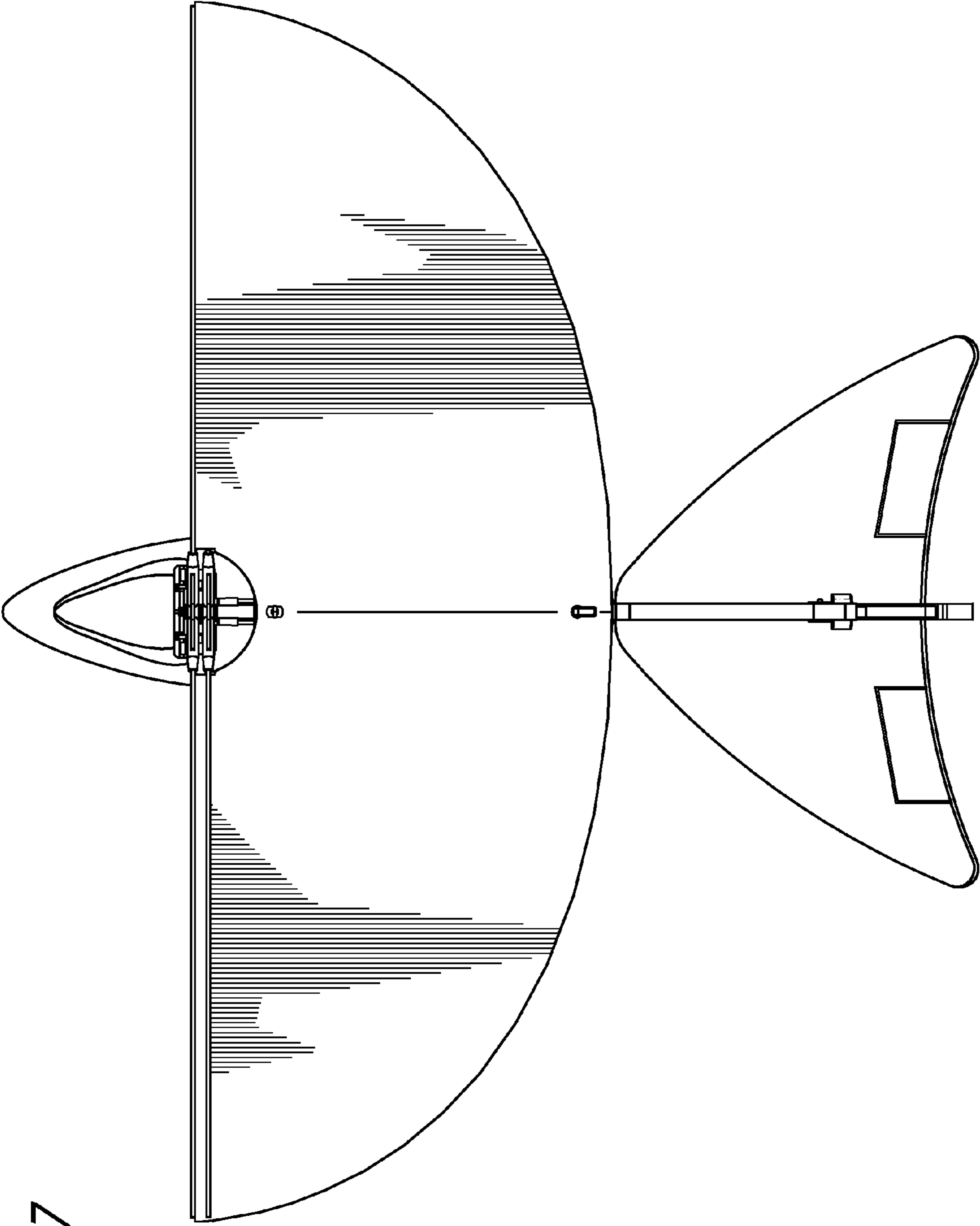


FIG. 7

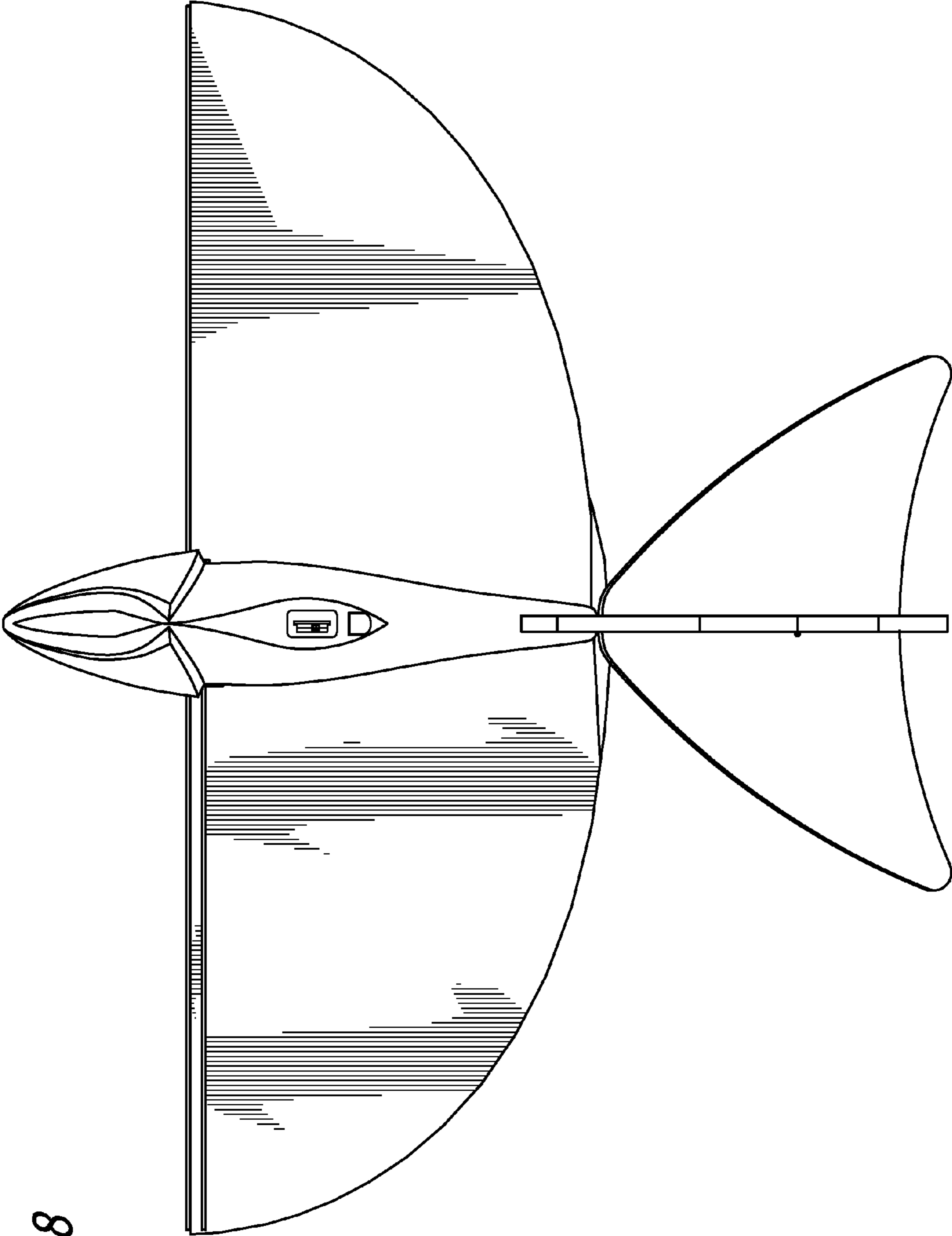


FIG. 8