



US00D568941S

(12) **United States Design Patent**  
**Elmer et al.**

(10) **Patent No.:** **US D568,941 S**

(45) **Date of Patent:** **\*\* May 13, 2008**

(54) **VEHICLE ROOF TOP ADVERTISING SIGN**

(76) Inventors: **Steven W. Elmer**, 1351 Oneco Ave.,  
Winter Park, FL (US) 32789; **William  
A. Elmer**, 1010 Temple Grove Ct.,  
Winter Park, FL (US) 32789; **Scott M.  
Martin**, 4751 Bretton La., Highland,  
MI (US) 48356

(\*\*) Term: **14 Years**

(21) Appl. No.: **29/295,282**

(22) Filed: **Sep. 25, 2007**

(51) **LOC (8) Cl.** ..... **20-03**

(52) **U.S. Cl.** ..... **D20/10**

(58) **Field of Classification Search** ..... D20/10,  
D20/13, 19, 35, 39, 41, 99; 40/556, 564,  
40/566, 572, 584, 588-592, 642.02, 643,  
40/644; D10/109, 114; D26/28, 31; 362/234,  
362/235, 812; 340/434

See application file for complete search history.

(56) **References Cited**

**U.S. PATENT DOCUMENTS**

D207,240 S \* 3/1967 Stevens ..... D26/28  
D327,333 S \* 6/1992 Elmer ..... D26/31  
D328,143 S \* 7/1992 Elmer ..... D26/31

D418,930 S \* 1/2000 De Leon ..... D26/31  
D433,067 S \* 10/2000 Manley ..... D20/10  
D476,690 S \* 7/2003 Elmer ..... D20/10  
D480,432 S \* 10/2003 Newman ..... D20/10

\* cited by examiner

*Primary Examiner*—Caron D. Veynar

*Assistant Examiner*—Mary Ann Calabrese

(74) *Attorney, Agent, or Firm*—Allen, Dyer, Dopplet,  
Milbrath & Gilchrist, P.A.

(57) **CLAIM**

The ornamental design for a vehicle roof top advertising sign, as shown and described.

**DESCRIPTION**

FIG. 1 is a side elevation view of a vehicle roof top advertising sign showing our new design, of which the opposing side is a mirror image thereof.

FIG. 2 is a front elevation view thereof.

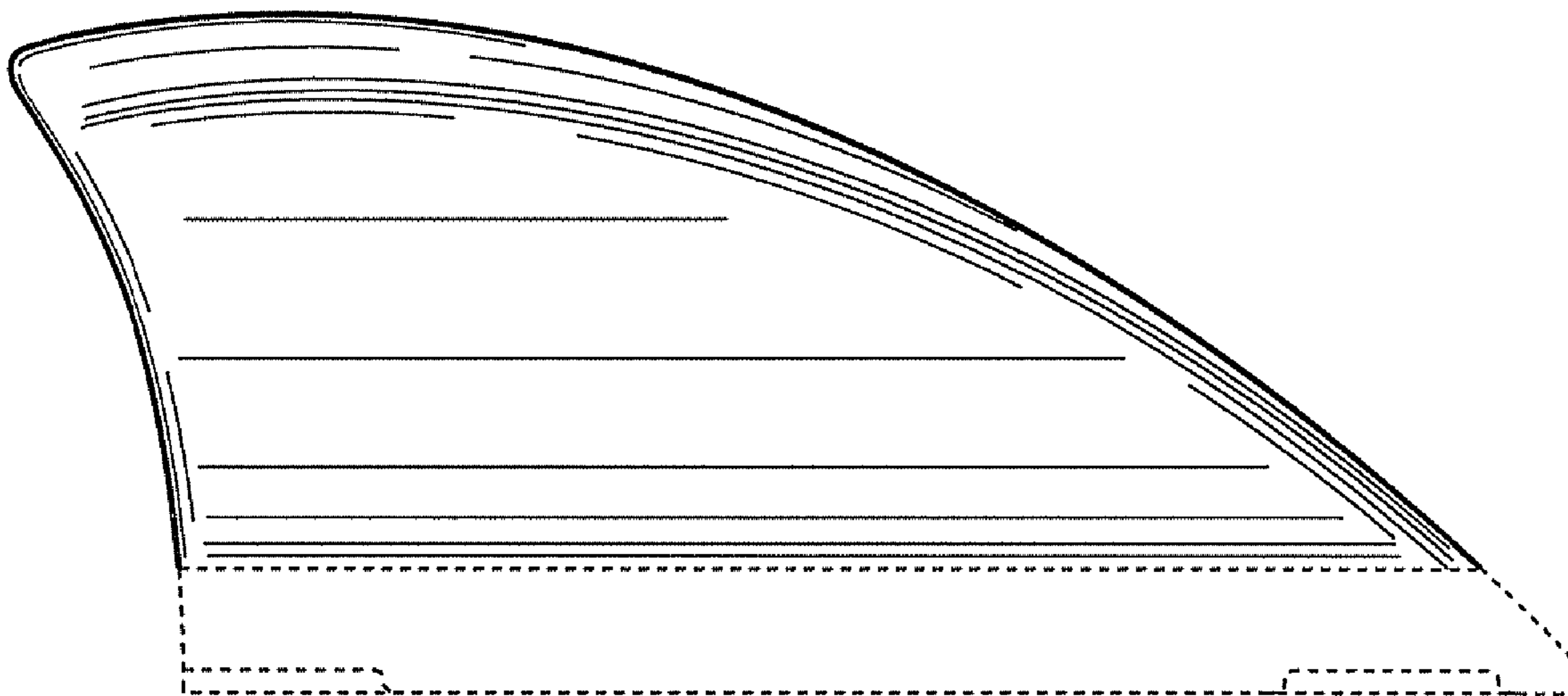
FIG. 3 is a rear elevation view thereof.

FIG. 4 is a top view thereof; and,

FIG. 5 is a bottom view thereof.

In the drawings, the broken lines represent environmental structure forming no part of the claim.

**1 Claim, 2 Drawing Sheets**



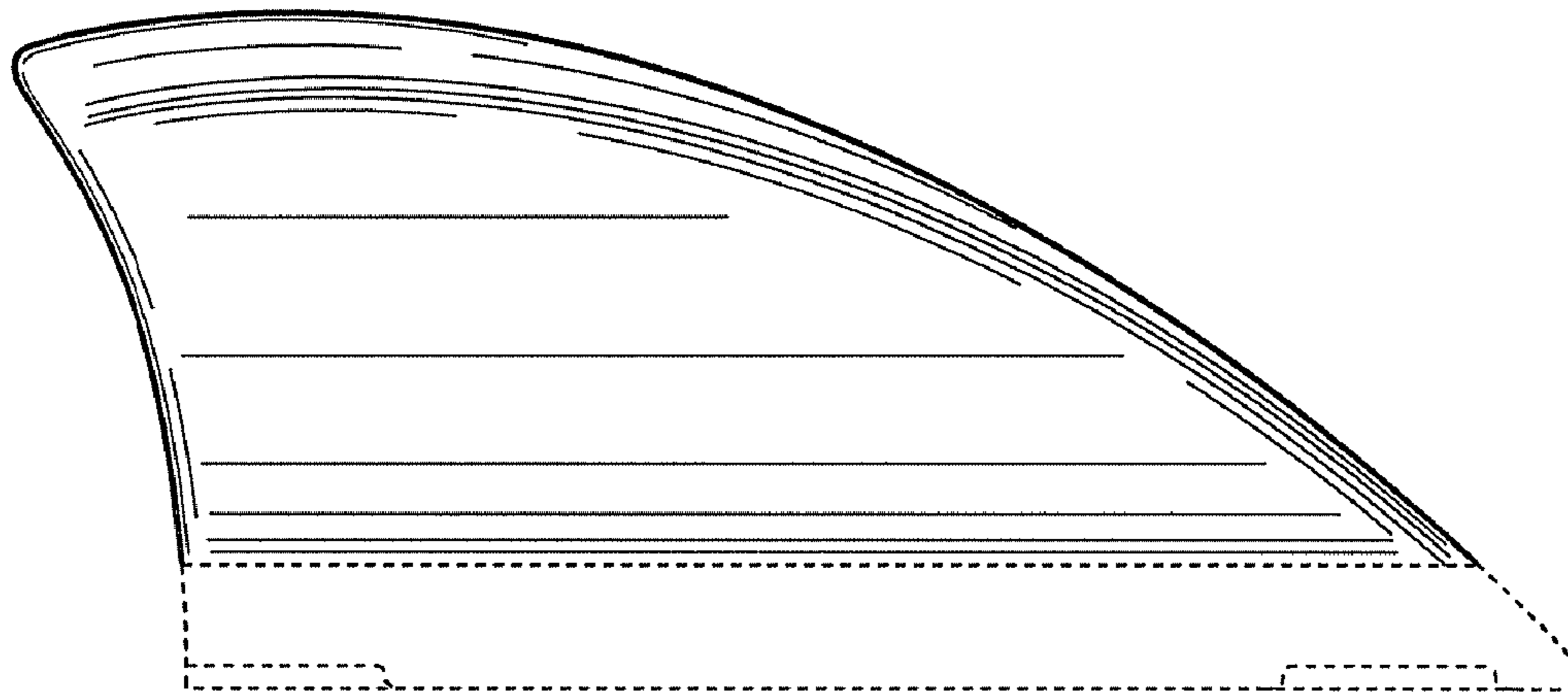


FIGURE 1

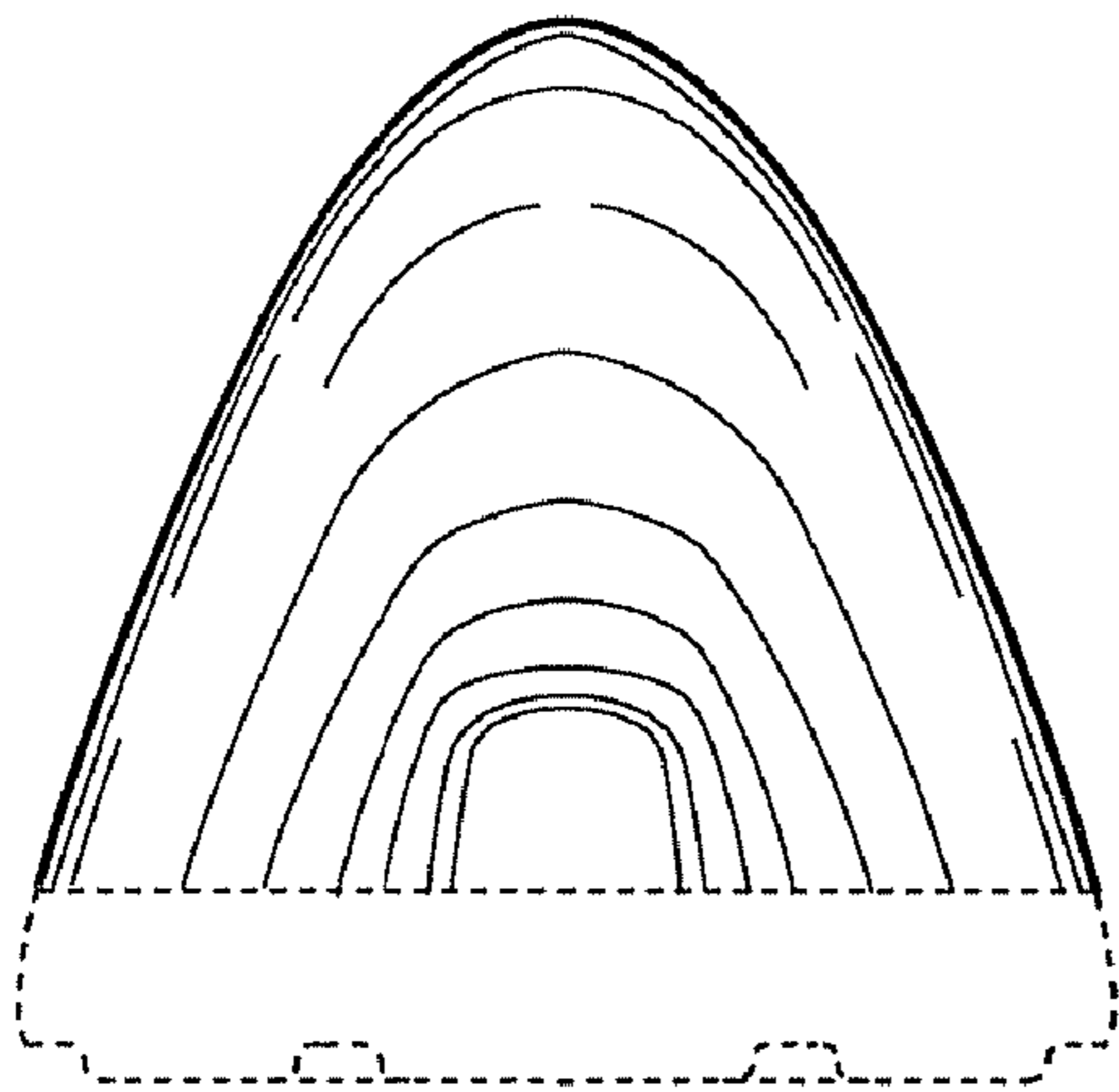


FIGURE 2

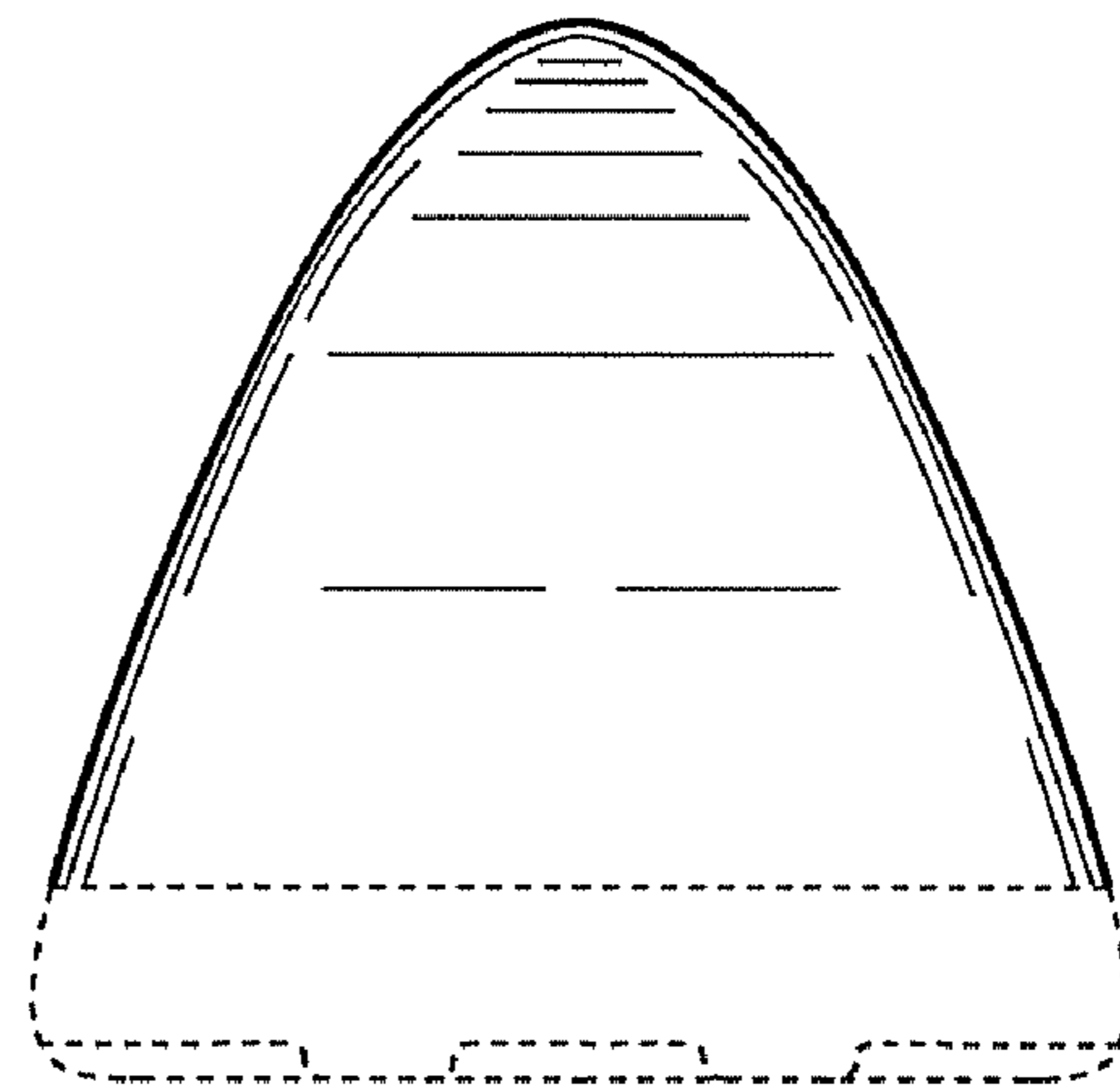


FIGURE 3

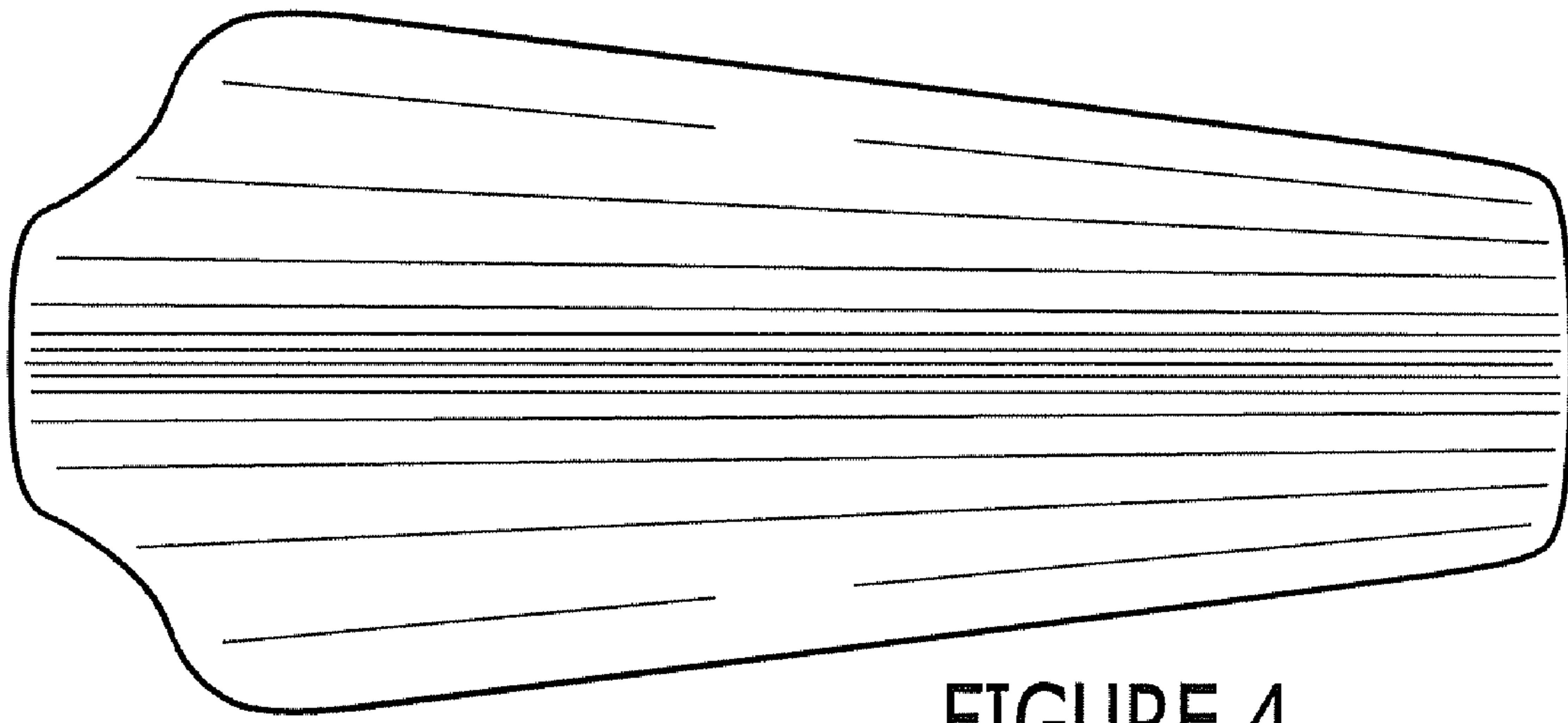


FIGURE 4

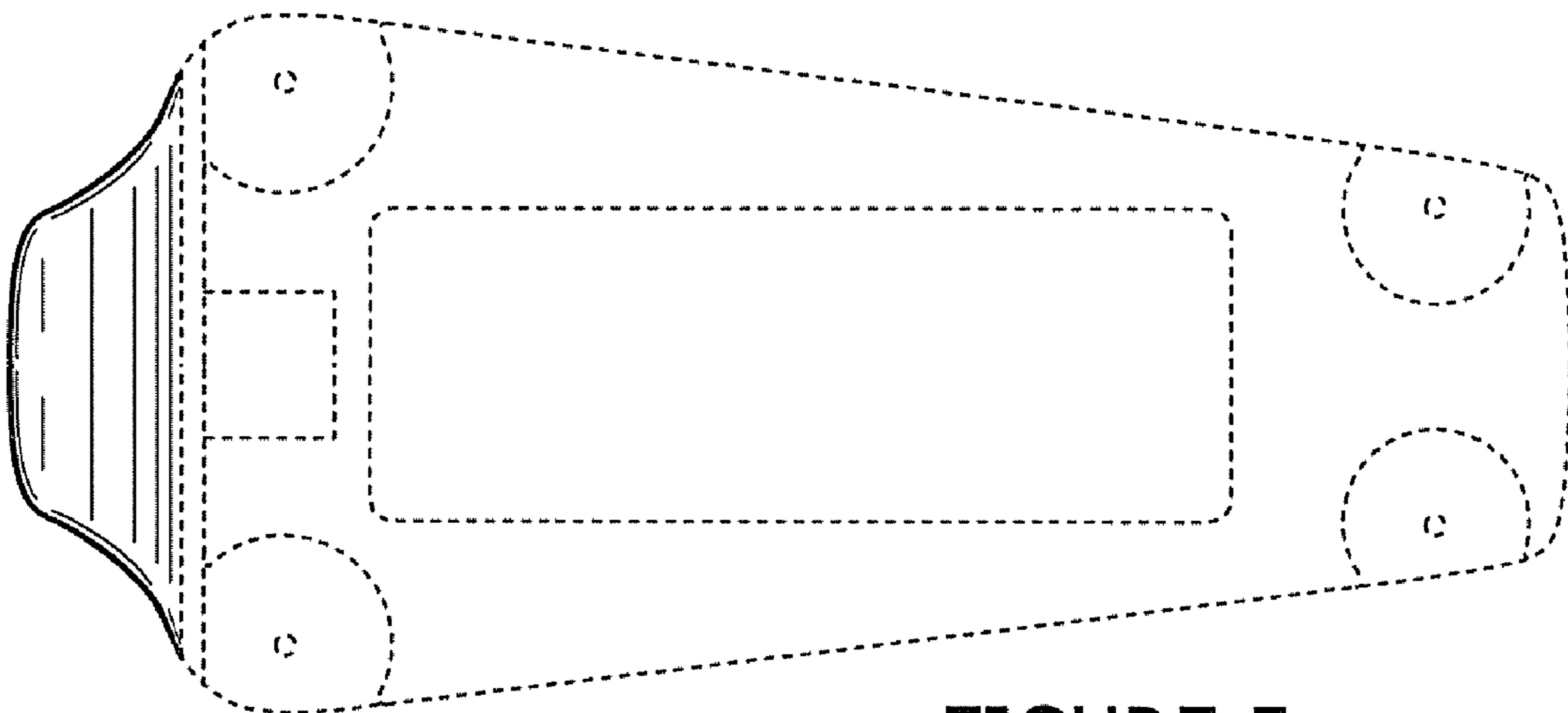


FIGURE 5