

US00D568940S

(12) **United States Design Patent**
Chue

(10) **Patent No.:** **US D568,940 S**

(45) **Date of Patent:** **** May 13, 2008**

(54) **CLIP WITH SYRINGE-SHAPED TAPE FLAG DISPENSER**

(75) Inventor: **Lap Fu Chue, Tai Po (HK)**

(73) Assignee: **Kenki (H.K.) Ltd., Kowloon (HK)**

(**) Term: **14 Years**

(21) Appl. No.: **29/271,191**

(22) Filed: **Jan. 12, 2007**

(51) **LOC (8) Cl.** **19-02**

(52) **U.S. Cl.** **D19/65**

(58) **Field of Classification Search** D8/395;
D19/65, 75, 80, 82, 86, 91; 24/67 R, 67.1,
24/67.3, 67.5, 67.7, 67.9, 67.11, 500, 501,
24/530, DIG. 8

See application file for complete search history.

(56) **References Cited**

U.S. PATENT DOCUMENTS

10,635	A *	3/1854	Haskins	24/501
57,977	A *	9/1866	Sanborn	24/501
175,478	A *	3/1876	Marshall	24/501
D50,060	S *	12/1916	Fuller	D19/65
1,357,233	A *	11/1920	Hagelstein	24/501
1,607,477	A *	11/1926	Potter	24/346
1,810,304	A *	6/1931	Tangen	24/544
1,874,871	A *	8/1932	Bower	24/334
1,892,018	A *	12/1932	Stanton	24/338
D120,743	S *	5/1940	Petzold	D19/89
2,321,563	A *	6/1943	Penley	24/334
2,466,284	A *	4/1949	Stinne	24/501
2,492,069	A *	12/1949	Stinne	24/501
2,514,698	A *	7/1950	Herrero	24/567
2,526,810	A *	10/1950	Curtis	24/343

2,554,199	A *	5/1951	Lewis	150/154
2,590,881	A *	4/1952	Morgan	24/565
2,782,480	A *	2/1957	Tweedle	24/567
2,922,209	A *	1/1960	Longi	24/501
3,380,489	A *	4/1968	Harautuneian	141/27
D251,345	S *	3/1979	Bigelow et al.	D6/328
D277,534	S *	2/1985	Warmath	D6/328
4,614,008	A *	9/1986	Brill et al.	24/501
D323,391	S *	1/1992	Payne et al.	D24/130
D395,920	S *	7/1998	Kleinpell, II	D19/65
D547,906	S *	7/2007	Chue et al.	D28/60

* cited by examiner

Primary Examiner—Elizabeth A Albert

(74) *Attorney, Agent, or Firm*—Rabin & Berdo, P.C.

(57) **CLAIM**

The ornamental design for a clip with syringe-shaped tape flag dispenser, as shown and described.

DESCRIPTION

FIG. 1 is a front view of a clip with syringe-shaped tape flag dispenser showing my new design;

FIG. 2 is a rear view thereof;

FIG. 3 is a left side view thereof;

FIG. 4 is a right side view thereof;

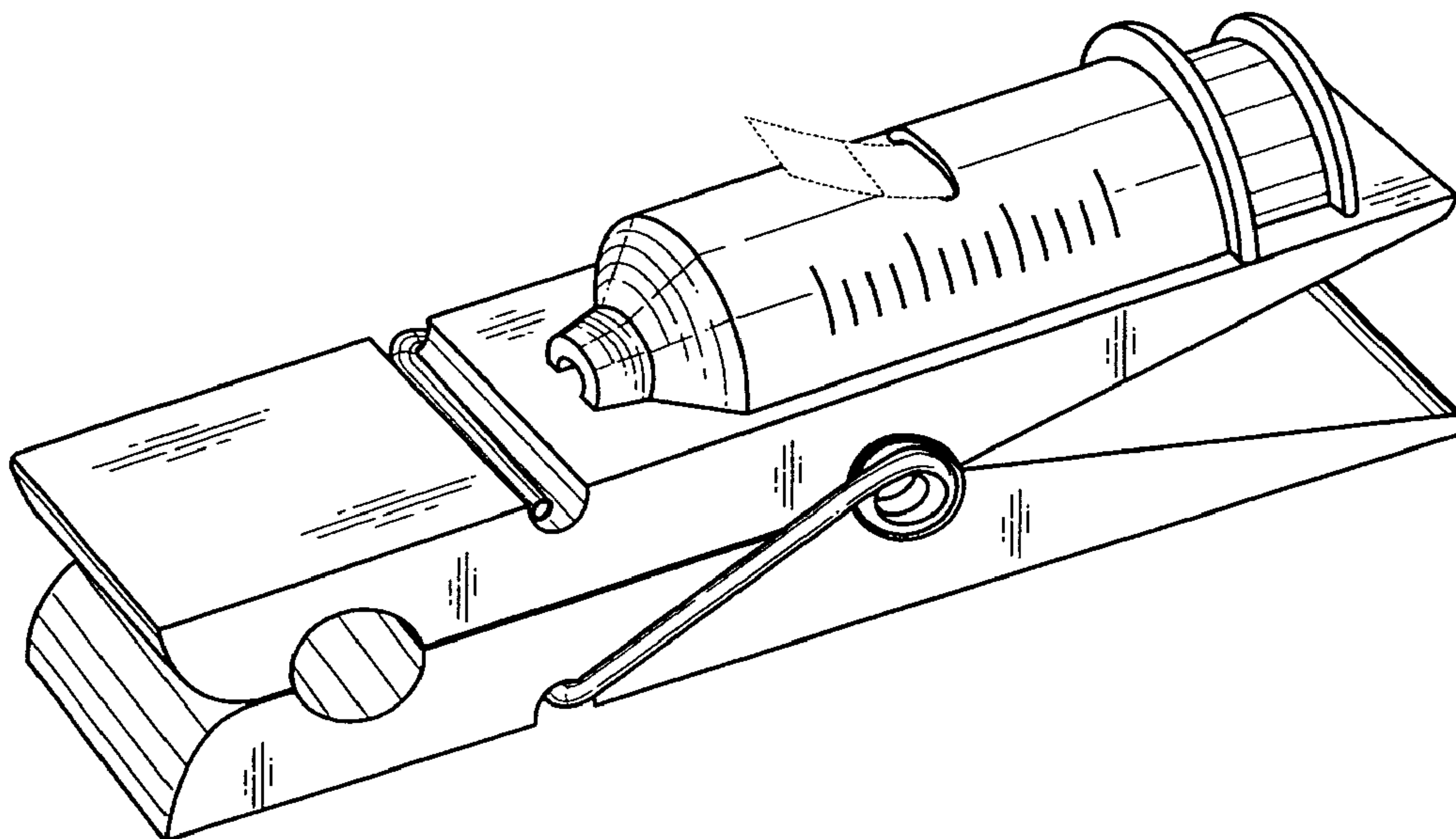
FIG. 5 is a top view thereof;

FIG. 6 is a bottom view thereof;

FIG. 7 is a perspective view thereof; and,

FIG. 8 is a perspective view thereof shown with the dispenser portion in condition of use. The broken line showing of the tape flag in FIG. 8 is for the purpose of illustrating environment and forms no part of the claimed design.

1 Claim, 4 Drawing Sheets



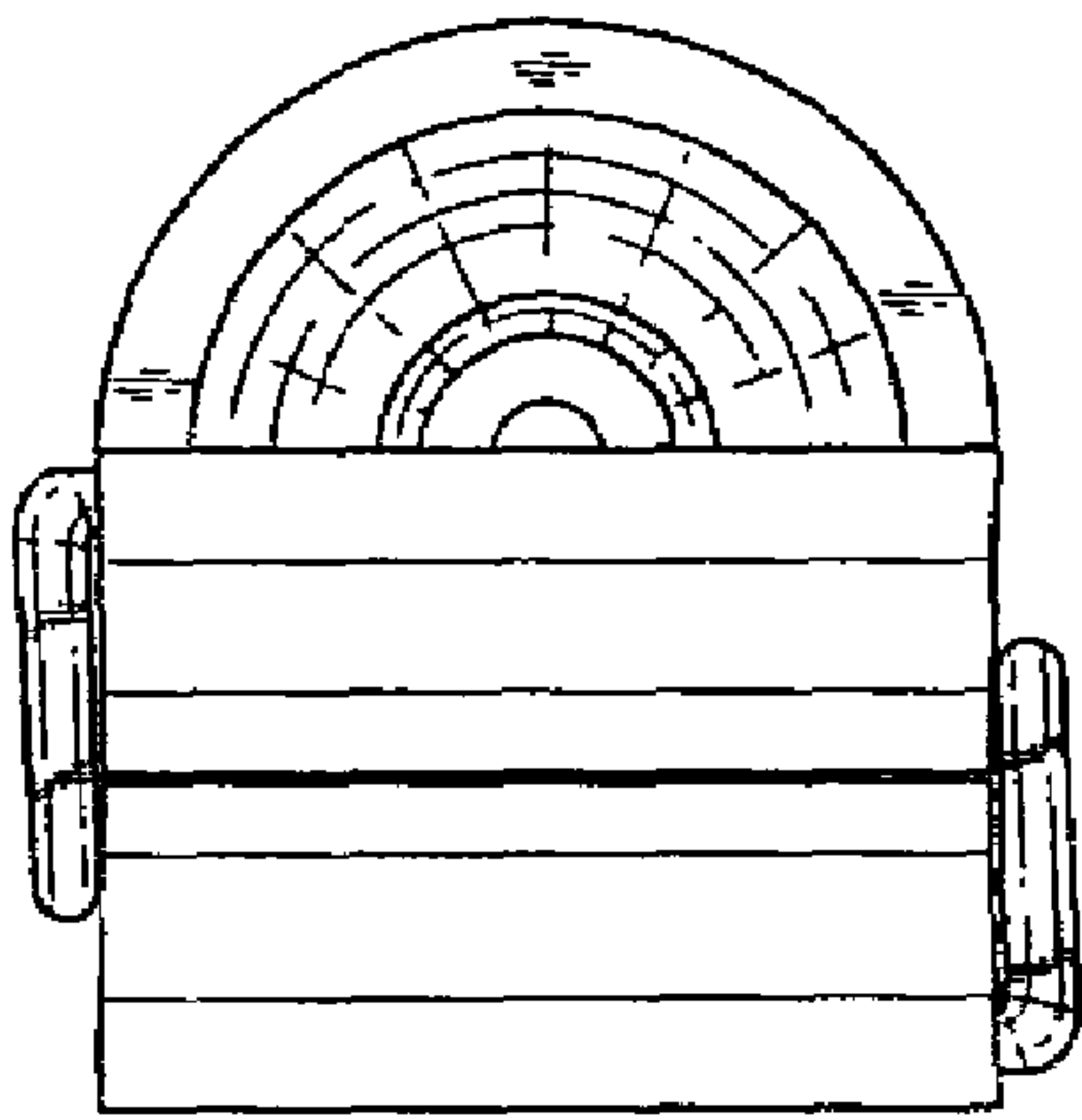


Fig. 1

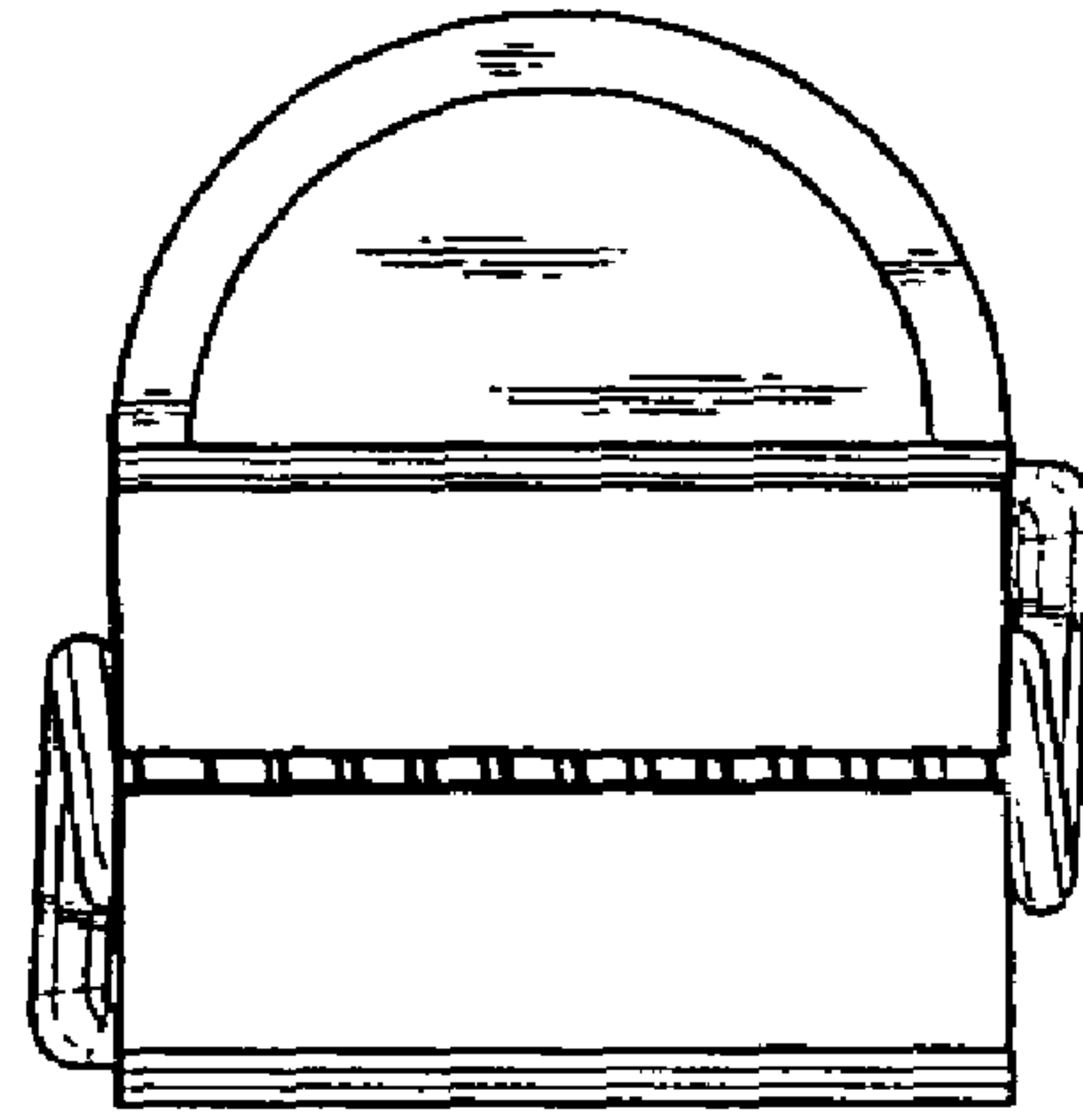


Fig. 2

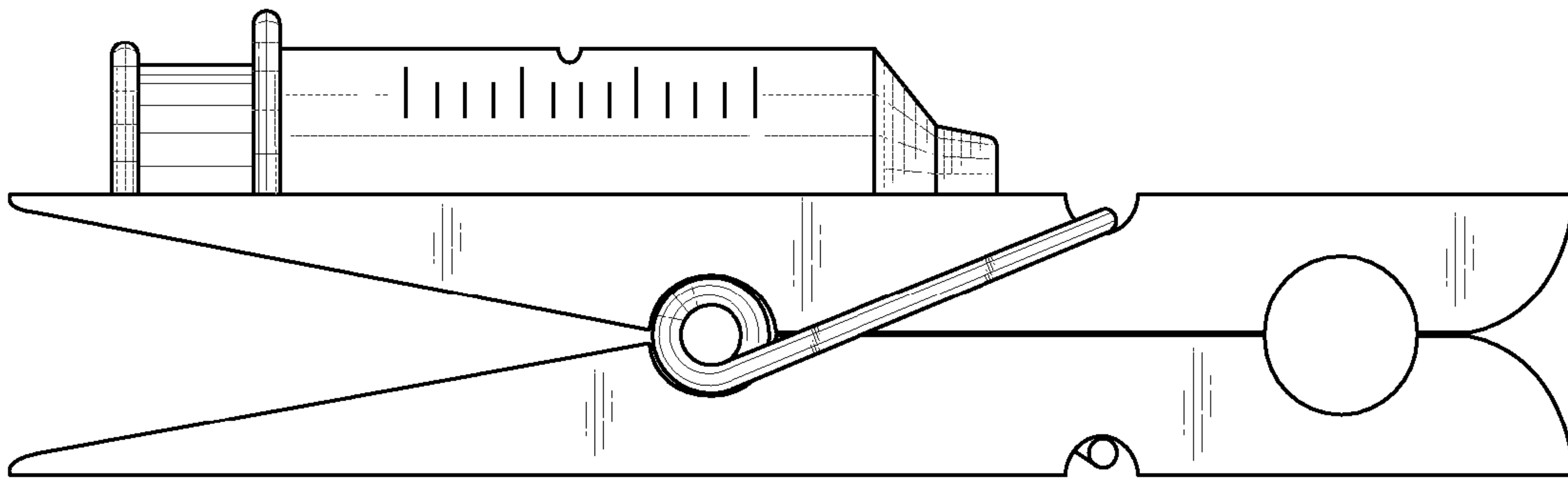


Fig. 3

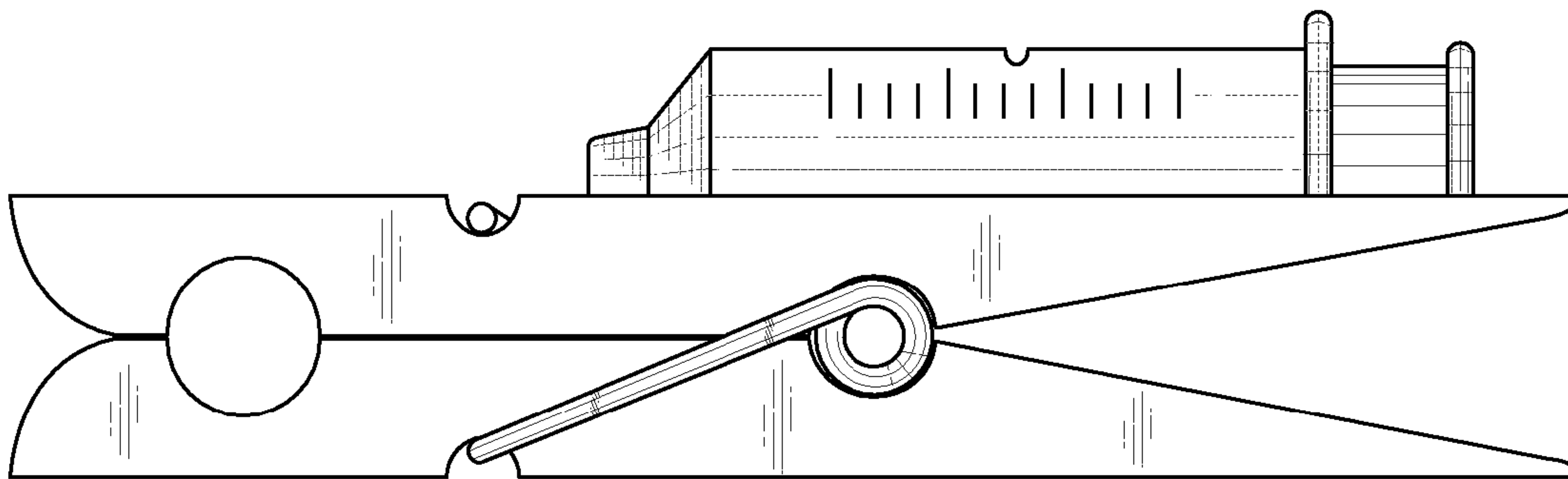


Fig. 4

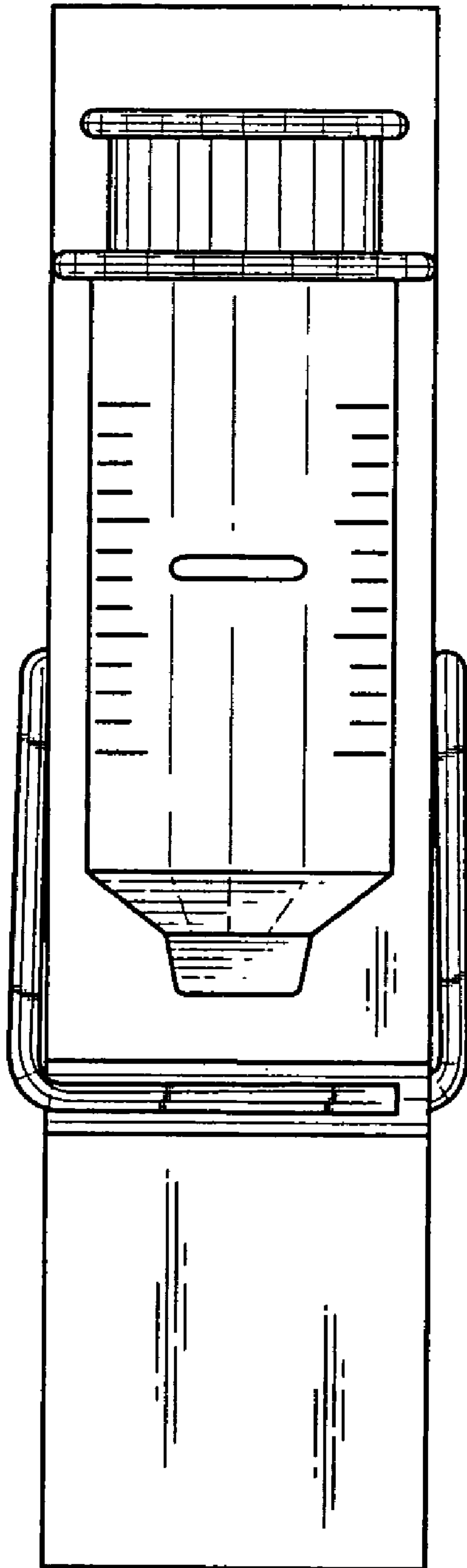


Fig. 5

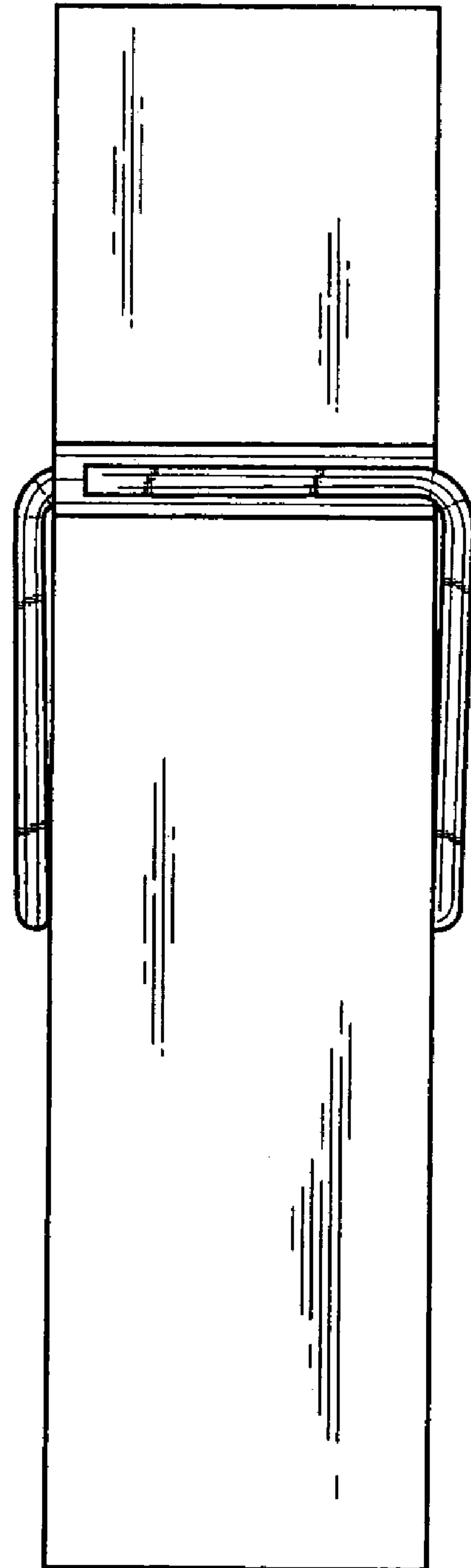


Fig. 6

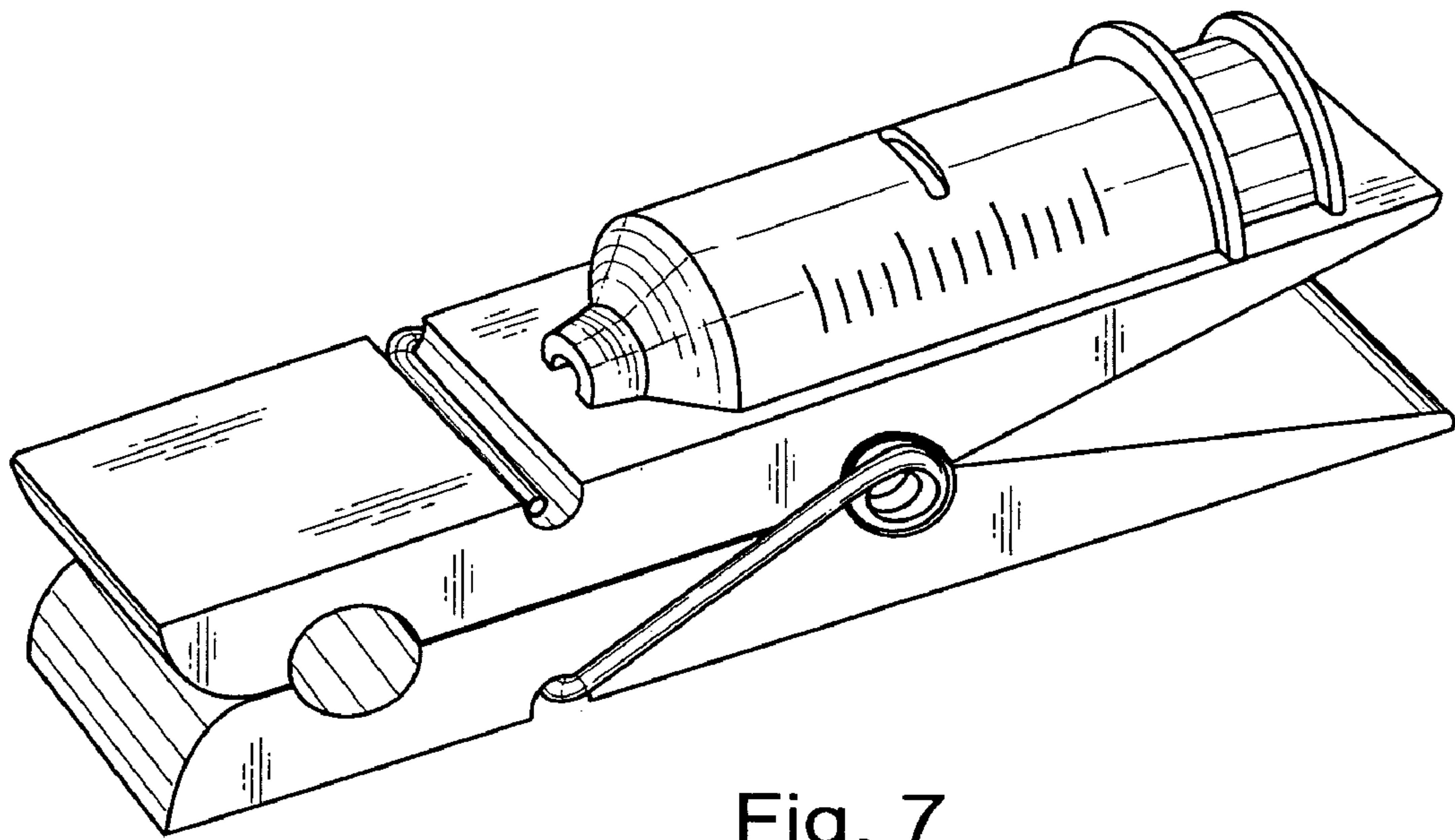


Fig. 7

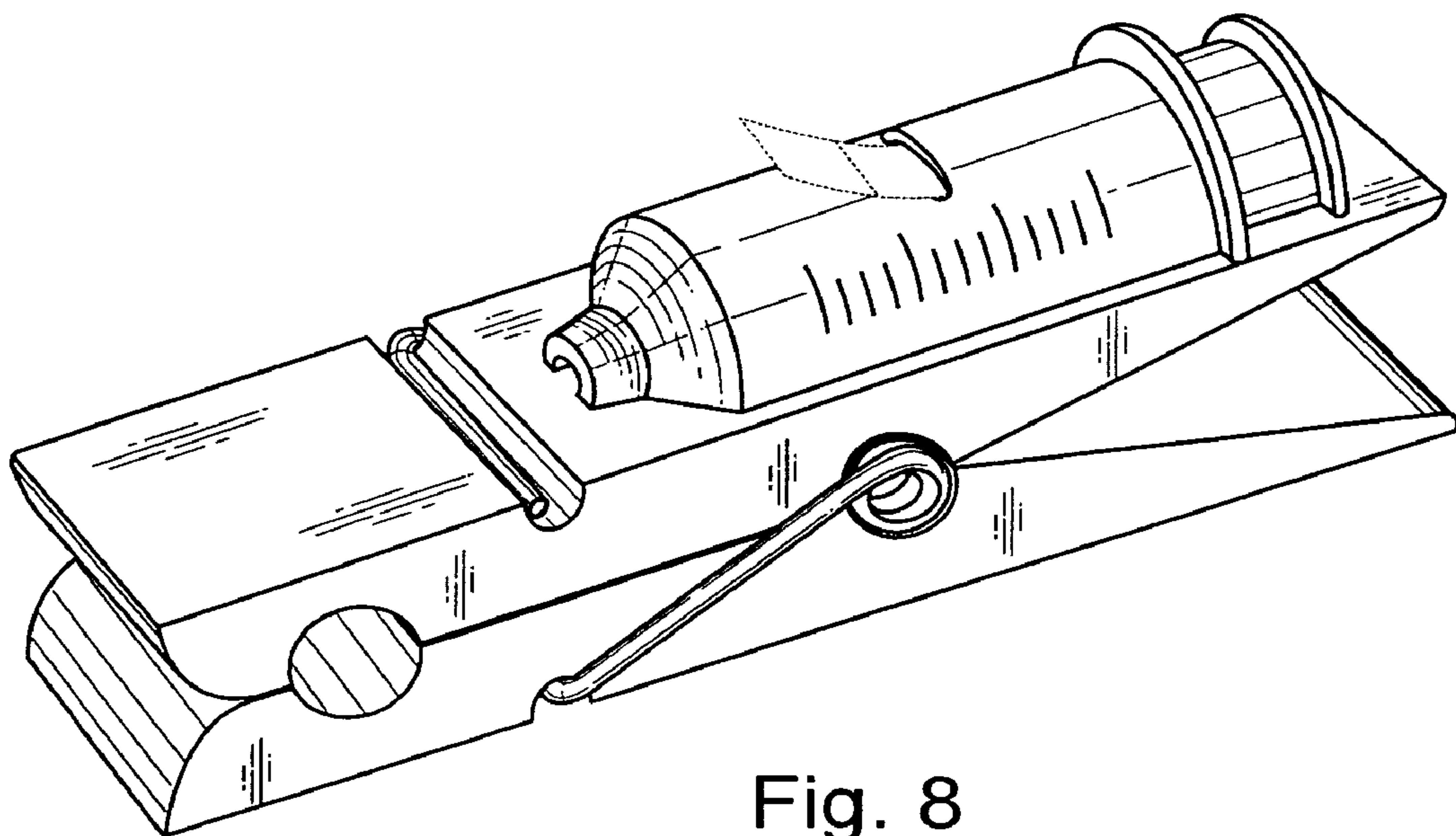


Fig. 8