



US00D568939S

(12) **United States Design Patent**
Bhavnani

(10) **Patent No.:** **US D568,939 S**

(45) **Date of Patent:** **** *May 13, 2008**

(54) **PEN CAP**

(75) Inventor: **Dilip Bhavnani**, Beverly Hills, CA
(US)

(73) Assignee: **Sun Coast Merchandise Corporation**,
Commerce, CA (US)

(*) Notice: This patent is subject to a terminal disclaimer.

(**) Term: **14 Years**

(21) Appl. No.: **29/284,103**

(22) Filed: **Aug. 30, 2007**

Related U.S. Application Data

(62) Division of application No. 29/283,162, filed on Aug. 7, 2007, now Pat. No. Des. 561,832.

(51) **LOC (8) Cl.** **19-06**

(52) **U.S. Cl.** **D19/57**

(58) **Field of Classification Search** D19/35,
D19/36, 41-51, 53-57; 24/11 R, 11 F, 11 P;
401/52, 99, 100, 104, 105, 106, 107, 108,
401/109, 192, 195, 196

See application file for complete search history.

(56) **References Cited**

U.S. PATENT DOCUMENTS

D179,615 S * 1/1957 Spatz D28/4
2,777,447 A * 1/1957 Gossler 131/178
D327,621 S * 7/1992 Heller D8/82

D402,690 S * 12/1998 Hazzard D19/51
5,913,629 A * 6/1999 Hazzard 401/33
6,050,735 A * 4/2000 Hazzard 401/333
D430,606 S * 9/2000 Veillon D19/48
D436,624 S * 1/2001 Zier D19/48
D446,212 S * 8/2001 Chang D14/411
D468,771 S * 1/2003 Holland et al. D19/51
D495,742 S * 9/2004 Collin D19/43

* cited by examiner

Primary Examiner—Elizabeth A. Albert

(74) *Attorney, Agent, or Firm*—The Soni Law Firm

(57) **CLAIM**

The ornamental design for a pen cap, as shown and described.

DESCRIPTION

FIG. 1 is a front bottom side perspective view of the pen cap showing my new design;

FIG. 2 is a front elevational view thereof;

FIG. 3 is a left elevational view thereof which is a mirror image of the right elevational view thereof;

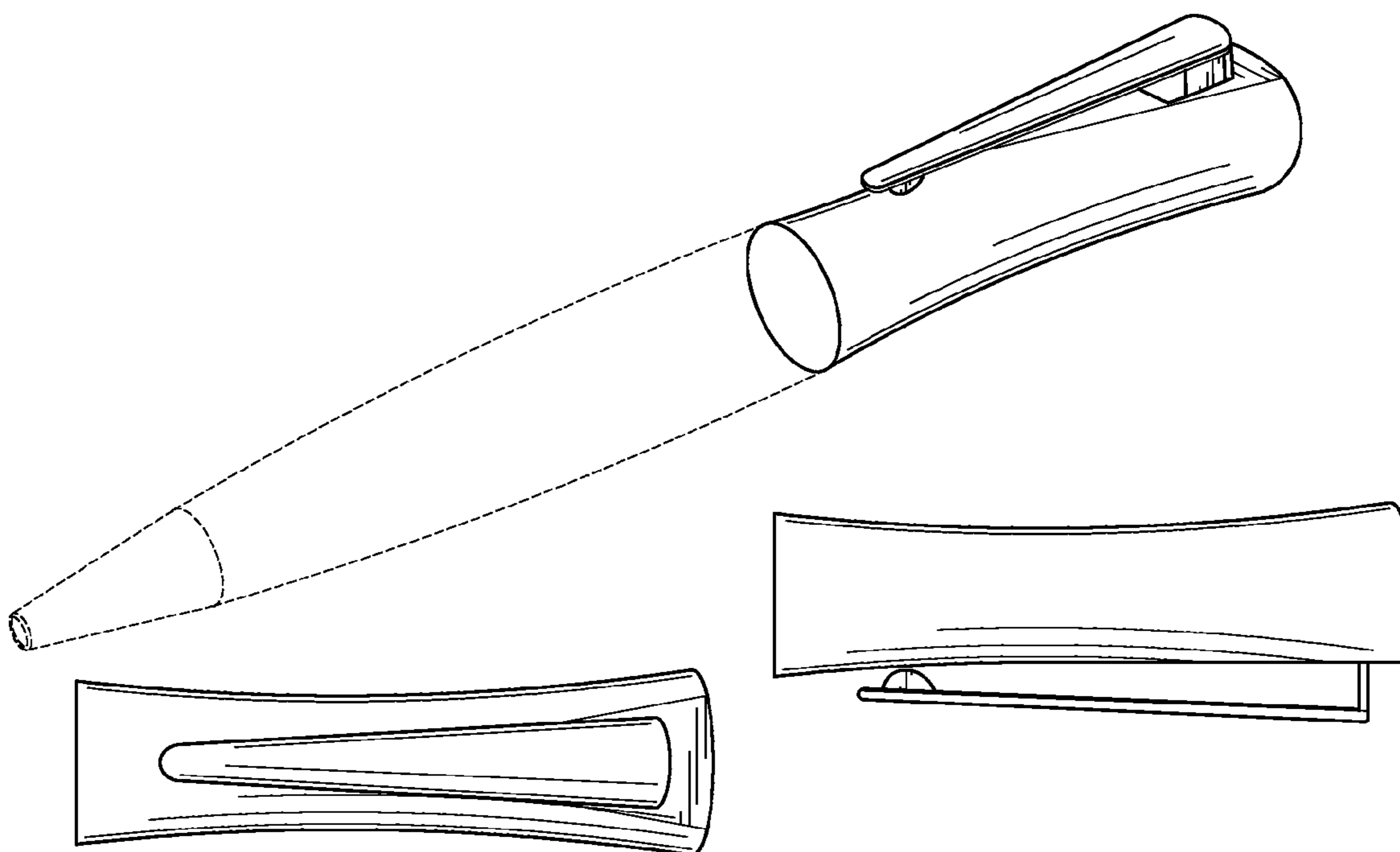
FIG. 4 is a back elevational view thereof;

FIG. 5 is a bottom plan view thereof; and,

FIG. 6 is a top plan view thereof.

The broken lines depicting environmental structure are for illustrative purposes only and form no part of the claimed design.

1 Claim, 2 Drawing Sheets



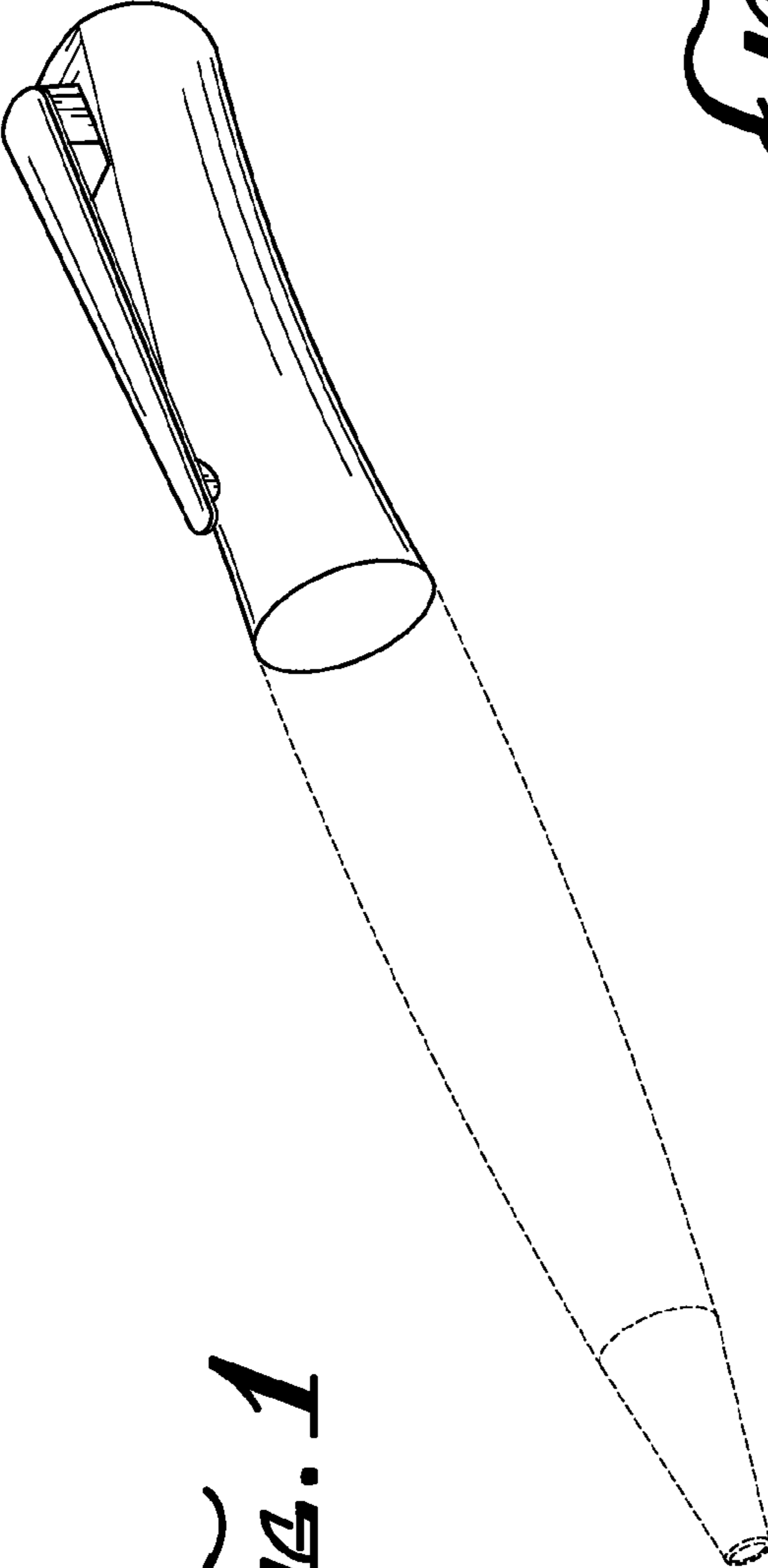


FIG. 1

FIG. 2

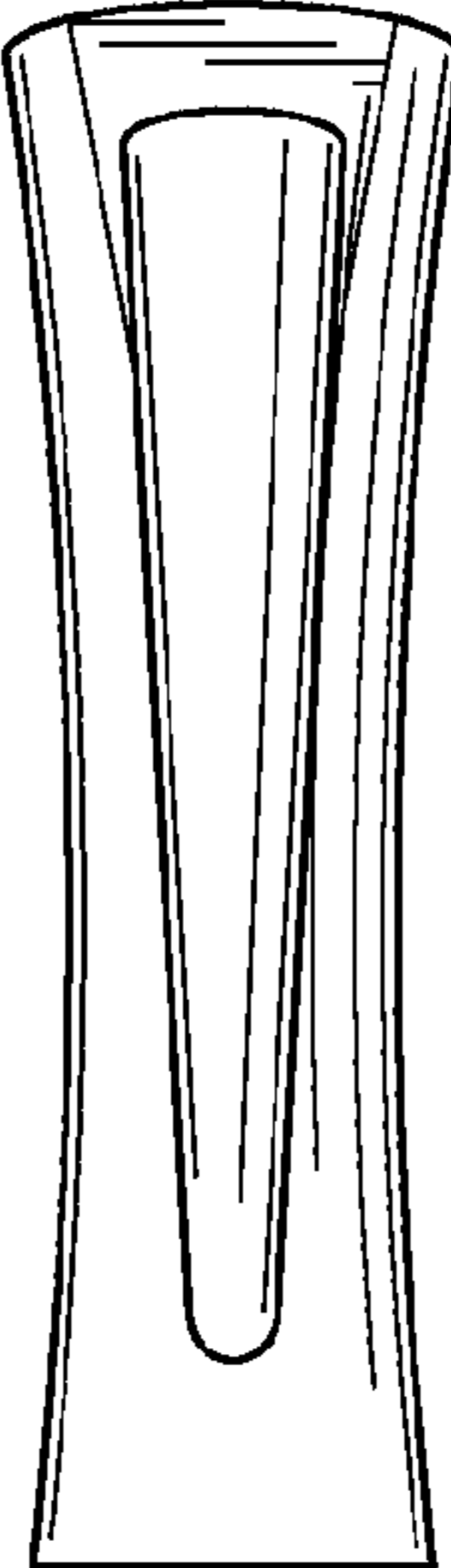
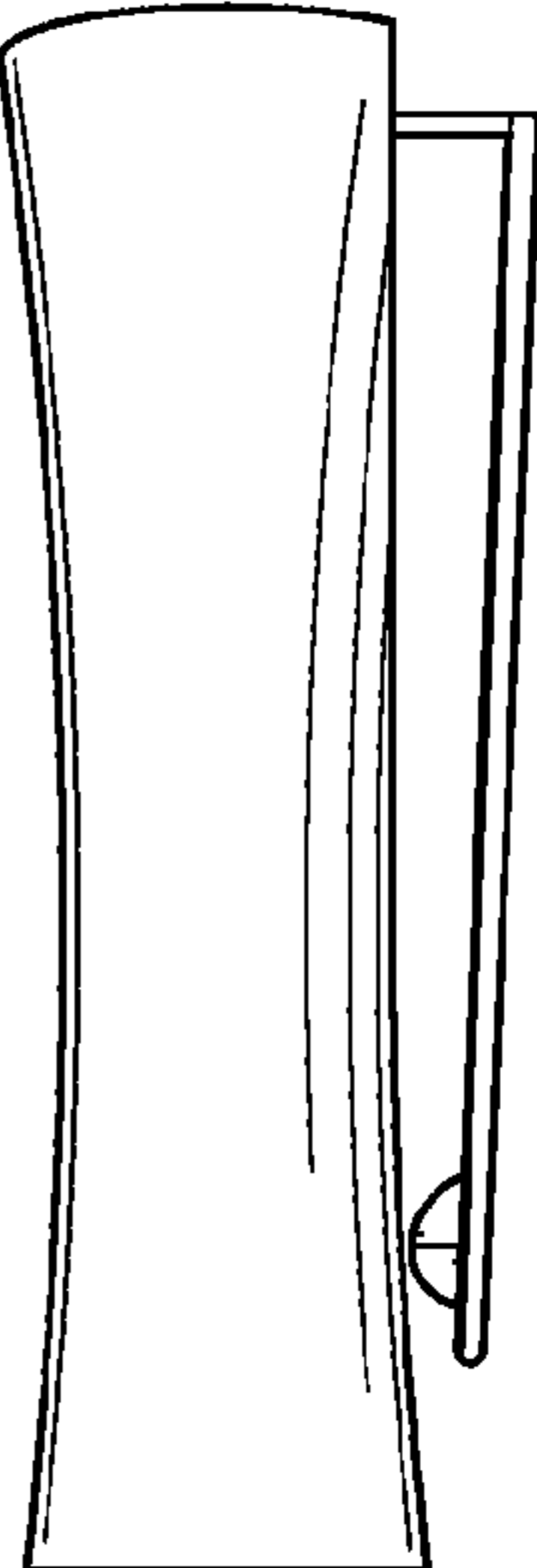


FIG. 3



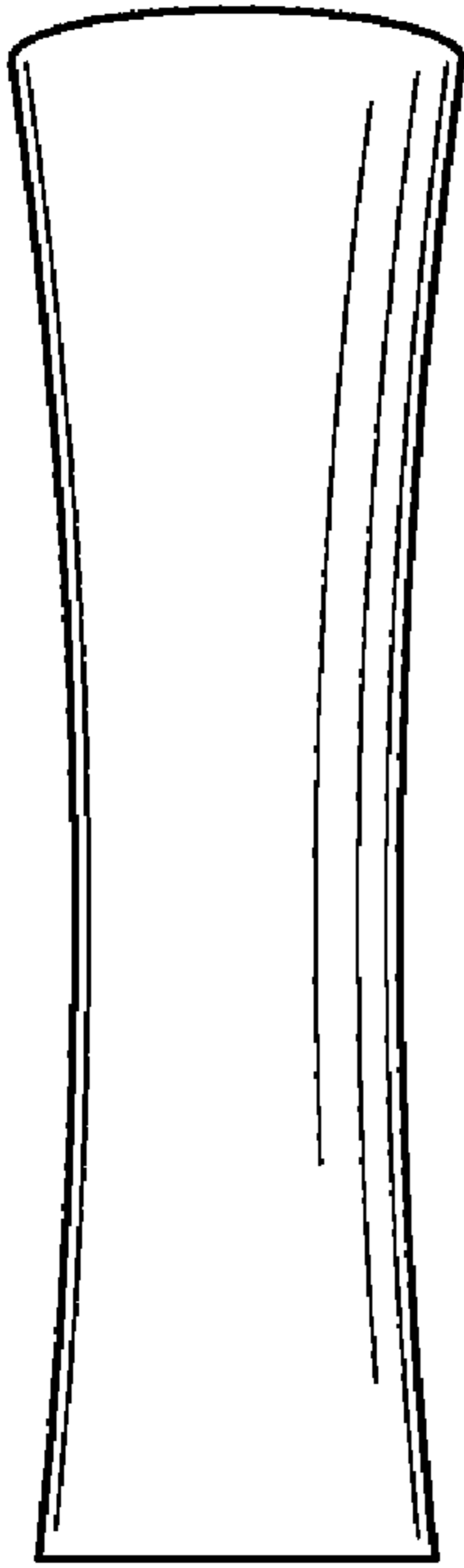


FIG. 4

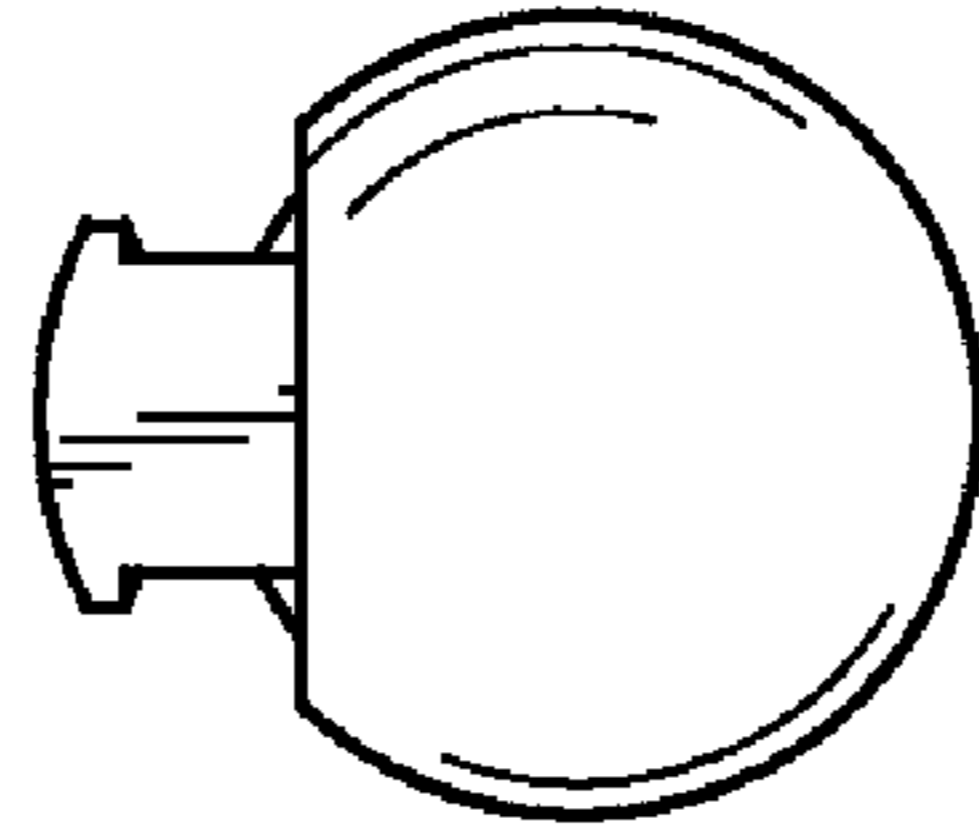


FIG. 5

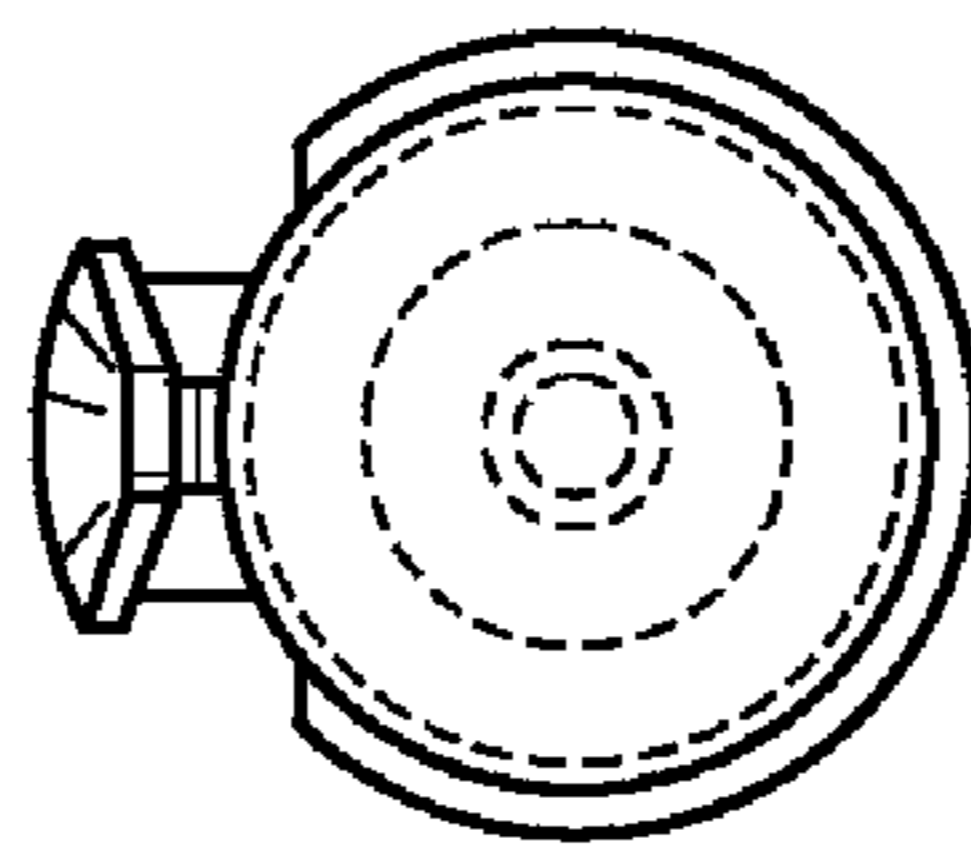


FIG. 6