



US00D568931S

(12) **United States Design Patent**
Declerck

(10) **Patent No.:** **US D568,931 S**

(45) **Date of Patent:** **** May 13, 2008**

(54) **INSERT FOR A WIRE-BOUND NOTEBOOK**

(75) Inventor: **Marc Declerck**, Shelbyville, KY (US)

(73) Assignee: **NV Bekaert SA**, Zwevegem (BE)

(**) Term: **14 Years**

(21) Appl. No.: **29/271,087**

(22) Filed: **Jan. 10, 2007**

(30) **Foreign Application Priority Data**

Jul. 10, 2006 (EM) 000557467-0002

(51) **LOC (8) Cl.** **19-04**

(52) **U.S. Cl.** **D19/32**

(58) **Field of Classification Search** D19/32-33,
D19/75, 78, 86, 90; 281/43, 45, 51; 402/4-5,
402/1, 8, 17, 79; 312/184; 283/117; 211/46,
211/113; D25/119-125

See application file for complete search history.

(56) **References Cited**

U.S. PATENT DOCUMENTS

1,959,858	A *	5/1934	Dawson	402/37
D307,441	S *	4/1990	Roberson, Jr.	D19/34
5,052,646	A *	10/1991	Hawes et al.	248/214
D333,910	S *	3/1993	Rorke	D6/630
5,197,762	A *	3/1993	Abramov	281/43
D356,830	S *	3/1995	Messier	D19/90
5,722,692	A *	3/1998	Abramov	281/43
D404,424	S *	1/1999	Covey	D19/32
5,915,873	A *	6/1999	Karlis	402/79

D415,798	S *	10/1999	Davies	D20/27
D423,573	S *	4/2000	Moor	D19/26
6,086,281	A *	7/2000	Covey	402/79
6,109,812	A *	8/2000	Welch	402/3
6,672,785	B1	1/2004	O'Hara et al.		
6,776,550	B2 *	8/2004	Roca	402/79
2003/0223804	A1 *	12/2003	Roca	402/79

OTHER PUBLICATIONS

U.S. Appl. No. 29/271,086, filed Jan. 2007, Declerck.

* cited by examiner

Primary Examiner—Elizabeth A. Albert

Assistant Examiner—Kelley A Donnelly

(74) *Attorney, Agent, or Firm*—Shlesinger, Arkwright & Garvey LLP

(57) **CLAIM**

The ornamental design for an insert for a wire-bound notebook, as shown and described.

DESCRIPTION

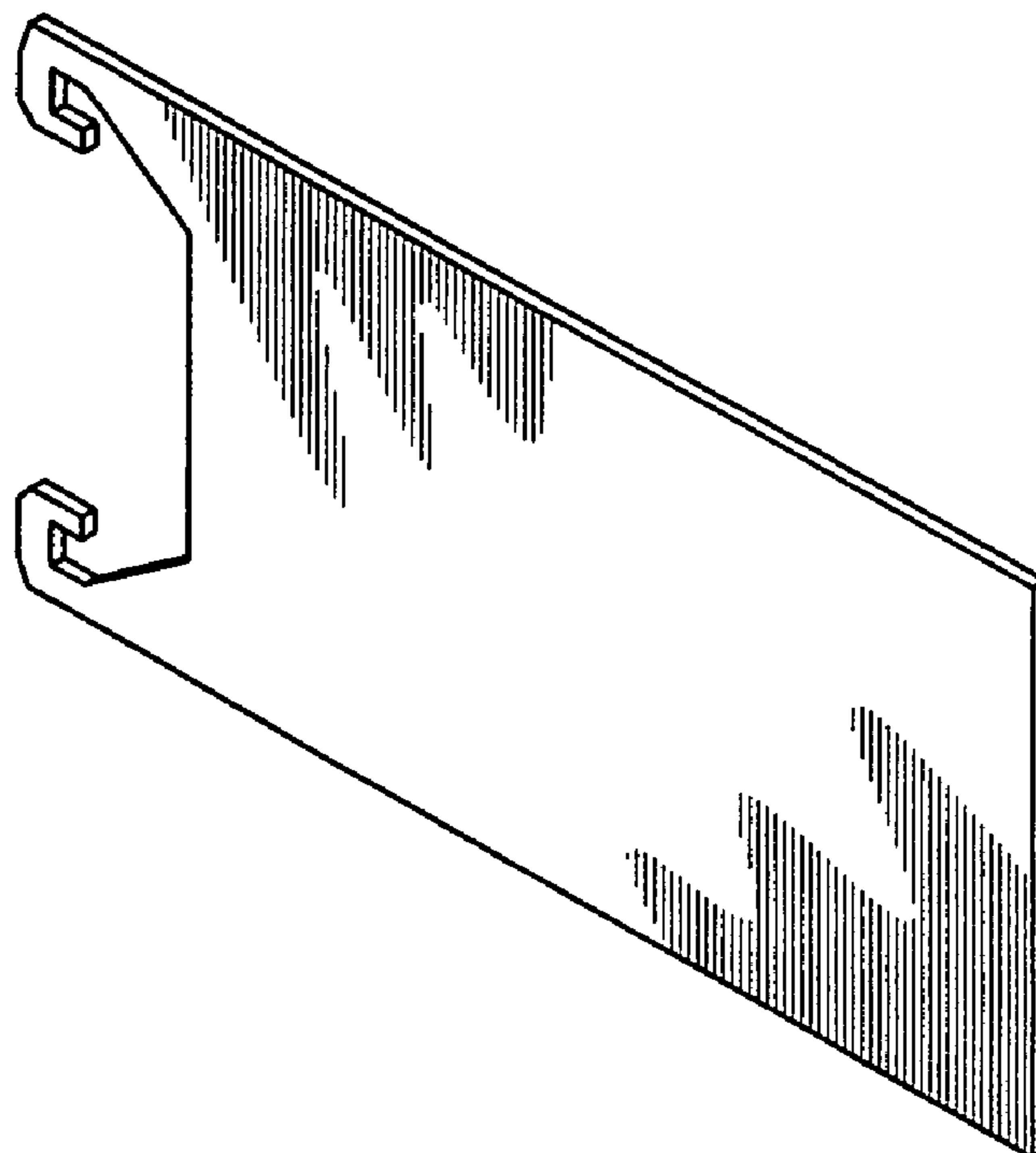
FIG. 1 is a front perspective view of my insert for a wire-bound notebook;

FIG. 2 is a rear perspective view of my insert for a wire-bound notebook of FIG. 1; and,

FIG. 3 is a top plan view of my insert for a wire-bound notebook of FIG. 1 in use on a wire-bound notebook.

The broken lines shown in FIG. 3 are for environmental purposes only and form no part of the claimed design.

1 Claim, 1 Drawing Sheet



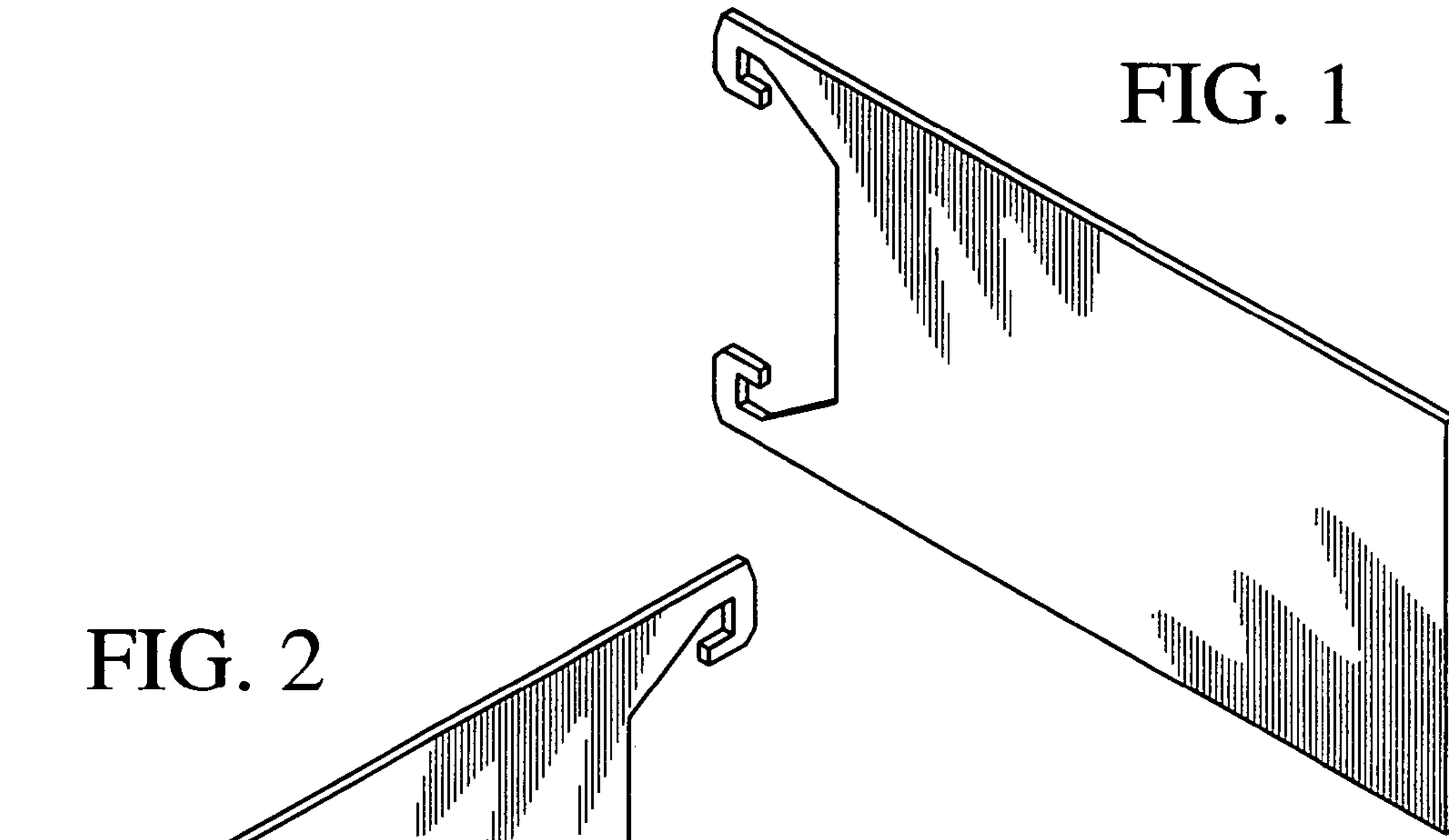


FIG. 1

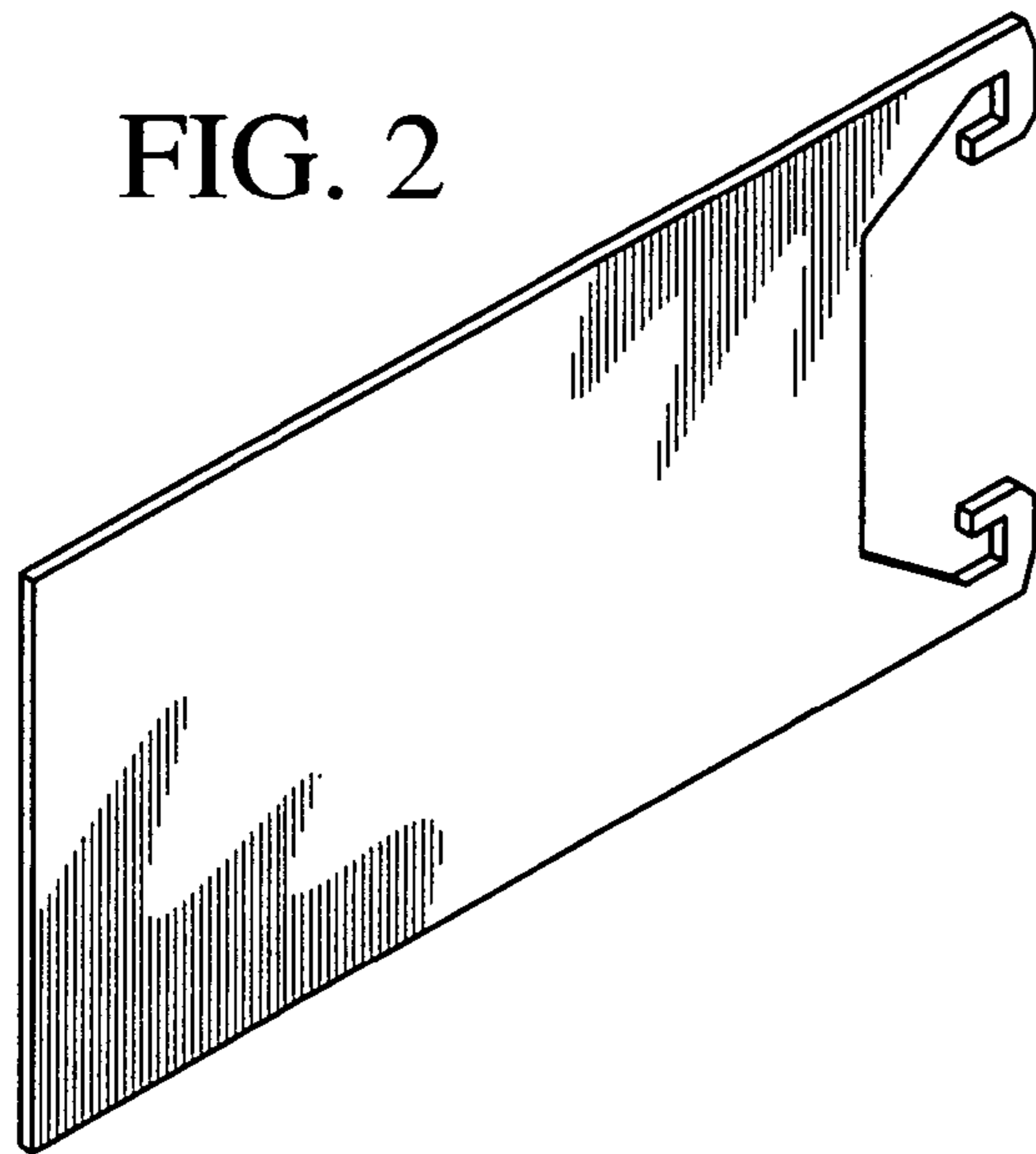


FIG. 2

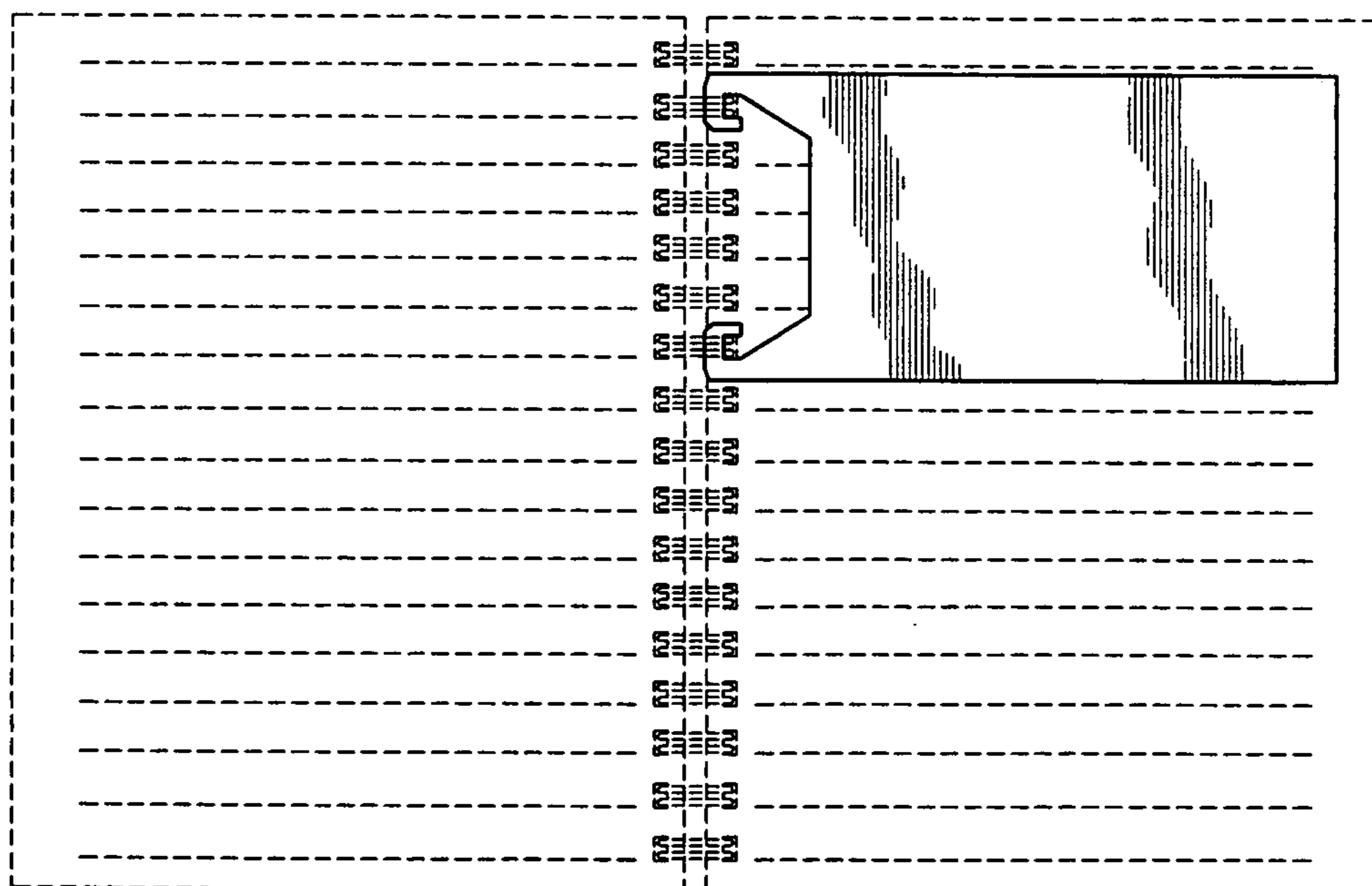


FIG. 3