



US00D568913S

(12) **United States Design Patent**
Suh et al.

(10) **Patent No.:** **US D568,913 S**
(45) **Date of Patent:** **** May 13, 2008**

(54) **DISPENSER FOR REFRIGERATOR**

(75) Inventors: **Seung Wook Suh**, Seoul (KR); **Sei Ill Jeon**, Seoul (KR); **Andy Shin**, Seoul (KR)

(73) Assignee: **Samsung Electronics Co., Ltd.**, Suwon (KR)

(**) Term: **14 Years**

(21) Appl. No.: **29/291,699**

(22) Filed: **Sep. 11, 2007**

(51) **LOC (8) Cl.** **15-07**

(52) **U.S. Cl.** **D15/89**

(58) **Field of Classification Search** D15/79-82,
D15/85-87, 89, 91; 62/246-255, 275, 337,
62/344, 3.6, 98, 125-129, 238.5, 389; 220/592.01;
222/108; 312/236, 352, 400-406; D7/307,
D7/311

See application file for complete search history.

(56) **References Cited**

U.S. PATENT DOCUMENTS

5,033,273	A *	7/1991	Buchser et al.	62/344
5,269,154	A *	12/1993	Schmidt	62/275
D365,579	S *	12/1995	Baker et al.	D15/89
5,474,213	A *	12/1995	Unger	222/108
D367,659	S *	3/1996	Baker et al.	D15/89
6,595,021	B2 *	7/2003	Skinner	62/344
6,651,449	B2 *	11/2003	Heims et al.	62/98

D511,534	S *	11/2005	Ertz et al.	D15/89
D518,076	S *	3/2006	Quinlan et al.	D15/89
7,013,667	B2 *	3/2006	Jung	62/389
D523,878	S *	6/2006	Quinlan et al.	D15/89
2005/0268624	A1 *	12/2005	Voglewede et al.	62/126
2005/0268638	A1 *	12/2005	Voglewede et al.	62/389

* cited by examiner

Primary Examiner—Mitchell Siegel

Assistant Examiner—Shanda C. Hill

(74) *Attorney, Agent, or Firm*—Ladas and Parry LLP

(57) **CLAIM**

The ornamental design for a dispenser for refrigerator, as shown and described.

DESCRIPTION

FIG. 1 is a front, right side and top perspective view of a dispenser for refrigerator showing our new design;

FIG. 2 is a front elevational view thereof;

FIG. 3 is a left side elevational view thereof;

FIG. 4 is a right side elevational view thereof;

FIG. 5 is a top plan view thereof;

FIG. 6 is a bottom plan view thereof; and,

FIG. 7 is a front, right side and top perspective view of the dispenser for refrigerator shown in condition of use.

The broken lines showing of the refrigerator is for illustrative purpose only and form no part of the claimed design.

1 Claim, 7 Drawing Sheets

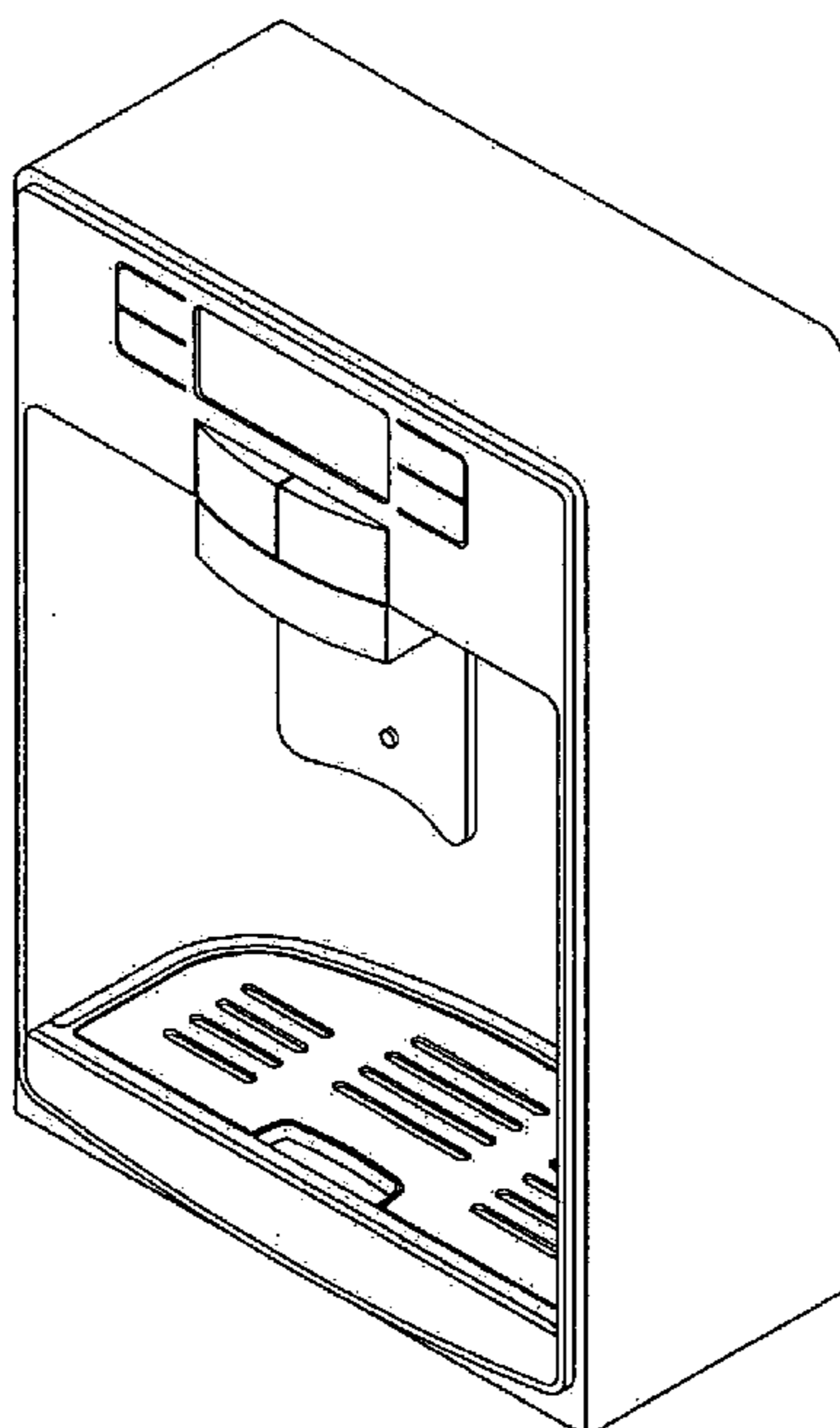


FIG. 1

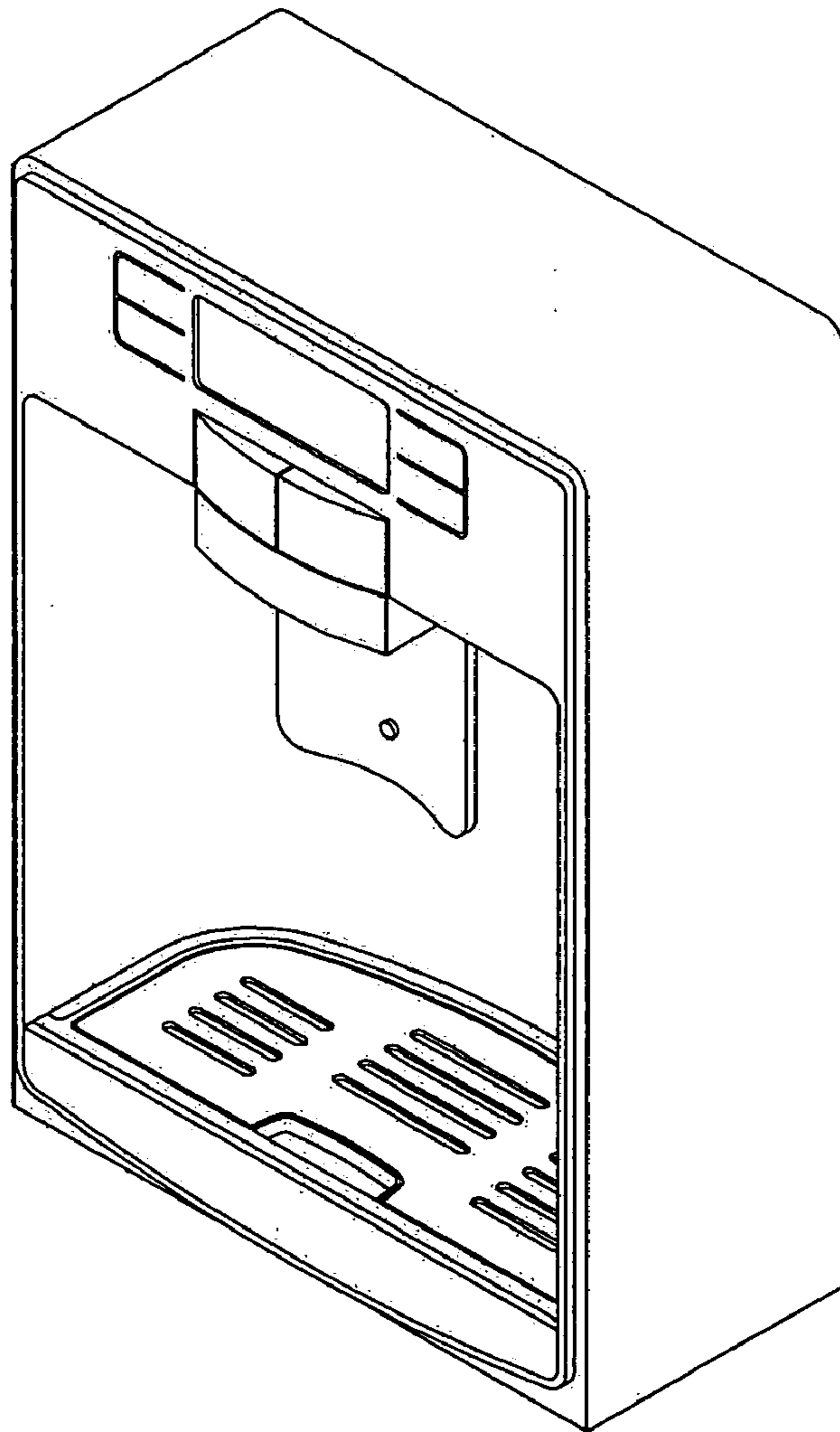


FIG. 2

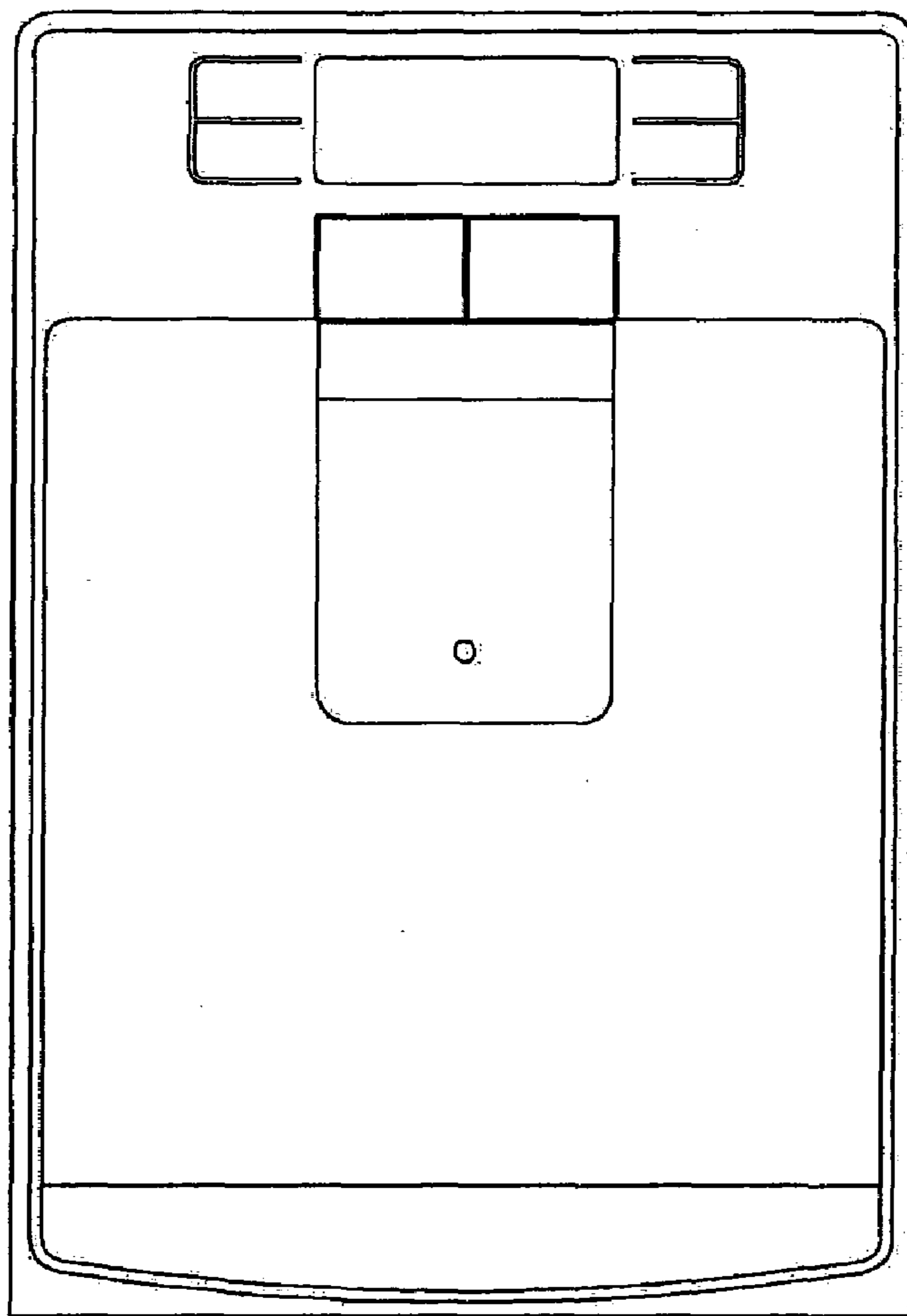


FIG. 3

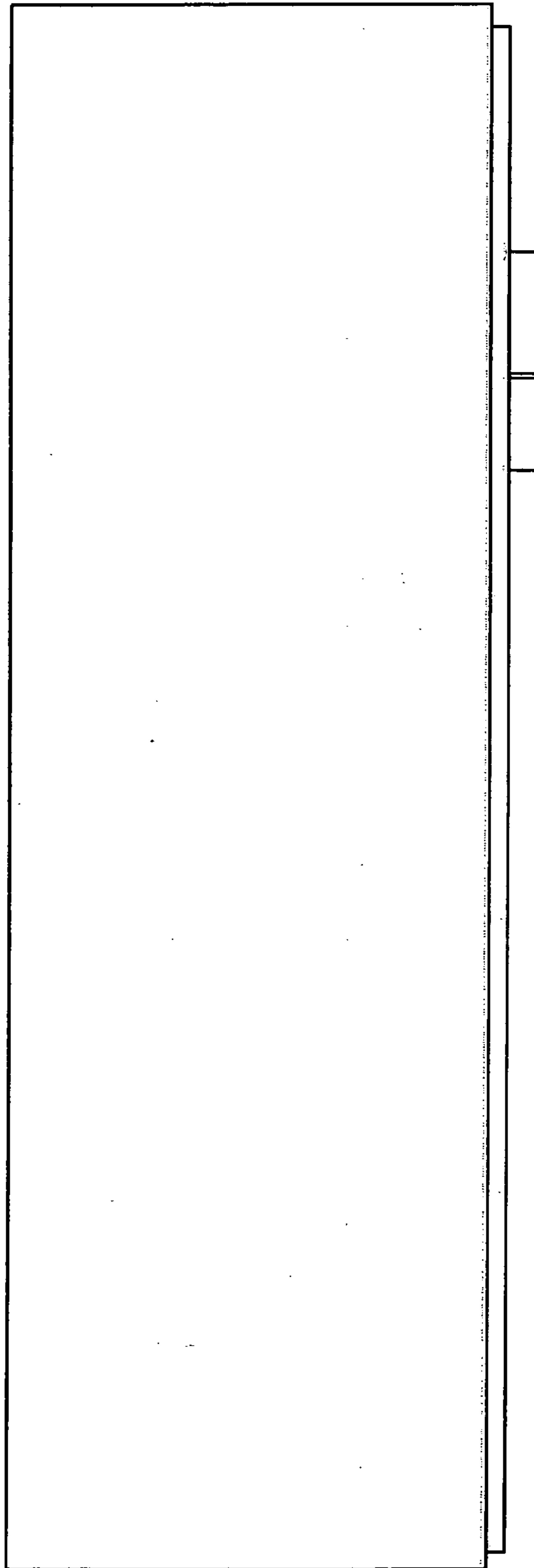


FIG. 4

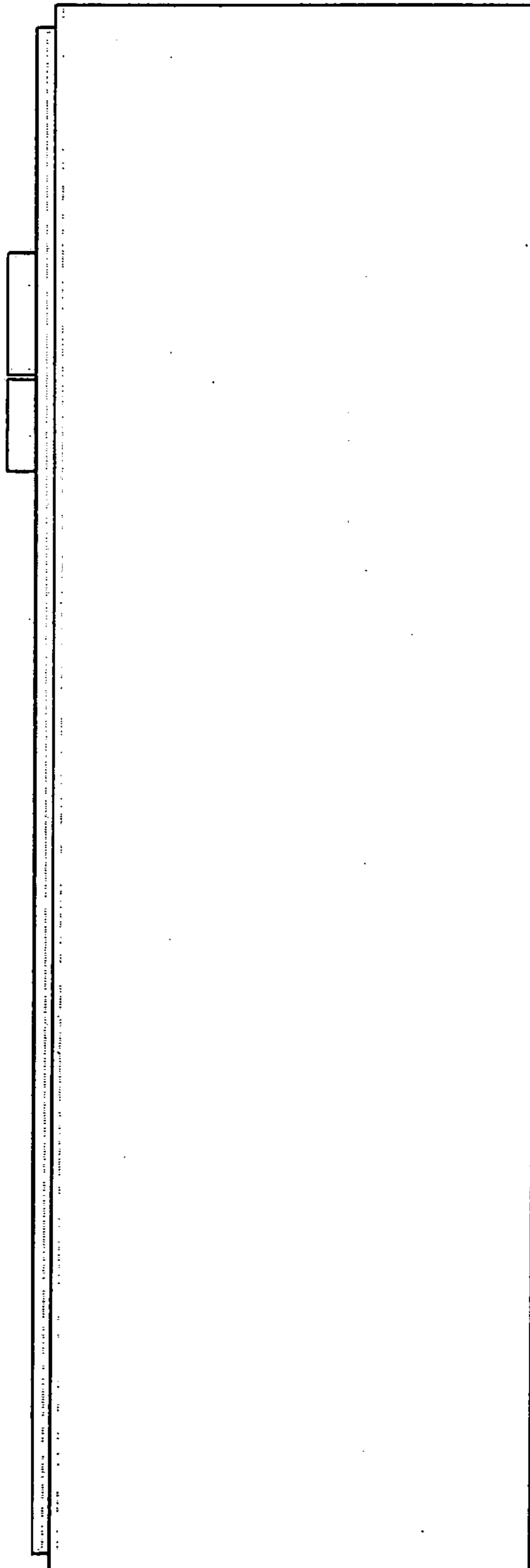


FIG. 5

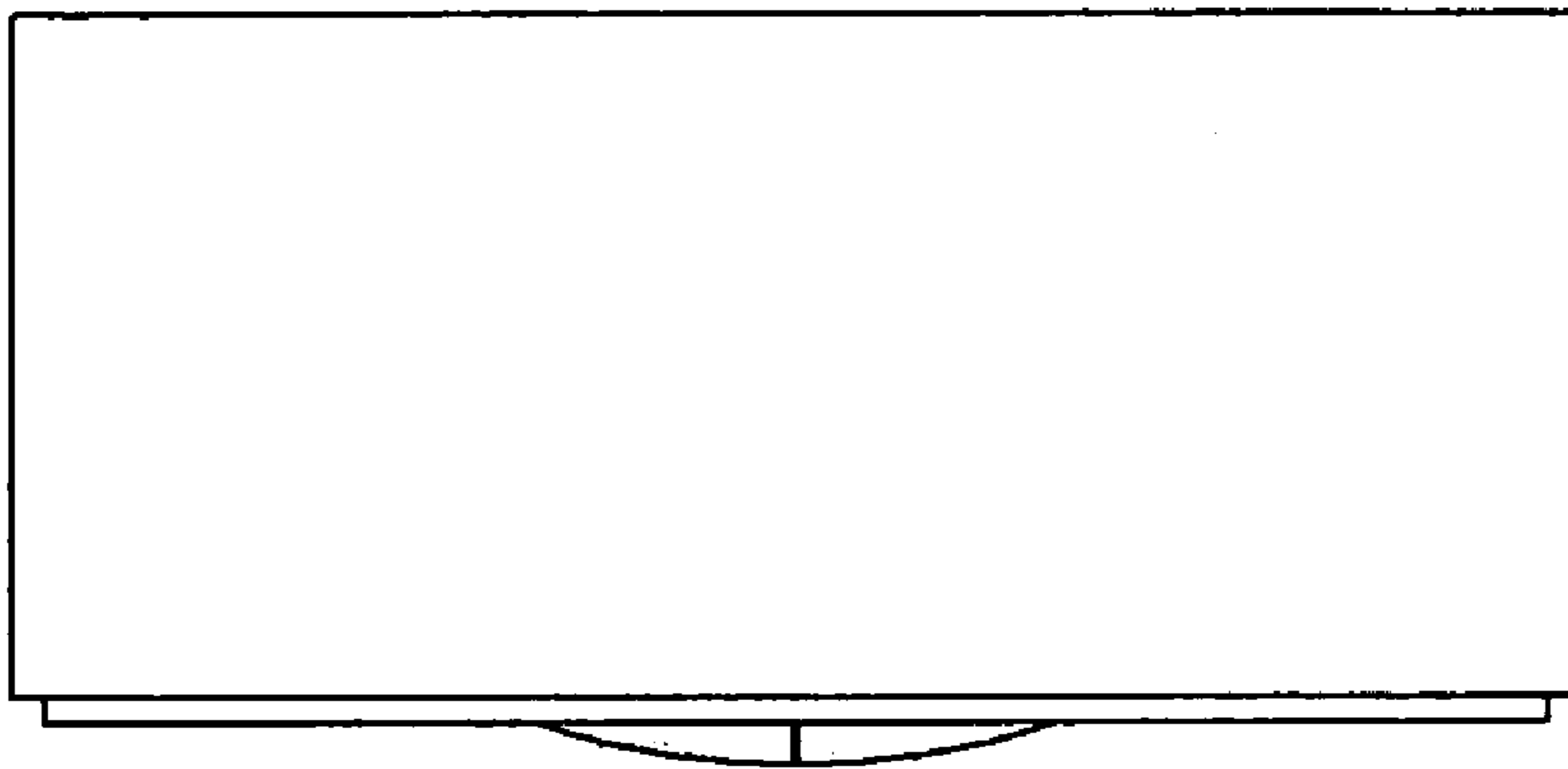


FIG. 6

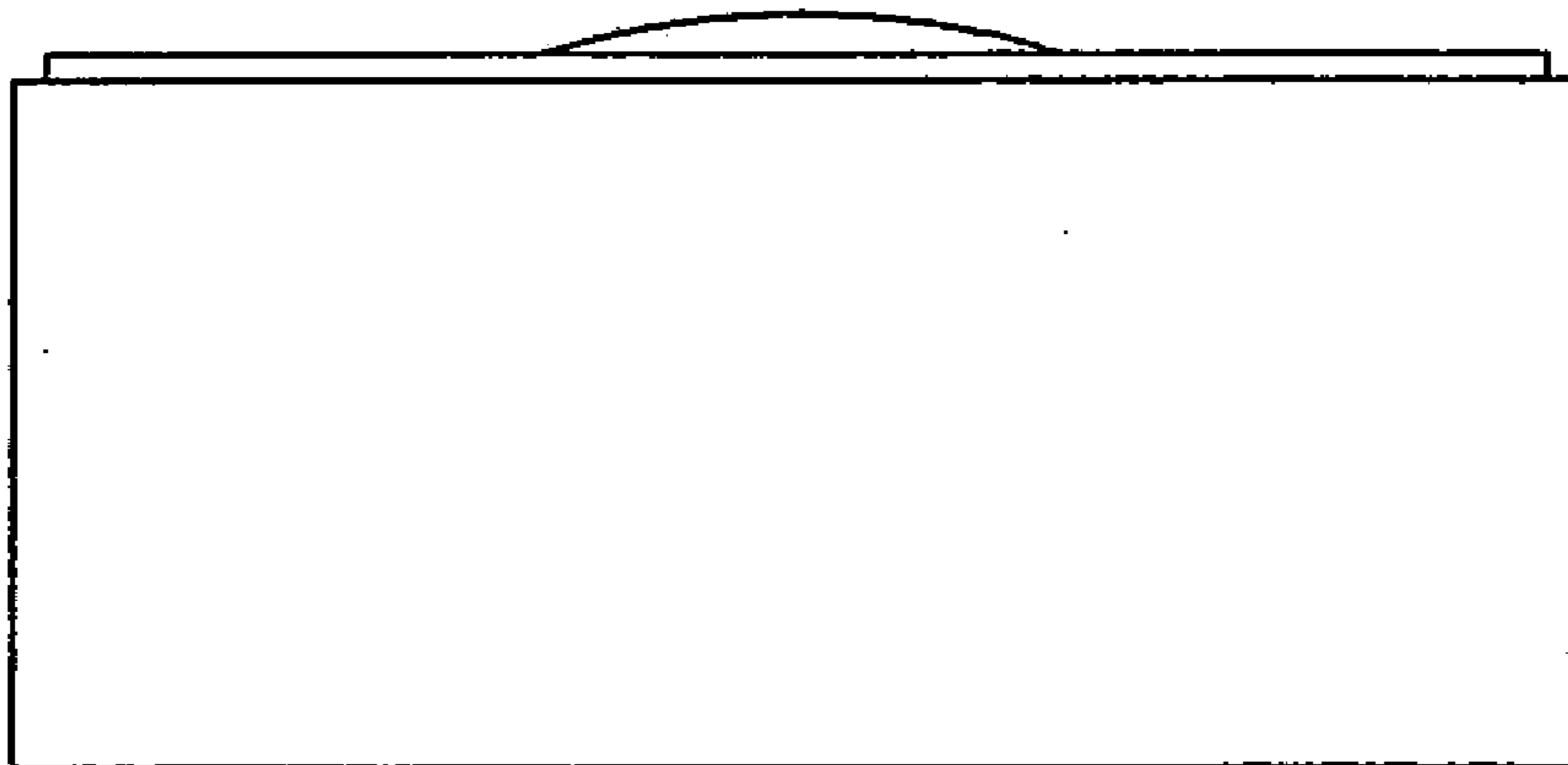


FIG. 7

