



US00D568912S

(12) **United States Design Patent**  
**Shin et al.**

(10) **Patent No.:** **US D568,912 S**

(45) **Date of Patent:** **\*\* May 13, 2008**

(54) **GUTTER FOR DISPENSER OF REFRIGERATOR**

(75) Inventors: **Andy Shin**, Seoul (KR); **Seung Wook Suh**, Seoul (KR)

(73) Assignee: **Samsung Electronics Co., Ltd.**, Suwon (KR)

(\*\*) Term: **14 Years**

(21) Appl. No.: **29/291,691**

(22) Filed: **Sep. 10, 2007**

(51) **LOC (8) Cl.** ..... **15-07**

(52) **U.S. Cl.** ..... **D15/89**

(58) **Field of Classification Search** ..... D15/79-82, D15/85-87, 89, 91; D7/307, 311; D12/114, D12/121, 125; 62/3.6, 98, 125-129, 238.5, 62/246-255, 275, 337, 344, 389; 312/236, 312/352, 400-406; 220/592.01; 222/108; 52/12; 180/291; 280/291

See application file for complete search history.

(56) **References Cited**

**U.S. PATENT DOCUMENTS**

D270,823	S *	10/1983	Mounts	.....	D12/114
D365,579	S *	12/1995	Baker et al.	.....	D15/89
5,474,213	A *	12/1995	Unger	.....	222/108
D367,659	S *	3/1996	Baker et al.	.....	D15/89
5,738,180	A *	4/1998	Hofmann et al.	.....	180/291
5,961,138	A *	10/1999	Roark et al.	.....	280/291
6,595,021	B2 *	7/2003	Skinner	.....	62/344
D518,076	S *	3/2006	Quinlan et al.	.....	D15/89
7,013,667	B2 *	3/2006	Jung	.....	62/389

D523,878	S *	6/2006	Quinlan et al.	.....	D15/89
D544,410	S *	6/2007	Johnson	.....	D12/114
2005/0268624	A1 *	12/2005	Voglewede et al.	.....	62/126
2005/0268638	A1 *	12/2005	Voglewede et al.	.....	62/389

\* cited by examiner

*Primary Examiner*—Mitchell Siegel

*Assistant Examiner*—Shanda C. Hill

(74) *Attorney, Agent, or Firm*—Ladas and Parry LLP

(57) **CLAIM**

The ornamental design for a gutter for dispenser of refrigerator, as shown and described.

**DESCRIPTION**

FIG. 1 is a front, right side and top perspective view of a gutter for dispenser of refrigerator showing our new design;

FIG. 2 is a front elevational view thereof;

FIG. 3 is a rear elevational view thereof;

FIG. 4 is a left side elevational view thereof;

FIG. 5 is a right side elevational view thereof;

FIG. 6 is a top plan view thereof;

FIG. 7 is a bottom plan view thereof;

FIG. 8 is a front, right side and top perspective view of the gutter for dispenser of refrigerator shown in condition of use; and,

FIG. 9 is an exploded view of the gutter for dispenser of refrigerator.

The broken lines showing of the refrigerator is for illustrative purpose only and form no part of the claimed design.

**1 Claim, 4 Drawing Sheets**

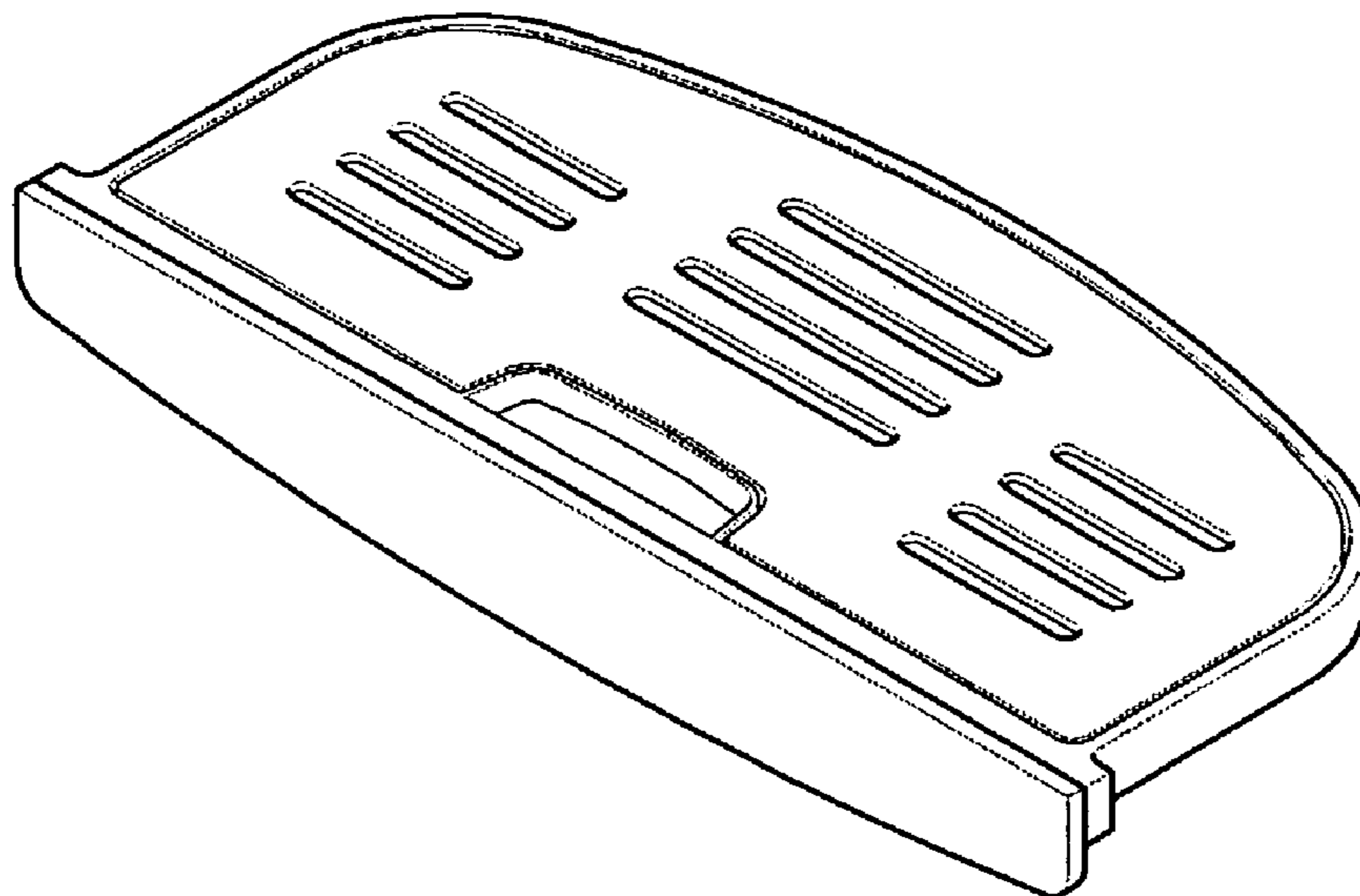


FIG. 1

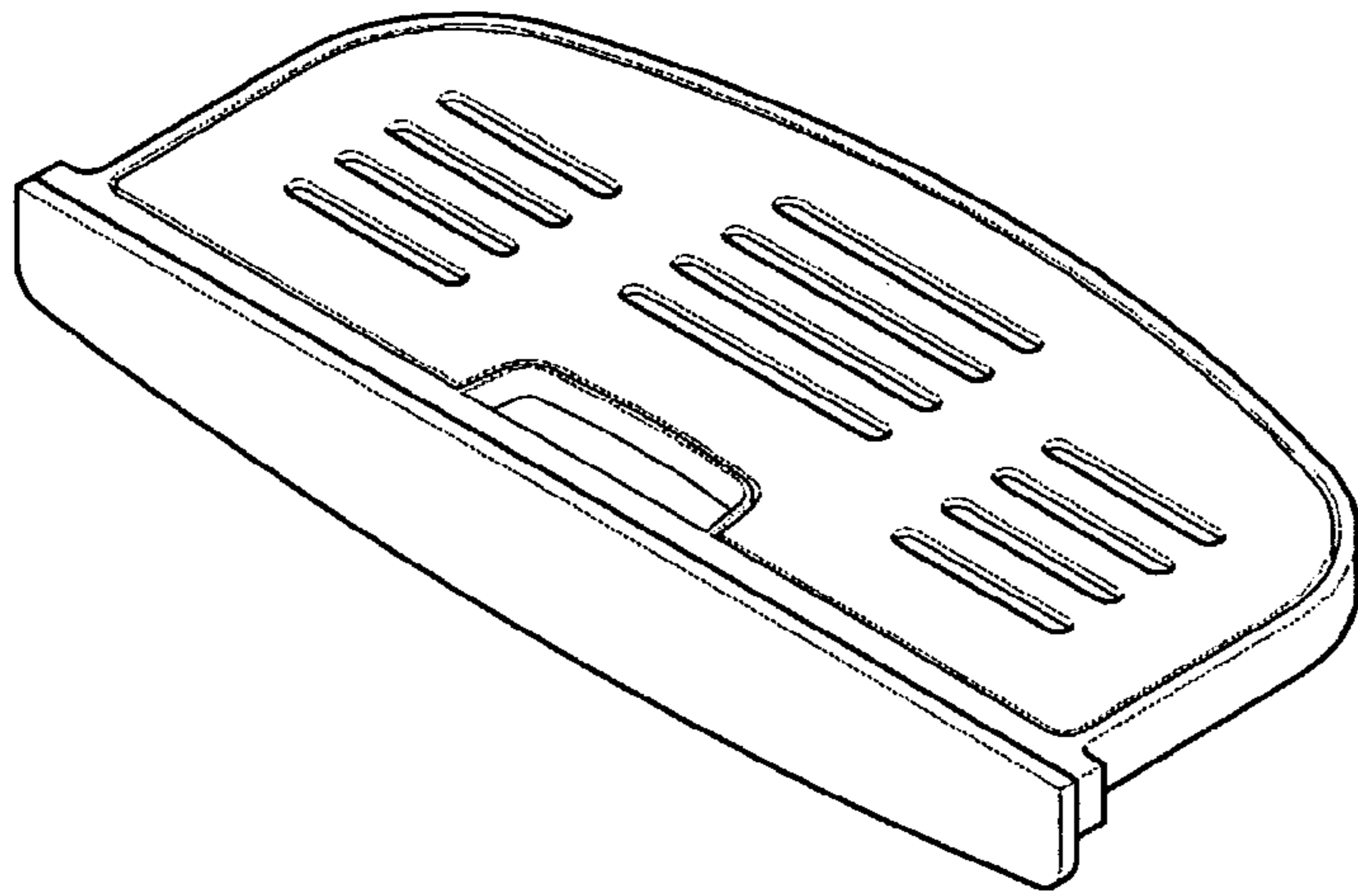


FIG. 2

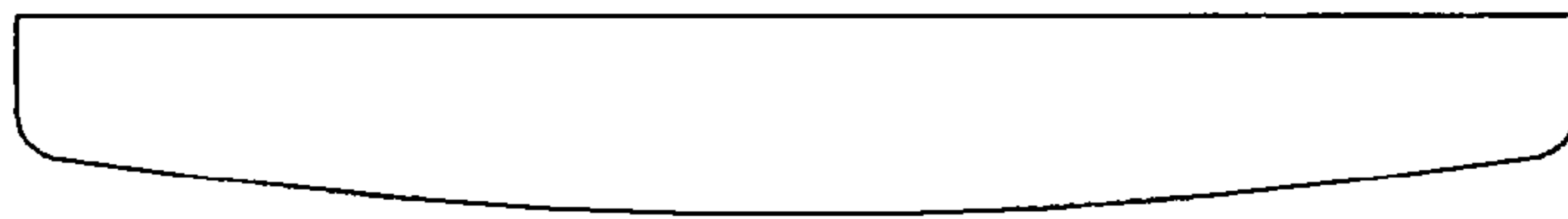


FIG. 3

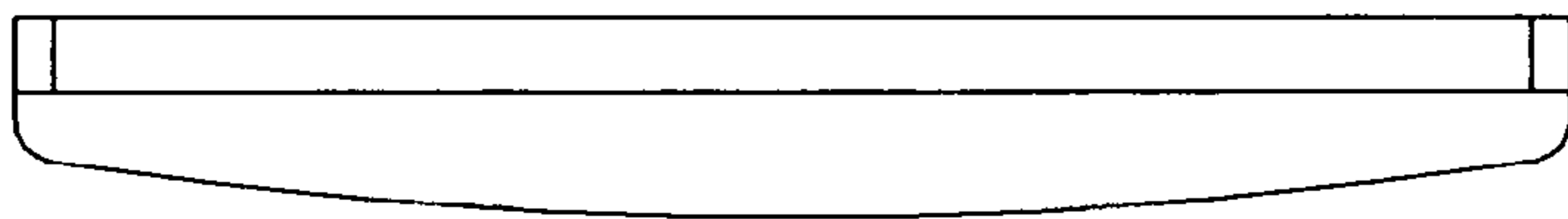


FIG. 4

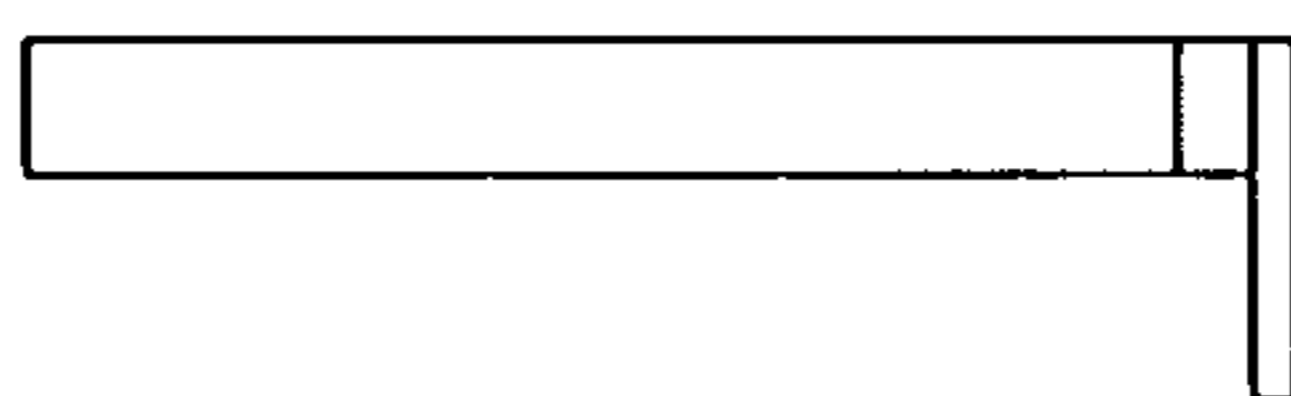


FIG. 5

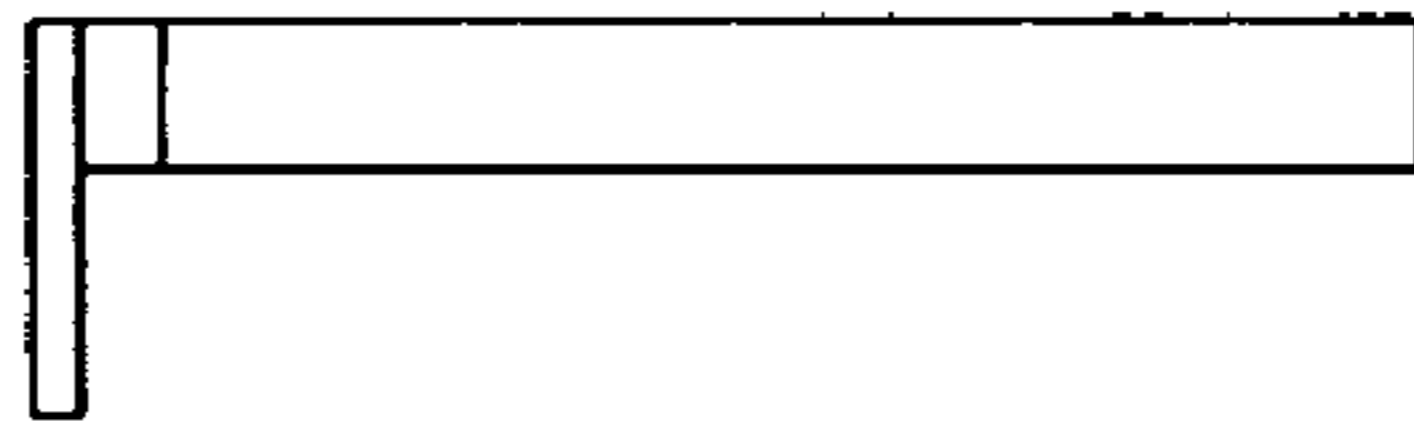


FIG. 6

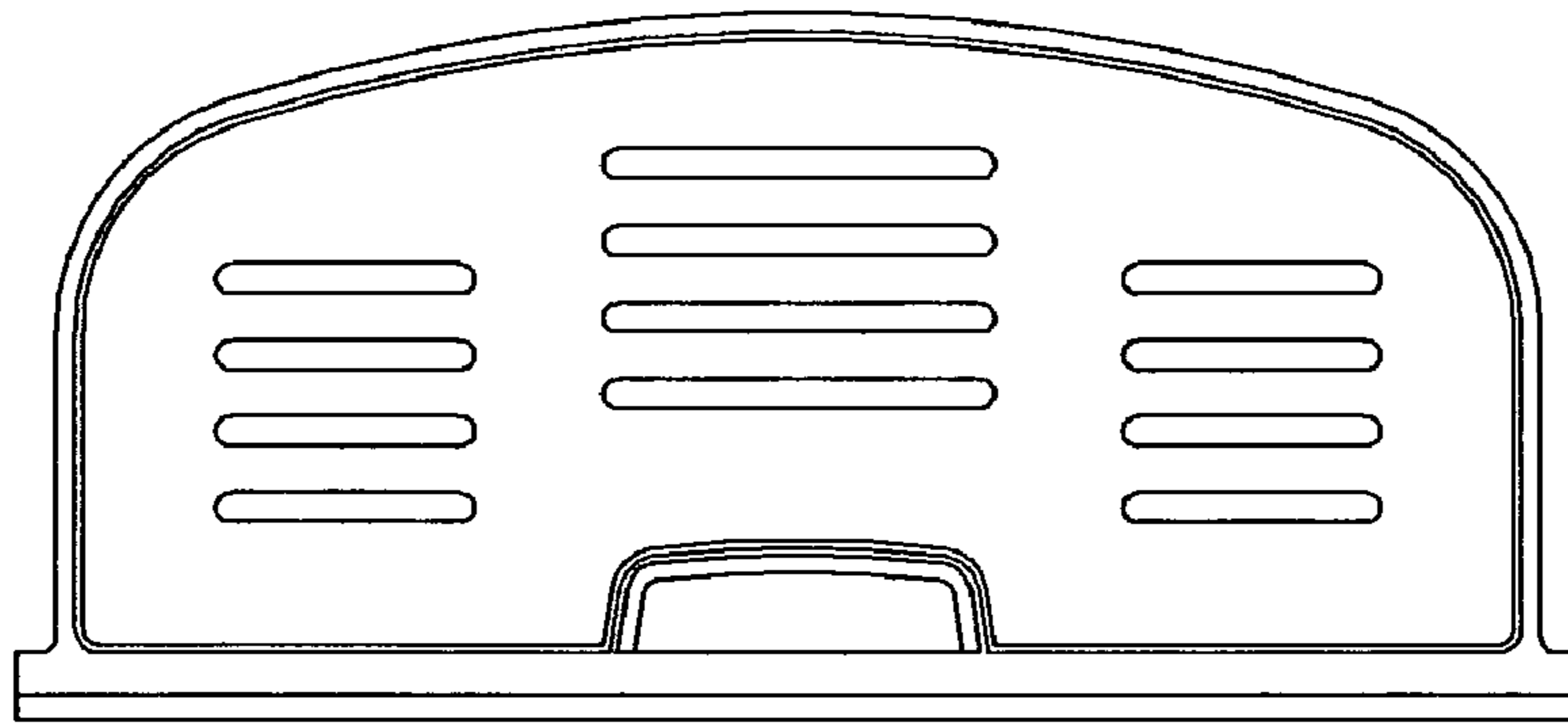


FIG. 7

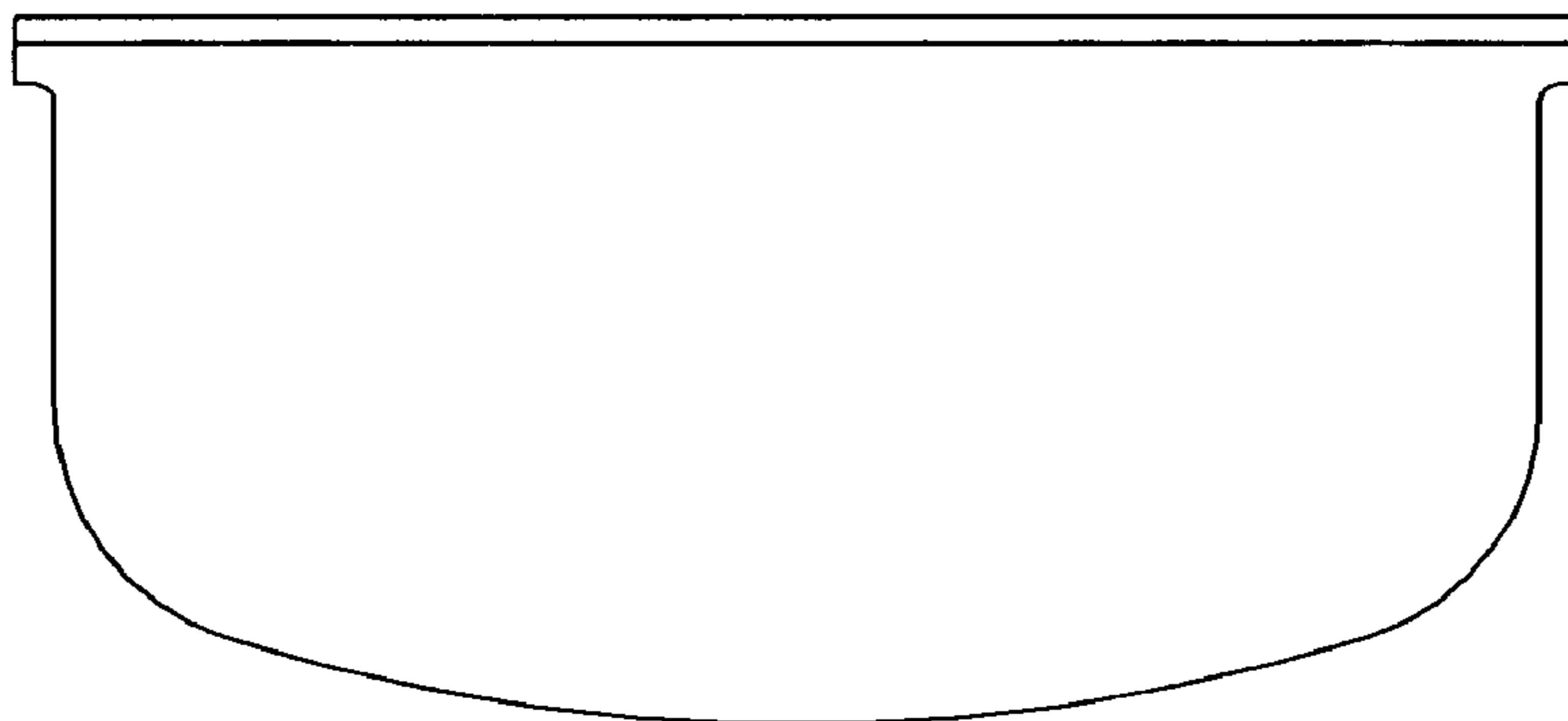


FIG. 8

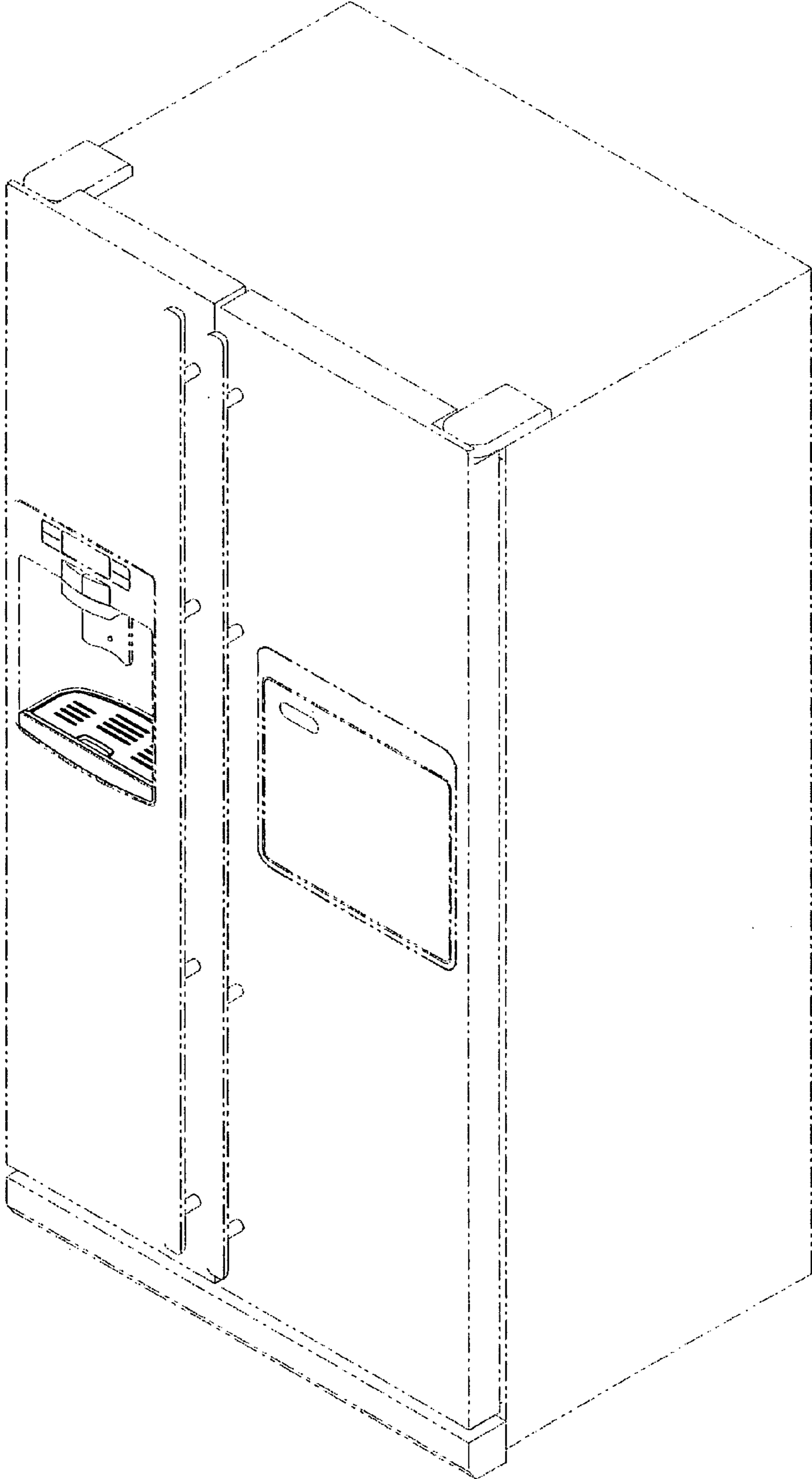


FIG. 9

