



US00D568909S

(12) **United States Design Patent**
Santiago

(10) **Patent No.:** **US D568,909 S**

(45) **Date of Patent:** **** May 13, 2008**

(54) **COMPACT REFRIGERATOR**

(76) **Inventor:** **Aurea Santiago**, 89-29 138th Pl.,
Jamaica, NY (US) 11435

(**) **Term:** **14 Years**

(21) **Appl. No.:** **29/296,871**

(22) **Filed:** **Oct. 30, 2007**

(51) **LOC (8) Cl.** **15-07**

(52) **U.S. Cl.** **D15/81**

(58) **Field of Classification Search** D15/79,
D15/80, 81, 82, 85, 86, 87, 88; D7/306,
D7/313, 605, 607; 62/3.6, 125, 126, 264;
312/116, 138.1, 194, 213, 236, 405, 406;
D6/432, 436, 445, 446; 454/253; 340/309.16,
340/540

See application file for complete search history.

(56) **References Cited**

U.S. PATENT DOCUMENTS

- D253,536 S * 11/1979 Shibata et al. D15/88
- D354,064 S * 1/1995 Sims D15/88
- 5,924,921 A * 7/1999 Yang 454/253
- D422,286 S * 4/2000 Choi et al. D15/81
- D453,169 S * 1/2002 Ma et al. D15/81
- 6,385,991 B1 5/2002 Romanosky
- 6,446,459 B1 9/2002 Sawhney et al.
- D483,776 S * 12/2003 Ma et al. D15/81
- 6,729,144 B1 5/2004 Kupferman

- 6,919,795 B2 * 7/2005 Roseen 340/309.16
- D539,312 S * 3/2007 Kim D15/81
- D540,831 S * 4/2007 Kim et al. D15/81
- D556,792 S * 12/2007 Moran D15/81
- 2004/0222725 A1 * 11/2004 Park et al. 312/405
- 2005/0081547 A1 * 4/2005 Avenwedde et al. 62/264
- 2005/0104484 A1 * 5/2005 Landsberger et al. 312/194

* cited by examiner

Primary Examiner—Stella M. Reid
Assistant Examiner—Shanda C. Hill

(57) **CLAIM**

The ornamental design for a compact refrigerator, as shown and described.

DESCRIPTION

FIG. 1 is a front elevation view of a compact refrigerator showing my new design;

FIG. 2 is a rear elevation view thereof;

FIG. 3 is a right elevation view thereof;

FIG. 4 is a left elevation view thereof;

FIG. 5 is a top plan view thereof;

FIG. 6 is a bottom plan view thereof; and,

FIG. 7 is an isometric view thereof.

Portions of the claimed design are shown separated and bound by a bracket to indicate indeterminate length.

1 Claim, 4 Drawing Sheets

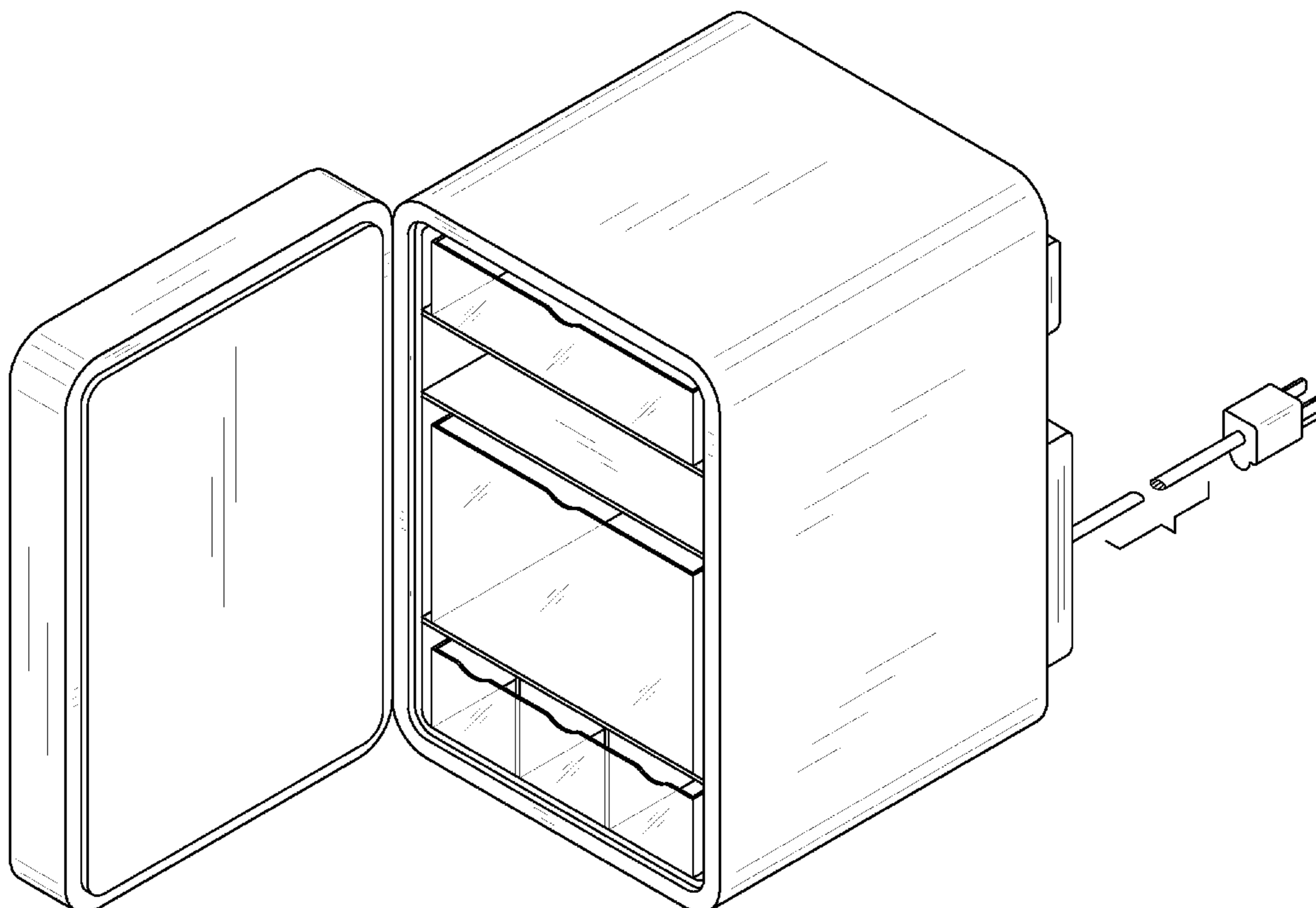




FIG. 1



FIG. 2

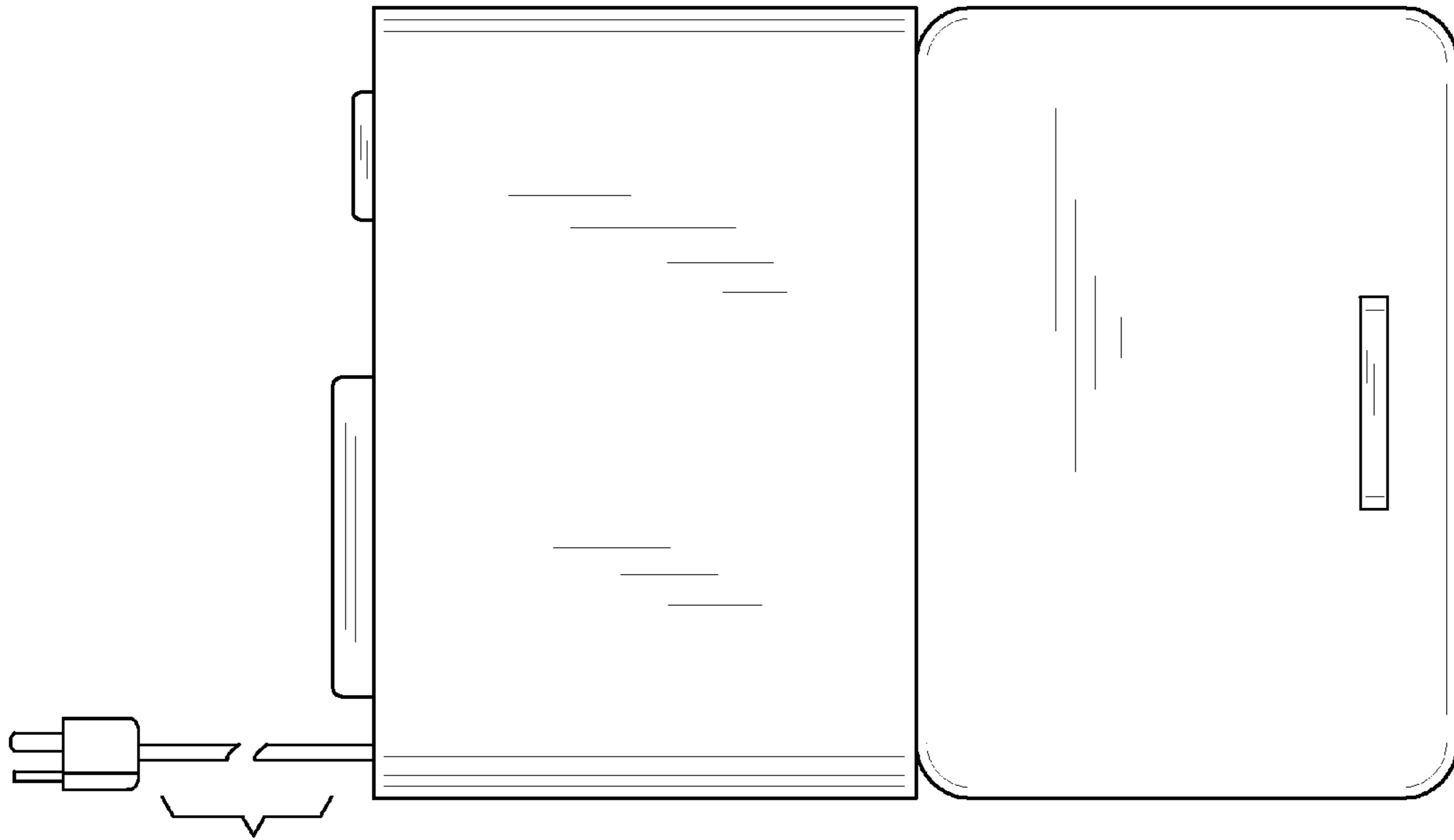


FIG. 3

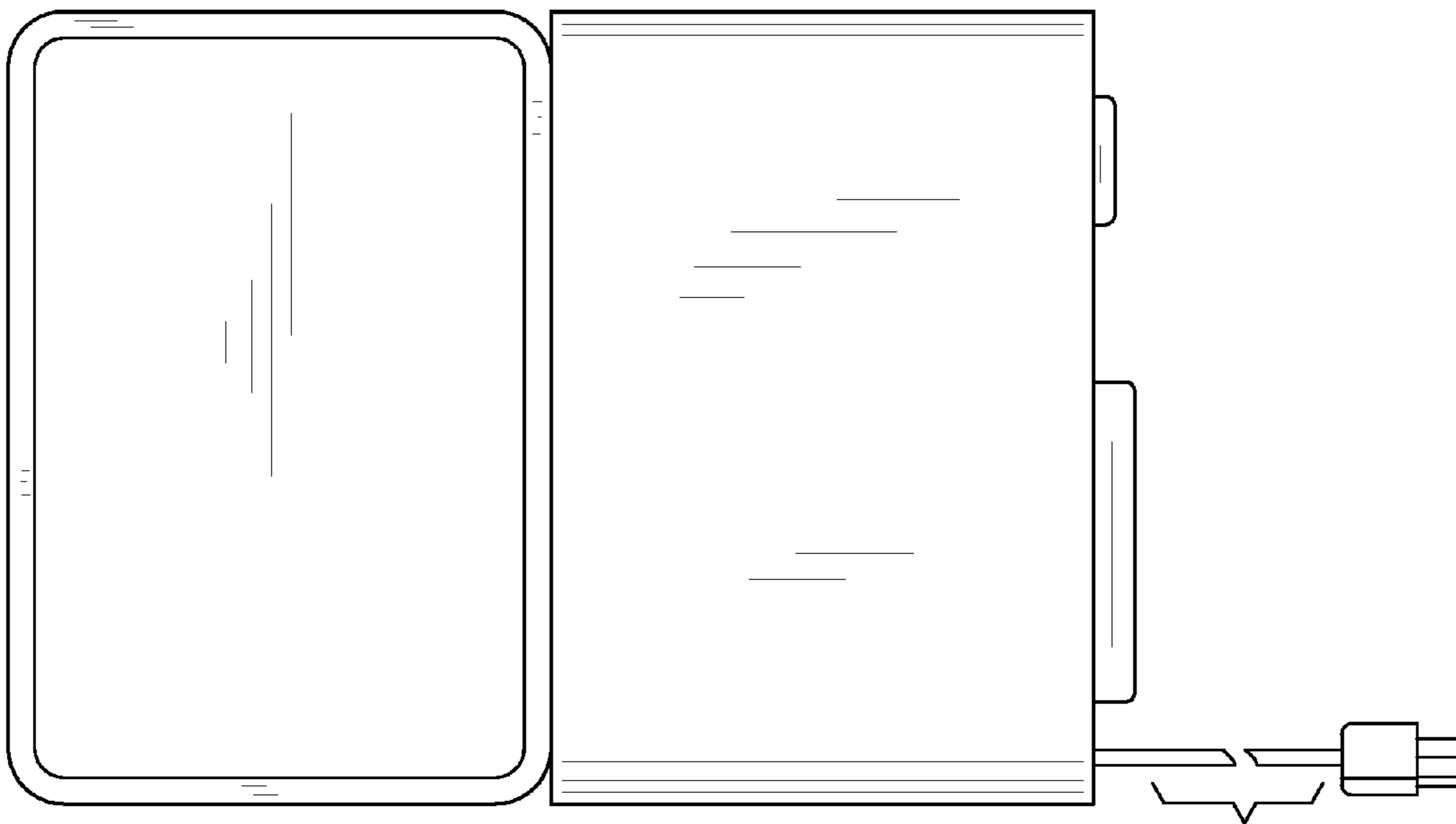


FIG. 4

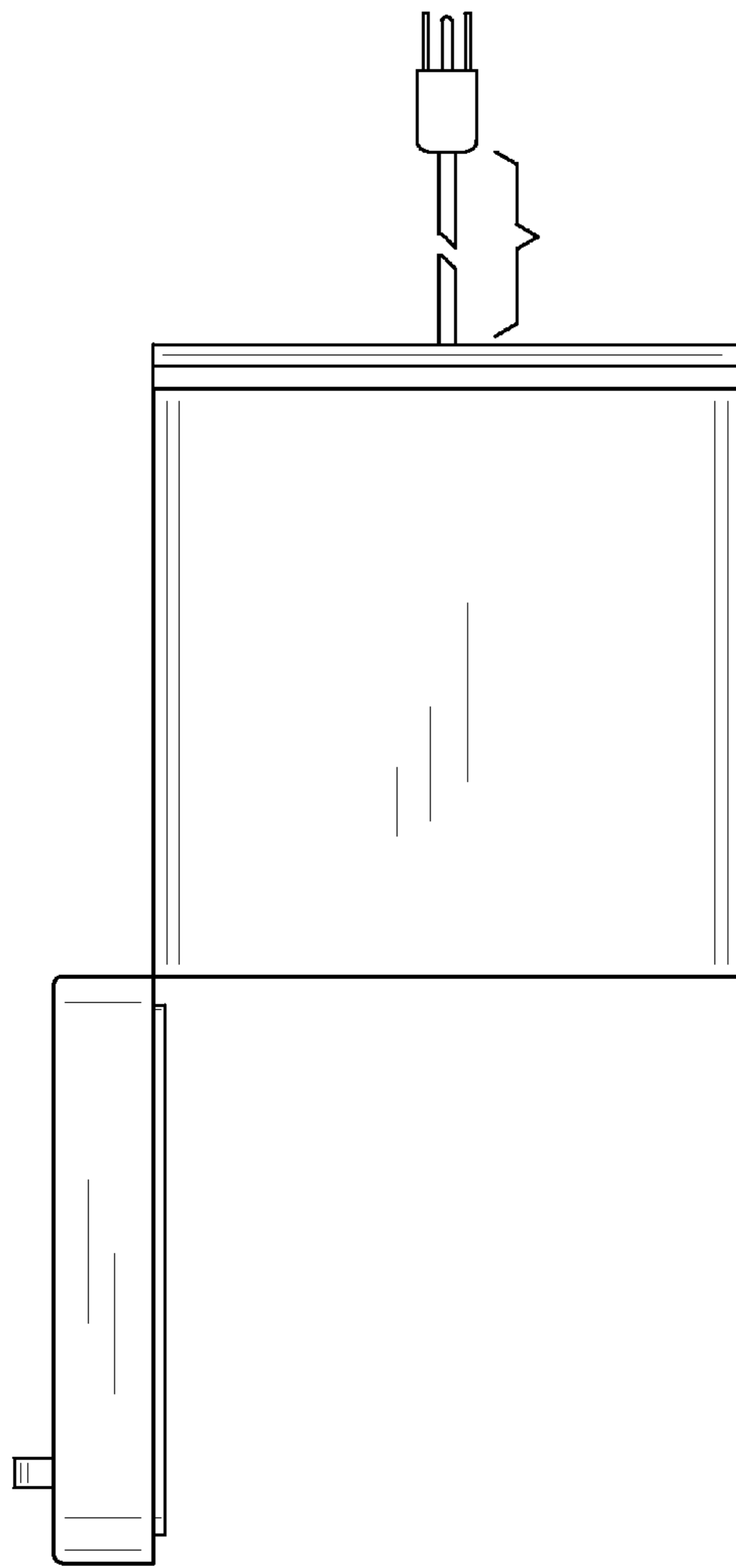


FIG. 5

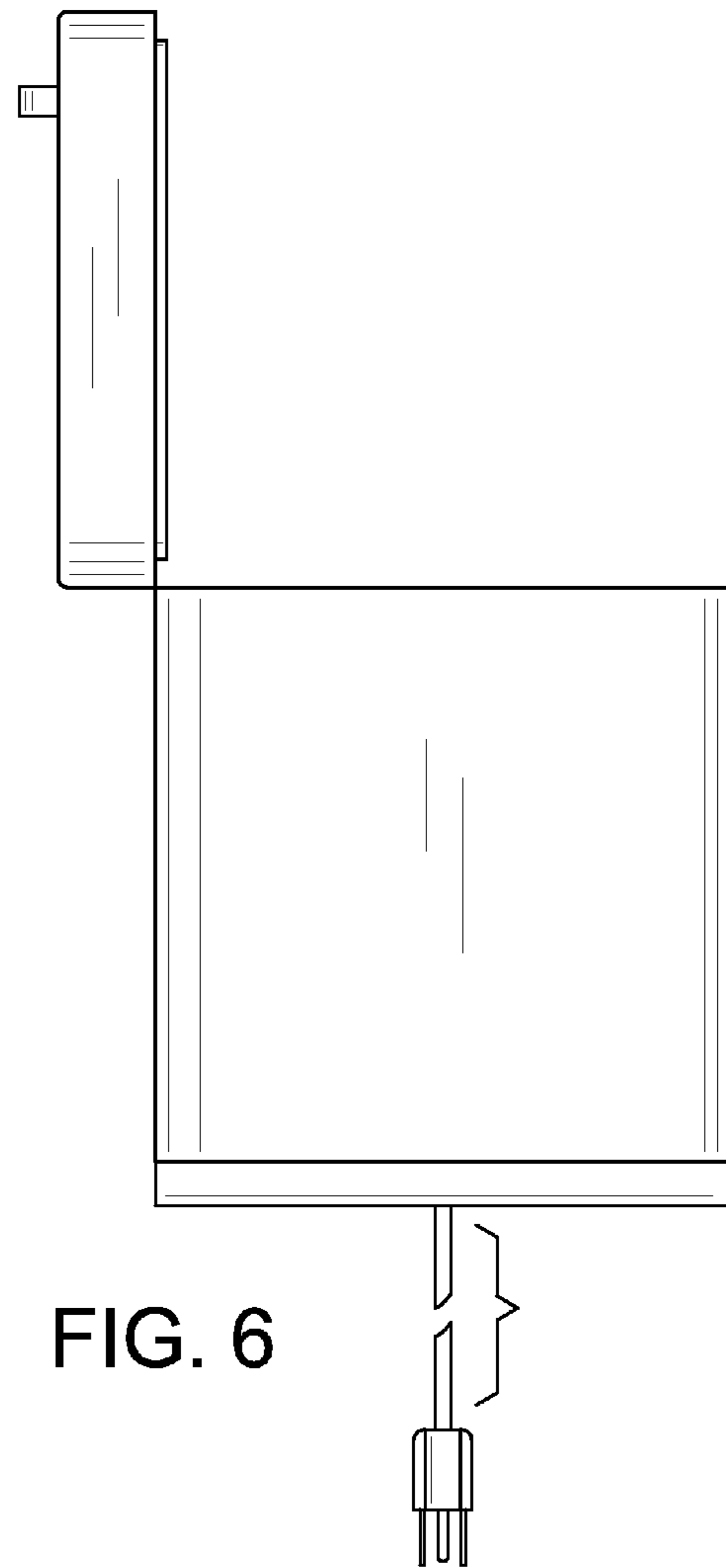


FIG. 6

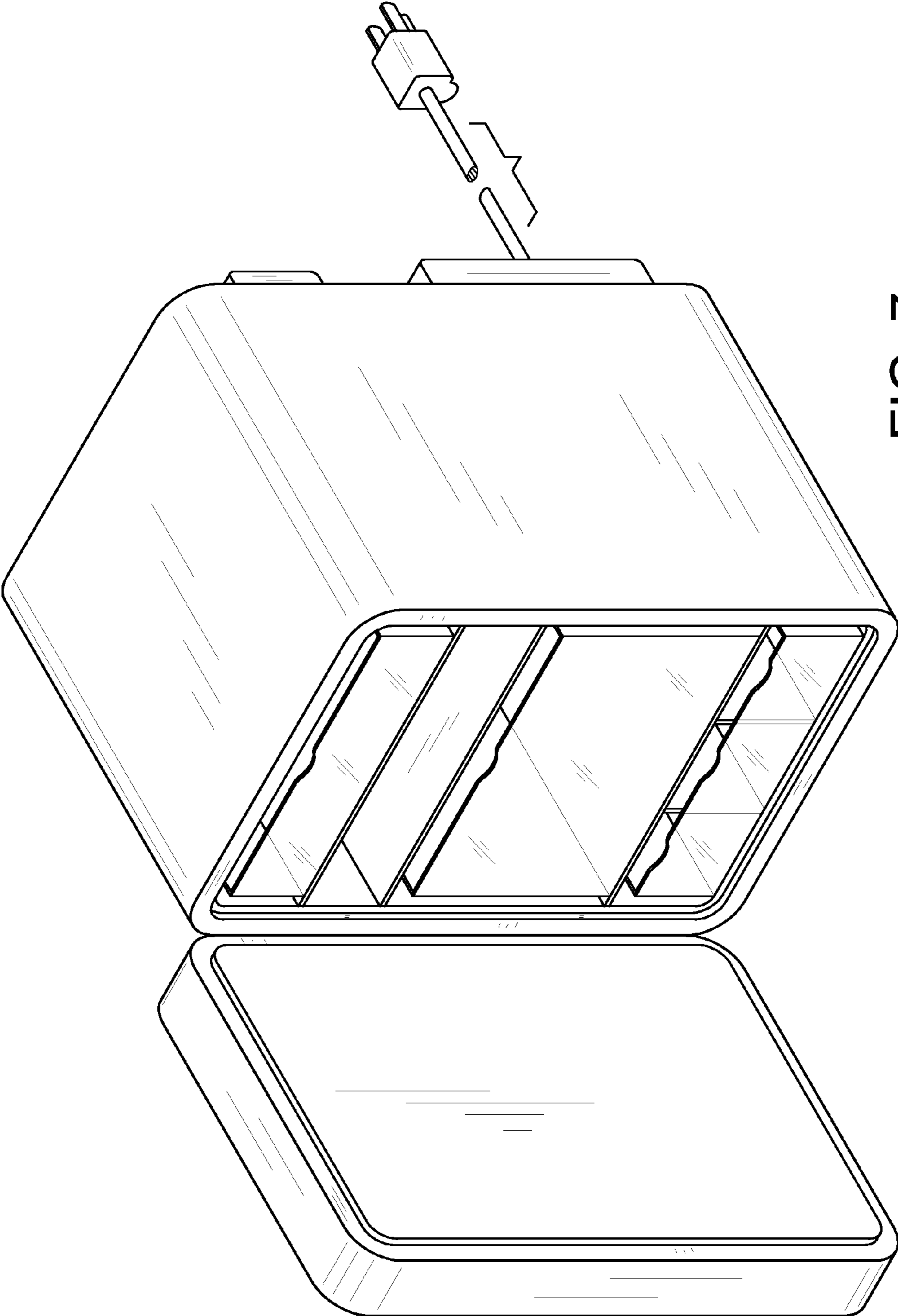


FIG. 7