



US00D568906S

(12) **United States Design Patent**  
**Merghani et al.**

(10) **Patent No.: US D568,906 S**

(45) **Date of Patent: \*\* \*May 13, 2008**

(54) **PORTION OF A MOTOR GRADER**

(75) Inventors: **Mazin M. Merghani**, Decatur, IL (US);  
**Chad Stollenwerk**, Decatur, IL (US);  
**Sarath B. Chirumamila**, Decatur, IL  
(US); **Jeffrey A. Brush**, Dunlap, IL  
(US); **Craig B. Kelley**, Dunlap, IL  
(US); **Michael T. Balthes**, Mt. Pleasant,  
SC (US); **Ashley D. Menges**, Peoria, IL  
(US); **Aaron Stritesky**, Otsego, MN  
(US); **Ryan Rouderbush**, Byron, MN  
(US)

(73) Assignee: **Caterpillar Inc.**, Peoria, IL (US)

(\*) Notice: This patent is subject to a terminal disclaimer.

(\*\*) Term: **14 Years**

(21) Appl. No.: **29/259,030**

(22) Filed: **May 2, 2006**

(51) **LOC (8) Cl.** ..... **12-09**

(52) **U.S. Cl.** ..... **D15/23**

(58) **Field of Classification Search** ..... D15/10-12,  
D15/19, 21-23, 28, 30-33; 180/238, 264,  
180/267, 420; 172/781-785, 1, 788, 776,  
172/790, 430, 611, 792; D21/537

See application file for complete search history.

(56) **References Cited**

U.S. PATENT DOCUMENTS

2,081,536	A *	5/1937	Gustafson	172/793
2,965,990	A *	12/1960	Colee	172/4.5
3,049,819	A *	8/1962	Cohron et al.	37/430
3,197,188	A *	7/1965	Moore	267/175
3,327,413	A *	6/1967	Brinkmeyer et al.	172/785
3,450,213	A *	6/1969	Hanser et al.	172/785
3,454,109	A *	7/1969	Roberts	172/781
3,527,315	A *	9/1970	Hampton	180/238

3,831,693	A *	8/1974	King	180/14.4
3,858,661	A *	1/1975	Hallam et al.	172/1
D238,955	S *	2/1976	Peterson	D21/537
3,976,146	A *	8/1976	Desourdy	172/788
4,213,507	A *	7/1980	Horrer et al.	172/784
D275,107	S *	8/1984	Crabiel et al.	D15/25
5,474,147	A *	12/1995	Yesel et al.	180/197
6,230,818	B1 *	5/2001	Slunder	172/789
6,854,523	B2 *	2/2005	Takahashi	172/3
2002/0060081	A1 *	5/2002	McGugan	172/4.5
2003/0221845	A1 *	12/2003	Takahashi	172/3
2004/0149463	A1 *	8/2004	Maeda et al.	172/297
2005/0252669	A1 *	11/2005	LaReau et al.	172/776

\* cited by examiner

*Primary Examiner*—Stella M. Reid  
*Assistant Examiner*—Mark Goodwin

(74) *Attorney, Agent, or Firm*—Finnegan, Henderson,  
Farabow, Garrett & Dunner

(57) **CLAIM**

The ornamental design for a portion of a motor grader, as shown and described.

**DESCRIPTION**

The patent or application file contains at least one drawing executed in color. Copies of this patent or patent application publication with color drawings will be provided by the Office upon request and payment of the necessary fee.

FIG. 1 is a top left rear perspective view of a portion of a motor grader showing our new design;

FIG. 2 is a top view thereof;

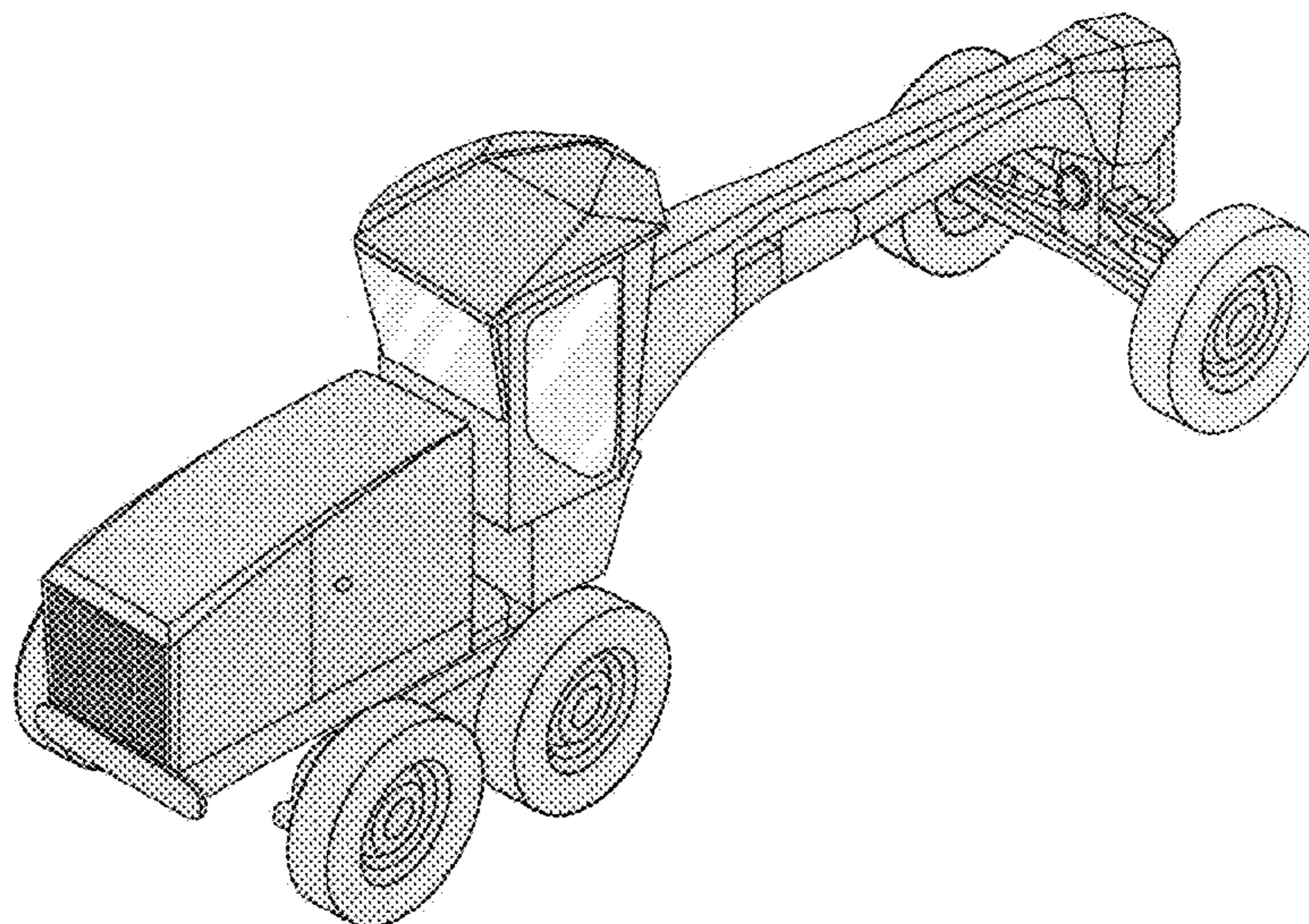
FIG. 3 is a right side view thereof;

FIG. 4 is a left side view thereof;

FIG. 5 is a front view thereof; and,

FIG. 6 is a rear view thereof.

**1 Claim, 4 Drawing Sheets**  
**(4 of 4 Drawing Sheet(s) Filed in Color)**



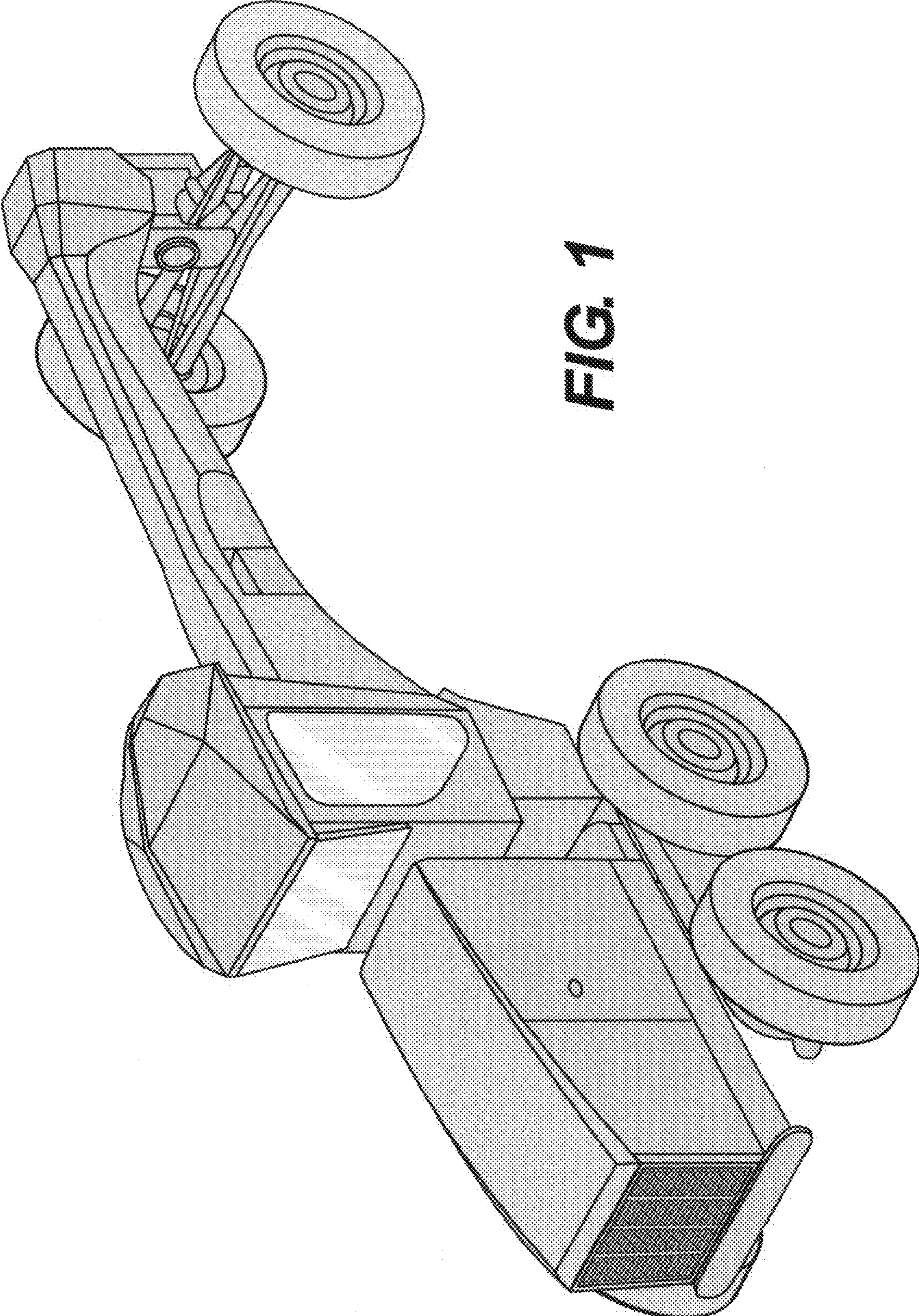
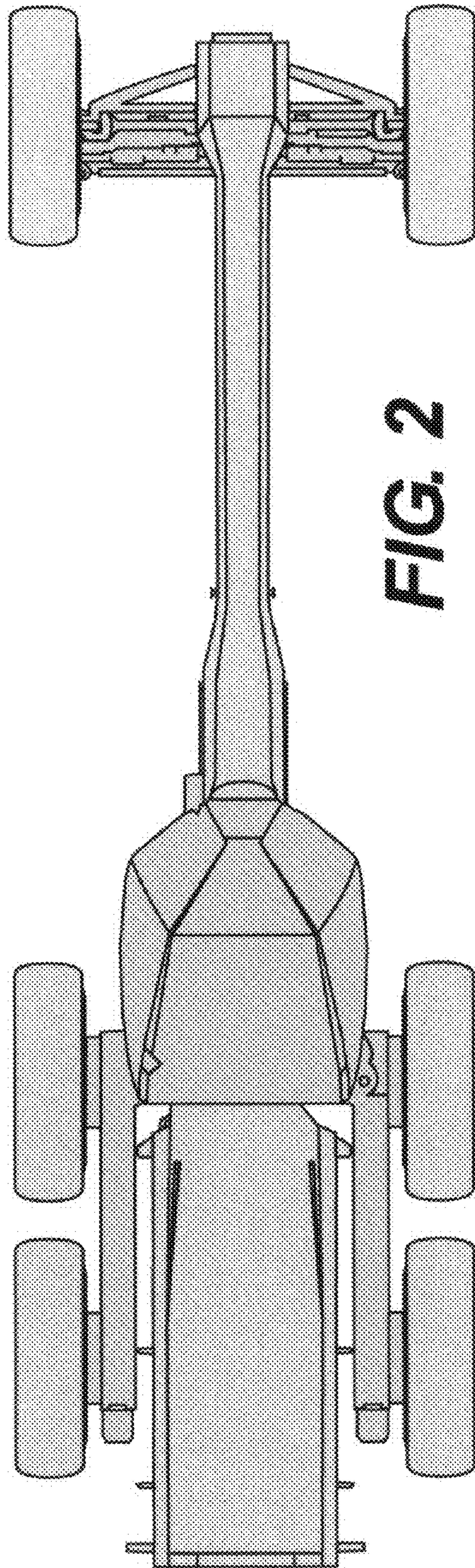
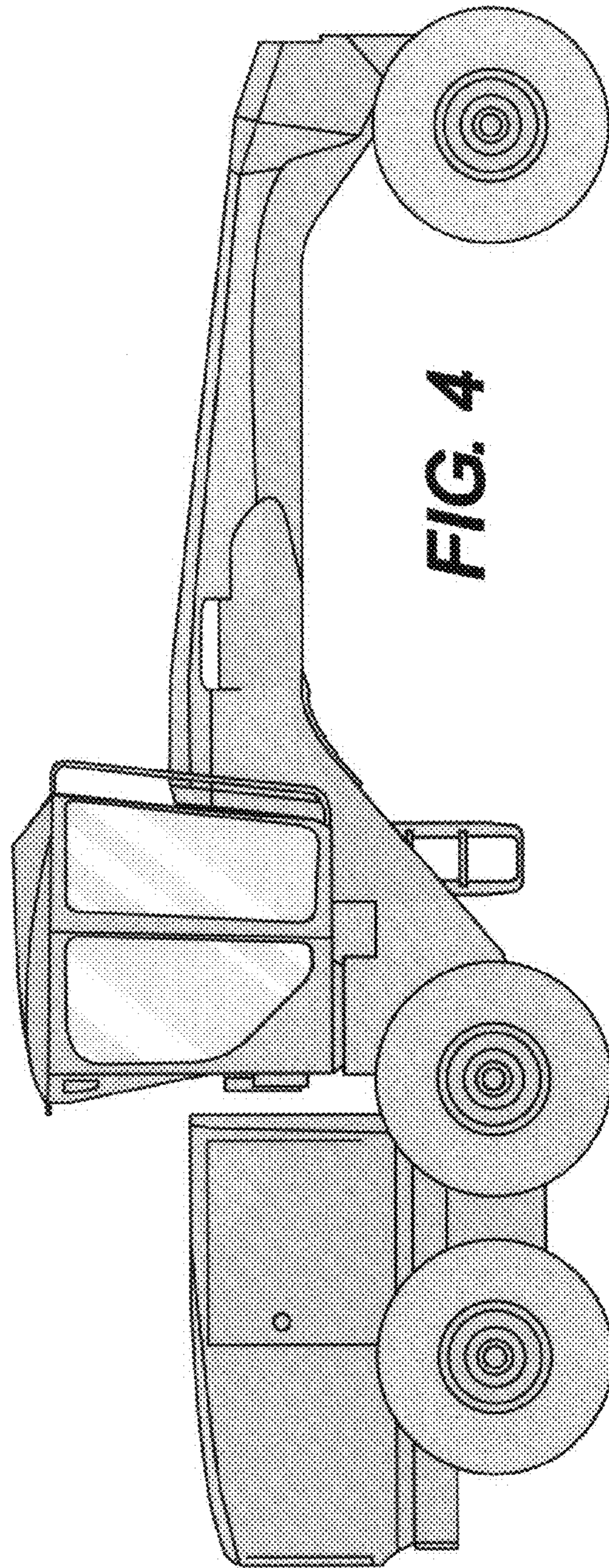
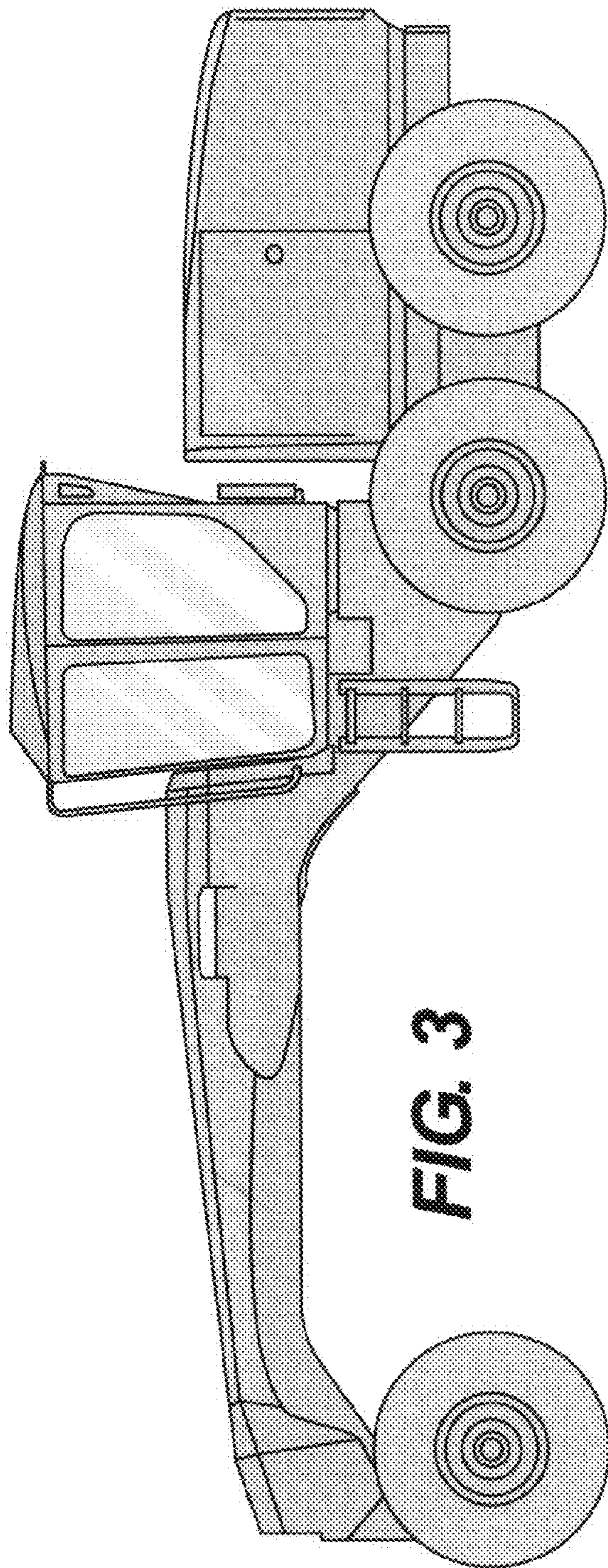
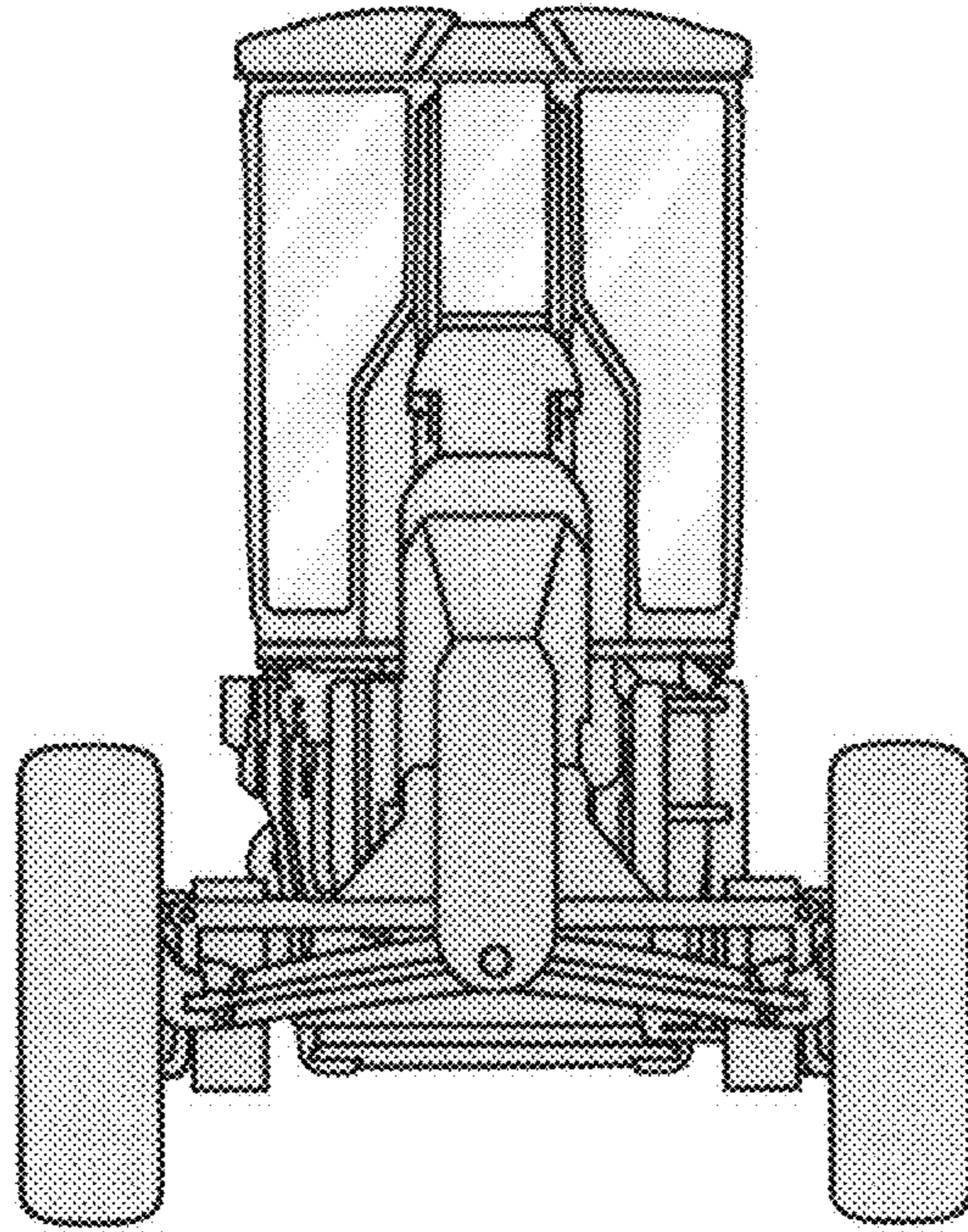


FIG. 1

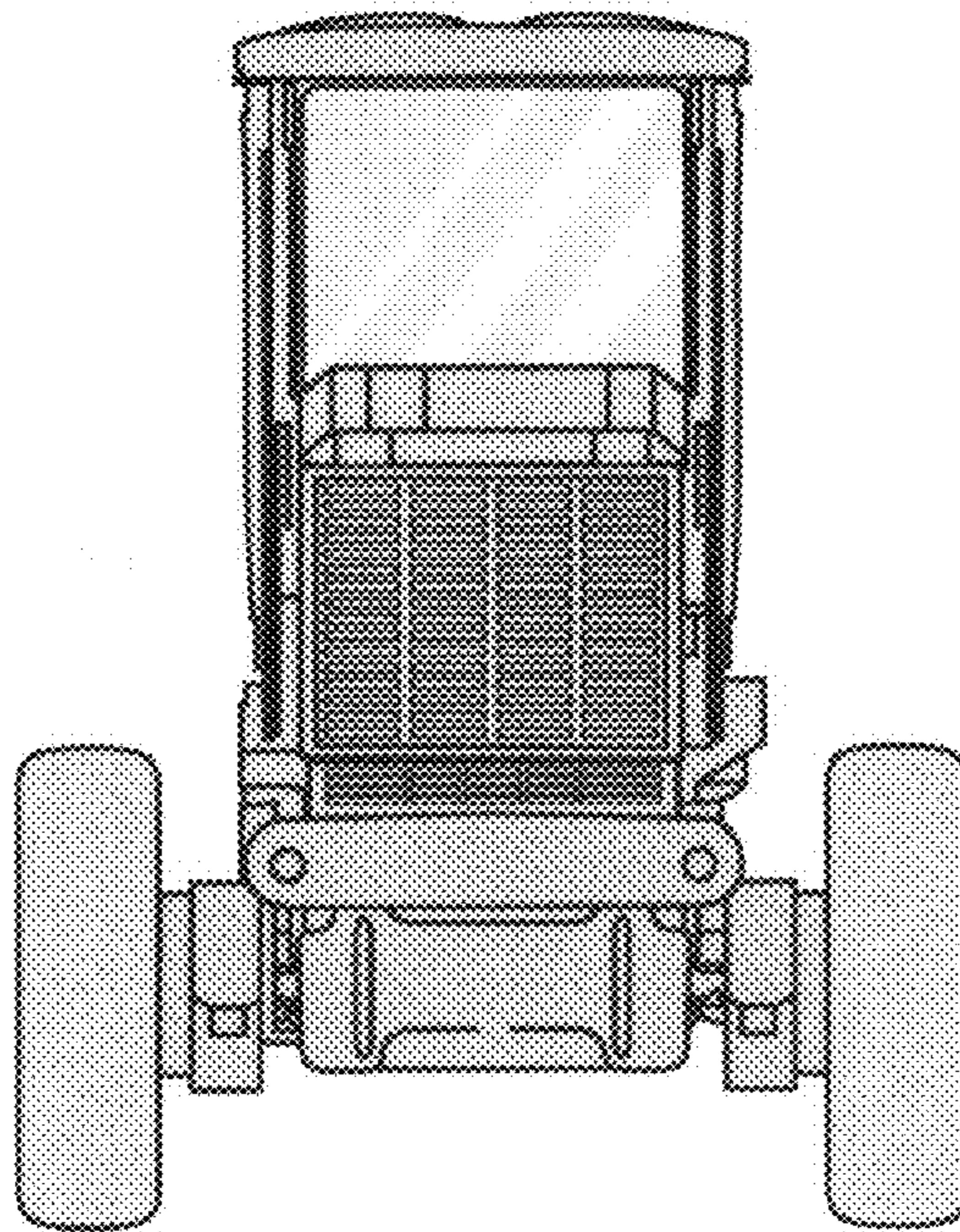


**FIG. 2**





**FIG. 5**



**FIG. 6**