

US00D568905S

(12) **United States Design Patent**
Heusinger et al.

(10) **Patent No.:** **US D568,905 S**

(45) **Date of Patent:** **** May 13, 2008**

(54) **ROAD CONSTRUCTION MACHINE**

(75) Inventors: **Jürgen Heusinger**, Koblenz (DE);
Roland Loew, Klein-Winternheim
(DE); **Udo Lohse**, Stassenhaus (DE);
Helmut Röttsch, Beltheim (DE)

(73) Assignee: **BOMAG GmbH**, Boppard (DE)

(**) Term: **14 Years**

(21) Appl. No.: **29/267,331**

(22) Filed: **Oct. 12, 2006**

(30) **Foreign Application Priority Data**

Apr. 13, 2006 (EM) 000512884

(51) **LOC (8) Cl.** **15-03**

(52) **U.S. Cl.** **D15/22; D15/23**

(58) **Field of Classification Search** D15/10,
D15/21-26, 13; 299/36.1, 39.6, 29, 1.5,
299/18, 39.4; 172/435, 703, 784, 112, 123,
172/125; 173/24; 404/90-92, 84.1, 122,
404/112

See application file for complete search history.

(56) **References Cited**

U.S. PATENT DOCUMENTS

- 2,686,982 A * 8/1954 Leliter 172/784
- 2,779,258 A * 1/1957 Johnson 404/105
- 2,984,026 A * 5/1961 Thompson et al. 37/426
- 3,136,078 A * 6/1964 Renault 172/547
- 3,217,433 A * 11/1965 Norris 37/404
- D220,038 S * 3/1971 Swisher et al. D15/22
- 3,829,161 A * 8/1974 Wirtgen 299/39.6
- D235,113 S * 5/1975 Hendrickson et al. D15/25
- 3,888,542 A * 6/1975 Gowler 299/1.5
- D247,037 S * 1/1978 Smith, Jr. D15/23
- D256,466 S * 8/1980 Smith et al. D15/22
- D258,887 S * 4/1981 Swisher et al. D15/24

- 4,270,801 A * 6/1981 Swisher et al. 299/1.5
- D266,850 S * 11/1982 Godbersen D15/22
- D275,107 S * 8/1984 Crabiel et al. D15/25
- D286,158 S * 10/1986 Baldwin et al. D15/23
- 4,643,261 A * 2/1987 Long 172/2
- D346,388 S * 4/1994 Silbernagel D15/22
- 5,354,147 A * 10/1994 Swisher, Jr. 299/39.6
- D362,449 S * 9/1995 Swisher, Jr. D15/22
- 5,893,677 A * 4/1999 Haehn et al. 404/90
- 6,368,014 B1 * 4/2002 Culver et al. 404/90
- 6,394,696 B1 * 5/2002 Culver 404/75
- 6,565,281 B2 * 5/2003 Bruns et al. 404/90
- 2004/0021364 A1 * 2/2004 Busley et al. 299/39.4
- 2005/0207841 A1 * 9/2005 Holl et al. 404/94

* cited by examiner

Primary Examiner—Stella M. Reid

Assistant Examiner—Mark Goodwin

(74) *Attorney, Agent, or Firm*—Baker & Hostetler LLP

(57) **CLAIM**

The ornamental design for a road construction machine, as shown and described.

DESCRIPTION

FIG. 1 is a right side view of a road construction machine showing our new design;

FIG. 2 is a top view thereof;

FIG. 3 is a bottom view thereof;

FIG. 4 is an enlarged front view thereof;

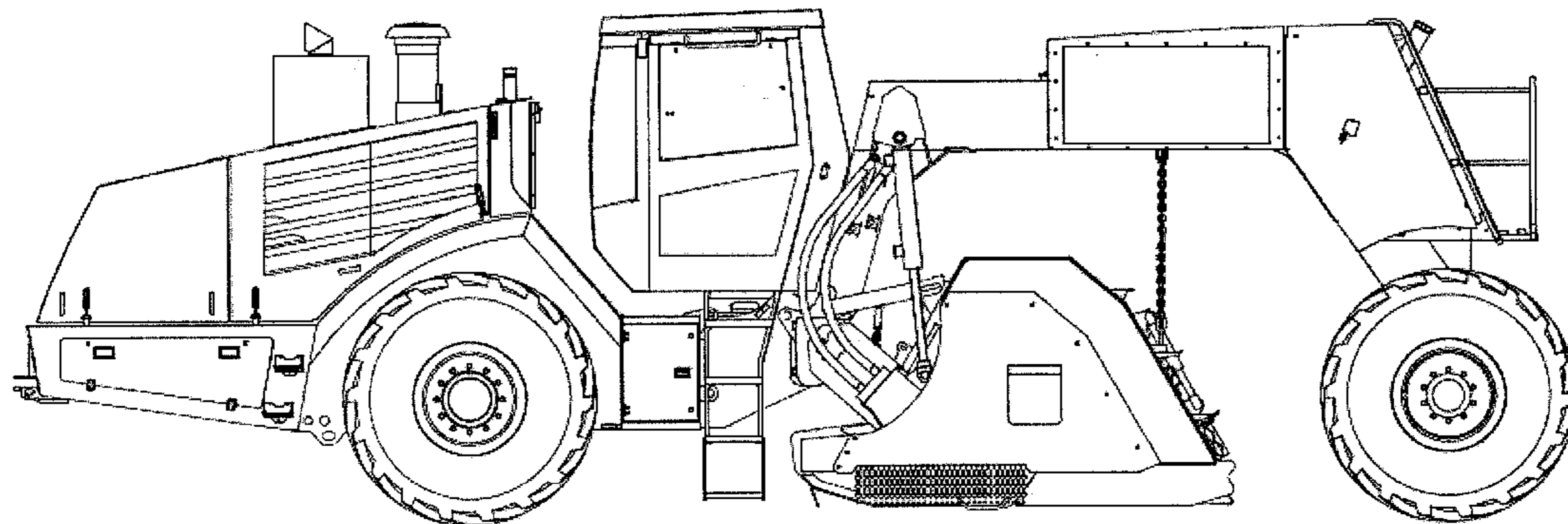
FIG. 5 is an enlarged rear view thereof;

FIG. 6 is a top, right, rear perspective view thereof; and,

FIG. 7 is a top, left, front perspective view thereof.

The broken line showing of the chain link guards and vent covering is included for the purpose of illustrating portions of the road construction machine and forms no part of the claimed design.

1 Claim, 7 Drawing Sheets



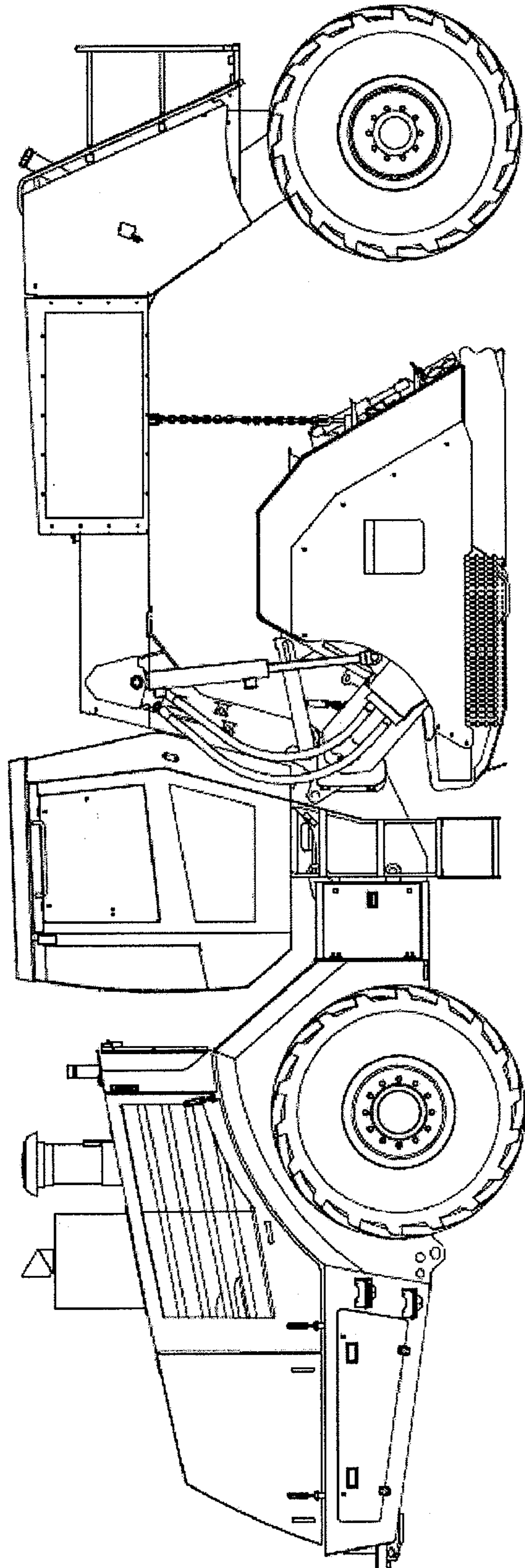


FIG. 1

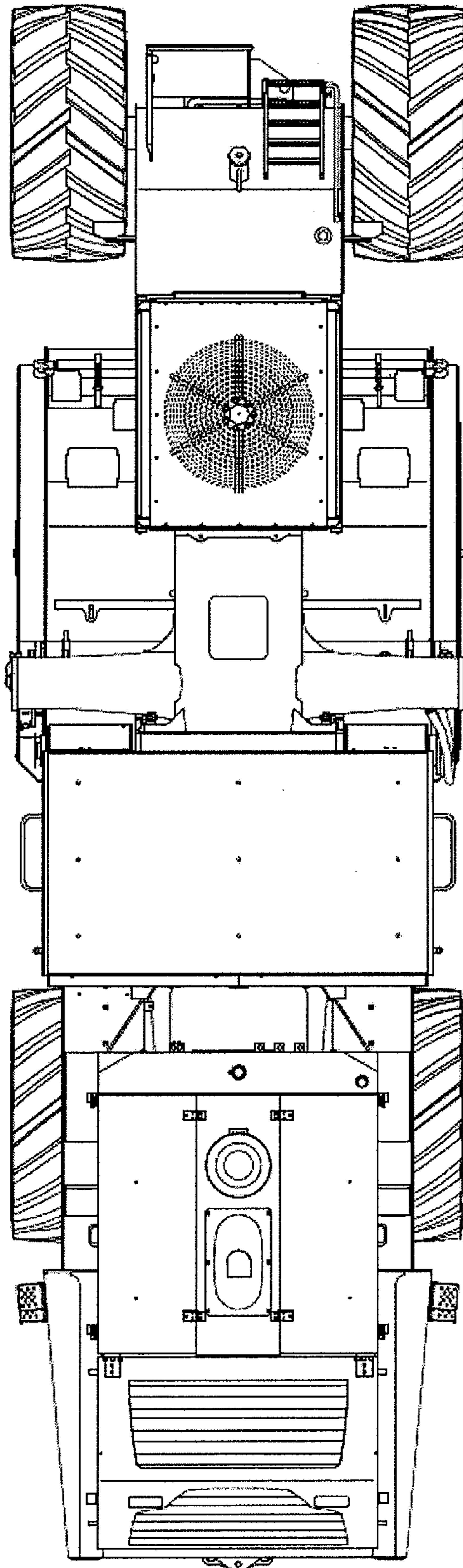


FIG. 2

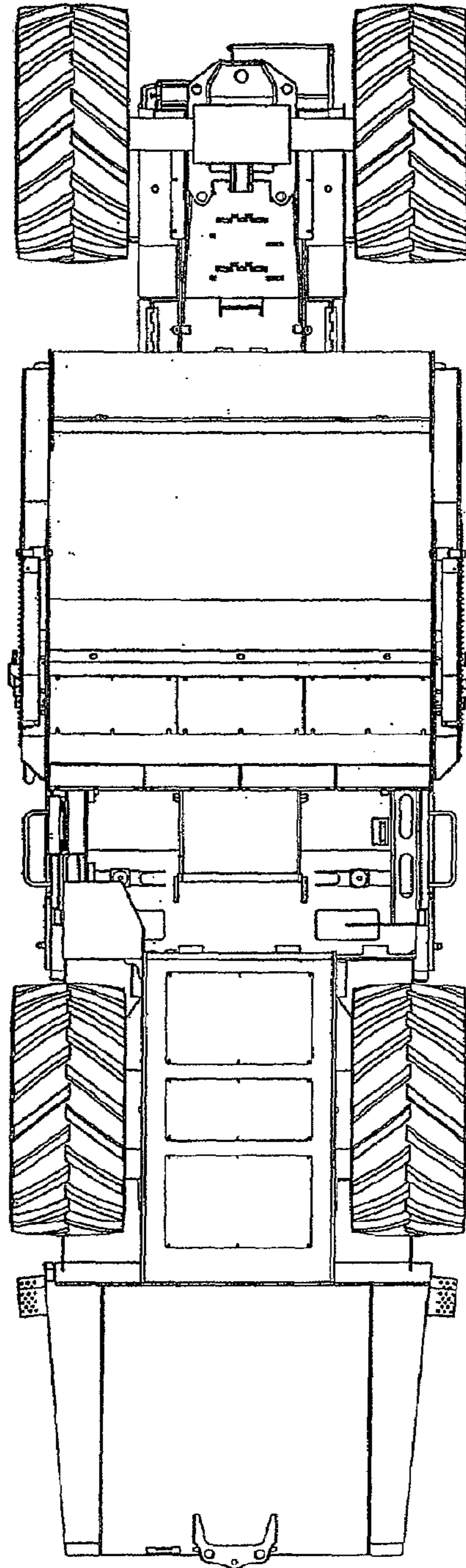


FIG. 3

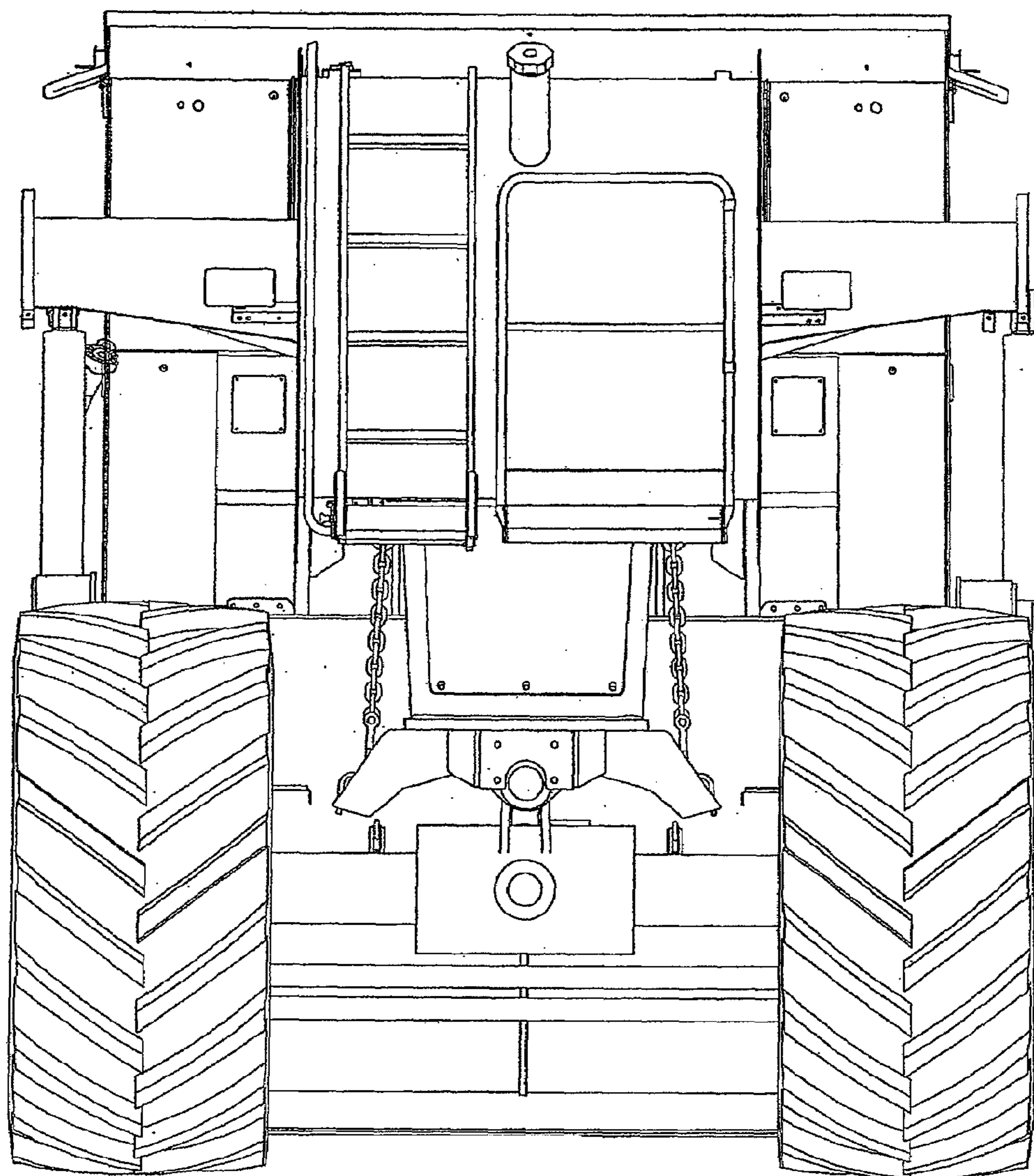


FIG. 4

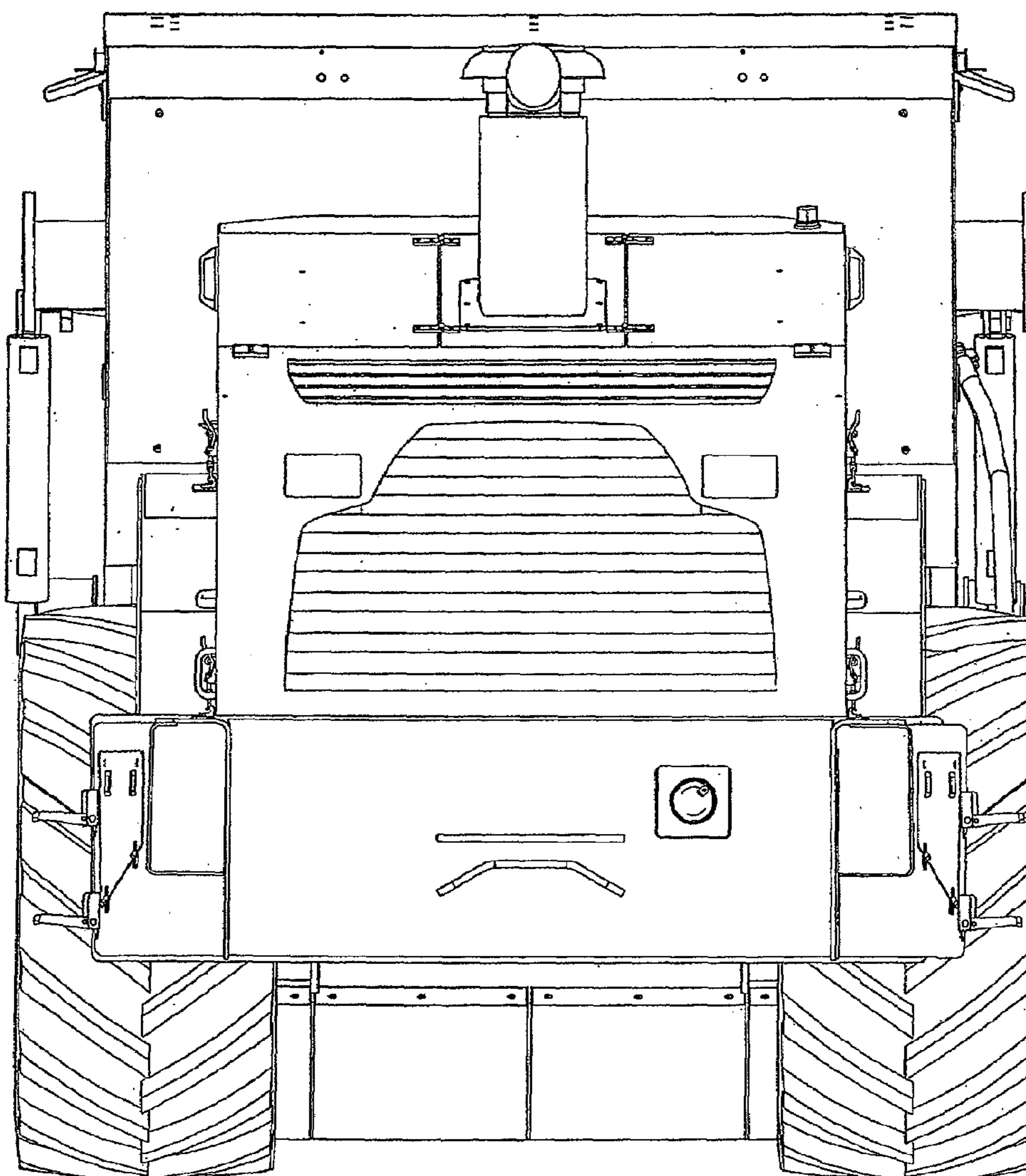


FIG. 5

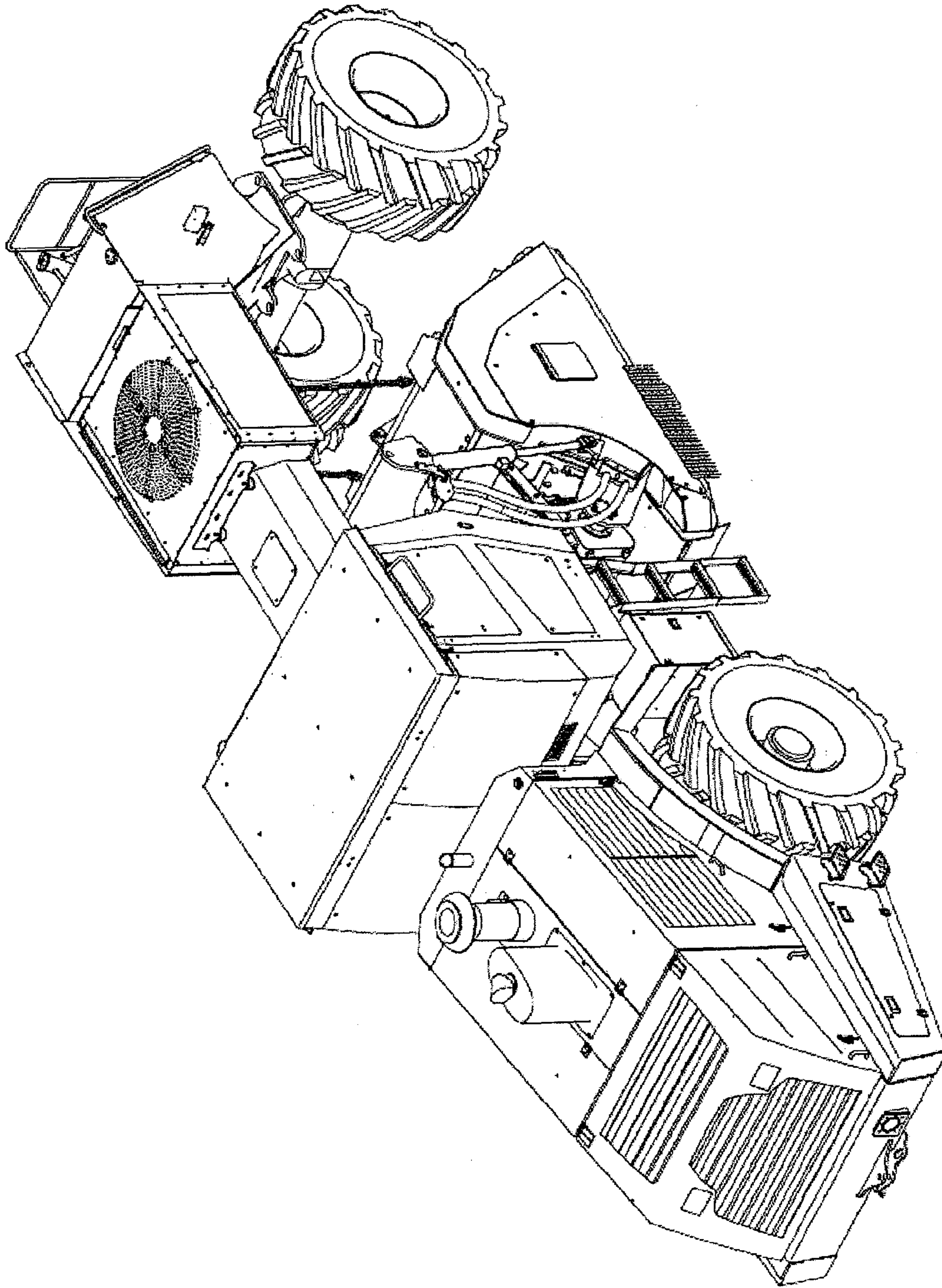


FIG. 6

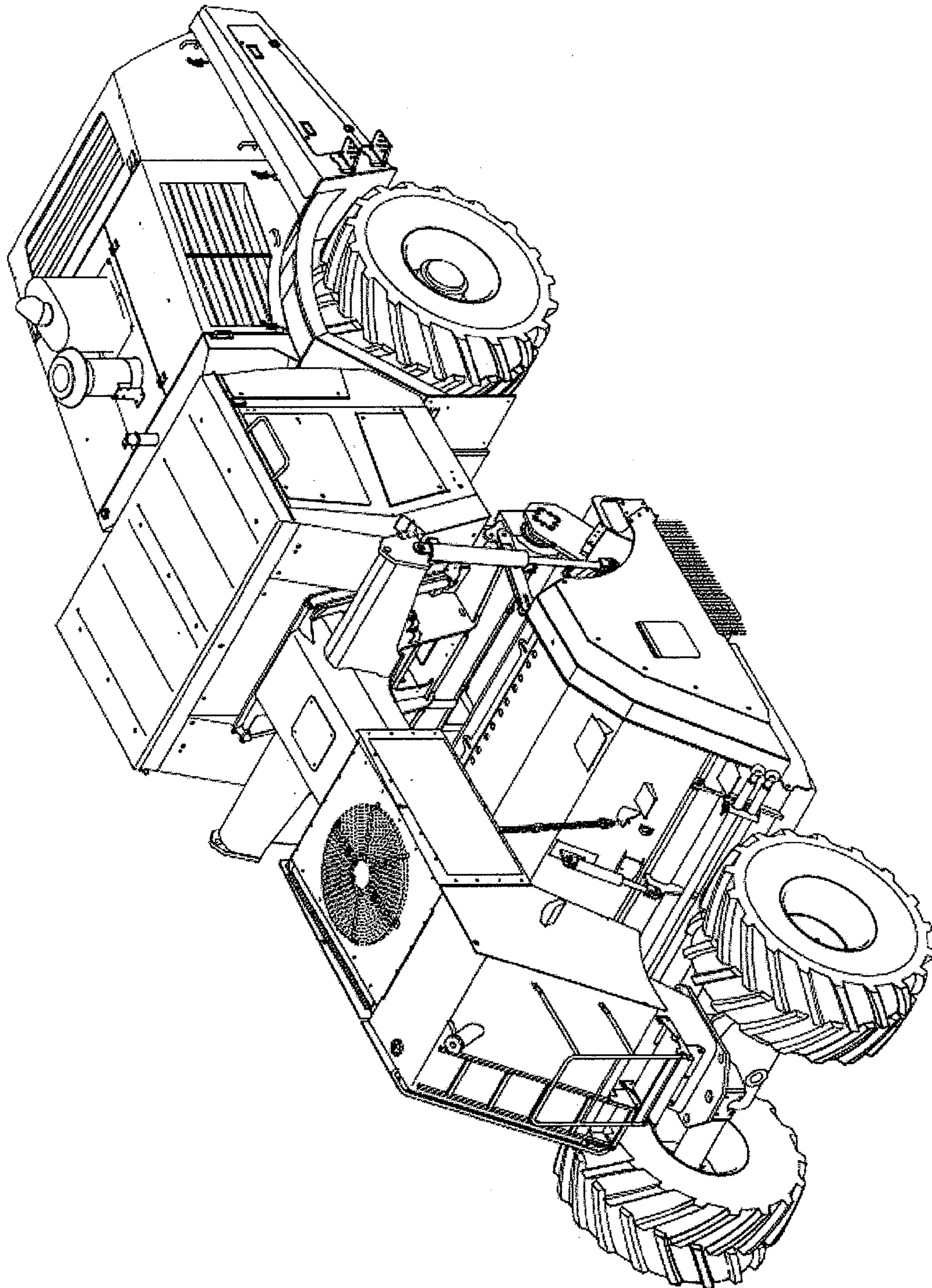


FIG. 7