



US00D568890S

(12) **United States Design Patent**  
**Sculler et al.**

(10) **Patent No.:** **US D568,890 S**  
(45) **Date of Patent:** **\*\* May 13, 2008**

(54) **FLAT PANEL DISPLAY MOUNT**

(75) Inventors: **Steven J. Sculler**, Morganville, NJ (US); **Michael P. Zambelli**, Basking Ridge, NJ (US); **In-Young Jang**, Ridgefield, NJ (US); **Jimmy An**, South Plainfield, NJ (US)

(73) Assignee: **Bell'O International Corp.**, Morganville, NJ (US)

(\*\*) Term: **14 Years**

(21) Appl. No.: **29/286,784**

(22) Filed: **May 17, 2007**

**Related U.S. Application Data**

(63) Continuation of application No. 29/270,801, filed on Jan. 3, 2007.

(51) **LOC (8) Cl.** ..... **14-03**

(52) **U.S. Cl.** ..... **D14/451**

(58) **Field of Classification Search** ..... D14/451, D14/452, 129, 209, 217, 224, 237, 238, 239, D14/432, 439, 447, 448; D8/349, 354, 355, D8/363, 373, 380; 248/176.1, 201, 205.1, 248/220.21, 223.31, 231.9, 274.1, 276.1, 248/281.11, 284.1, 286.1, 309.1, 316.1, 323, 248/324, 349.1, 371, 398, 425, 917, 918, 248/919, 920, 921, 922, 923, 924, 121, 124.1, 248/127, 291.1, 313; 348/825, 827

See application file for complete search history.

(56) **References Cited**

**U.S. PATENT DOCUMENTS**

4,814,759 A	3/1989	Gombrich et al.
5,321,579 A	6/1994	Brown et al.
5,743,503 A	4/1998	Voeller et al.
5,842,672 A	12/1998	Sweere et al.
5,924,665 A	7/1999	Sweere et al.
5,992,809 A	11/1999	Sweere et al.
6,019,332 A	2/2000	Sweere et al.
6,102,348 A	8/2000	O'Neill

6,367,756 B1	4/2002	Wang et al.
6,402,109 B1	6/2002	Dittmer
6,419,196 B1	7/2002	Sweere et al.
6,543,734 B2	4/2003	Yeh et al.
6,554,242 B2	4/2003	Kim et al.
6,559,829 B1	5/2003	Matsuo et al.
6,575,419 B1	6/2003	Masuda et al.
6,585,203 B1	7/2003	Euker
6,604,722 B1	8/2003	Tan et al.
D489,599 S *	5/2004	Lam ..... D8/363
6,752,363 B2	6/2004	Boele et al.
D493,800 S	8/2004	Pfister et al.
D494,596 S	8/2004	Pfister
D494,978 S	8/2004	Pfister
6,783,105 B2	8/2004	Oddsens, Jr.
D495,713 S	9/2004	Pfister et al.
6,886,701 B2	5/2005	Hong et al.
D505,858 S *	6/2005	O'Keene ..... D8/355
6,905,101 B1	6/2005	Dittmer
6,915,996 B2	7/2005	Lin et al.
6,923,413 B2	8/2005	Dozier
6,964,399 B1	11/2005	O'Neill

(Continued)

*Primary Examiner*—Cathron Brooks

*Assistant Examiner*—Angela J Lee

(74) *Attorney, Agent, or Firm*—Lerner, David, Littenberg, Krumholz & Mentlik, LLP

(57) **CLAIM**

The ornamental design for a flat panel display mount, as shown and described.

**DESCRIPTION**

FIG. 1 is a front perspective view of the flat panel display mount;

FIG. 2 is a front elevational view thereof;

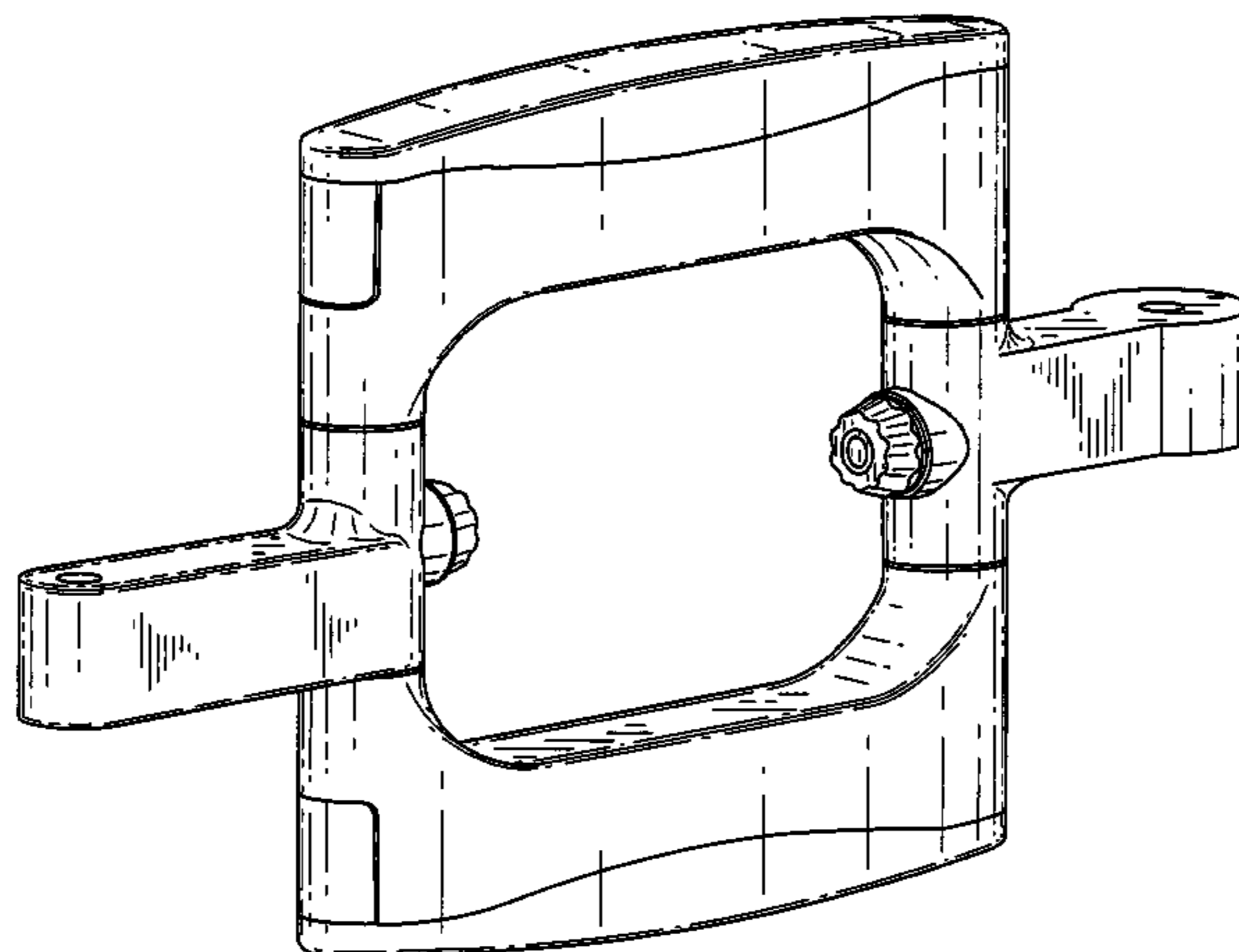
FIG. 3 is a rear elevational view thereof;

FIG. 4 is a left side view thereof (the right side view is a mirror image of the left side view);

FIG. 5 is a top plan view thereof; and,

FIG. 6 is a bottom plan view thereof.

**1 Claim, 6 Drawing Sheets**



# US D568,890 S

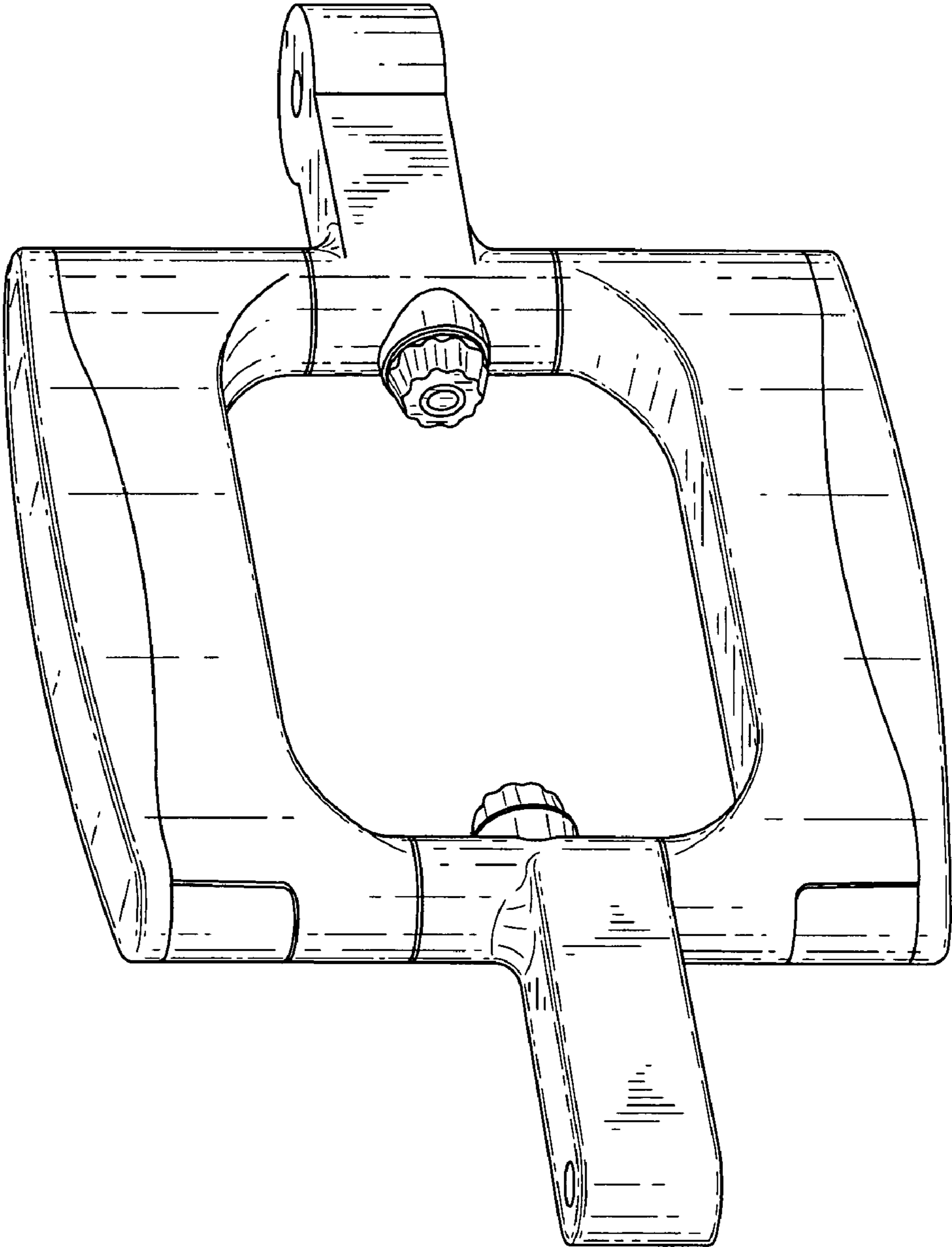
Page 2

## U.S. PATENT DOCUMENTS

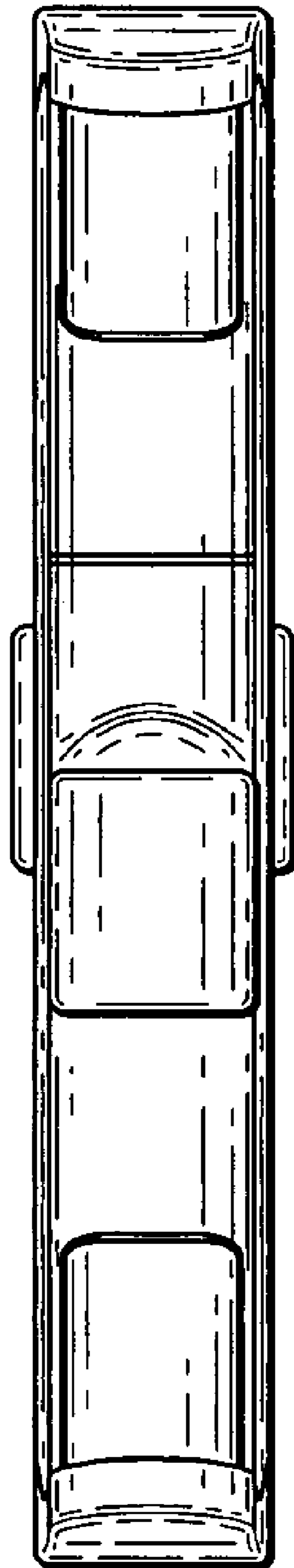
7,000,878	B2	2/2006	Lin et al.	2004/0245420	A1	12/2004	Pfister et al.
D517,085	S	3/2006	Deuschle	2004/0251388	A1	12/2004	Williams
D543,210	S	* 5/2007	Stenhouse et al. .... D14/452	2004/0262474	A1	12/2004	Boks et al.
D543,211	S	* 5/2007	Petrick et al. .... D14/452	2005/0061937	A1	3/2005	Kim
D552,974	S	* 10/2007	Petrick et al. .... D8/363	2005/0092873	A1	5/2005	Lin
D558,561	S	* 1/2008	Ciungan ..... D8/363	2005/0092890	A1	5/2005	Liao
D558,562	S	* 1/2008	Ciungan et al. .... D8/363	2005/0121577	A1	6/2005	Odds et al.
D558,563	S	* 1/2008	Ciungan ..... D8/363	2005/0127261	A1	6/2005	Lin
2002/0033436	A1	3/2002	Peng et al.	2005/0133678	A1	6/2005	Dittmer
2002/0179791	A1	12/2002	Kwon	2005/0152102	A1	7/2005	Shin
2002/0179801	A1	12/2002	Kim	2005/0236542	A1	10/2005	O'Neill
2003/0132356	A1	7/2003	Copeland	2005/0236543	A1	10/2005	O'Neil
2003/0136888	A1	7/2003	Boele	2005/0242254	A1	11/2005	Dozier
2003/0154673	A1	8/2003	MacGregor et al.	2005/0253035	A1	11/2005	Dozier
2003/0201372	A1	10/2003	Dozier	2005/0263659	A1	12/2005	Pfister et al.
2004/0159757	A1	8/2004	Pfister	2005/0263671	A1	12/2005	Lo
2004/0211870	A1	10/2004	Bremmon et al.	2005/0274858	A1	12/2005	Fedewa
2004/0232298	A1	11/2004	Bremmon et al.				

\* cited by examiner

FIG. 1



**FIG. 2**



**FIG. 3**

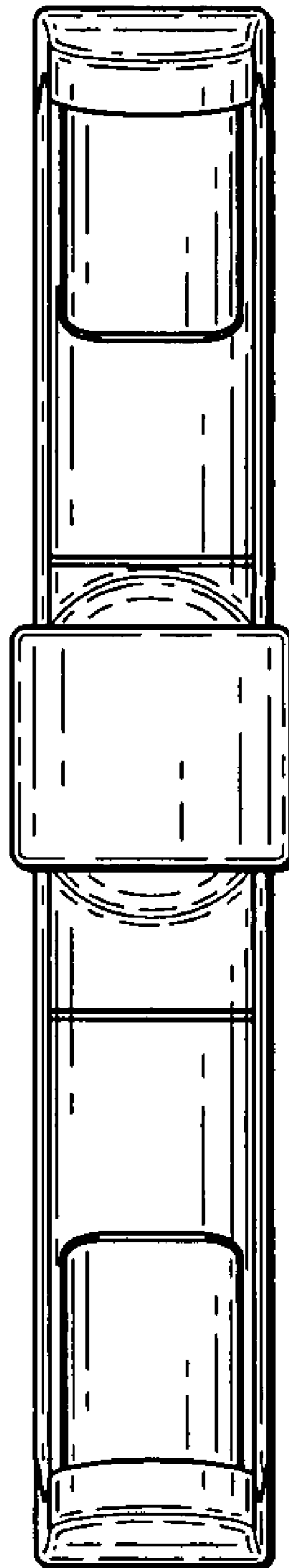
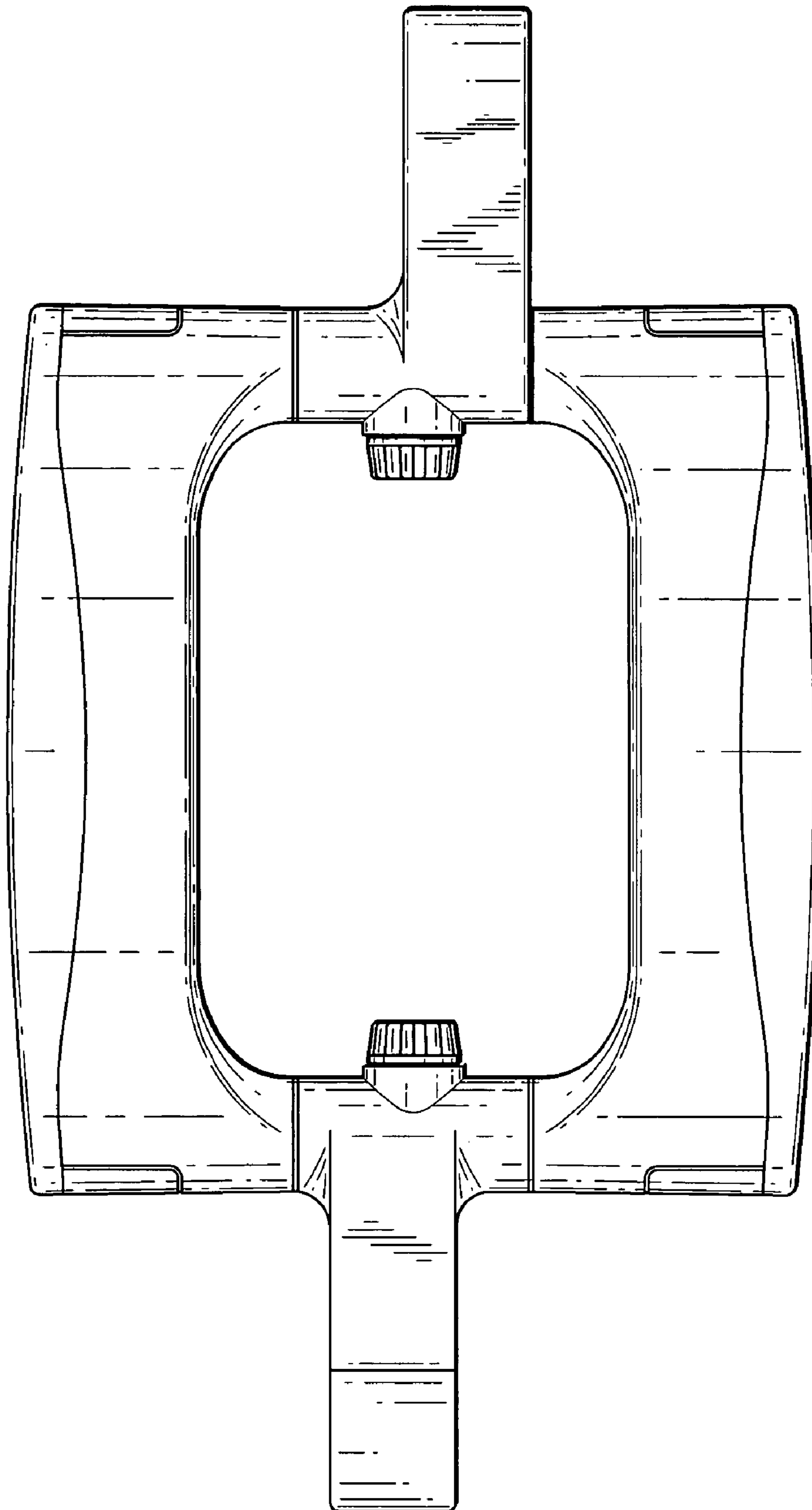


FIG. 4



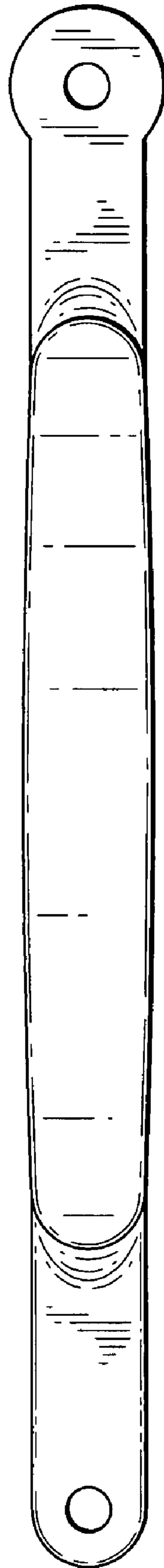


FIG. 5

FIG. 6

