

US00D56888S

(12) **United States Design Patent** (10) **Patent No.:** **US D568,888 S**  
**Eyman et al.** (45) **Date of Patent:** **\*\* May 13, 2008**

(54) **HANGING CURVED MOUNT FOR FLAT PANEL DISPLAYS**

(75) Inventors: **Zachary Eyman**, Phoenix, AZ (US);  
**Patrick Plehn**, Chandler, AZ (US);  
**Tom Muday**, Scottsdale, AZ (US)

(73) Assignee: **Omnimount Systems, Inc.**, Phoenix, AZ (US)

(\*\*) Term: **14 Years**

(21) Appl. No.: **29/265,565**

(22) Filed: **Aug. 31, 2006**

(51) **LOC (8) Cl.** ..... **14-03**

(52) **U.S. Cl.** ..... **D14/451**

(58) **Field of Classification Search** ..... D14/451,  
D14/452, 129, 209, 217, 224, 237, 238, 239,  
D14/432, 439, 447, 448; D8/349, 354, 355,  
D8/363, 373, 380; 248/176.1, 201, 205.1,  
248/220.21, 223.31, 231.9, 274.1, 276.1,  
248/281.11, 284.1, 286.1, 309.1, 316.1, 323,  
248/324, 349.1, 371, 398, 425, 917, 918,  
248/919, 920, 921, 922, 923, 924, 121, 124.1,  
248/127, 291.1, 313; 348/825, 827

See application file for complete search history.

(56) **References Cited**

**U.S. PATENT DOCUMENTS**

D332,789 S \* 1/1993 Rak ..... D14/251

D377,310 S \* 1/1997 Crump, Jr. .... D8/373  
6,220,556 B1 \* 4/2001 Sohrt et al. .... 248/279.1  
D460,078 S \* 7/2002 Li ..... D14/452  
6,997,422 B2 \* 2/2006 Sweere et al. .... 248/123.11  
2004/0011932 A1 \* 1/2004 Duff ..... 248/157  
2005/0035253 A1 \* 2/2005 Rixom ..... 248/284.1  
2005/0258321 A1 \* 11/2005 Worrall et al. .... 248/201  
2007/0041150 A1 \* 2/2007 Short et al. .... 361/681

\* cited by examiner

*Primary Examiner*—Cathron Brooks

*Assistant Examiner*—Angela J Lee

(74) *Attorney, Agent, or Firm*—Hogan & Hartson LLP

(57) **CLAIM**

The ornamental design for a hanging curved mount for flat panel displays.

**DESCRIPTION**

FIG. 1 is a top, right isometric view of a hanging curved mount for flat panel displays showing our design in a vertical configuration.

FIG. 2 is a front elevational view thereof.

FIG. 3 is a rear elevational view thereof.

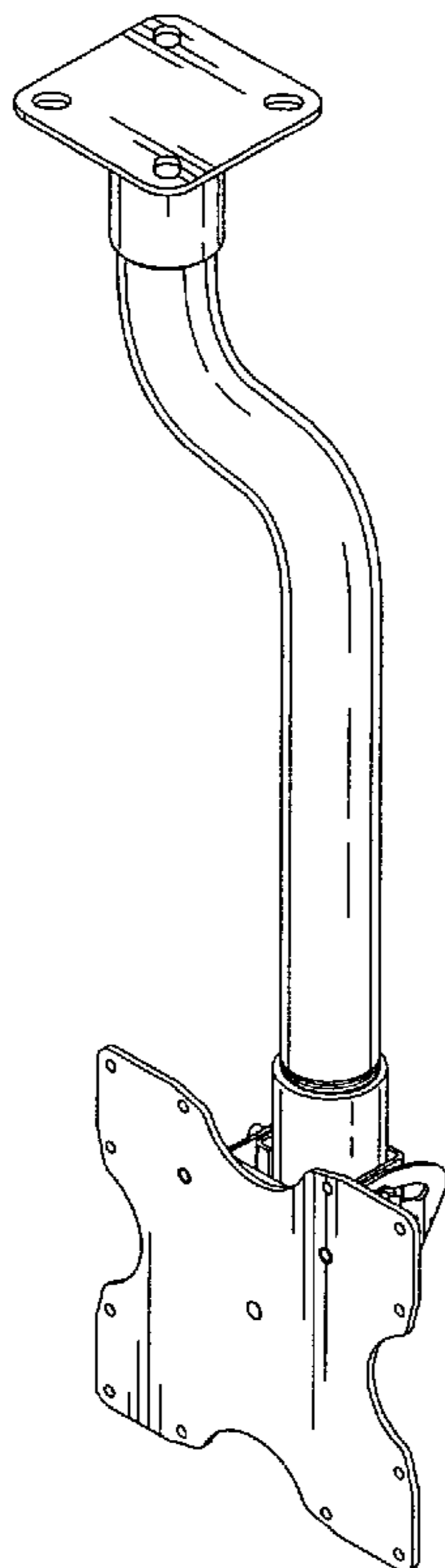
FIG. 4 is a left-side elevational view thereof.

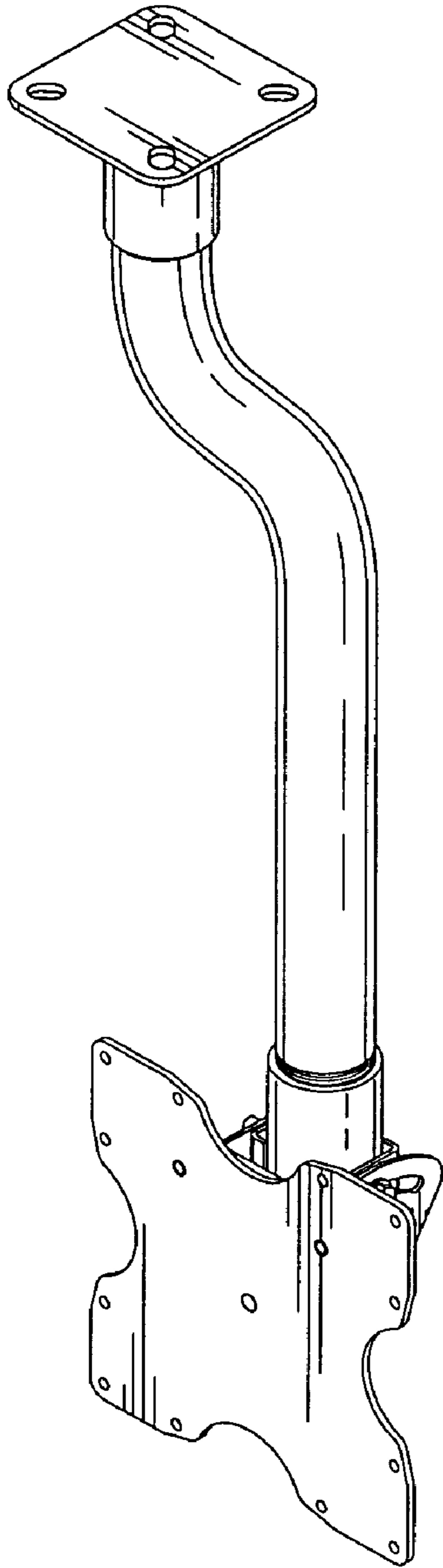
FIG. 5 is a right-side elevational view thereof.

FIG. 6 is a top plan view thereof; and,

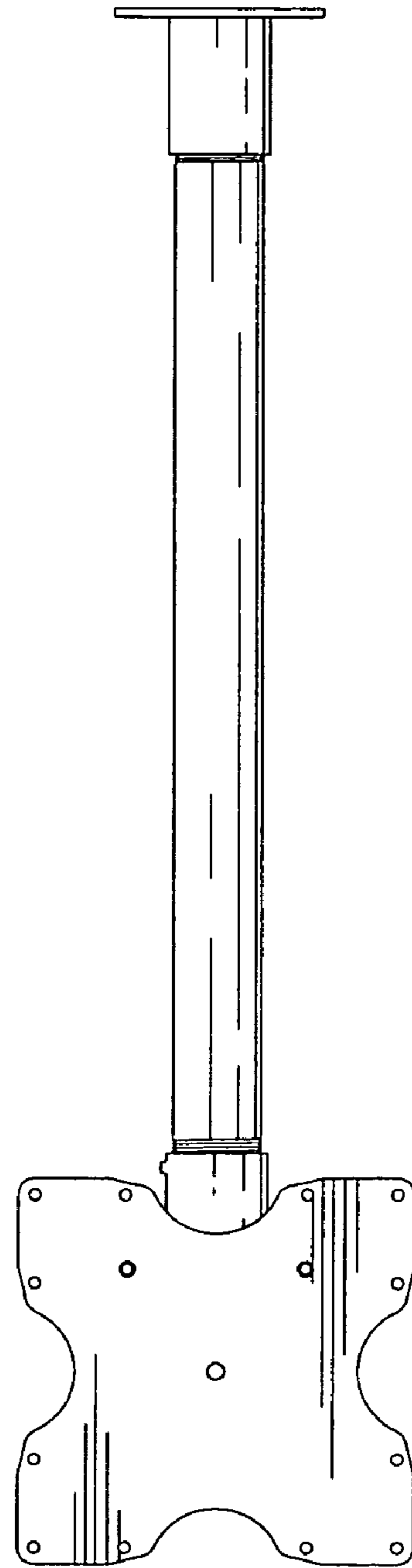
FIG. 7 is bottom plan view thereof.

**1 Claim, 3 Drawing Sheets**

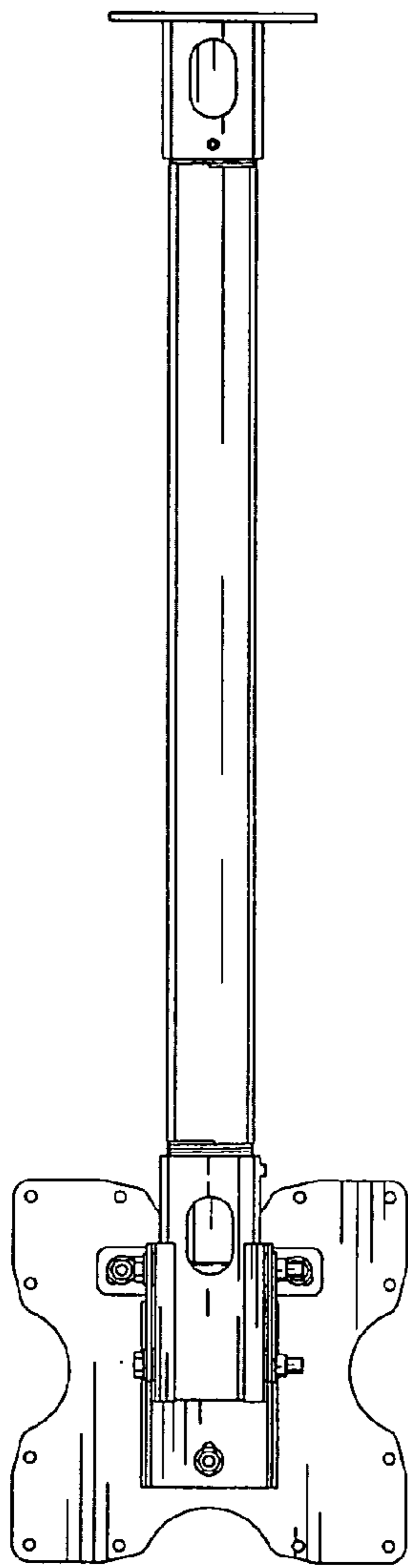




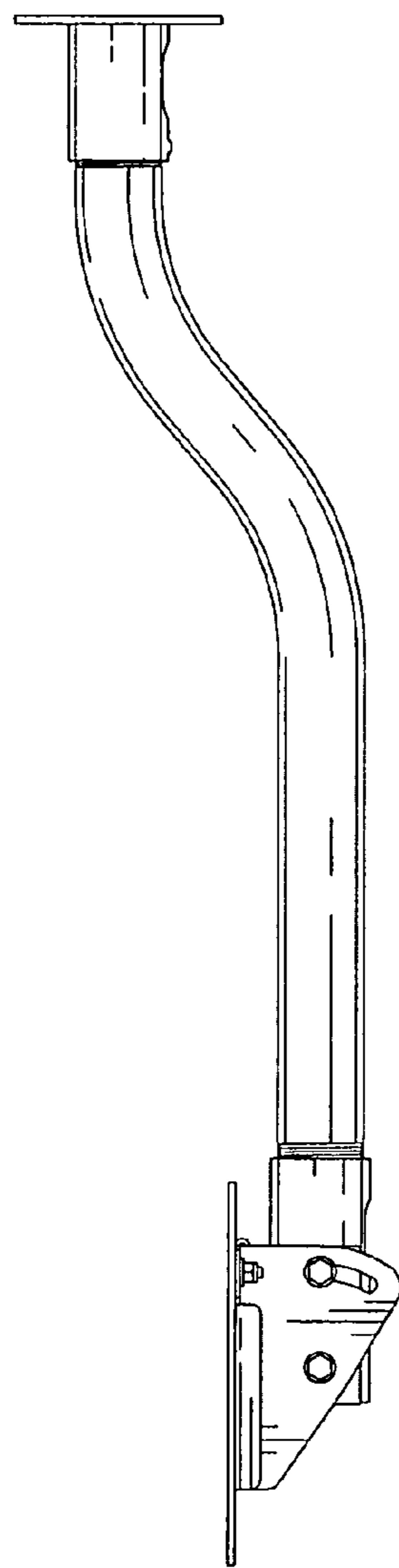
*Fig. 1*



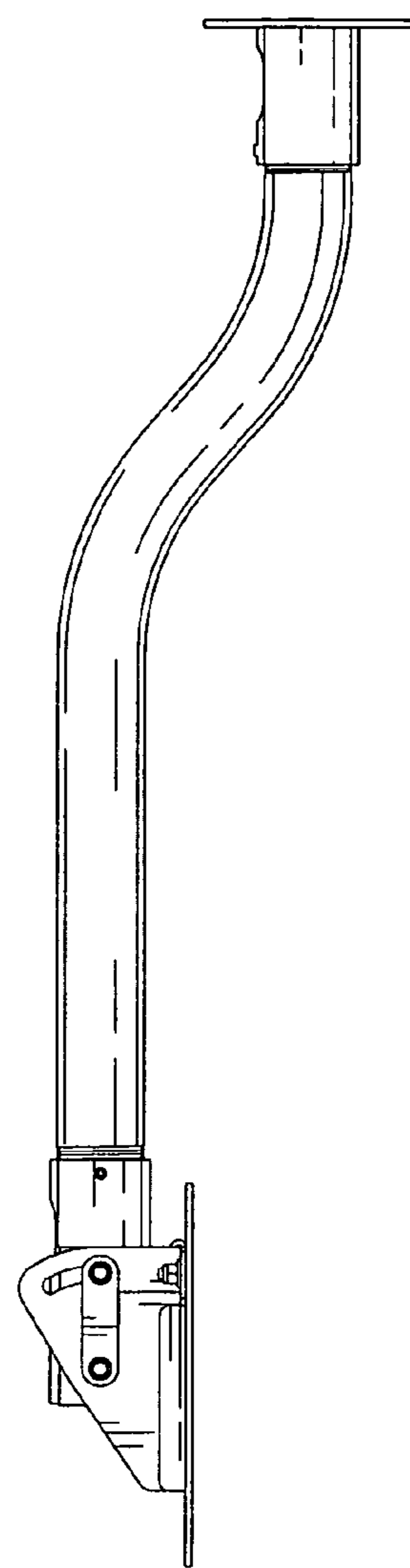
*Fig. 2*



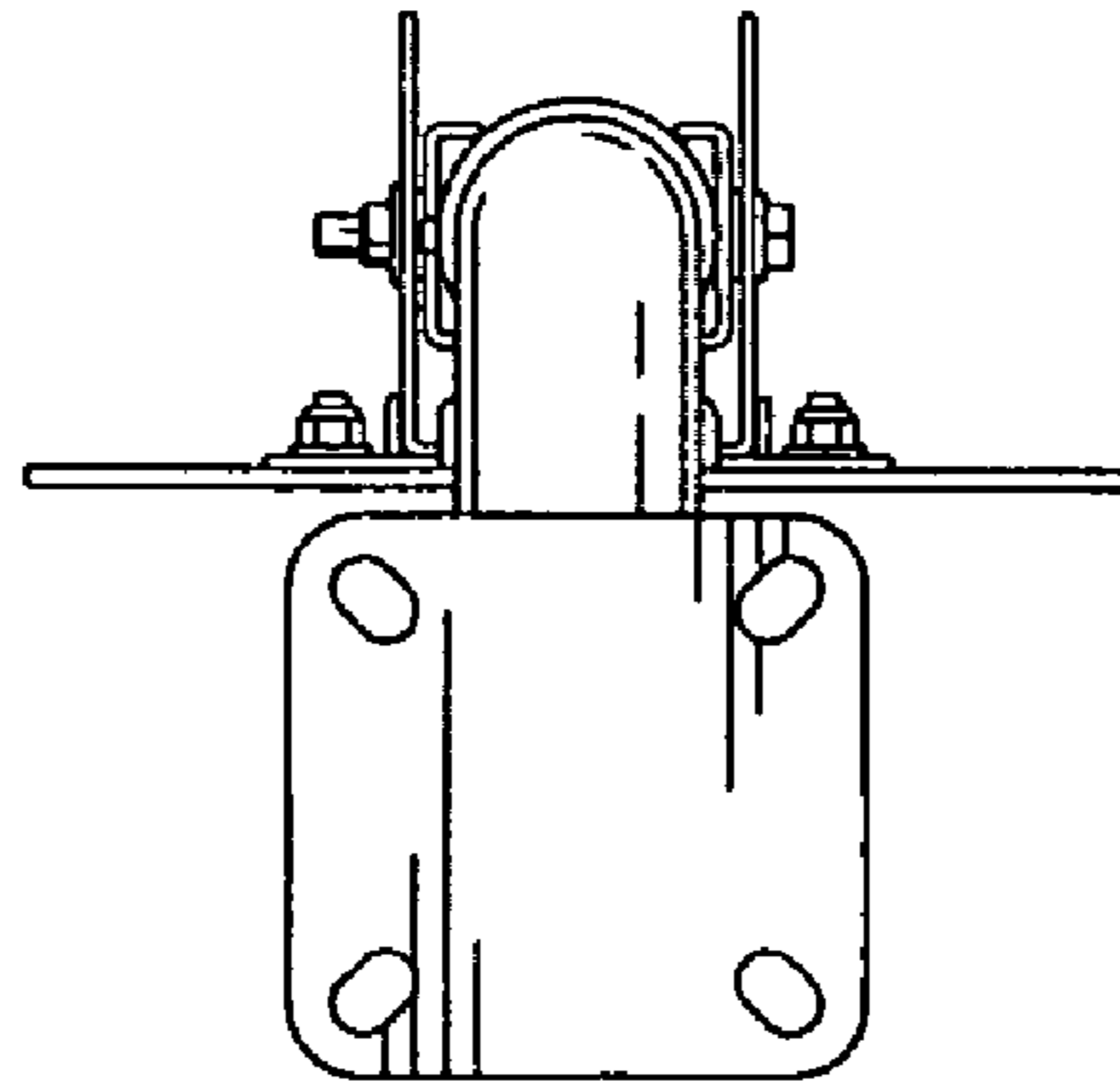
*Fig. 3*



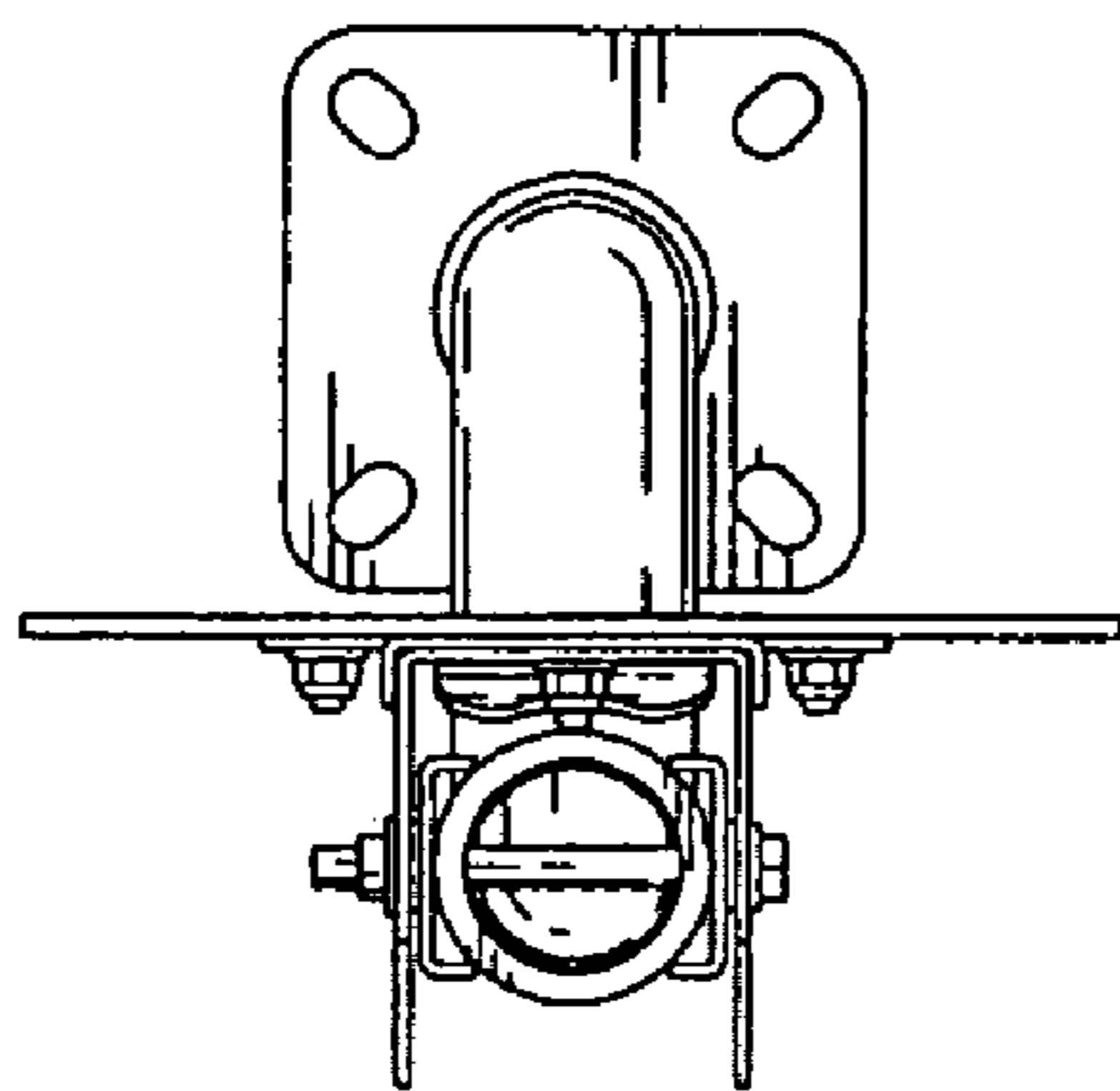
*Fig. 4*



*Fig. 5*



*Fig. 6*



*Fig. 7*