

US00D568884S

(12) **United States Design Patent**  
**Kawanobe et al.**

(10) **Patent No.:** **US D568,884 S**  
(45) **Date of Patent:** **\*\* May 13, 2008**

(54) **HAND-HELD ELECTRONIC GAME MACHINE**

(75) Inventors: **Naoya Kawanobe**, Kyoto (JP);  
**Tomoyuki Sakiyama**, Kyoto (JP)

(73) Assignee: **Nintendo Co., Ltd.**, Kyoto (JP)

(\*\*) Term: **14 Years**

(21) Appl. No.: **29/287,482**

(22) Filed: **Aug. 14, 2007**

**Related U.S. Application Data**

(62) Division of application No. 29/242,563, filed on Nov. 14, 2005, now Pat. No. Des. 556,759.

(30) **Foreign Application Priority Data**

Jan. 21, 2005 (JP) ..... 2005-013667  
Jan. 21, 2005 (JP) ..... 2005-013668  
Jan. 21, 2005 (JP) ..... 2005-013669

(51) **LOC (8) Cl.** ..... **14-03**

(52) **U.S. Cl.** ..... **D14/401; D14/454; D21/332**

(58) **Field of Classification Search** ..... D14/399-401,  
D14/432, 440, 454-457, 439; D21/324,  
D21/333, 385; 273/148 B, 309; 463/1,  
463/37, 46, 47; 345/156, 161, 162, 168,  
345/169

See application file for complete search history.

(56) **References Cited**

**U.S. PATENT DOCUMENTS**

D318,884 S 8/1991 Kojo  
D347,450 S 5/1994 Nagata et al.  
D373,137 S \* 8/1996 Nakada ..... D17/24  
D383,798 S 9/1997 Yokoi et al.  
D396,495 S 7/1998 Hirokane  
5,785,317 A \* 7/1998 Sasaki ..... 273/148 B

D414,439 S 9/1999 Sugino  
D416,291 S 11/1999 Sugino  
6,201,247 B1 \* 3/2001 Lutheran et al. .... 250/363.04  
6,241,247 B1 6/2001 Sternberg et al.  
D452,247 S 12/2001 Flynn  
D452,280 S \* 12/2001 Ota et al. .... D21/329  
6,342,009 B1 \* 1/2002 Soma ..... 463/38  
D453,536 S \* 2/2002 Ota et al. .... D21/329  
D461,247 S 8/2002 Dragan et al.  
D475,710 S \* 6/2003 Sheehan et al. .... D14/401  
D484,918 S 1/2004 Okada et al.  
D487,466 S \* 3/2004 Yokota ..... D14/454  
D532,829 S \* 11/2006 Kawanobe et al. .... D21/333  
7,136,674 B2 11/2006 Yoshie et al.  
7,193,165 B2 \* 3/2007 Kawanobe et al. .... 200/5 R  
D540,396 S \* 4/2007 Kawanobe et al. .... D21/333

\* cited by examiner

*Primary Examiner*—Prabhakar Deshmukh

(74) *Attorney, Agent, or Firm*—Nixon & Vanderhye, PC

(57) **CLAIM**

The ornamental design for hand-held electronic game machine, as shown and described.

**DESCRIPTION**

FIG. 1 is a front, top and right perspective view of a hand-held electronic game machine showing our new design;

FIG. 2 is a rear, bottom and left perspective view thereof;

FIG. 3 is a front view thereof;

FIG. 4 is a rear view thereof;

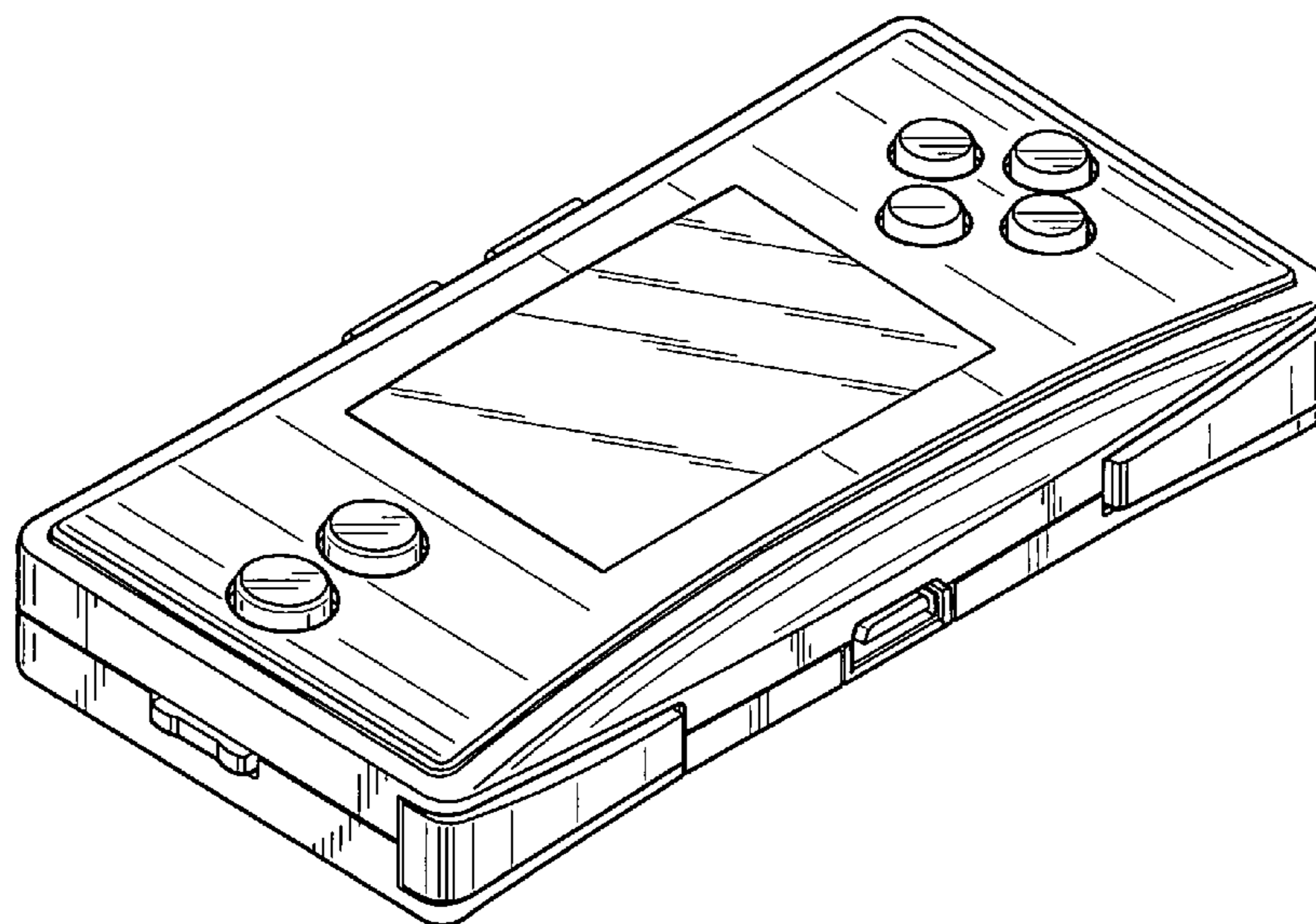
FIG. 5 is a top plan view thereof;

FIG. 6 is a bottom plan view thereof;

FIG. 7 is a left side view thereof; and,

FIG. 8 is a right side view thereof.

**1 Claim, 3 Drawing Sheets**



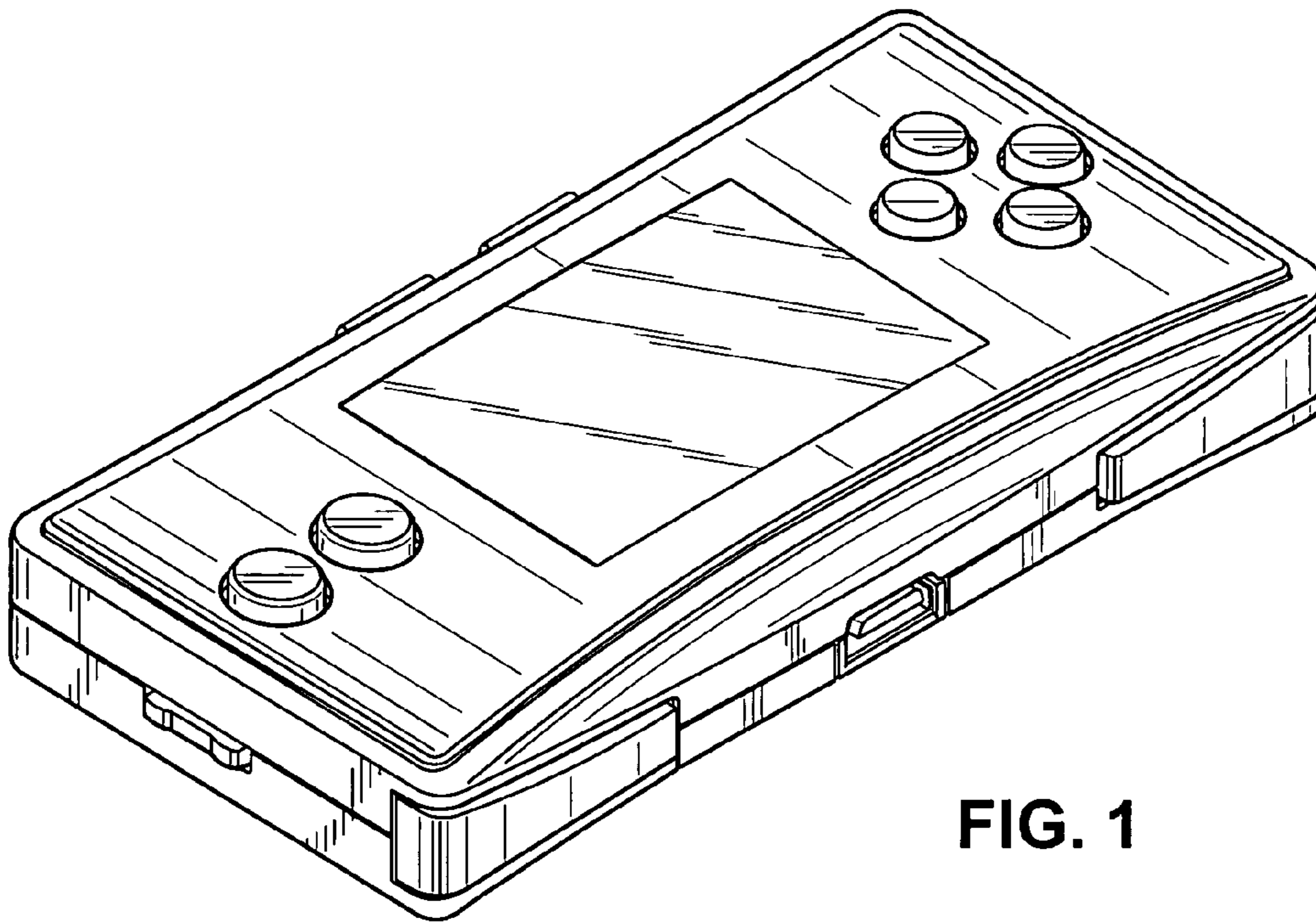


FIG. 1

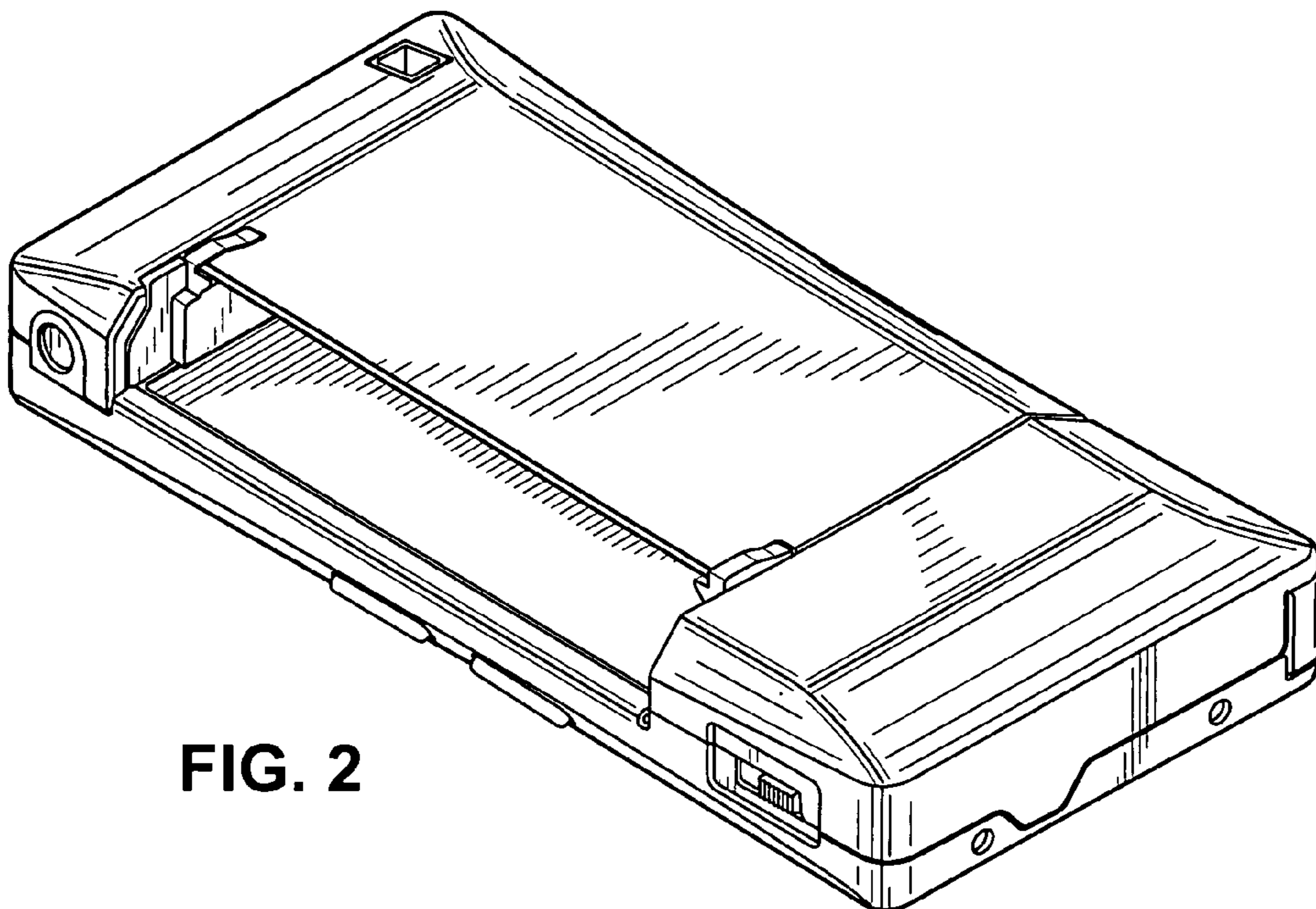


FIG. 2

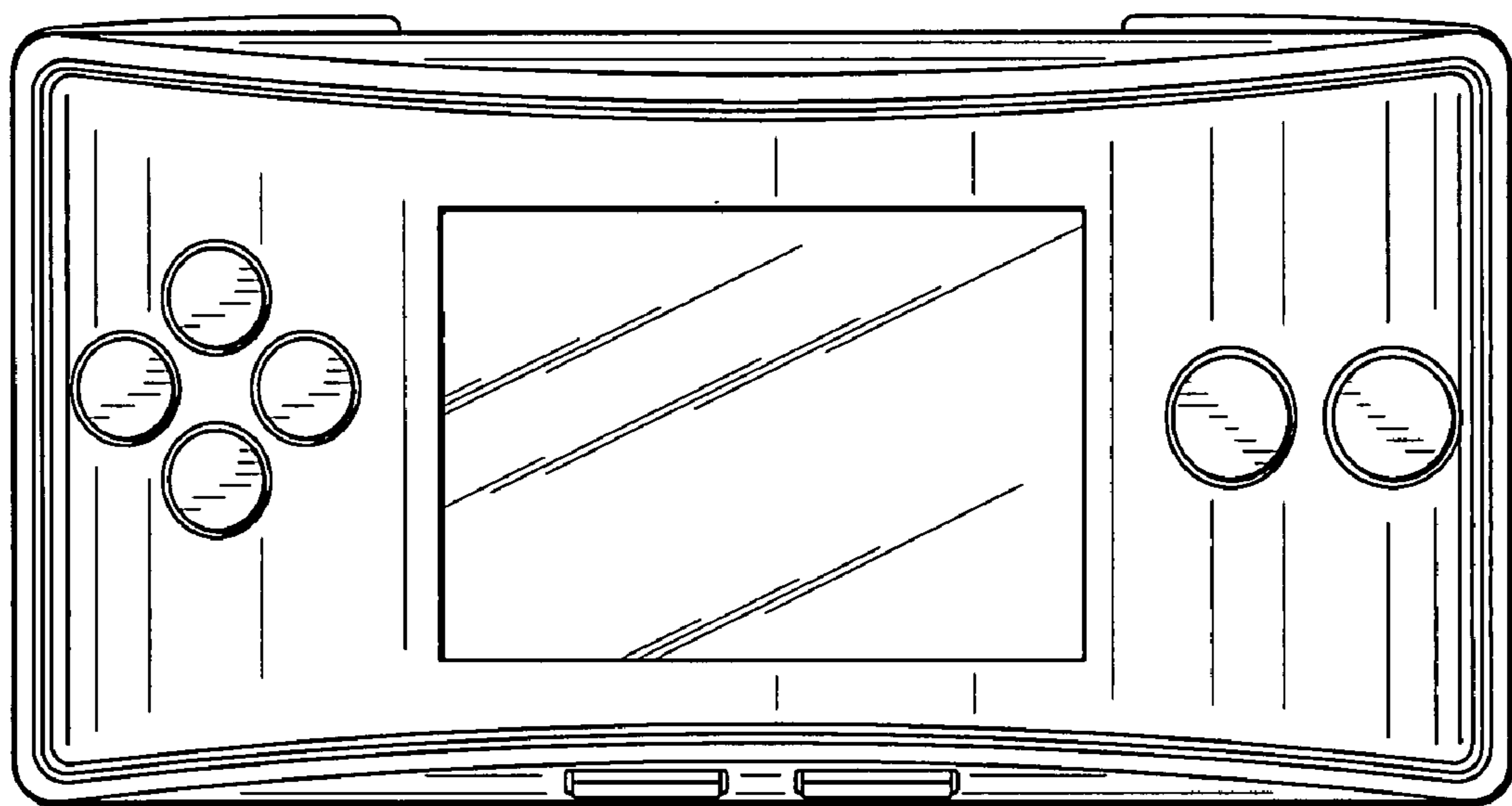


FIG. 3

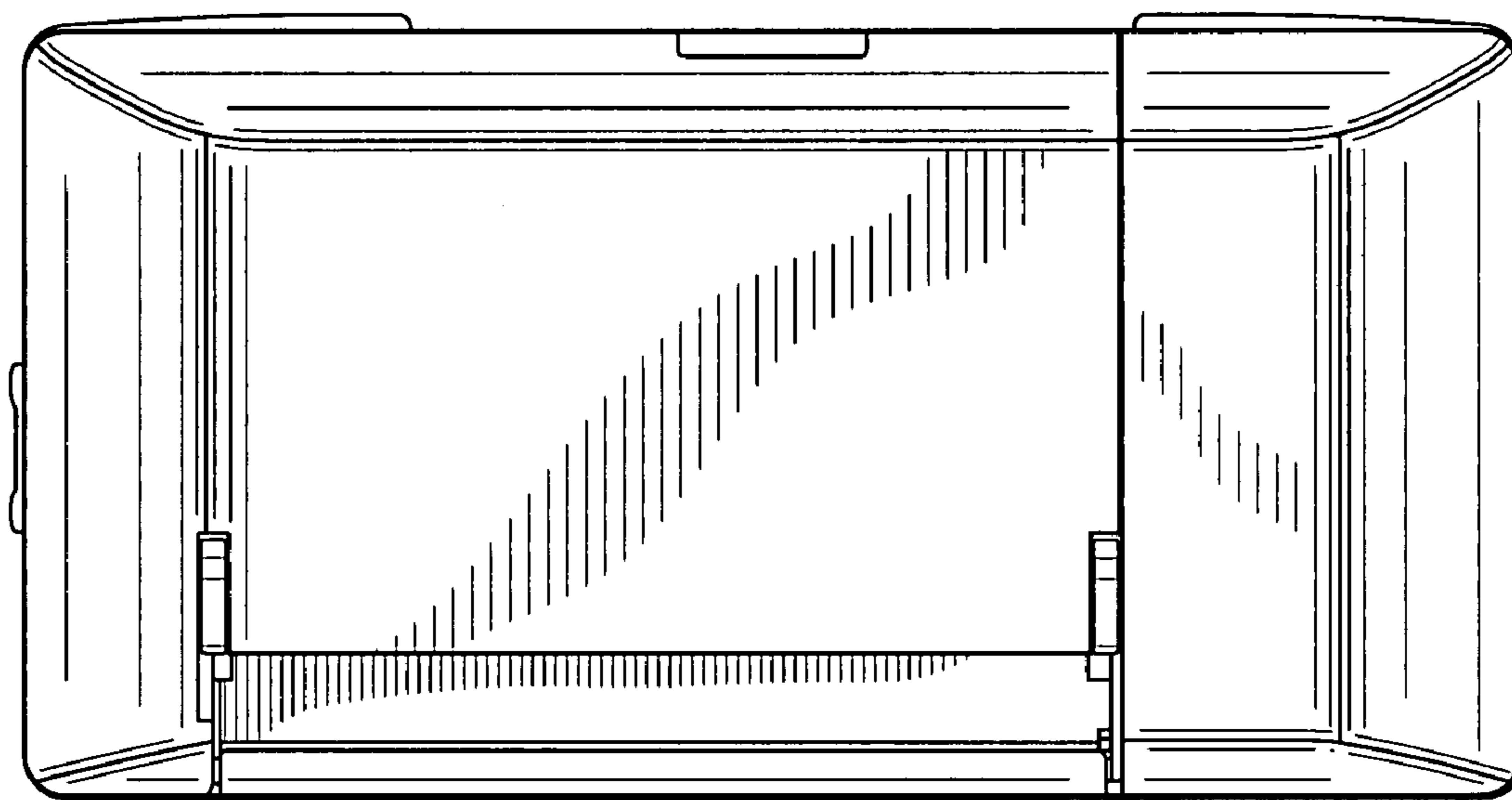
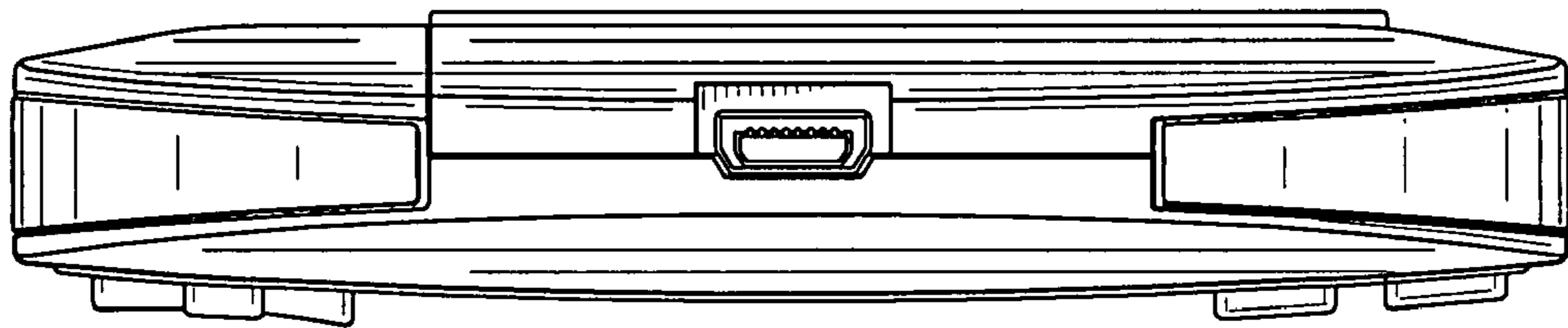
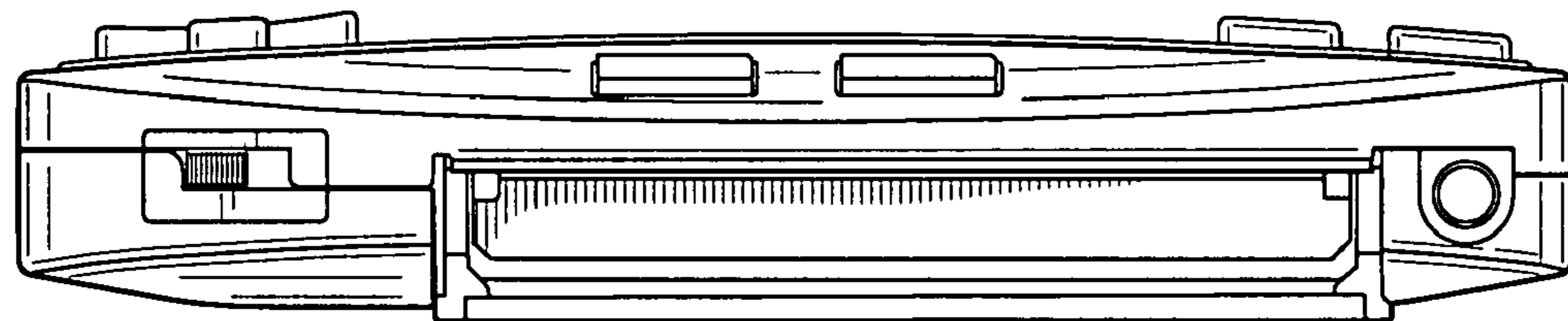


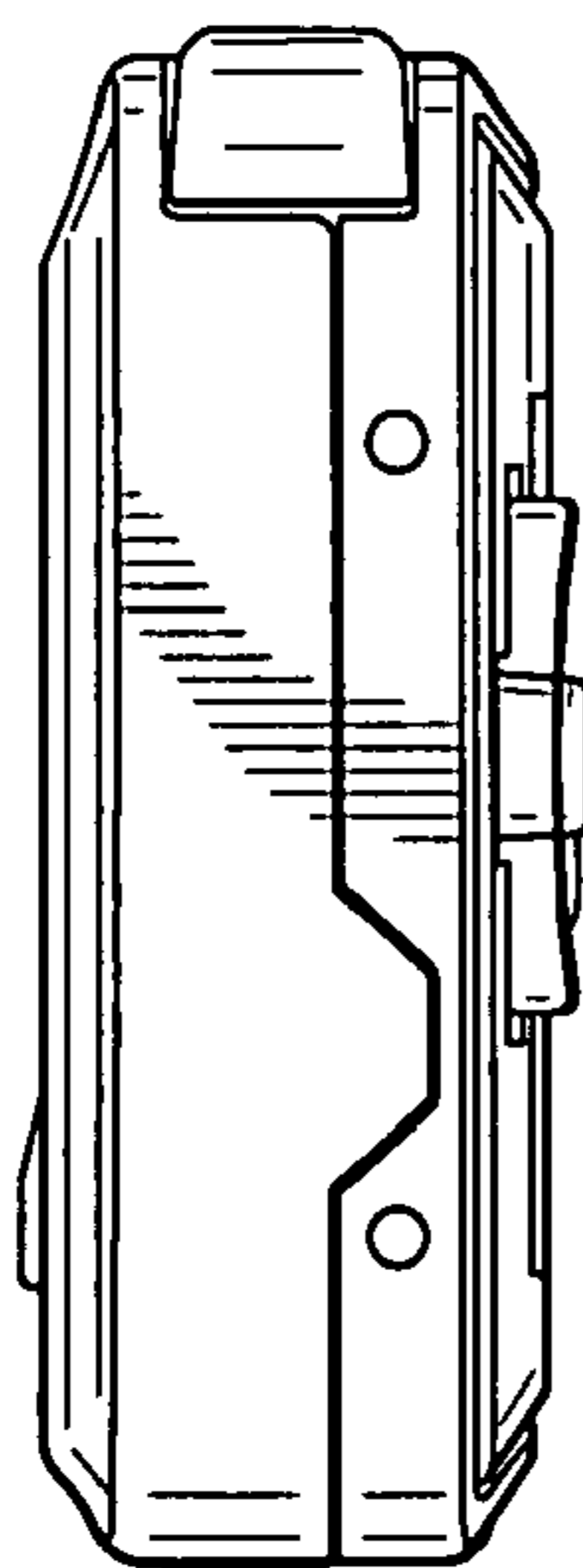
FIG. 4



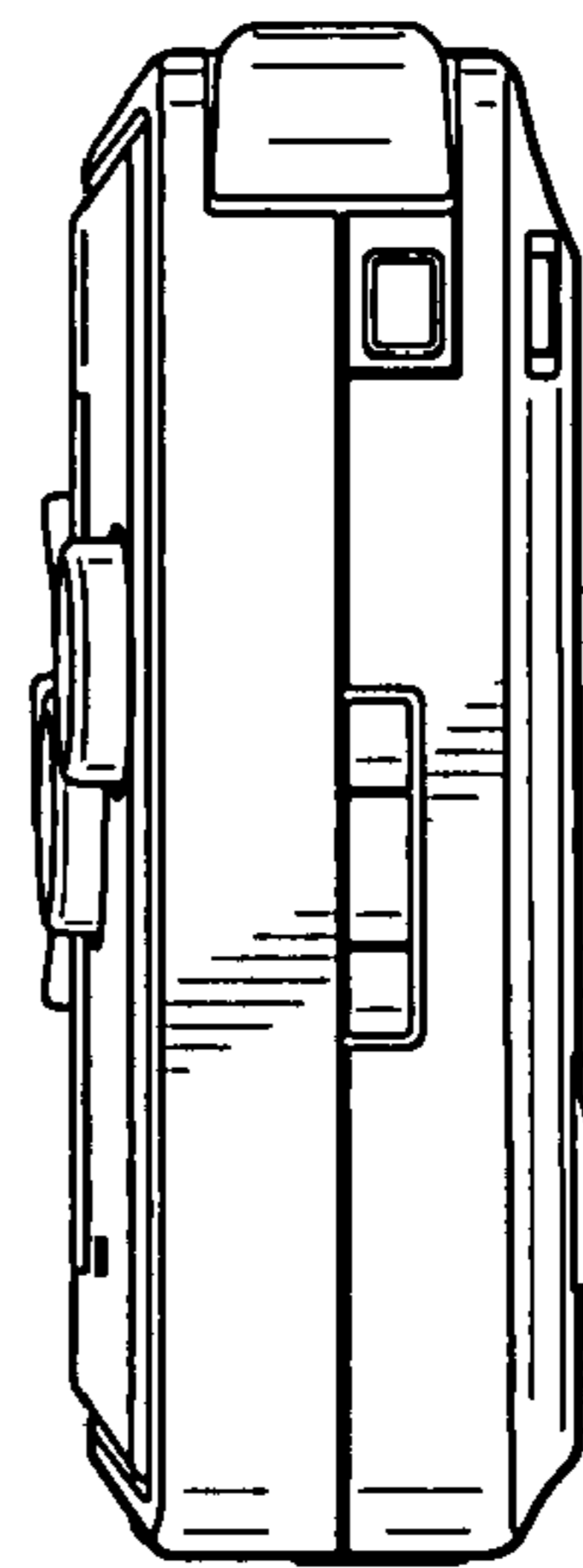
**FIG. 5**



**FIG. 6**



**FIG. 7**



**FIG. 8**