



US00D568882S

(12) **United States Design Patent**
Ashida et al.

(10) **Patent No.:** **US D568,882 S**
(45) **Date of Patent:** **** May 13, 2008**

(54) **CONTROLLER FOR ELECTRONIC GAME MACHINE**

(75) Inventors: **Kenichiro Ashida**, Kyoto (JP); **Masato Ibuki**, Kyoto (JP); **Shinji Yamamoto**, Kyoto (JP); **Fumiyoshi Suetake**, Kyoto (JP); **Daisuke Kumazaki**, Kyoto (JP); **Akiko Suga**, Kyoto (JP)

(73) Assignee: **Nintendo Co., Ltd.**, Kyoto (JP)

(**) Term: **14 Years**

(21) Appl. No.: **29/268,250**

(22) Filed: **Nov. 2, 2006**

(30) **Foreign Application Priority Data**

May 2, 2006 (JP) 2006-011525
May 2, 2006 (JP) 2006-011529
May 2, 2006 (JP) 2006-011531

(51) **LOC (8) Cl.** **14-02**

(52) **U.S. Cl.** **D14/400; D21/328; D21/333**

(58) **Field of Classification Search** D14/399-401, D14/412, 356, 432, 454, 496; 273/148 B, 273/148 R; 463/1, 29, 43-47; 345/156, 345/161, 168, 169; 74/469, 471 R, 471 XY; D21/324, 328, 330-333
See application file for complete search history.

(56) **References Cited**

U.S. PATENT DOCUMENTS

4,969,647 A * 11/1990 Mical et al. 463/31
D320,624 S * 10/1991 Taylor D21/331
5,253,068 A * 10/1993 Crook et al. 348/734
5,476,261 A * 12/1995 Hultstrand 273/148 B
5,645,277 A * 7/1997 Cheng 273/148 B
6,241,247 B1 * 6/2001 Sternberg et al. 273/148 B
6,494,786 B2 * 12/2002 Oshita 463/46

D487,466 S * 3/2004 Yokota D14/454
D494,634 S * 8/2004 Soga D21/333
7,046,508 B2 * 5/2006 Lin 361/683
D543,246 S * 5/2007 Ashida et al. D21/333
D550,673 S * 9/2007 Wong D14/413
D552,185 S * 10/2007 Hussaini et al. D21/333

OTHER PUBLICATIONS

Ashida et al., entitled, "Portions of Controller for Electronic Game Machine," U.S. Appl. No. 29/268,187, filed Nov. 1, 2006, pending.

* cited by examiner

Primary Examiner—Prabhakar Deshmukh

(74) *Attorney, Agent, or Firm*—Nixon & Vanderhye, PC

(57) **CLAIM**

The ornamental design for a controller for electronic game machine, as shown and described.

DESCRIPTION

FIG. 1 is a front, top and left perspective view of a controller for electronic game machine showing our new design;

FIG. 2 is a rear, bottom and right perspective view thereof;

FIG. 3 is a front view thereof;

FIG. 4 is a rear view thereof;

FIG. 5 is a right side view thereof, a left side view being a mirror image thereof;

FIG. 6 is a top plan view thereof;

FIG. 7 is a bottom plan view thereof;

FIG. 8 is a section view at a line 8—8 in FIG. 3; and,

FIG. 9 is a reference perspective view showing a state that another controller is attached onto this controller.

The broken lines are for illustrative purpose only and form no part of the claimed design.

1 Claim, 4 Drawing Sheets

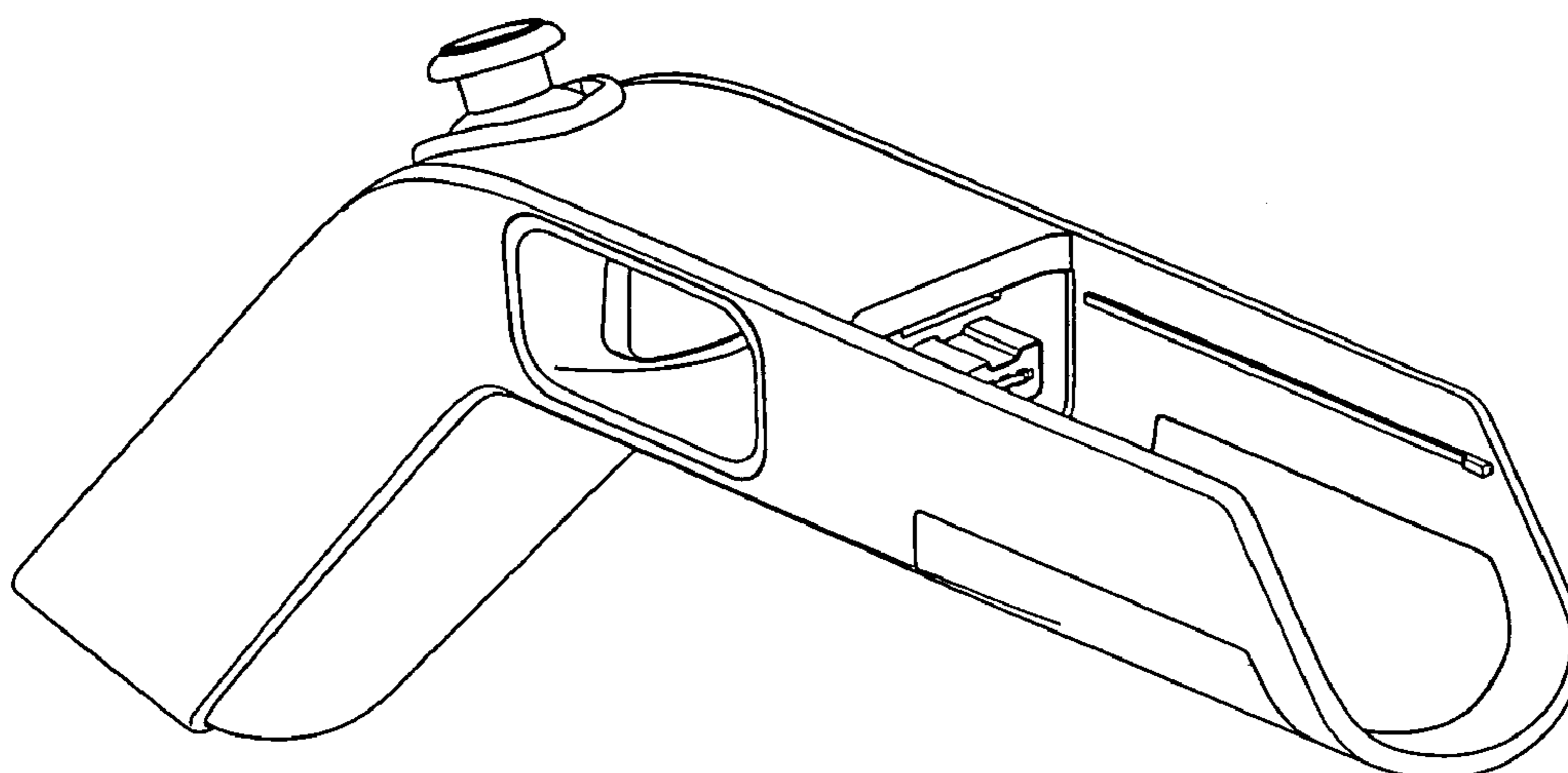


FIG. 1

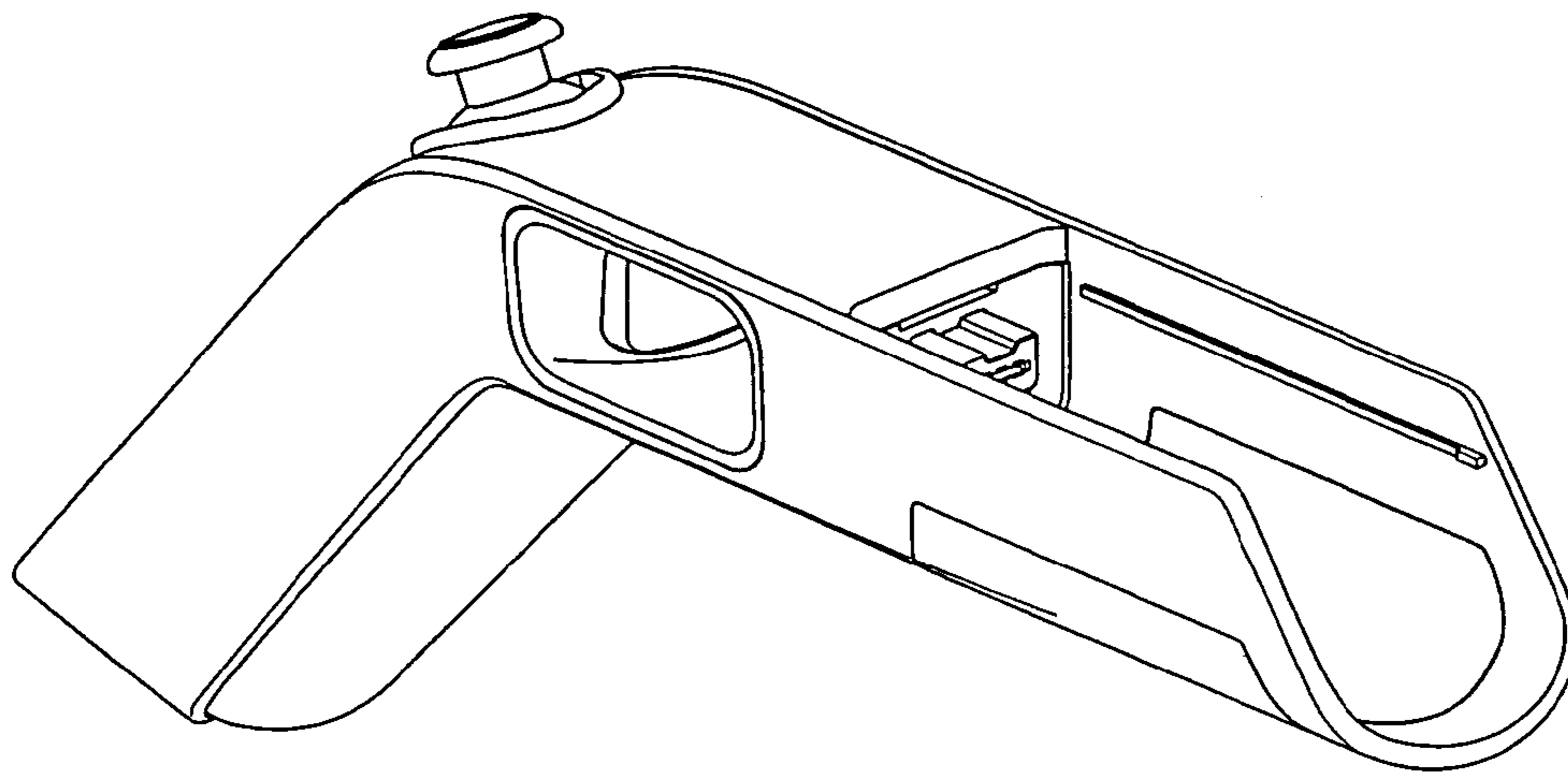


FIG. 2

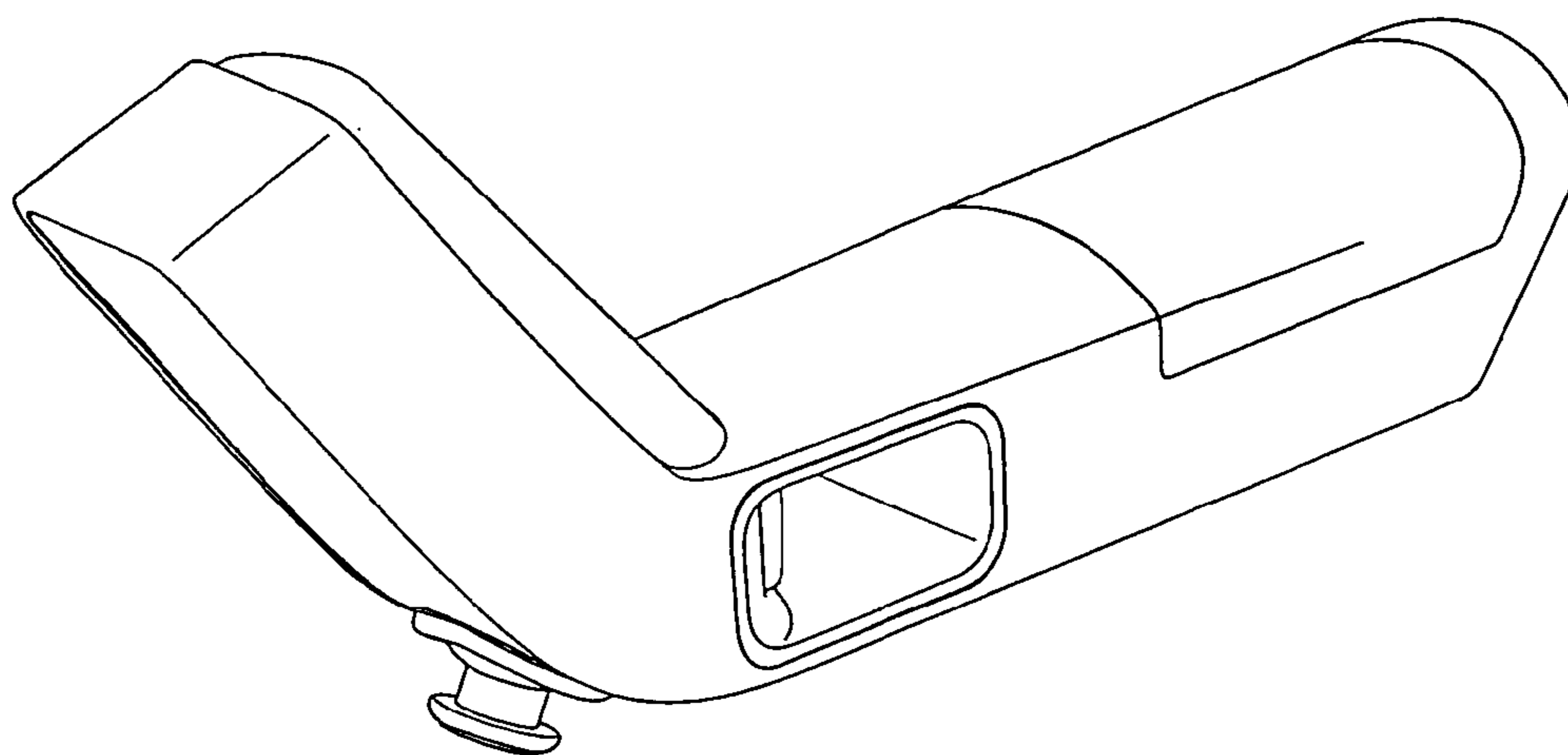


FIG. 3

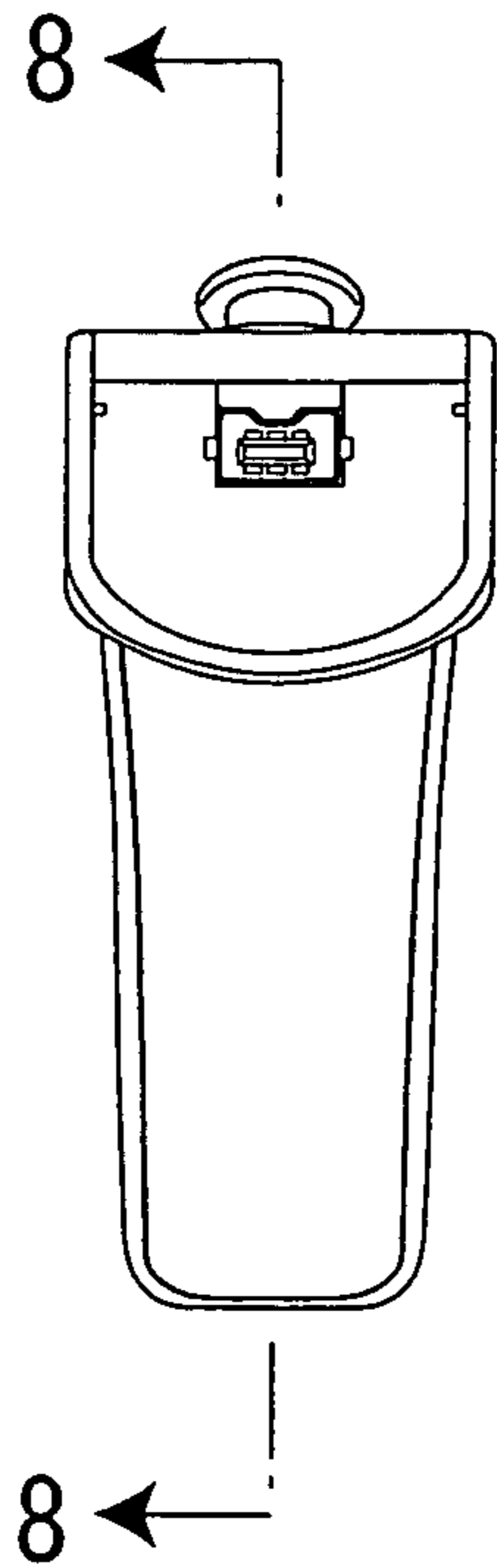


FIG. 4

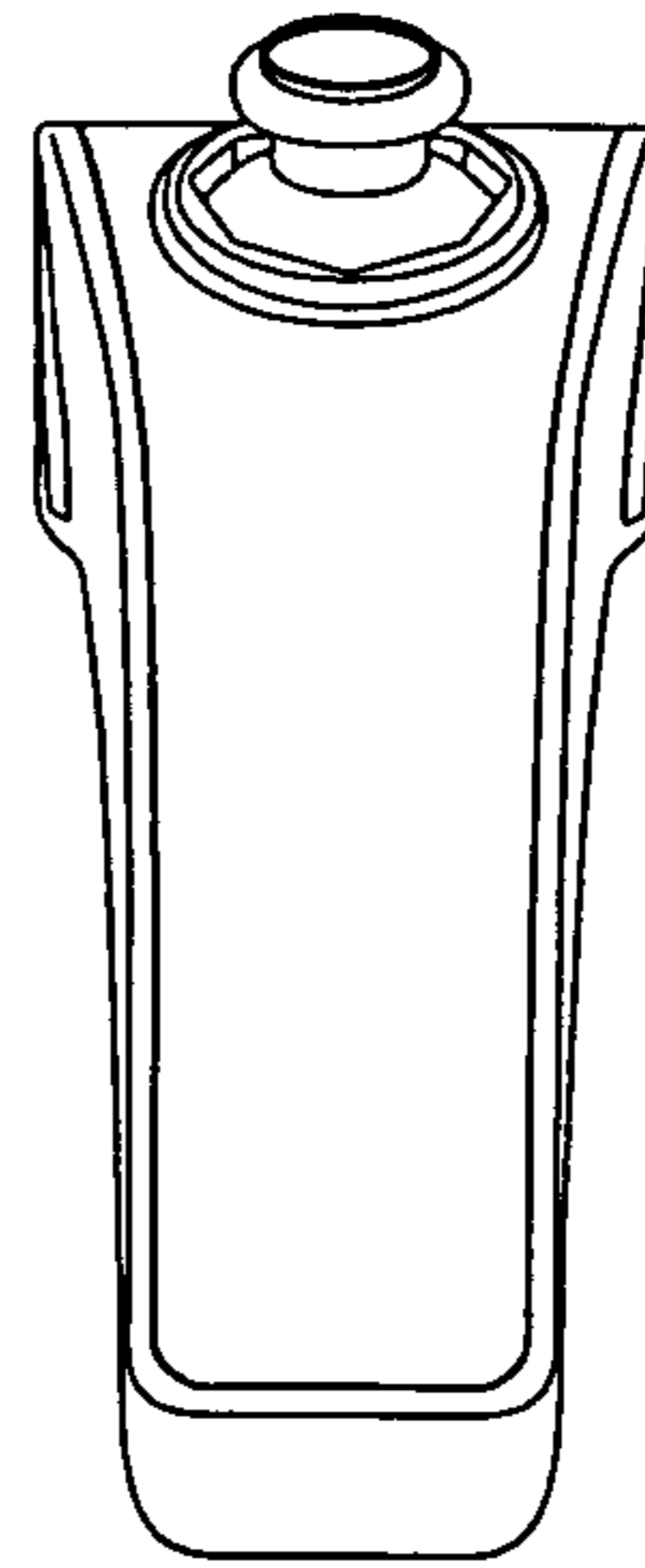


FIG. 5

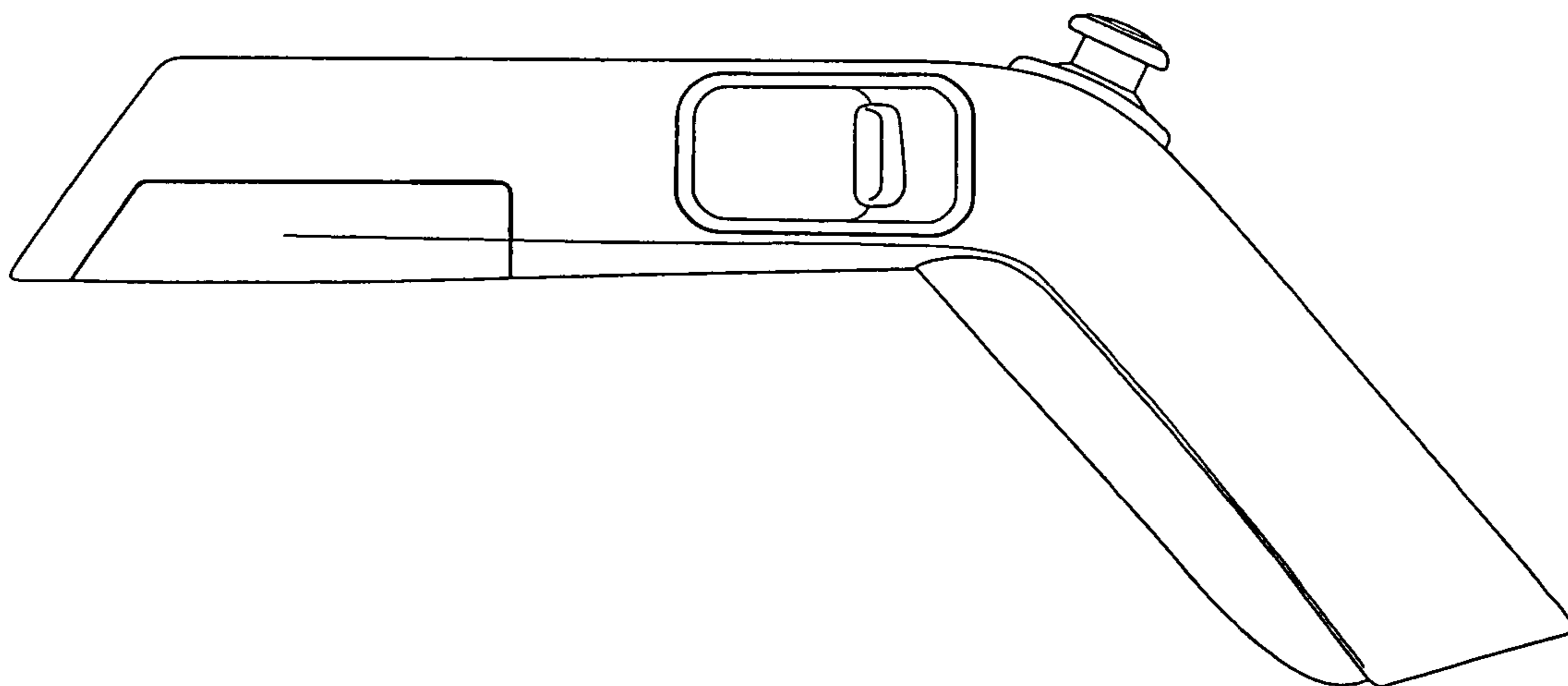


FIG. 6

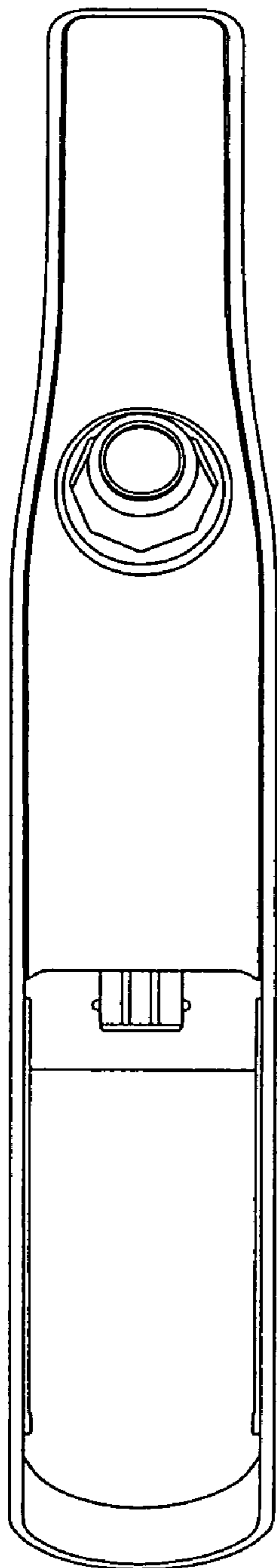


FIG. 7

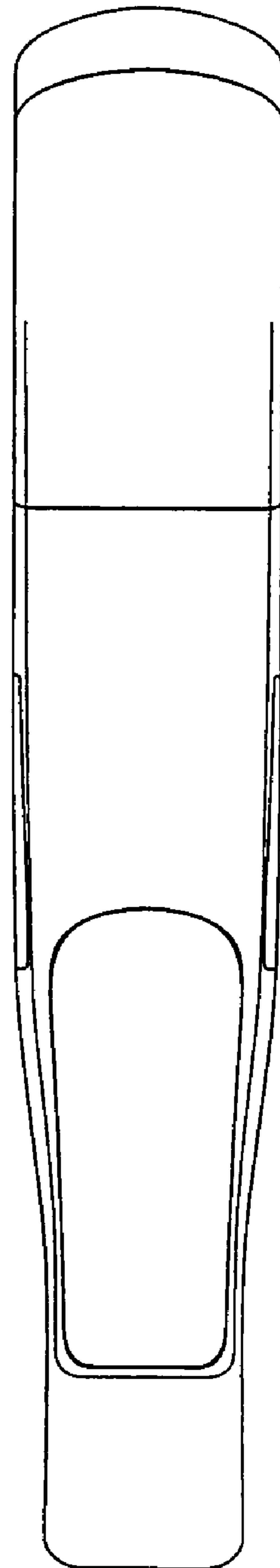


FIG. 8

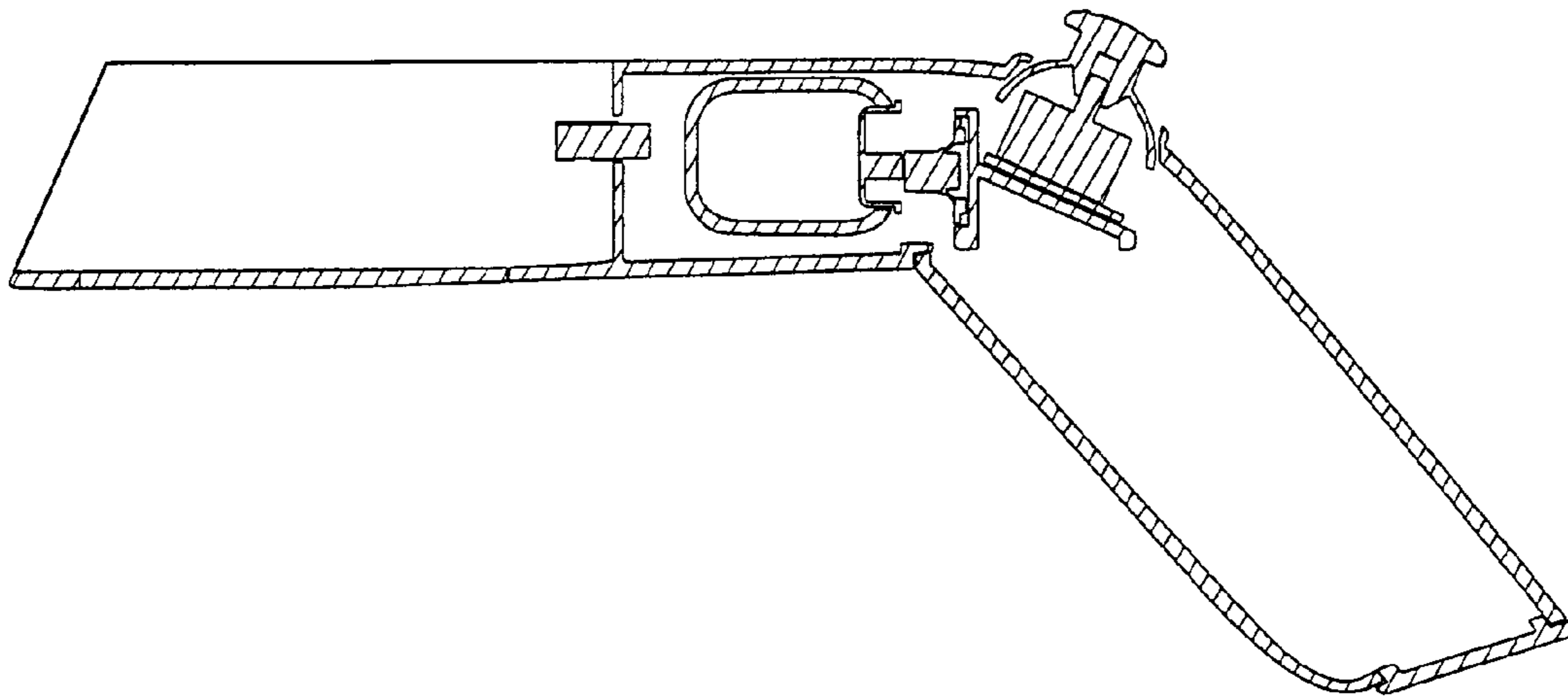


FIG. 9

