



US00D568881S

(12) **United States Design Patent** (10) **Patent No.:** **US D568,881 S**
Hsiau (45) **Date of Patent:** **** May 13, 2008**

(54) **EXTERNAL BOX FOR HARD DISK DRIVES**

7,269,003 B1* 9/2007 Chung 361/685

(75) Inventor: **Yung-Li Hsiau**, Taipei (TW)

(73) Assignee: **D-Link Corporation**, Taipei (TW)

(**) Term: **14 Years**

(21) Appl. No.: **29/258,762**

(22) Filed: **Apr. 27, 2006**

(51) **LOC (8) Cl.** **14-02**

(52) **U.S. Cl.** **D14/370; D14/356**

(58) **Field of Classification Search** D14/301,
D14/313, 348-9, 351-8, 363, 368, 370, 432,
D14/435-6, 496, 137, 155, 167-168, 240,
D14/242, 299; 711/100, 115; 361/685, 725,
361/752; 369/272.1, 273, 75.11; 360/133,
360/97.01, 97.03; D13/149, 184; D3/201,
D3/273

See application file for complete search history.

(56) **References Cited**

U.S. PATENT DOCUMENTS

D286,050 S *	10/1986	Roots et al.	D14/368
D335,651 S *	5/1993	Jones et al.	D14/313
D477,609 S *	7/2003	Heath et al.	D14/496
D491,179 S *	6/2004	Wu	D14/368
D506,755 S *	6/2005	Chen et al.	D14/349
D539,264 S *	3/2007	Kim et al.	D14/188
D541,273 S *	4/2007	Wang	D14/356
D543,542 S *	5/2007	Ng et al.	D14/356

OTHER PUBLICATIONS

DataStor Technology Co. Ltd @ Global Sources Online—Supplier Homepage [online]. http://datastor.manufacturer.globalsources.com/si/6008800307...Compact-Case-for/product_id-1002430427/action-GetProduct.htm [retrieved on Nov. 14, 2006].*

DataStor Technology Co. Ltd @ Global Sources Online—Supplier Homepage [online]. http://datastor.manufacturer.globalsources.com/si/6008800307...Compact-Case-for/product_id-1002430329/action-GetProduct.htm [retrieved on Nov. 14, 2006].*

* cited by examiner

Primary Examiner—Robin V. Webster

Assistant Examiner—Karen E Kearney

(74) *Attorney, Agent, or Firm*—Bacon & Thomas PLLC

(57) **CLAIM**

The ornamental design for a external box for hard disk drives, as shown.

DESCRIPTION

FIG. 1 is a perspective view of a external box for hard disk drives showing my new design;

FIG. 2 is a front elevational view thereof;

FIG. 3 is a rear elevational view thereof;

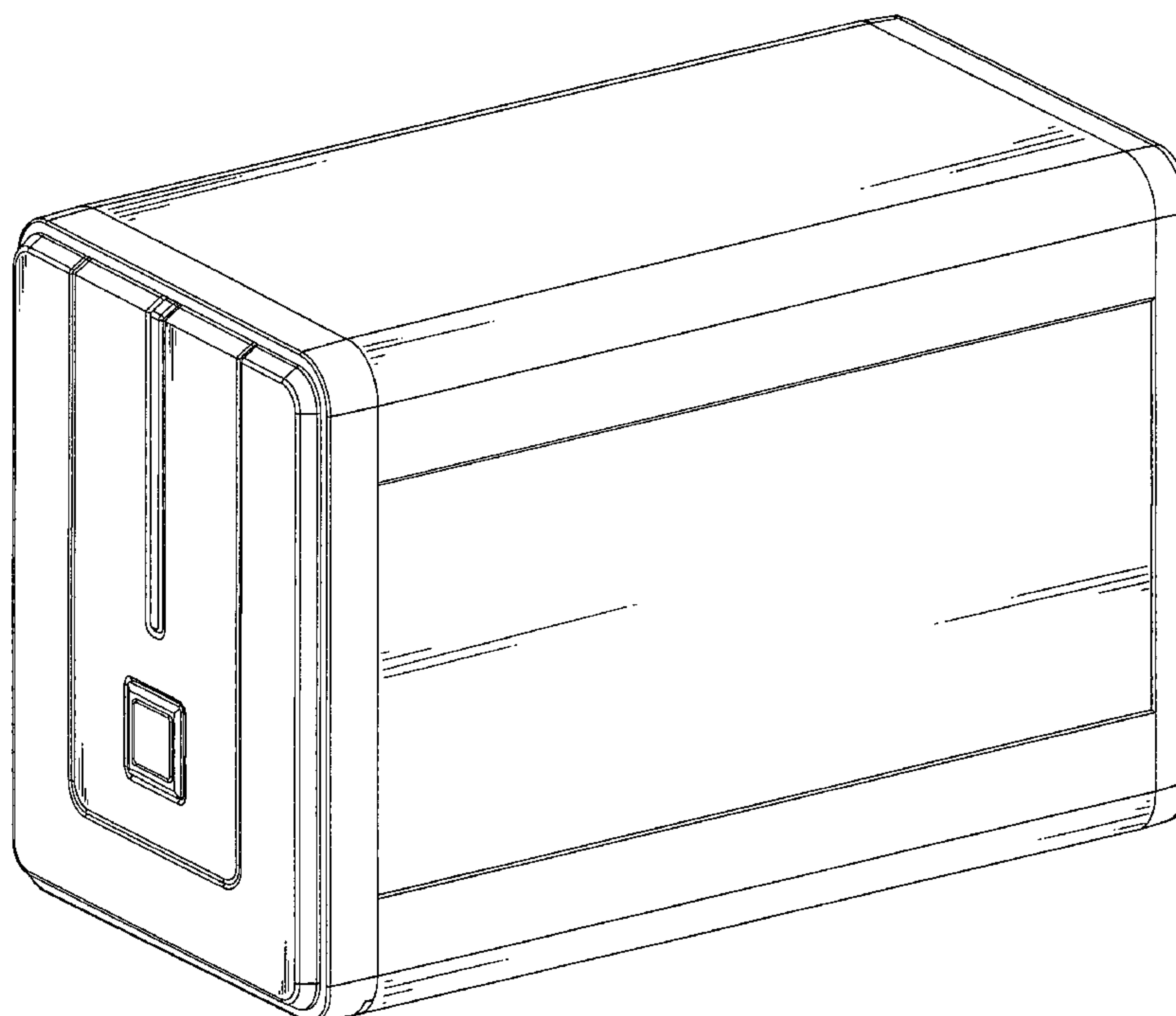
FIG. 4 is a left side elevational view thereof;

FIG. 5 is a right side elevational view thereof;

FIG. 6 is a top plan view thereof; and,

FIG. 7 is a bottom plan view thereof.

1 Claim, 6 Drawing Sheets



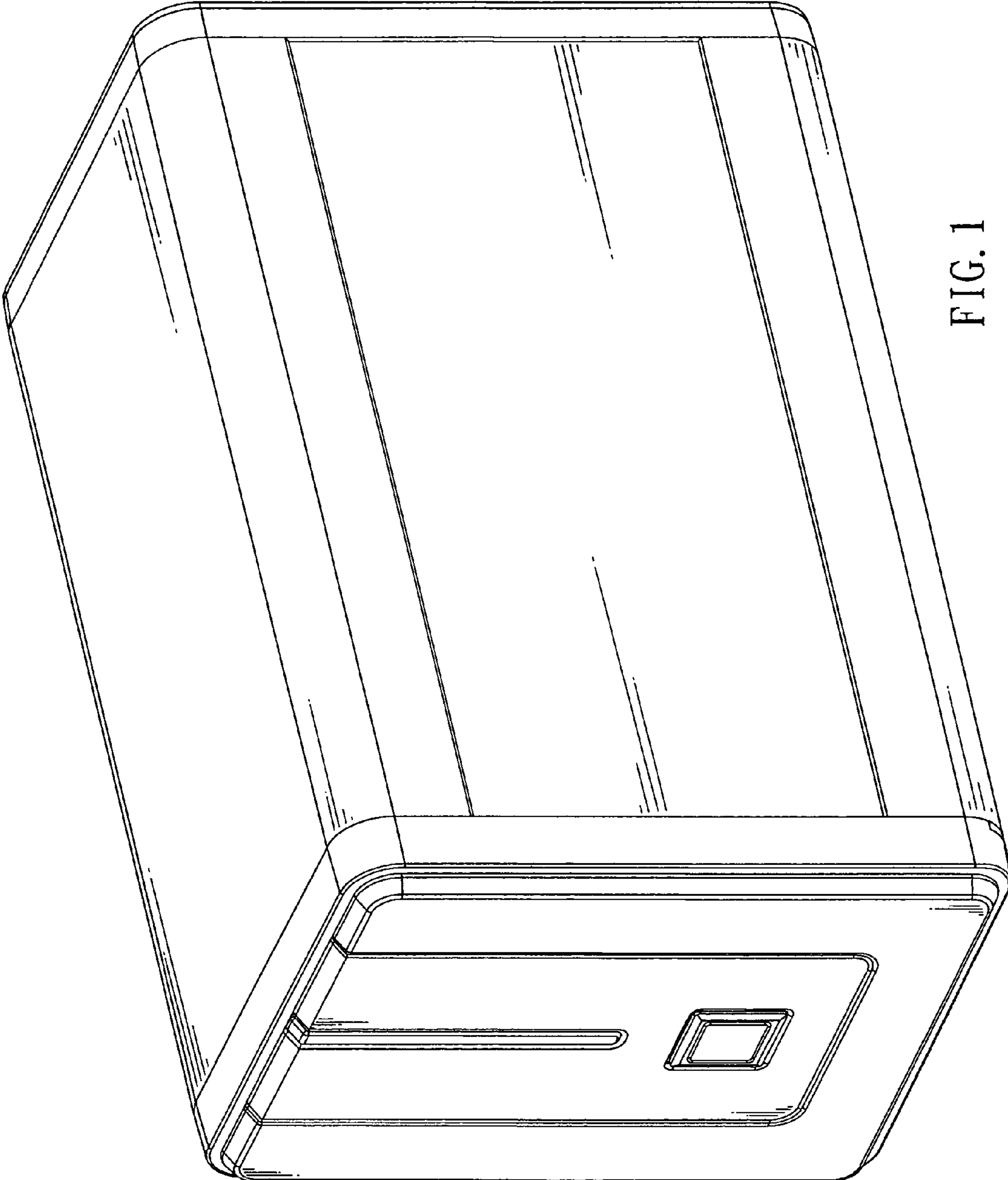


FIG. 1

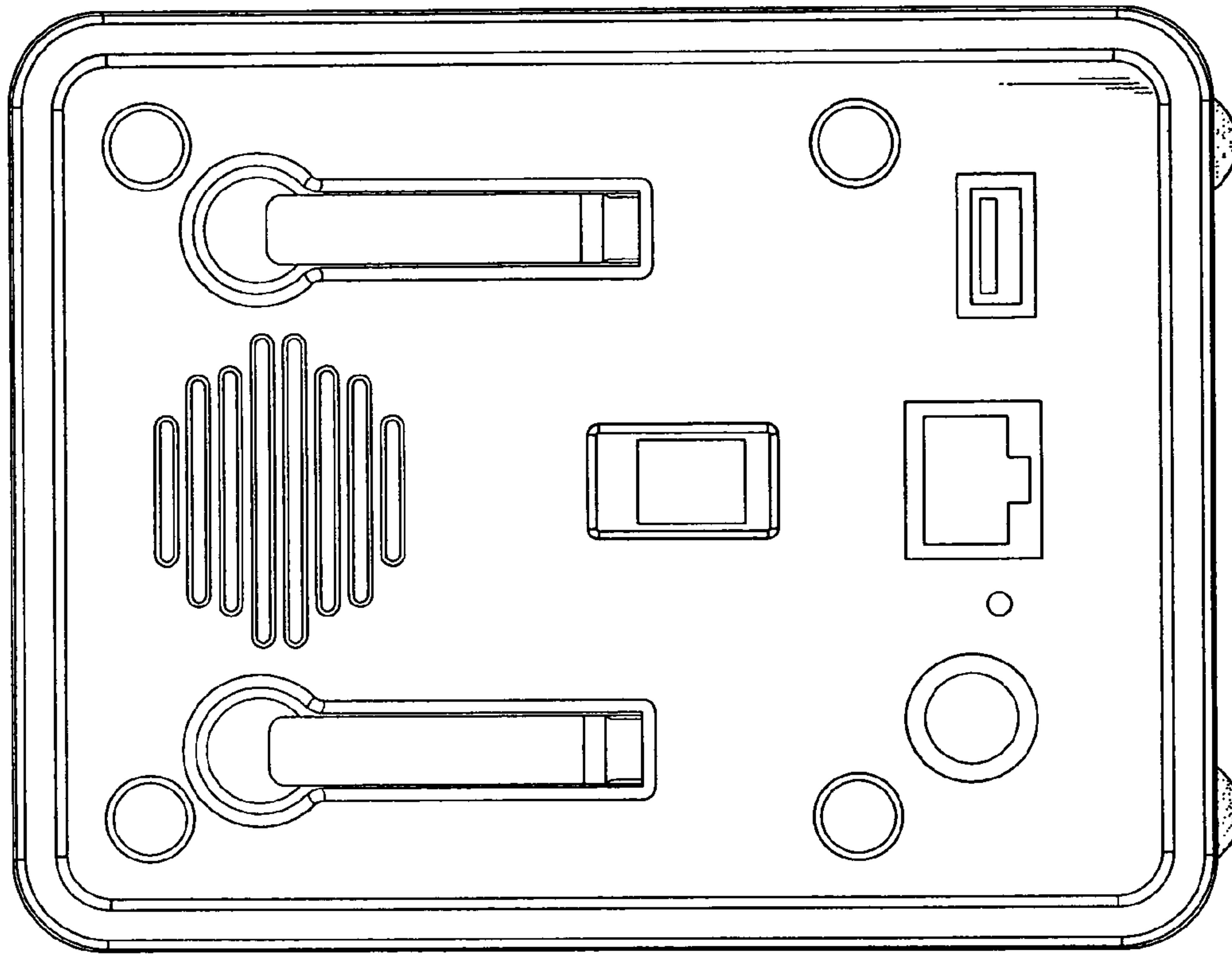


FIG. 3

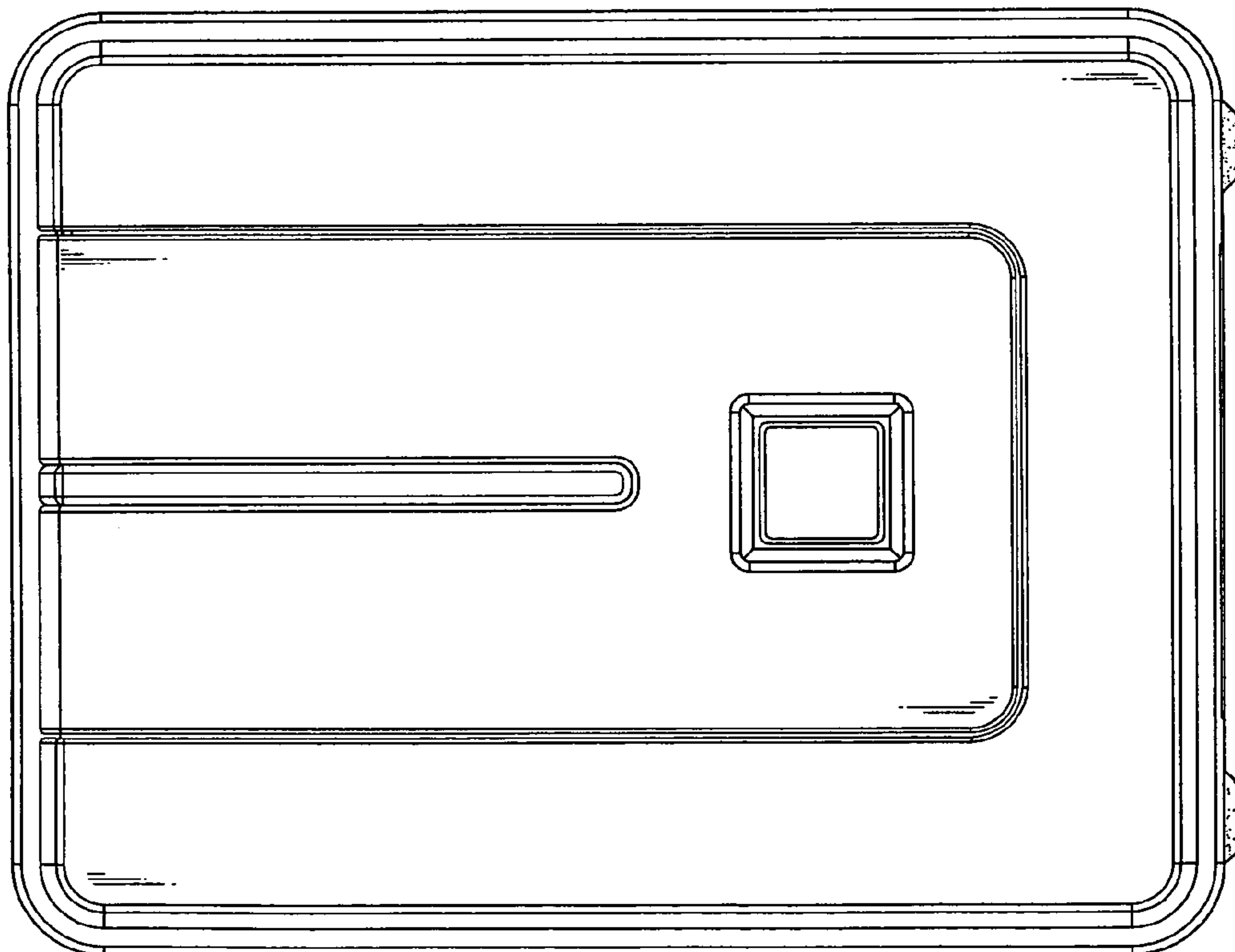


FIG. 2

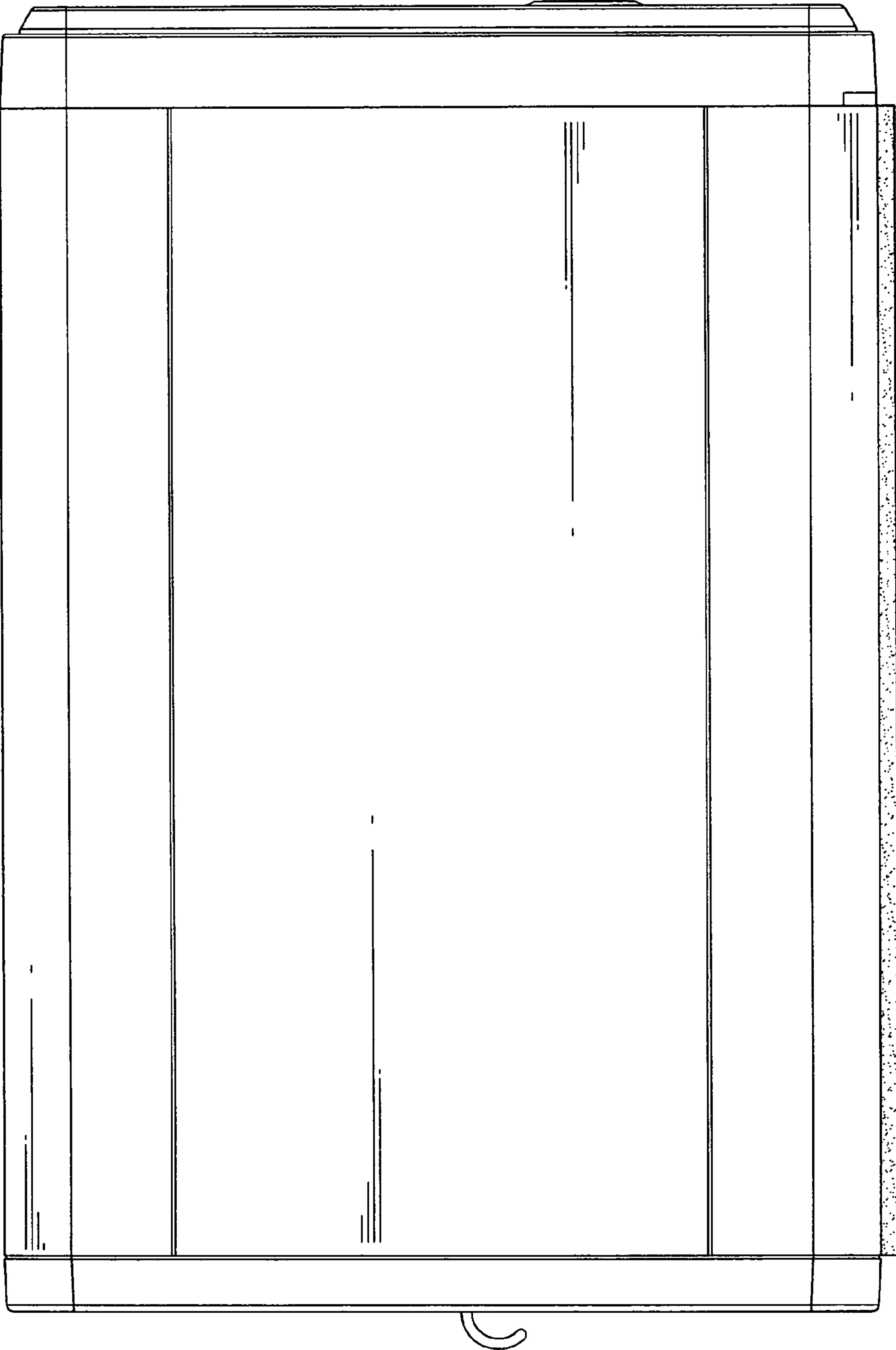


FIG. 4

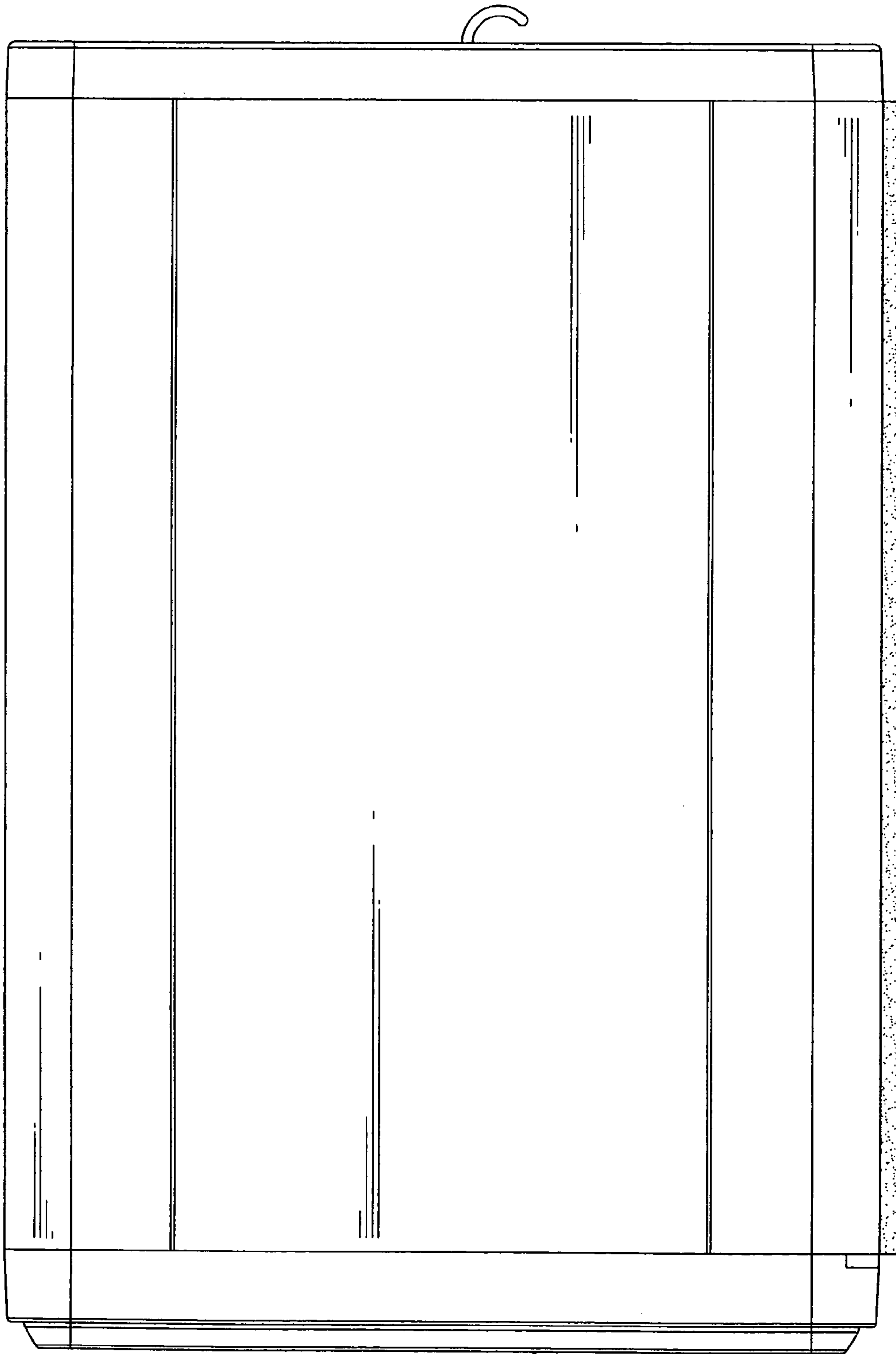


FIG. 5

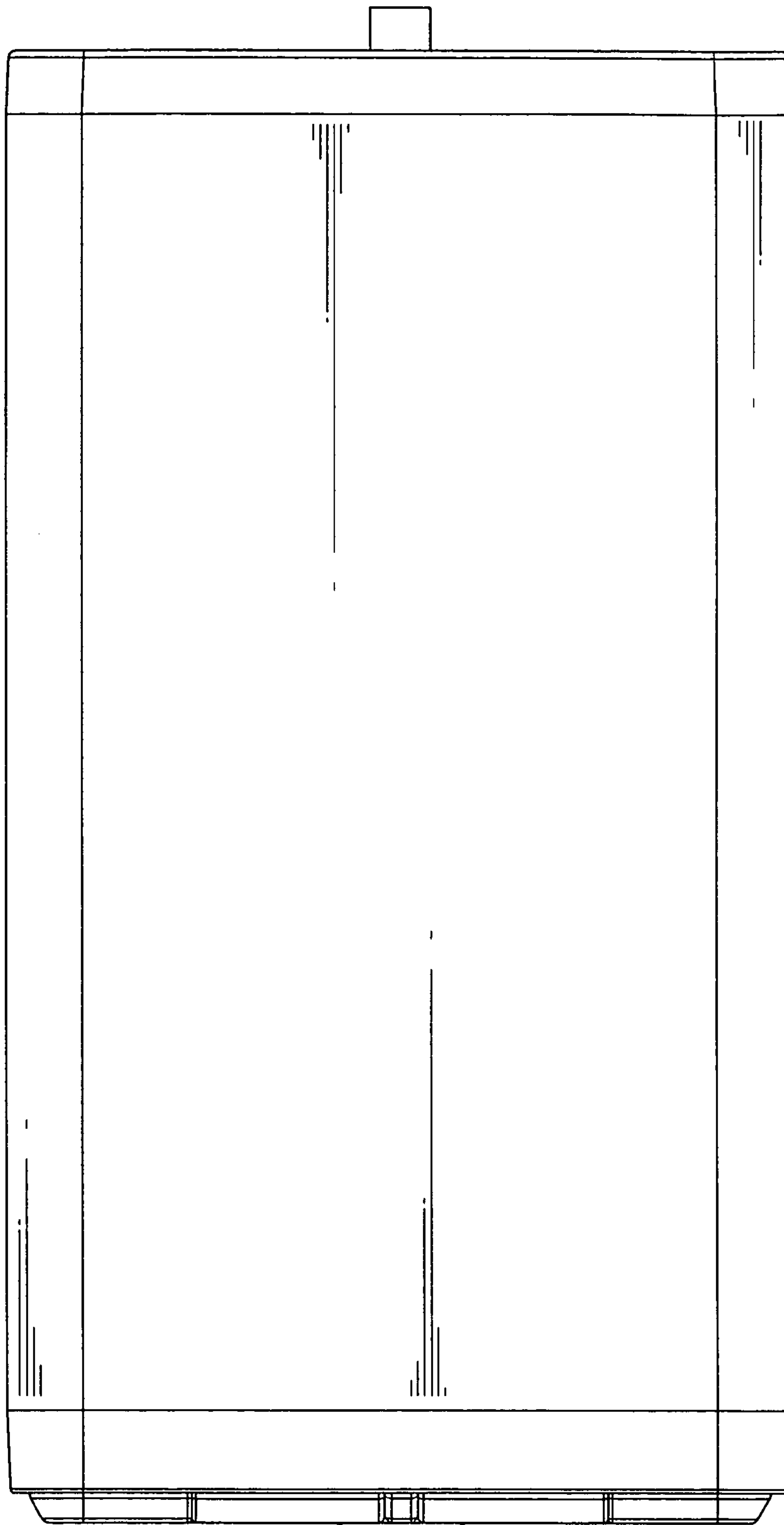


FIG. 6

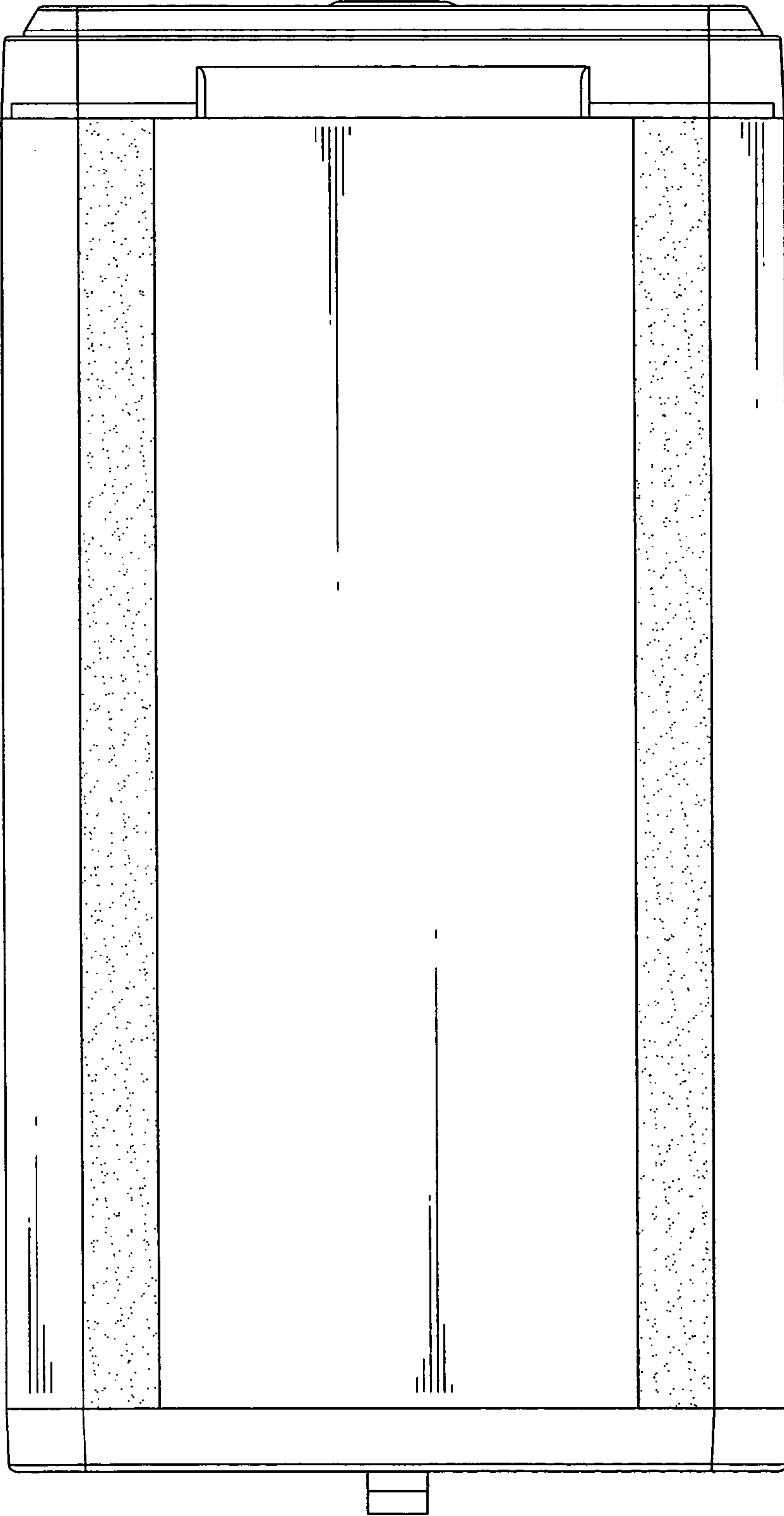


FIG. 7