



US00D568880S

(12) **United States Design Patent**
Husgafvel et al.

(10) **Patent No.:** **US D568,880 S**

(45) **Date of Patent:** **** May 13, 2008**

(54) **SET OF KEYS FOR A HANDSET**

(75) Inventors: **Ilkka Husgafvel**, Helsinki (FI);
Kenneth Bower, Vista, CA (US)

(73) Assignee: **Nokia Corporation**, Espoo (FI)

(**) Term: **14 Years**

(21) Appl. No.: **29/278,563**

(22) Filed: **Apr. 2, 2007**

Related U.S. Application Data

(63) Continuation of application No. 29/207,322, filed on Jun. 14, 2004, now Pat. No. Des. 543,200.

(51) **LOC (8) Cl.** **14-03**

(52) **U.S. Cl.** **D14/247**

(58) **Field of Classification Search** D14/137,
D14/138, 147-148, 247-248, 144, 218, 341-347,
D14/455, 456; 379/433.01-433.13, 434;
455/575.1, 566, 575.3, 556.1; D21/517,
D21/329, 331; 345/169

See application file for complete search history.

(56) **References Cited**

U.S. PATENT DOCUMENTS

D390,509 S	2/1998	Antzinas et al.
D424,060 S	5/2000	Baker et al.
D425,887 S	5/2000	Edwards et al.
D432,511 S	10/2000	Eckholm
D441,733 S	5/2001	Do et al.
D459,327 S	6/2002	Ali
D460,057 S	7/2002	Hunt
6,469,731 B1	10/2002	Saburi
D469,367 S	1/2003	Mirabelli et al.
D469,416 S	1/2003	Nam
D469,750 S	2/2003	Nam
D472,225 S	3/2003	Griffin
D479,212 S	9/2003	Eckholm
D479,514 S	9/2003	Chan
D480,697 S	10/2003	Lee et al.
D481,691 S	11/2003	Vuolteenaho
D482,010 S	11/2003	Nuovo et al.

D482,352 S	*	11/2003	Sinclair	D14/247
D484,475 S		12/2003	Sheu		
D484,477 S		12/2003	Salmi		
D484,865 S		1/2004	Arbisi		
D484,873 S	*	1/2004	Salmi	D14/247
D485,246 S		1/2004	Johansson et al.		
D487,438 S		3/2004	Sheu		
D488,143 S		4/2004	Ting et al.		

(Continued)

FOREIGN PATENT DOCUMENTS

EM 000119649-0001 4/2004

(Continued)

OTHER PUBLICATIONS

Alcatel OT-E157 Telephone, announced 1st quarter 2005, [online], [retrieved on Sep. 29, 2006]. Retrieved from Internet, <<http://www.gsmarana.com>>.

(Continued)

Primary Examiner—Jeffrey Asch
(74) *Attorney, Agent, or Firm*—Banner & Witcoff, Ltd.

(57) **CLAIM**

The ornamental design for a set of keys for a handset, as shown and described.

DESCRIPTION

FIG. 1 is a front view of a set of keys for a handset showing our new design;

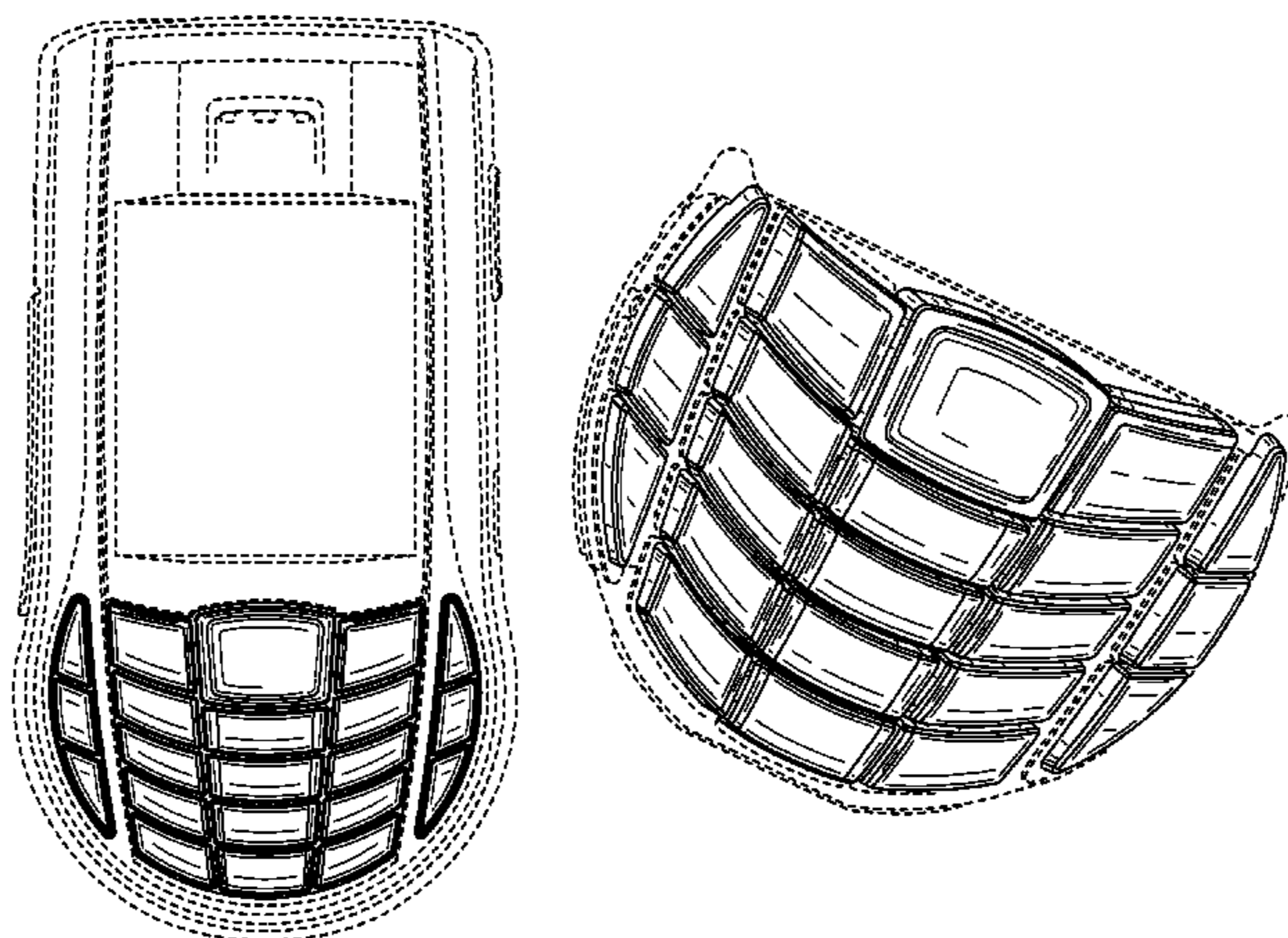
FIG. 2 is a perspective front view thereof;

FIG. 3 is a front perspective of a second embodiment of a set of keys for a handset showing our new design; and,

FIG. 4 is a perspective front view thereof.

The broken line showing of environmental structure in the Figures for illustrative purposes only and forms no part of the claimed design.

1 Claim, 3 Drawing Sheets



US D568,880 S

U.S. PATENT DOCUMENTS

D488,789 S 4/2004 Lee
 D490,791 S 6/2004 Pitt et al.
 D492,274 S 6/2004 Widiaman
 D492,276 S 6/2004 Walliser et al.
 D494,561 S 8/2004 Kagami et al.
 D494,949 S 8/2004 Arnholt et al.
 D494,950 S 8/2004 Keunecke
 D495,672 S 9/2004 Jeon et al.
 D496,343 S 9/2004 Lin et al.
 D496,641 S 9/2004 Seo
 D496,921 S 10/2004 Hwang
 D499,721 S * 12/2004 Leith et al. D14/247
 D500,749 S 1/2005 Kim
 D500,992 S 1/2005 Shen et al.
 D502,162 S 2/2005 Kim et al.
 D502,455 S 3/2005 Brandis et al.
 D502,691 S 3/2005 Fuxen
 D502,933 S 3/2005 Munstermann
 D503,162 S 3/2005 Kagami et al.
 D503,163 S 3/2005 Chan et al.
 D504,879 S 5/2005 Moss
 D505,417 S * 5/2005 Wang et al. D14/247
 D505,934 S 6/2005 Gonser
 D506,190 S 6/2005 Mehandjiysky
 D506,191 S 6/2005 Majanen
 D507,562 S 7/2005 Kim
 D507,563 S * 7/2005 Moss D14/247
 D512,398 S * 12/2005 Chen et al. D14/138
 D512,975 S * 12/2005 Tsai et al. D14/138
 D514,539 S 2/2006 Lai et al.
 D514,540 S 2/2006 Lai et al.
 D515,540 S 2/2006 Geng et al.
 D516,049 S 2/2006 Hwang
 D516,547 S * 3/2006 Tyneski et al. D14/247
 D517,518 S 3/2006 Nakajima et al.
 D518,458 S 4/2006 Husgafvel et al.
 D518,805 S * 4/2006 Viitasaari D14/138
 D518,806 S 4/2006 Husgafvel
 D520,486 S * 5/2006 Kim et al. D14/138
 D521,506 S 5/2006 Tyneski et al.
 D522,988 S 6/2006 Sheu
 D522,991 S * 6/2006 Yun et al. D14/138
 D523,006 S * 6/2006 Corley et al. D14/247
 D524,279 S * 7/2006 Lai D14/138
 D524,777 S 7/2006 Lyles
 D524,779 S 7/2006 Lyles

D524,803 S 7/2006 Tyneski et al.
 D526,295 S 8/2006 Lyles
 D527,726 S * 9/2006 Viitasaari D14/247
 D529,022 S * 9/2006 Lyles D14/247
 D529,486 S * 10/2006 Kangasmaa et al. D14/247
 D530,318 S * 10/2006 Kangasmaa D14/247
 D539,791 S * 4/2007 Sheu D14/247
 D543,198 S * 5/2007 Hering D14/247
 D543,200 S * 5/2007 Husgafvel et al. D14/248
 D543,201 S * 5/2007 Husgafvel D14/248
 2002/0190957 A1 12/2002 Lee et al.
 2003/0083021 A1 * 5/2003 Hsu et al. 455/90
 2004/0185921 A1 9/2004 Tomaghi
 2004/0224722 A1 11/2004 Lee
 2005/0057520 A1 3/2005 Robinson
 2005/0079895 A1 4/2005 Kalenius et al.
 2005/0083642 A1 4/2005 Senpuku et al.

FOREIGN PATENT DOCUMENTS

EM	000119649-0002	4/2004
EM	000119649-0003	4/2004
EM	000119649-0004	4/2004
EM	000119656-0001	10/2005
EM	000119656-0002	10/2005
EM	000119656-0003	10/2005
EM	000119656-0004	10/2005
EM	000119656-0005	10/2005
WO	DM/065946	11/2004
WO	DM/066071	11/2004
WO	DM/066599	4/2005

OTHER PUBLICATIONS

Siemens AX75 Telephone, announced 1st quarter 2005, [online], [retrieved on Sep. 29, 2006]. Retrieved from Internet, <<http://www.gsmarana.com>>.
 Samsung X700 Telephone, announced 1st quarter 2005, [online], [retrieved on Sep. 29, 2006]. Retrieved from Internet, <<http://www.gsmarana.com>>.
 <<http://www.mobiletechnews.com>>, Nokia 6630G Megapixel phone, posted Jun. 14, 2004.
 Nokia 6630 telephone, announced 2nd quarter 2004, [online], [retrieved on Sep. 29, 2006]. Retrieved from Internet, <<http://www.gsmarena.com>>.
 Bird S580 telephone, announced 1st quarter 2005, [online], [retrieved on Sep. 29, 2006]. Retrieved from Internet, <<http://www.gsmarena.com>>.

* cited by examiner

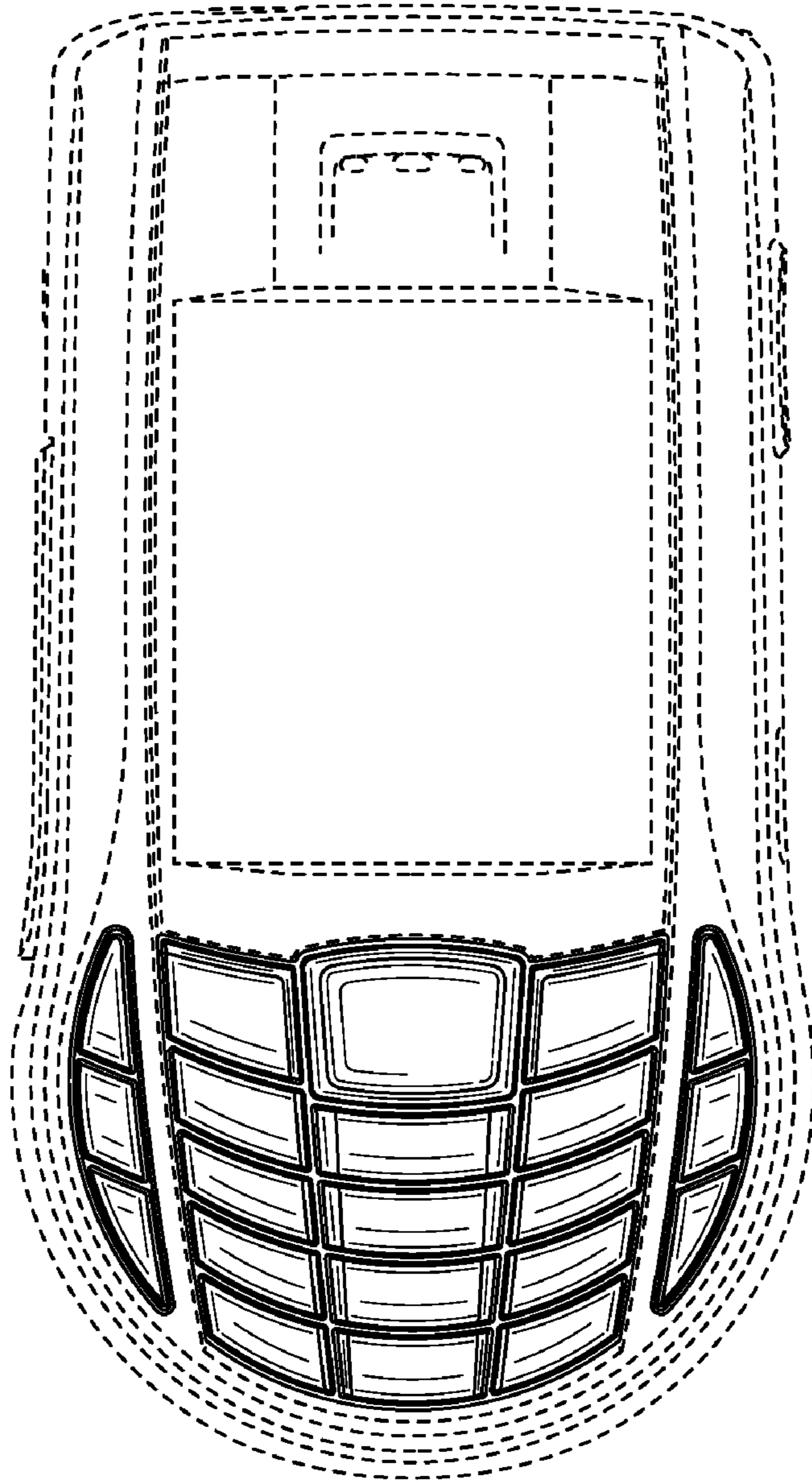


FIG. 1

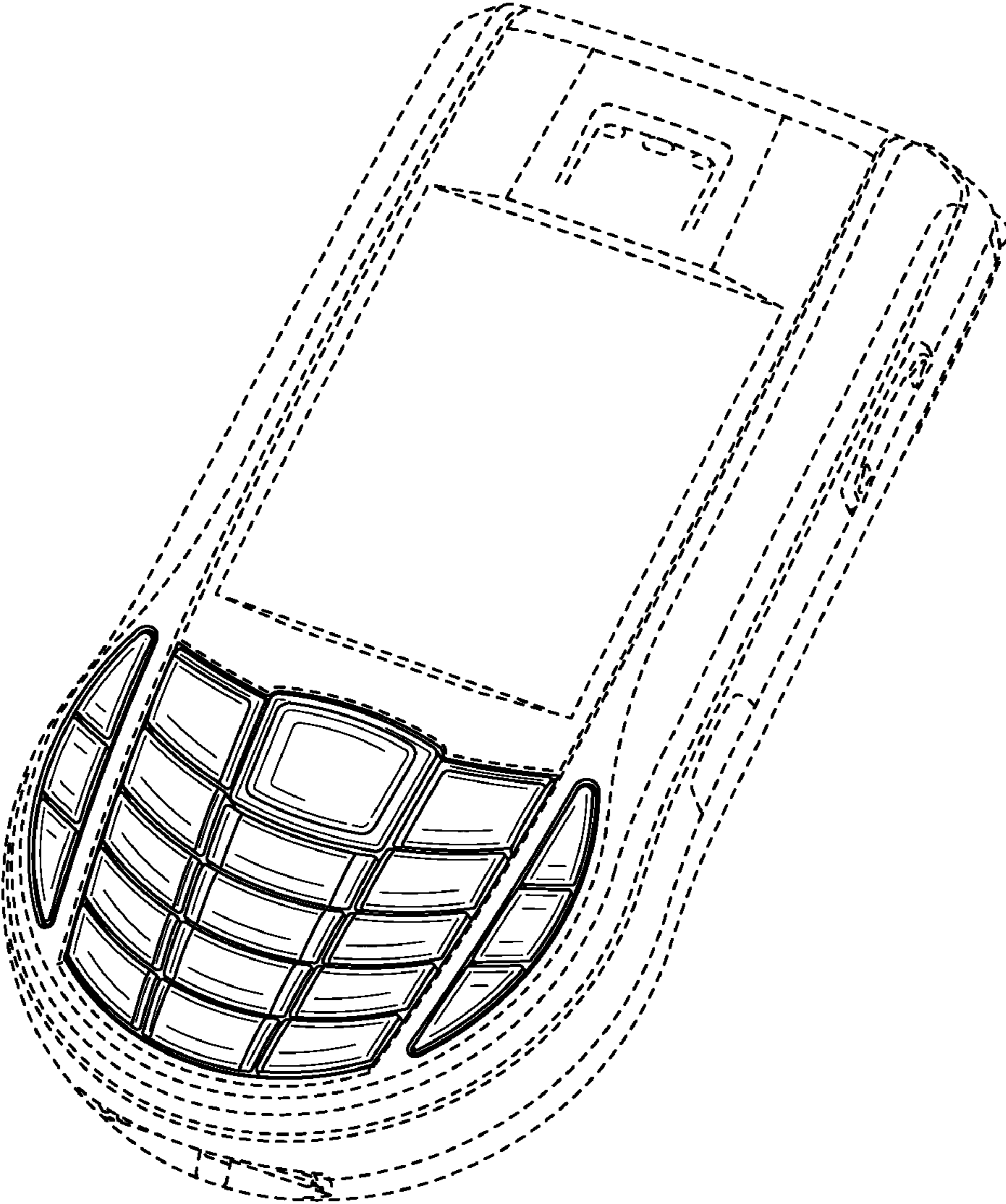


FIG. 2

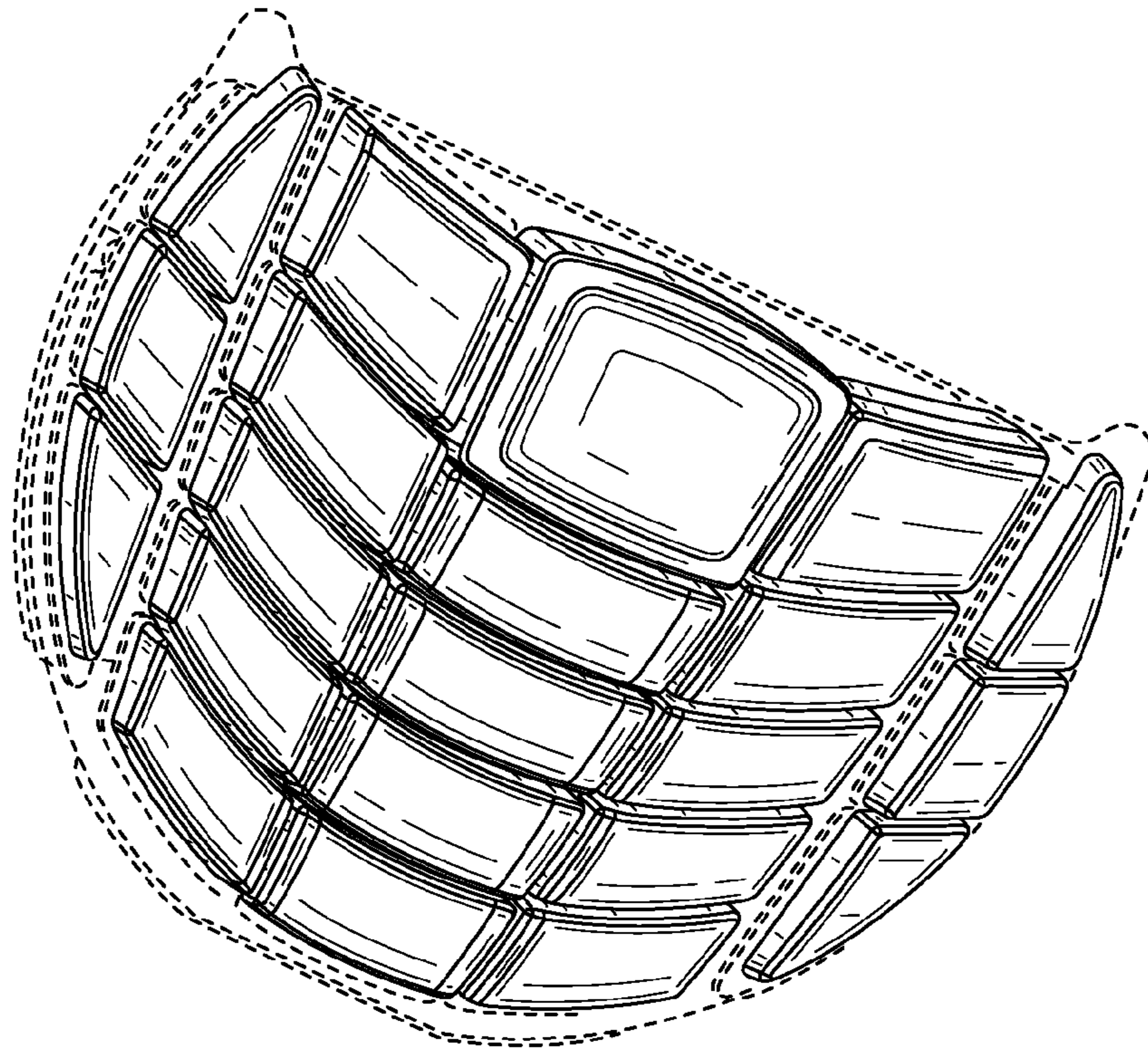


FIG. 3

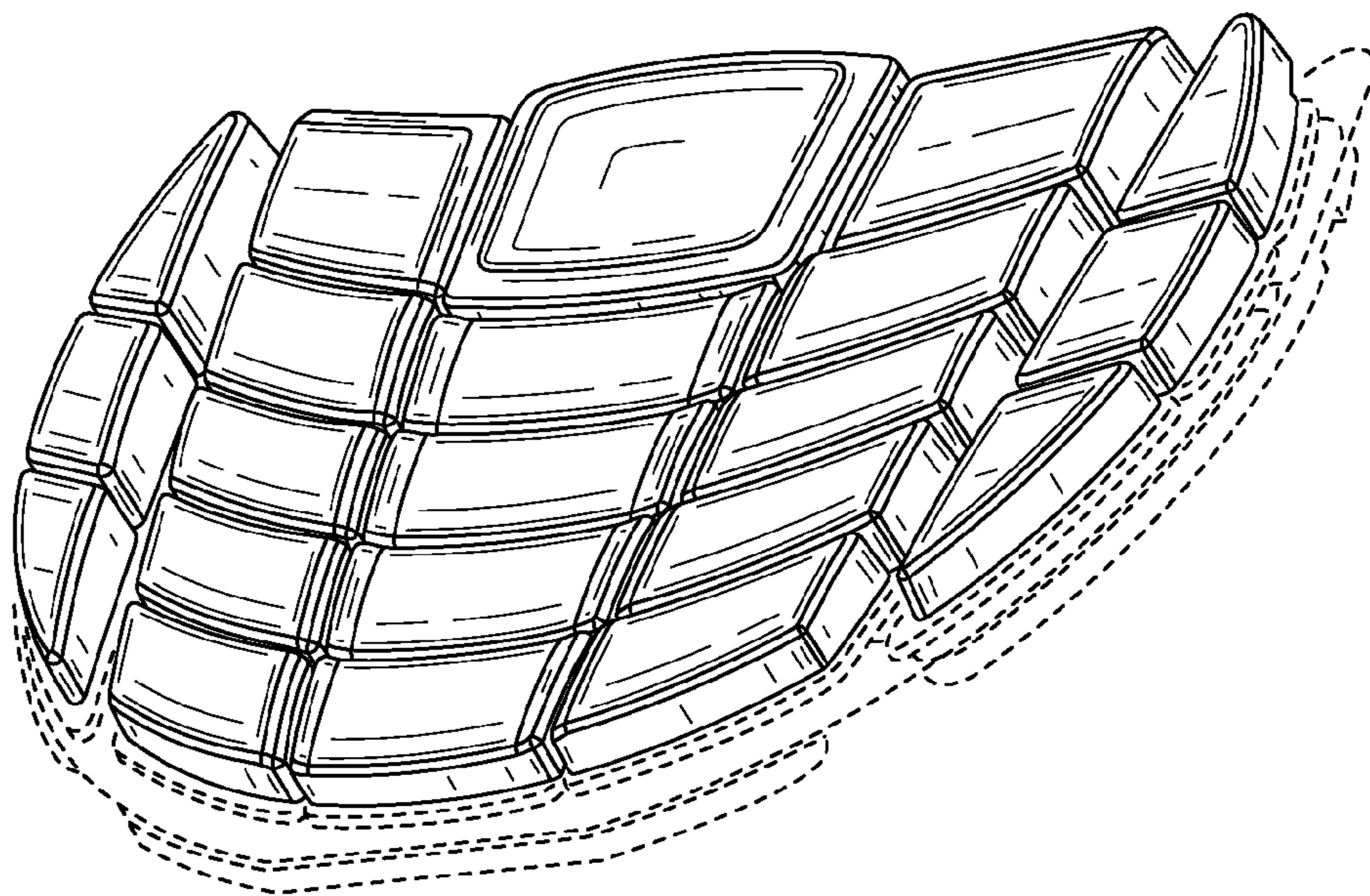


FIG. 4