



US00D568877S

(12) **United States Design Patent**
Bodley et al.

(10) **Patent No.:** **US D568,877 S**

(45) **Date of Patent:** **** May 13, 2008**

(54) **PERSONAL WIRELESS MICROPHONE**

(75) Inventors: **Martin R. Bodley**, Sudbury, MA (US);
Jean-Pierre Carney, Sudbury, MA
(US)

(73) Assignee: **Revolabs, Inc.**, Maynard, MA (US)

(**) Term: **14 Years**

(21) Appl. No.: **29/248,721**

(22) Filed: **Aug. 30, 2006**

(51) **LOC (8) Cl.** **14-01**

(52) **U.S. Cl.** **D14/225**

(58) **Field of Classification Search** D14/224–229,
D14/137–138, 147, 155, 172, 184, 191, 197,
D14/217–218, 240, 242, 441, 443; D13/184;
181/158, 242; 379/430–432; 381/174, 176,
381/242, 355, 357, 369

See application file for complete search history.

(56) **References Cited**

U.S. PATENT DOCUMENTS

D269,088 S *	5/1983	Genaro et al.	D14/137
D278,333 S *	4/1985	Takata	D14/225
D280,494 S *	9/1985	Abel	D10/106
D280,896 S *	10/1985	Campbell et al.	D14/155
D281,975 S *	12/1985	Oyamada	D14/197
D303,638 S *	9/1989	Andrews et al.	D10/106

D304,191 S *	10/1989	Sekine	D14/192
4,876,537 A *	10/1989	Oyamada	340/7.63
5,089,808 A *	2/1992	Amirdash	340/573.7
D355,895 S *	2/1995	Soren et al.	D14/240
D496,030 S *	9/2004	Harbeke	D14/225
D541,784 S *	5/2007	Cho et al.	D14/138

* cited by examiner

Primary Examiner—Paula A Greene

(74) *Attorney, Agent, or Firm*—Nutter McClennen & Fish
LLP

(57) **CLAIM**

The ornamental design for a personal wireless microphone,
as shown.

DESCRIPTION

FIG. 1 is a front view of a personal wireless microphone of
the present invention;

FIG. 2 is a side view of a personal wireless microphone of
the present invention;

FIG. 3 is a back view of a personal wireless microphone of
the present invention;

FIG. 4 is a top view of a personal wireless microphone of the
present invention; and,

FIG. 5 is a bottom view of a personal wireless microphone
of the present invention.

1 Claim, 4 Drawing Sheets

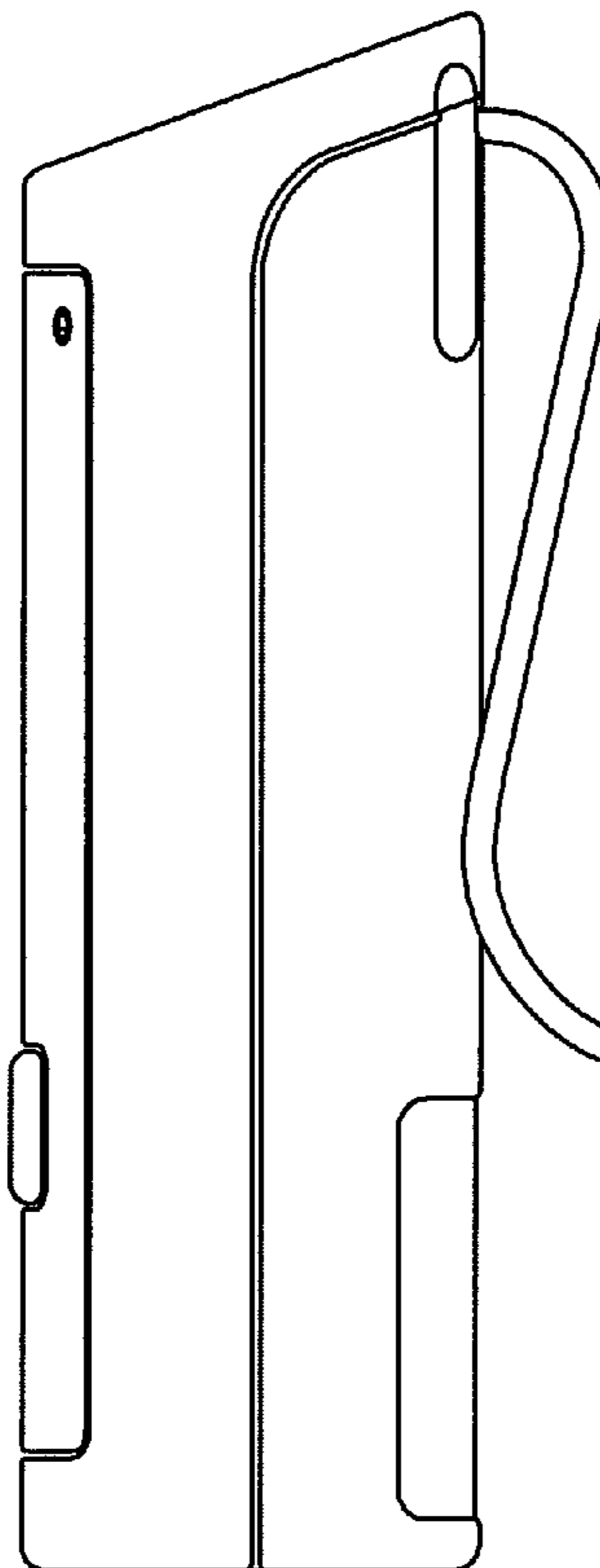
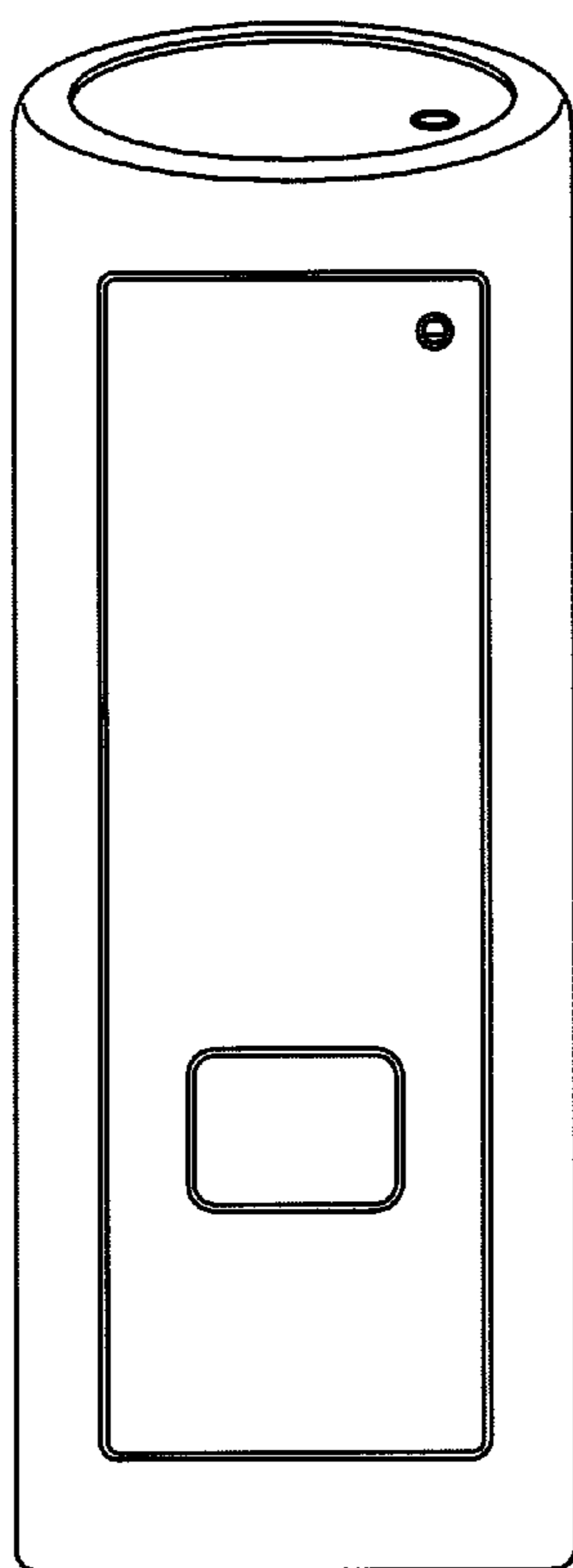


FIG. 1

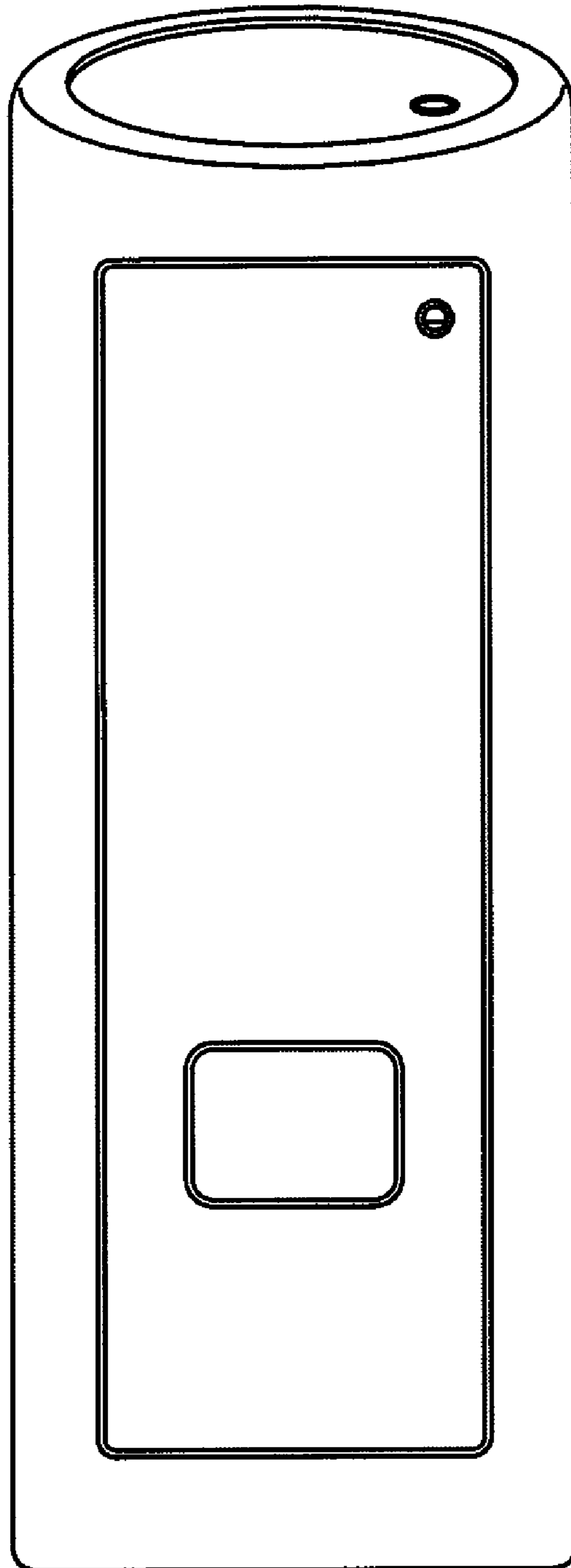


FIG. 2

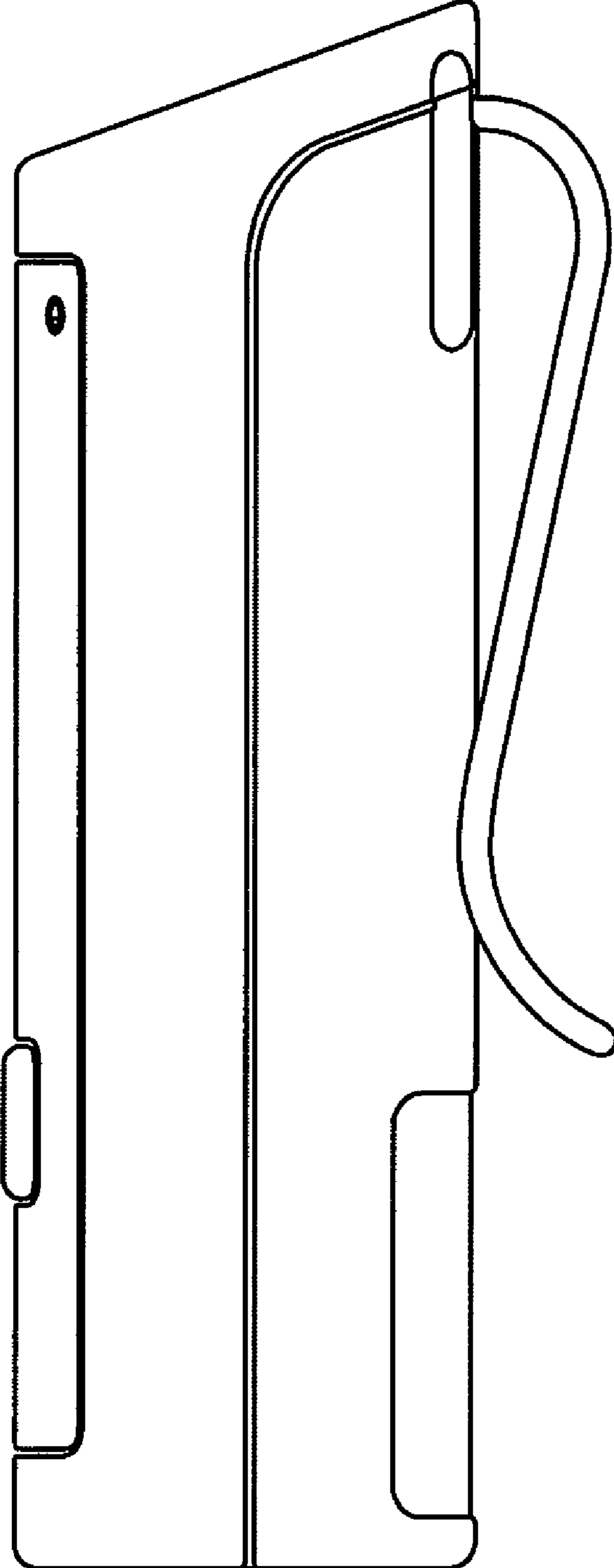


FIG. 3

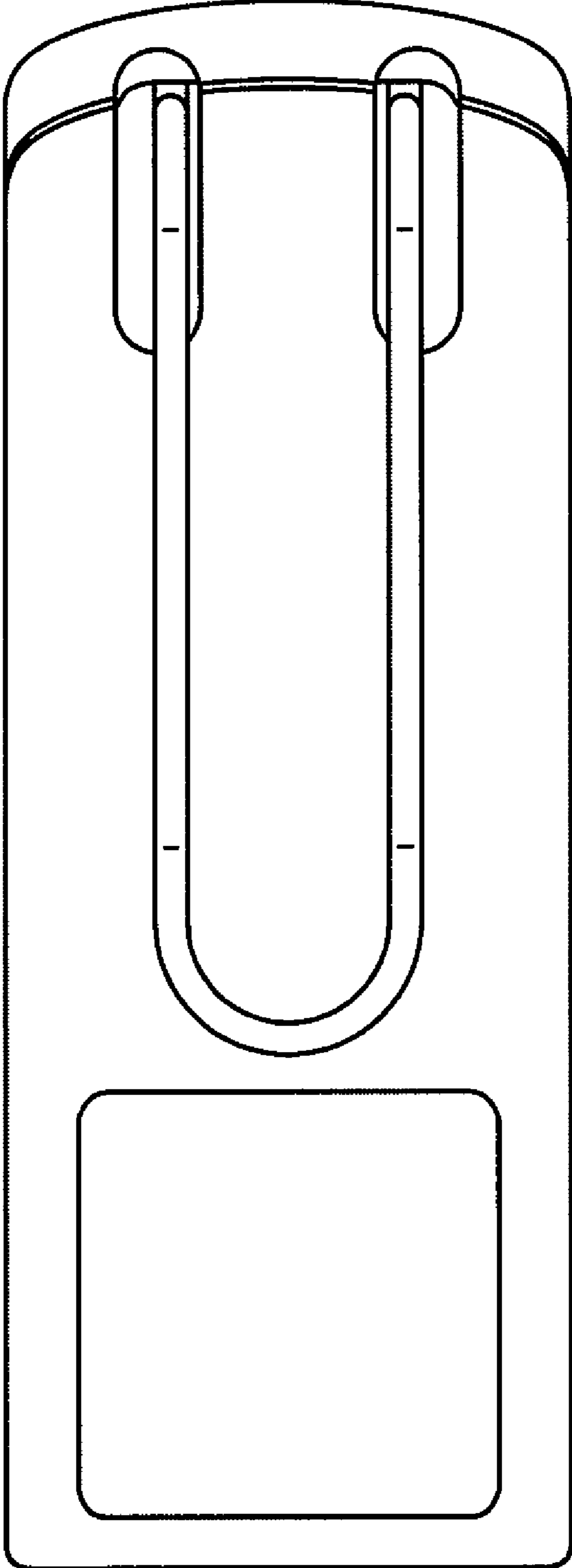


FIG. 4

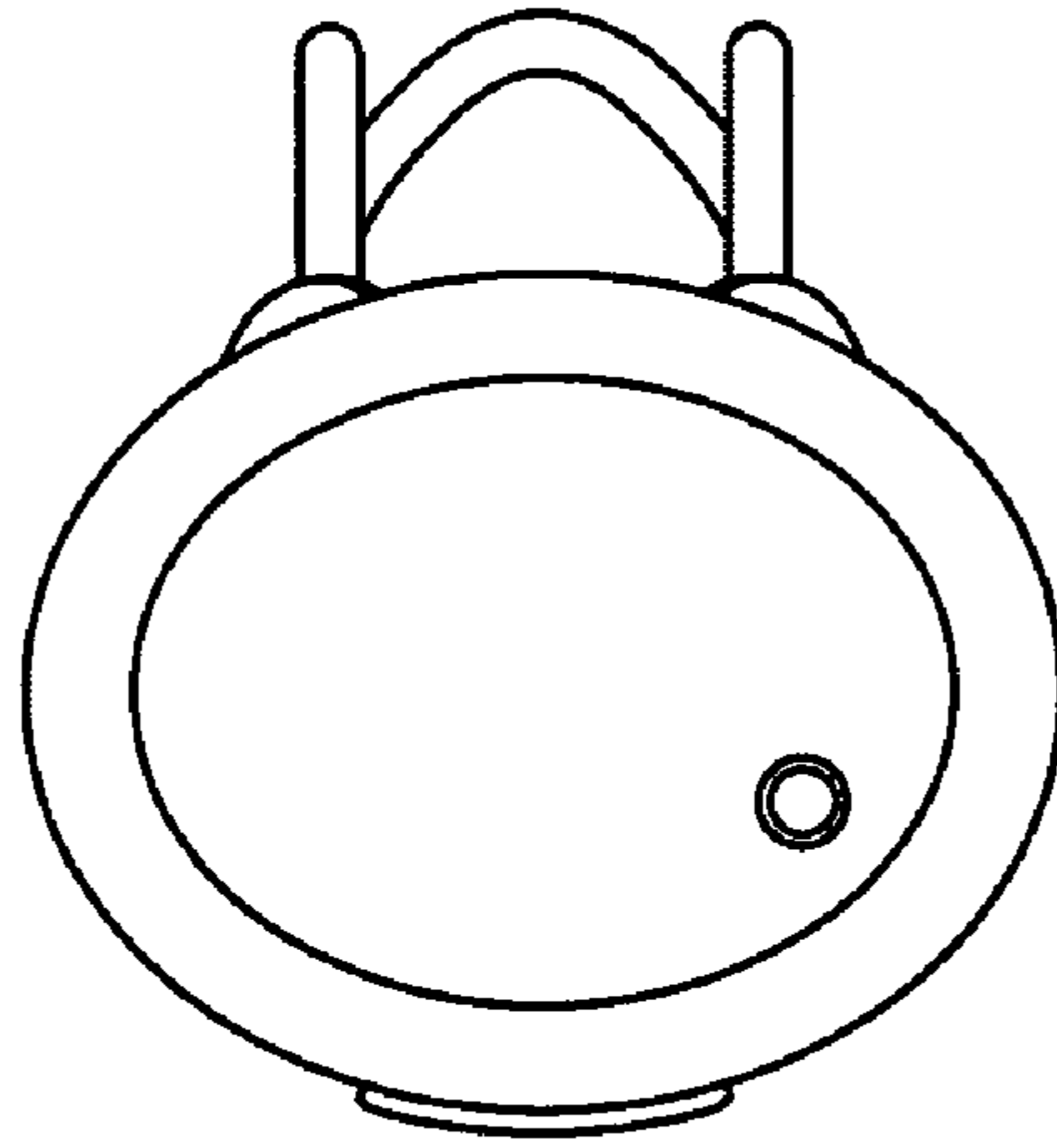


FIG. 5

