

US00D568876S

(12) **United States Design Patent**  
**Tsai et al.**

(10) **Patent No.:** **US D568,876 S**

(45) **Date of Patent:** **\*\* May 13, 2008**

(54) **WIRELESS EARPHONE**

D539,787 S \* 4/2007 Kim et al. .... D14/223  
D550,215 S \* 9/2007 Udagawa et al. .... D14/223  
D553,613 S \* 10/2007 Sade et al. .... D14/223

(75) Inventors: **Tse-Ming Tsai**, Sindian (TW);  
**Shang-Hsing Chung**, Sindian (TW)

\* cited by examiner

(73) Assignee: **Cal-Comp Electronics & Communications Company Limited**,  
Taipei County (TW)

*Primary Examiner*—Paula A. Greene  
(74) *Attorney, Agent, or Firm*—Rosenberg, Klein & Lee

(\*\*) Term: **14 Years**

(57) **CLAIM**

(21) Appl. No.: **29/274,211**

The ornamental design for a “wireless earphone,” as shown and described.

(22) Filed: **Apr. 5, 2007**

**DESCRIPTION**

(51) **LOC (8) Cl.** ..... **14-01**

FIG. 1 is a perspective view of a “wireless earphone” showing my new design;

(52) **U.S. Cl.** ..... **D14/223**

FIG. 2 is a front view thereof;

(58) **Field of Classification Search** ..... D14/205–206,  
D14/223, 188, 192; 181/128, 129, 130, 135;  
379/330, 381, 430, 433; D24/174, 175; 381/330,  
381/370, 375–379, 380, 381, 385, 387  
See application file for complete search history.

FIG. 3 is a rear view thereof;

FIG. 4 is a left side view thereof;

FIG. 5 is a right side view thereof;

FIG. 6 is a top view thereof;

FIG. 7 is a bottom view thereof; and,

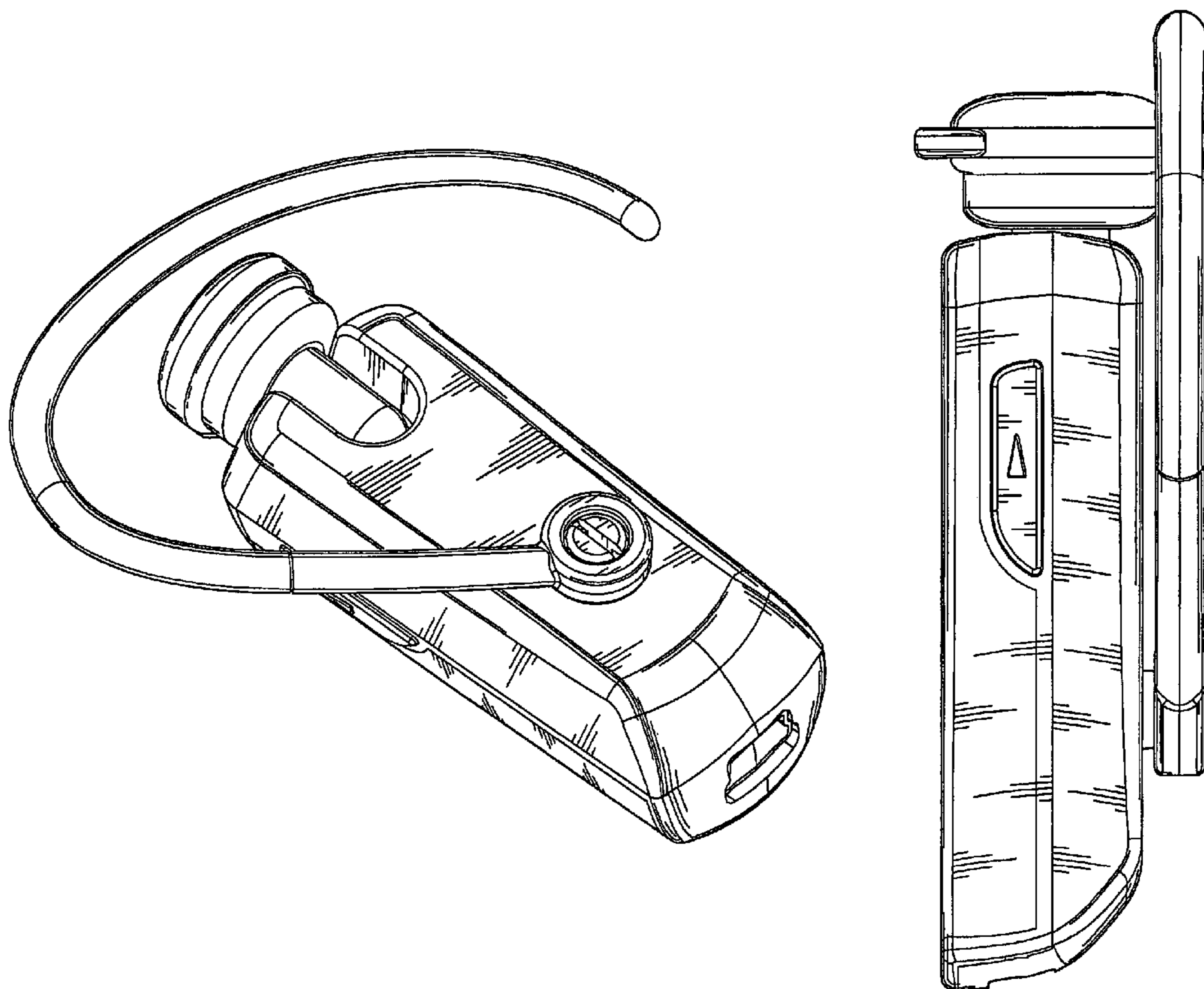
FIG. 8 is a perspective view showing the practical usage thereof.

(56) **References Cited**

**U.S. PATENT DOCUMENTS**

2,474,135 A \* 6/1949 White ..... 381/381  
5,210,792 A \* 5/1993 Kajihara ..... 379/430  
5,708,724 A \* 1/1998 Burris et al. .... 381/370  
D533,540 S \* 12/2006 Murray ..... D14/205

**1 Claim, 6 Drawing Sheets**



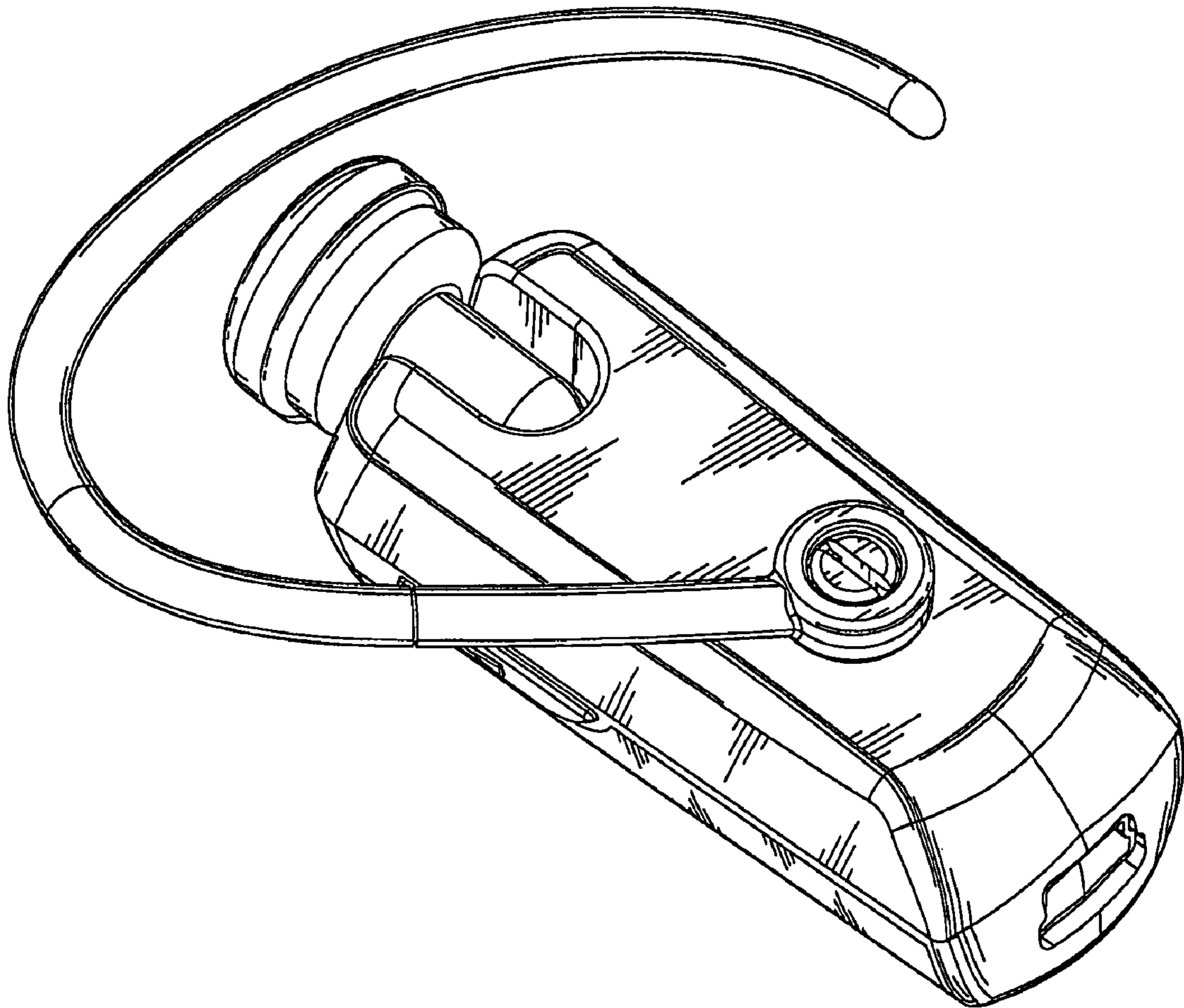


FIG. 1

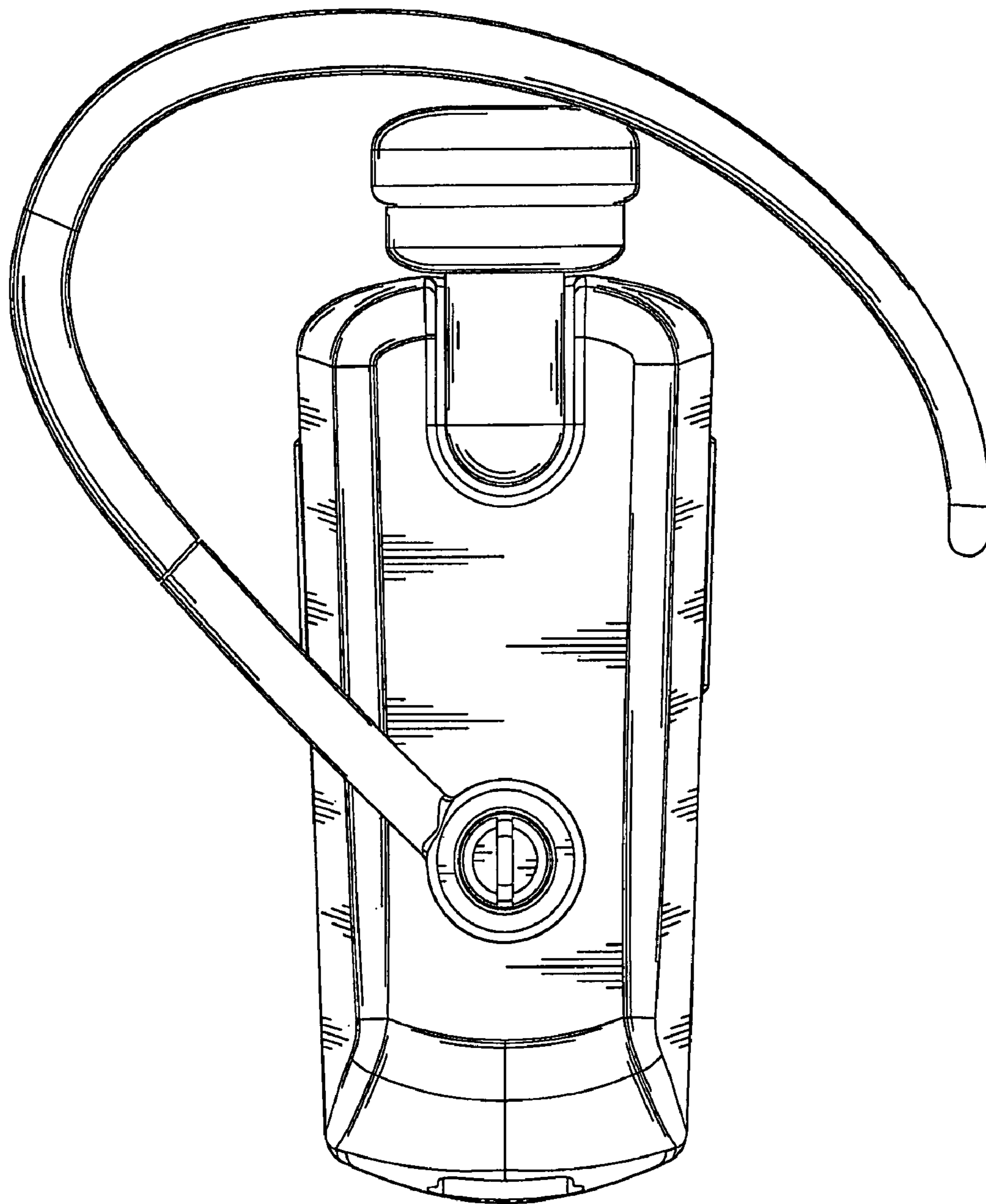


FIG. 2

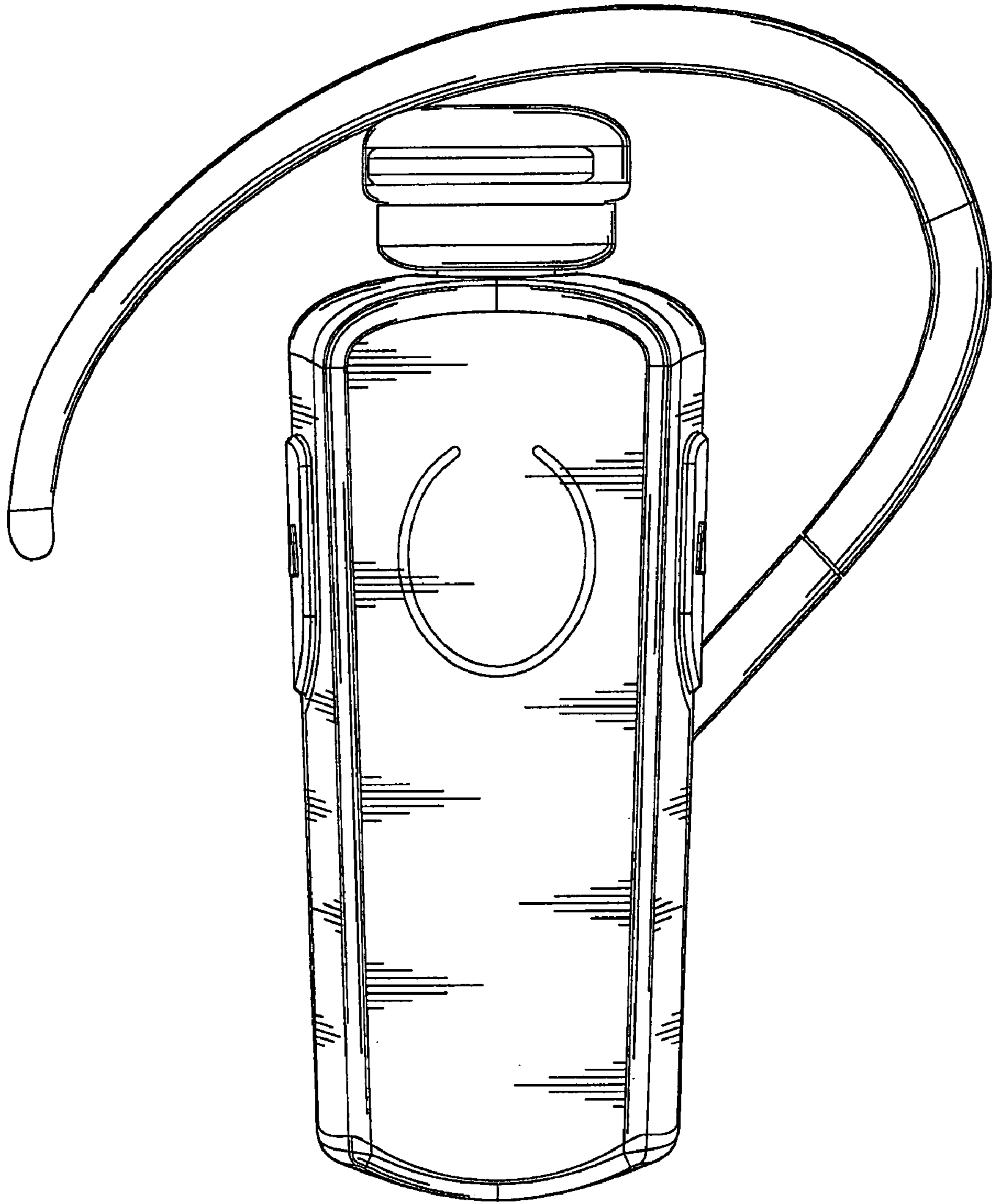


FIG. 3



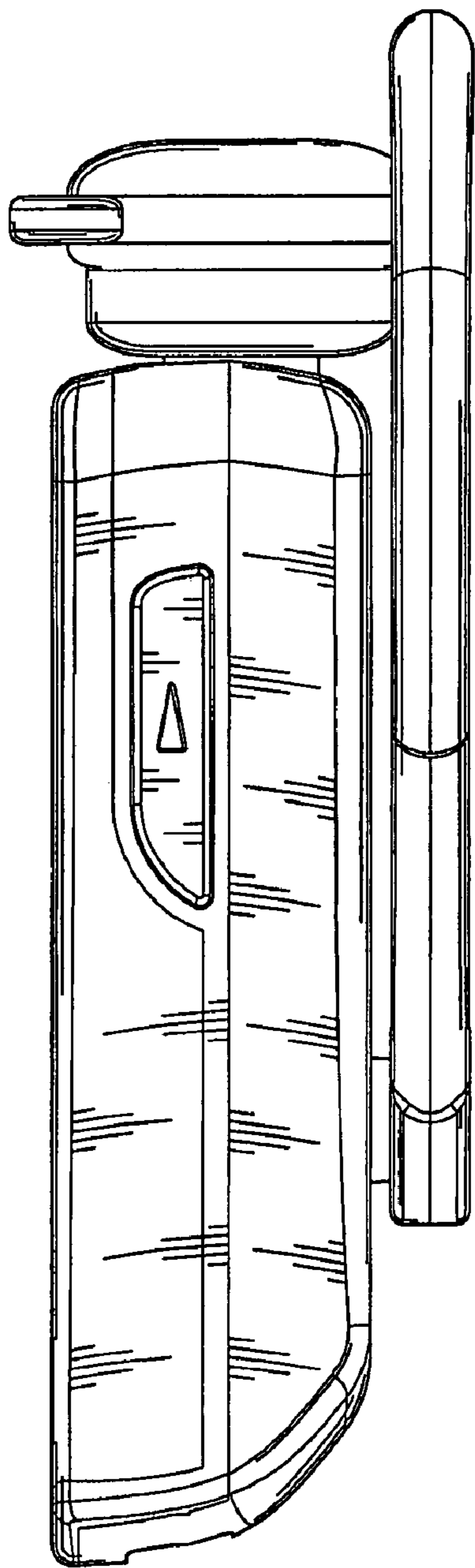


FIG. 4

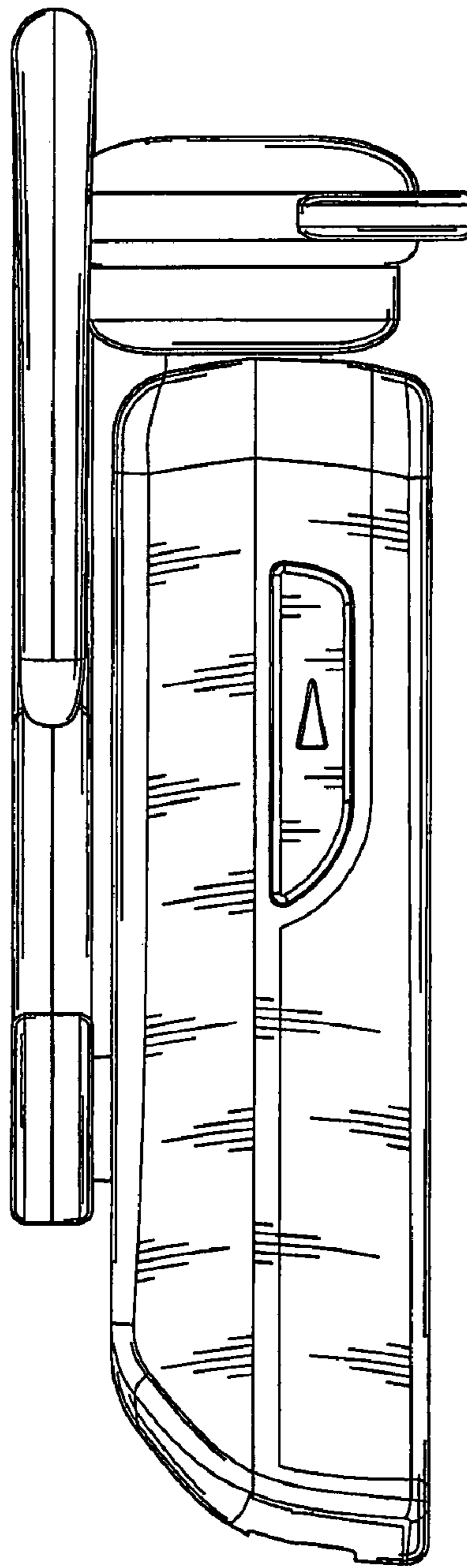


FIG. 5

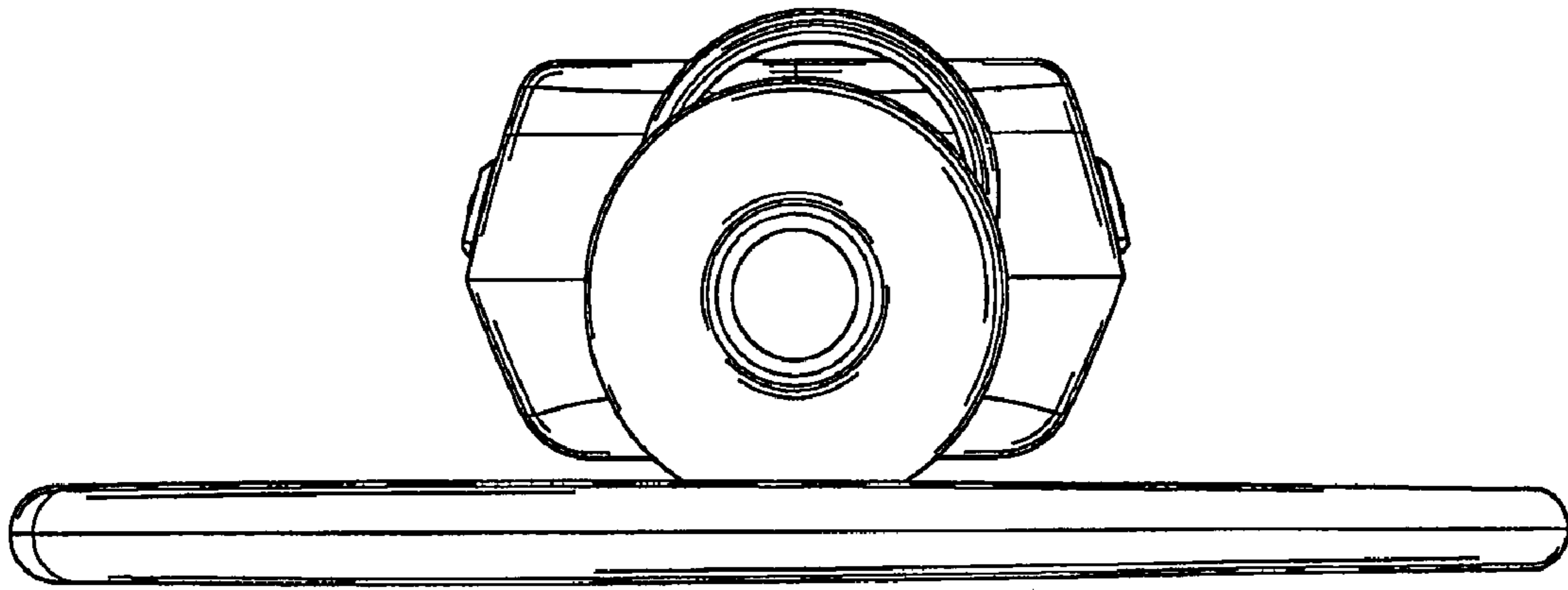


FIG. 6

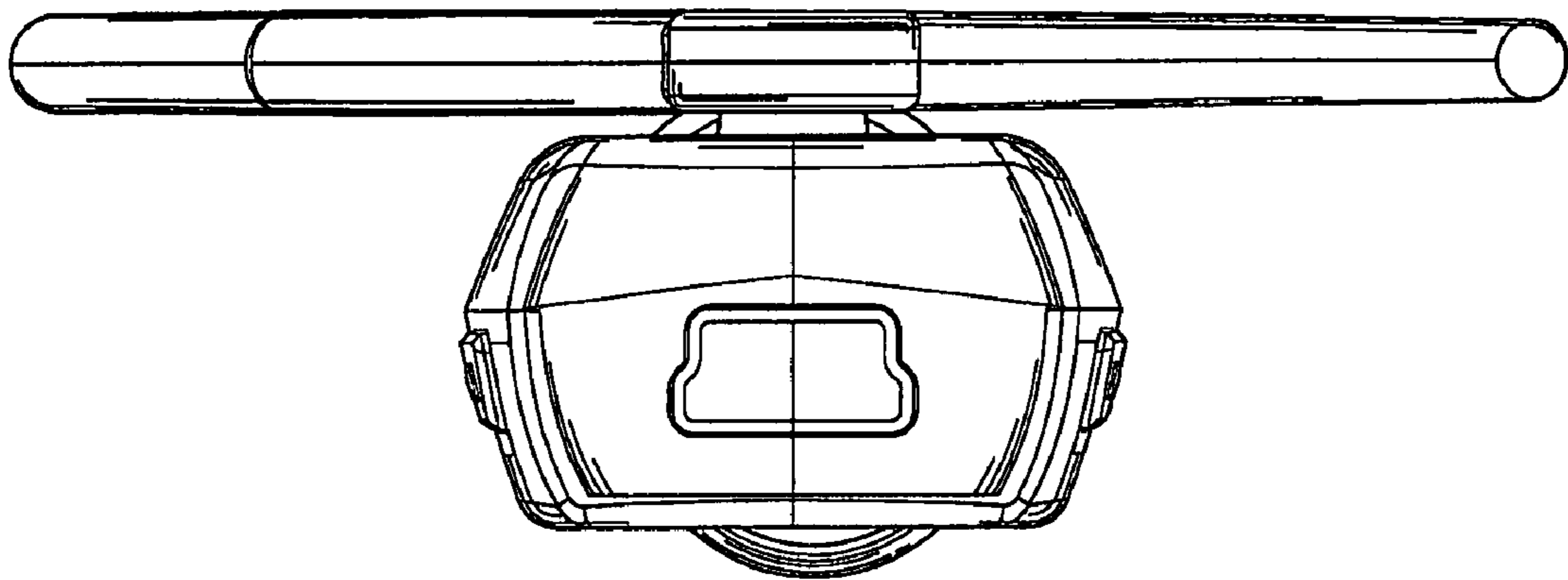


FIG. 7

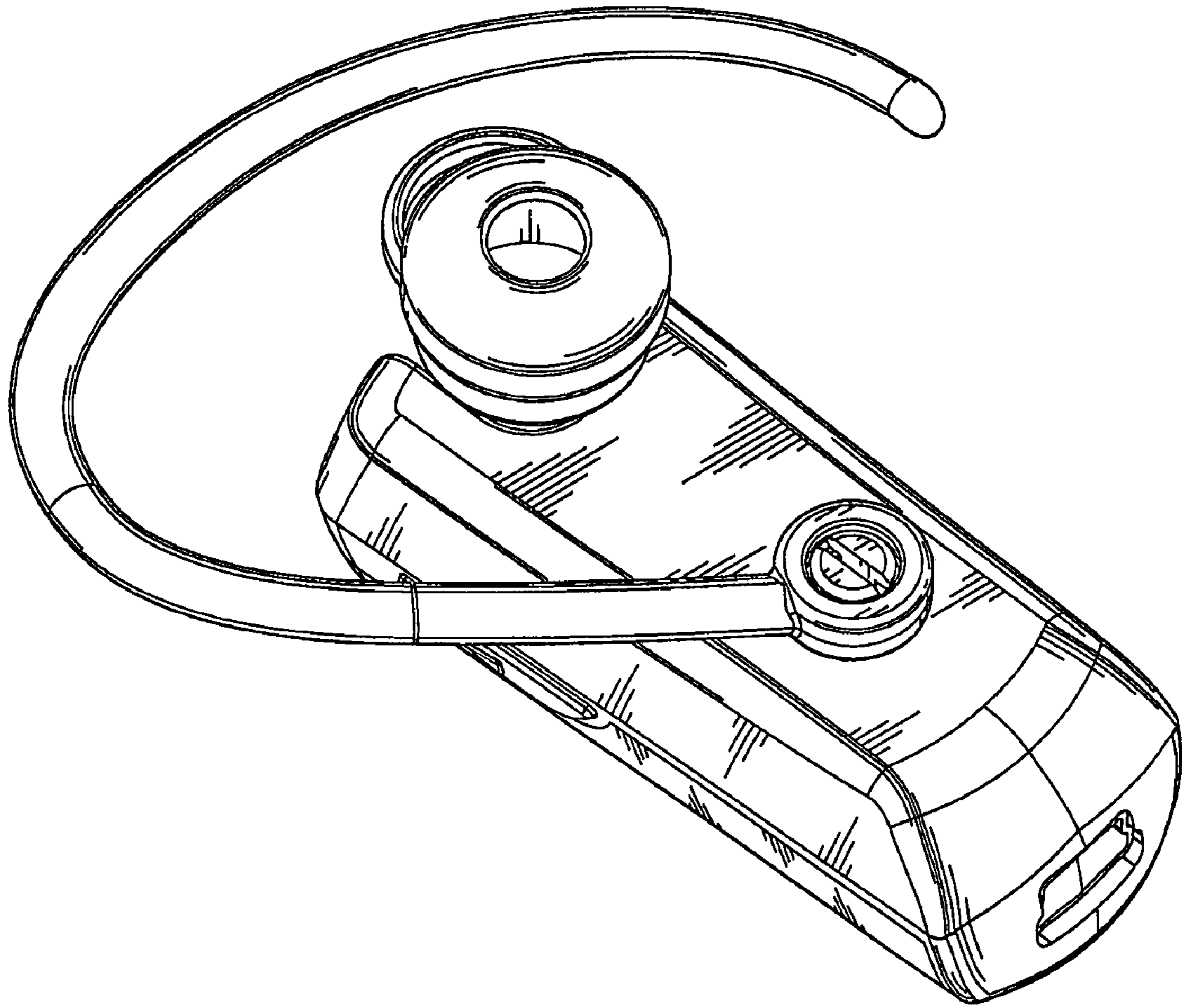


FIG. 8