



US00D568874S

(12) **United States Design Patent**
Andre et al.

(10) **Patent No.:** **US D568,874 S**
(45) **Date of Patent:** **** May 13, 2008**

(54) **STAND**

(75) Inventors: **Bartley K. Andre**, Menlo Park, CA (US); **Daniel J. Coster**, San Francisco, CA (US); **Daniele De Iuliis**, San Francisco, CA (US); **Richard P. Howarth**, San Francisco, CA (US); **Jonathan P. Ive**, San Francisco, CA (US); **Duncan Robert Kerr**, San Francisco, CA (US); **Shin Nishibori**, San Francisco, CA (US); **Matthew Dean Rohrbach**, San Francisco, CA (US); **Douglas B. Satzger**, Menlo Park, CA (US); **Calvin Q. Seid**, Palo Alto, CA (US); **Christopher J. Stringer**, Portola Valley, CA (US); **Eugene Antony Whang**, San Francisco, CA (US); **Rico Zorkendorfer**, San Francisco, CA (US)

(73) Assignee: **Apple Inc.**, Cupertino, CA (US)

(**) Term: **14 Years**

(21) Appl. No.: **29/270,883**

(22) Filed: **Jan. 5, 2007**

(51) **LOC (8) Cl.** **14-02**

(52) **U.S. Cl.** **D14/217**

(58) **Field of Classification Search** D14/142, D14/149, 217, 251, 432, 434, 435, 447, 496; D13/107, 108, 118; 248/221.11, 309.1; 320/107, 320/110, 113-115; 361/600, 679, 683, 686; 439/529, 534; 455/556.1, 556.2, 557

See application file for complete search history.

(56) **References Cited**

U.S. PATENT DOCUMENTS

D328,277 S 7/1992 Leman et al.

(Continued)

OTHER PUBLICATIONS

“iPod Dock Cradle”, downloaded Apr. 11, 2003, www.bookendzdocks.com/bookendz/dock_cradel.html.

(Continued)

Primary Examiner—Prabhakar Deshmukh

Assistant Examiner—Keli' L. Acker

(74) *Attorney, Agent, or Firm*—Sterne, Kessler, Goldstein & Fox P.L.L.C.

(57) **CLAIM**

We claim the ornamental design for a stand, substantially as shown and described.

DESCRIPTION

The stand, which can be utilized as a dock, is used to support one or more electronic devices, such as a media player, media storage device, cellular phone, PDA, earpiece and/or the like. By way of example, the electronic device may correspond to the electronic device shown and described in U.S. Design patent application Ser. No. 29/270,887, titled “Electronic Device,” filed concurrently herewith, and to the electronic device shown and described in the U.S. Design patent application Ser. No. 29/270,881, titled “Earpiece,” filed concurrently herewith, both of which are herein incorporated by reference.

FIG. 1 is a front perspective view of a stand in accordance with the present design;

FIG. 2 is a top view of the stand.

FIG. 3 is a bottom view of the stand.

FIG. 4 is a front view of the stand.

FIG. 5 is a rear view of the stand.

FIG. 6 is a right view of the of the stand.

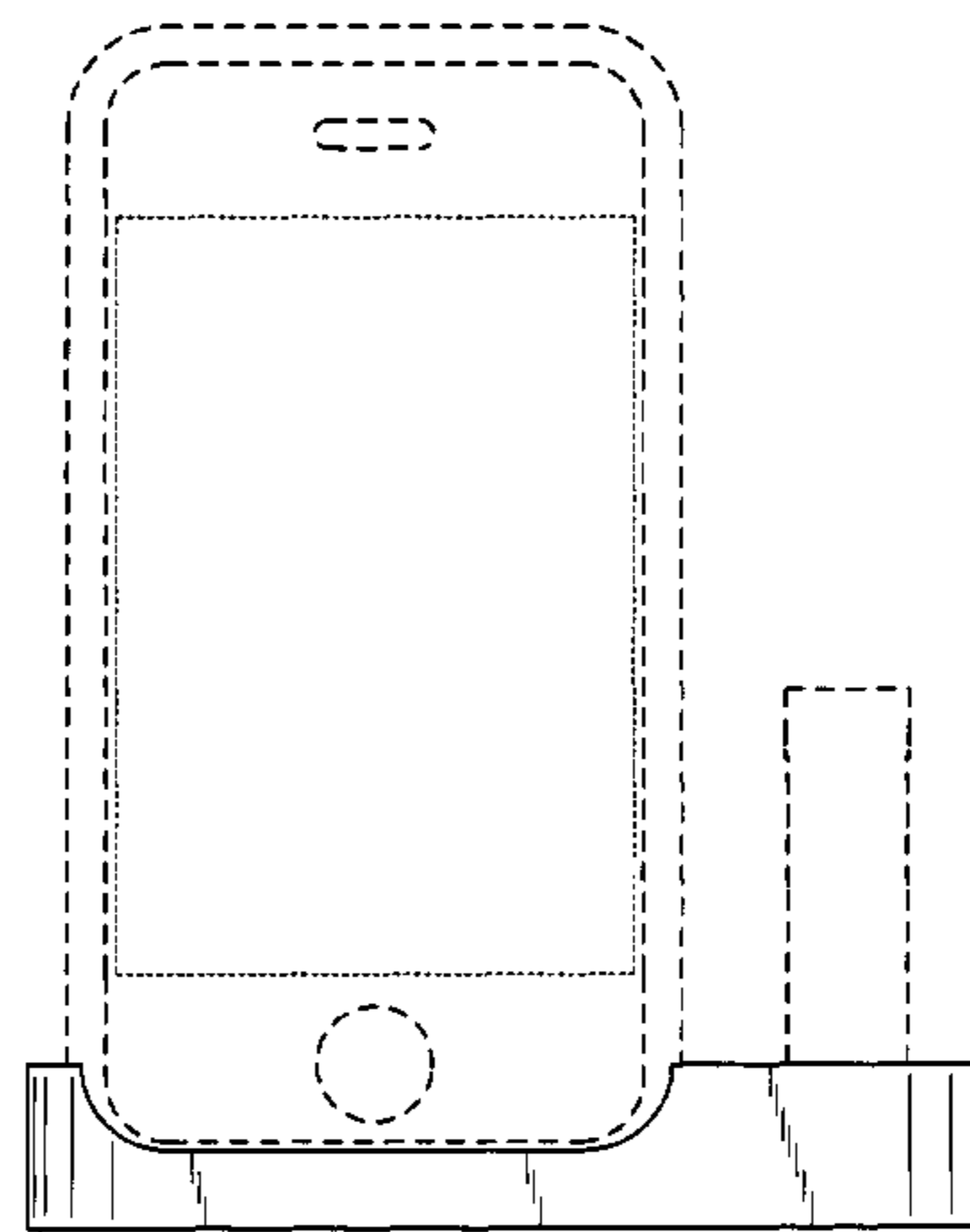
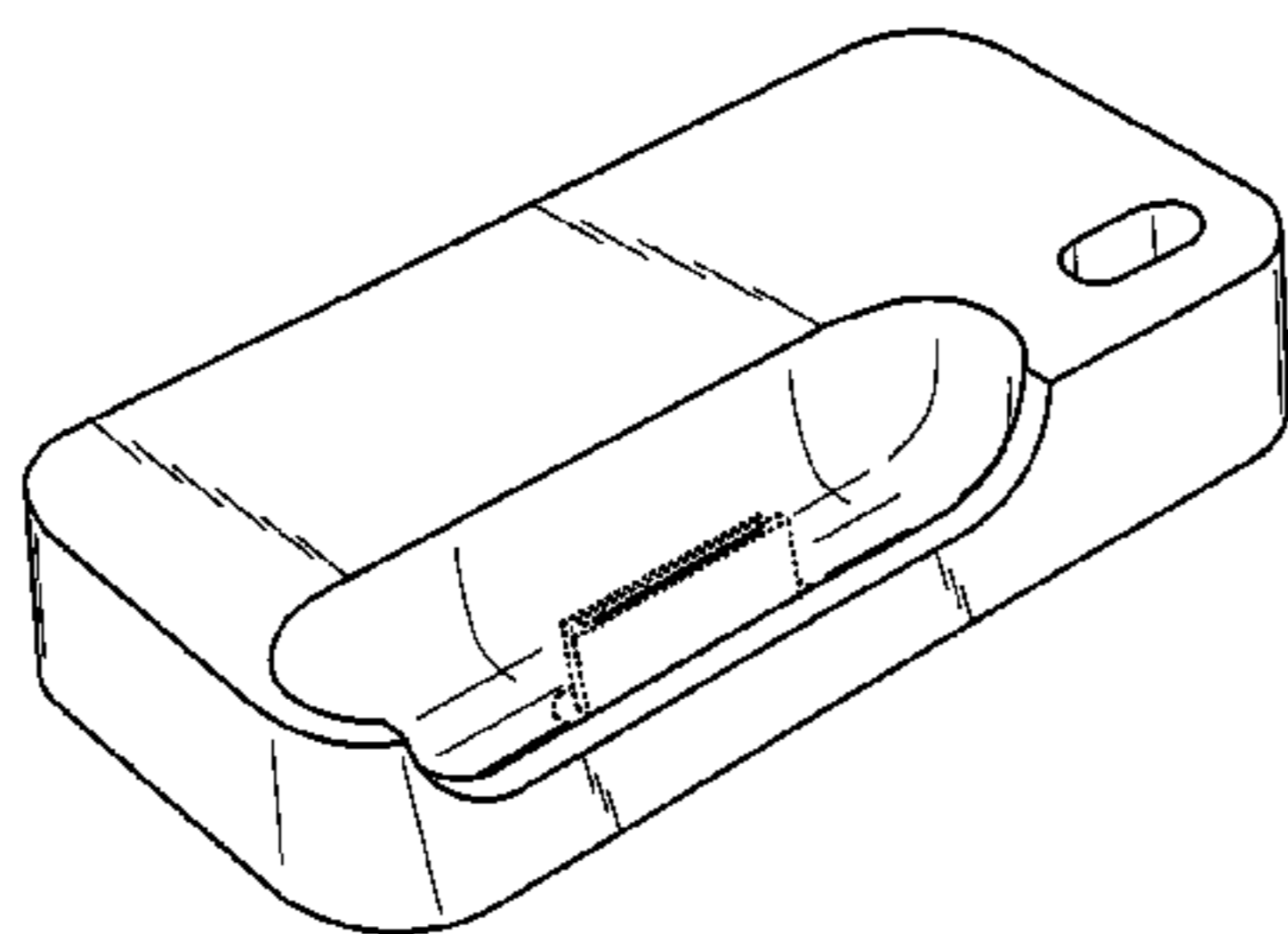
FIG. 7 is a left side view of the stand.

FIG. 8 is a front view of the stand with first and second electronic devices placed therein; and,

FIG. 9 is a right side view of the stand with first and second electronic devices placed therein.

The features shown in broken lines in the various Figures are for illustrating environmental structure and form no part of the claimed design.

1 Claim, 3 Drawing Sheets



US D568,874 S

Page 2

U.S. PATENT DOCUMENTS

D336,631	S	6/1993	Ivester	
5,280,229	A	1/1994	Faude et al.	
D350,330	S	9/1994	Peterson	
D358,821	S *	5/1995	Hellier et al.	D14/253
D361,069	S *	8/1995	Hellier et al.	D14/253
D374,858	S	10/1996	Chu	
5,600,225	A	2/1997	Goto	
5,602,458	A *	2/1997	Dowe	396/205
5,627,727	A	5/1997	Aguilera et al.	
D385,530	S	10/1997	Hames et al.	
D388,764	S	1/1998	Bartling et al.	
D390,824	S *	2/1998	Foster et al.	D13/108
5,742,149	A	4/1998	Simpson	
D397,996	S	9/1998	Smith	
D409,987	S	5/1999	Okumura	
D411,166	S	6/1999	Uemura et al.	
5,926,005	A	7/1999	Holcomb et al.	
5,952,814	A	9/1999	Van Lerberghe	
D416,536	S	11/1999	Ross et al.	
D419,160	S	1/2000	Davidson et al.	
6,042,414	A	3/2000	Kunert	
D422,556	S	4/2000	Okura et al.	
D439,908	S	4/2001	Gozani	
D440,542	S	4/2001	Hawkins et al.	
D442,939	S	5/2001	Goldenburg	
D444,121	S	6/2001	Chun et al.	
D444,124	S	6/2001	Casey et al.	
6,307,348	B1	10/2001	Green	
D450,707	S	11/2001	Francavilla et al.	
D454,332	S	3/2002	Yokoyama	
D459,299	S	6/2002	Hughes et al.	
D461,476	S	8/2002	Evers et al.	
D463,361	S	9/2002	Ruohonen	
D466,122	S	11/2002	Moody	
D468,305	S	1/2003	Ma et al.	
6,524,240	B1	2/2003	Thede	
D472,900	S	4/2003	Matsumoto	
D477,823	S	7/2003	Lavello, Sr.	
6,711,005	B2	3/2004	Martin	
D488,440	S	4/2004	Senda	
D495,336	S	8/2004	Andre et al.	
6,798,647	B2	9/2004	Dickie	
6,813,528	B1	11/2004	Yang	
6,898,080	B2	5/2005	Yin et al.	
D508,459	S	8/2005	Yoshida	

D509,790	S *	9/2005	Sakai	D13/108
D510,091	S	9/2005	Mori et al.	
D520,945	S *	5/2006	Hayamizu	D13/108
D520,946	S *	5/2006	Nasu	D13/108
D525,616	S	7/2006	Andre et al.	
7,075,579	B2	7/2006	Whitby et al.	
D526,321	S	8/2006	Hayes et al.	
D530,717	S	10/2006	Mori et al.	
D532,005	S	11/2006	Leith	
7,145,603	B2	12/2006	Whitby et al.	
D535,614	S	1/2007	Majanen et al.	
D551,212	S	9/2007	Andre et al.	
D551,213	S	9/2007	Andre et al.	
D552,085	S	10/2007	Andre et al.	
2002/0103008	A1	8/2002	Rahn et al.	
2003/0198015	A1	10/2003	Vogt	
2006/0250764	A1	11/2006	Howarth et al.	
2007/0047198	A1	3/2007	Crooijmans et al.	

OTHER PUBLICATIONS

“BookEndz Home Page”, downloaded Apr. 11, 2003, www.bookendzdocks.com/bookendz/index.htm.

U.S. Appl. No. 29/270,884, Stand, filed Jan. 5, 2007.

U.S. Appl. No. 29/237,084 entitled “Docking Station” filed Aug. 24, 2005.

U.S. Appl. No. 29/237,233 entitled “Docking Station” filed Aug. 24, 2005.

U.S. Appl. No. 29/237,687 entitled “Docking Station” filed Aug. 24, 2005.

U.S. Appl. No. 29/265,590 entitled “Stand” filed Sep. 1, 2006.

U.S. Appl. No. 29/282,424 entitled “Docking Station” filed Jul. 19, 2007.

U.S. Appl. No. 29/282,543 entitled “Dock Insert” filed Jul. 23, 2007.

“Atech Flash Technology iduo ipod Dock and card Reader”, www.the-gadgeteer.com, downloaded Nov. 21, 2005.

“Adaptec xHub for Notebooks”, http://www.everythingusb.com/hardware/index/Adaptec_xHub_for_Notebooks.htm, downloaded Nov. 22, 2005.

“Belkin’s Top loading USB Hub for iPod shuffle”, http://www.everythingusb.com/belkin_hispeed_usb_2.0_4-port_hub.html, downloaded Nov. 22, 2005.

“Belkin Hi-Speed USB 2.07.sub.—Port Hub”, http://www.everythingusb.com/hardware/index/Belkin_Hi-Speed_USB_2.0_7-Port_Hub..., downloaded Nov. 22, 2005.

* cited by examiner

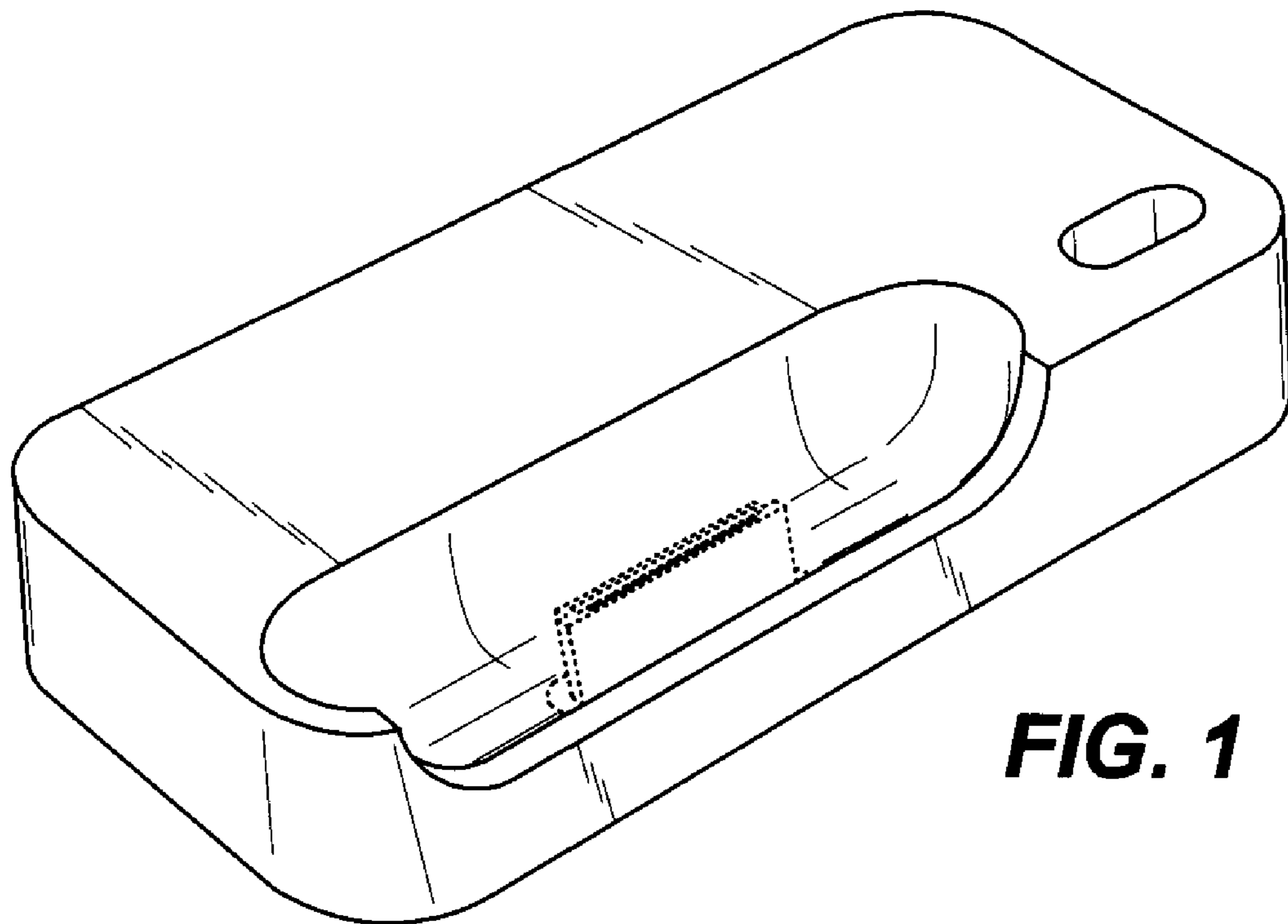


FIG. 1

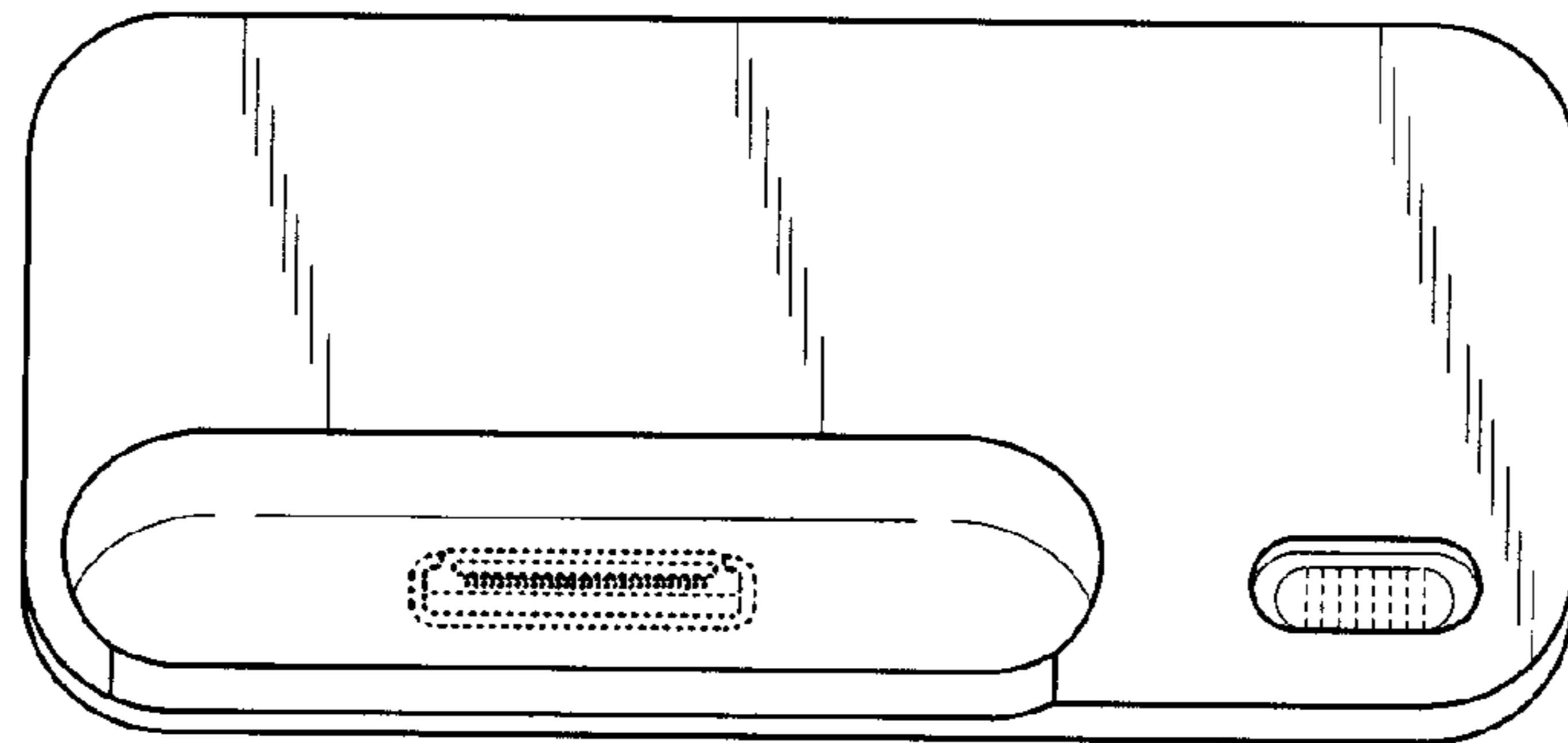


FIG. 2

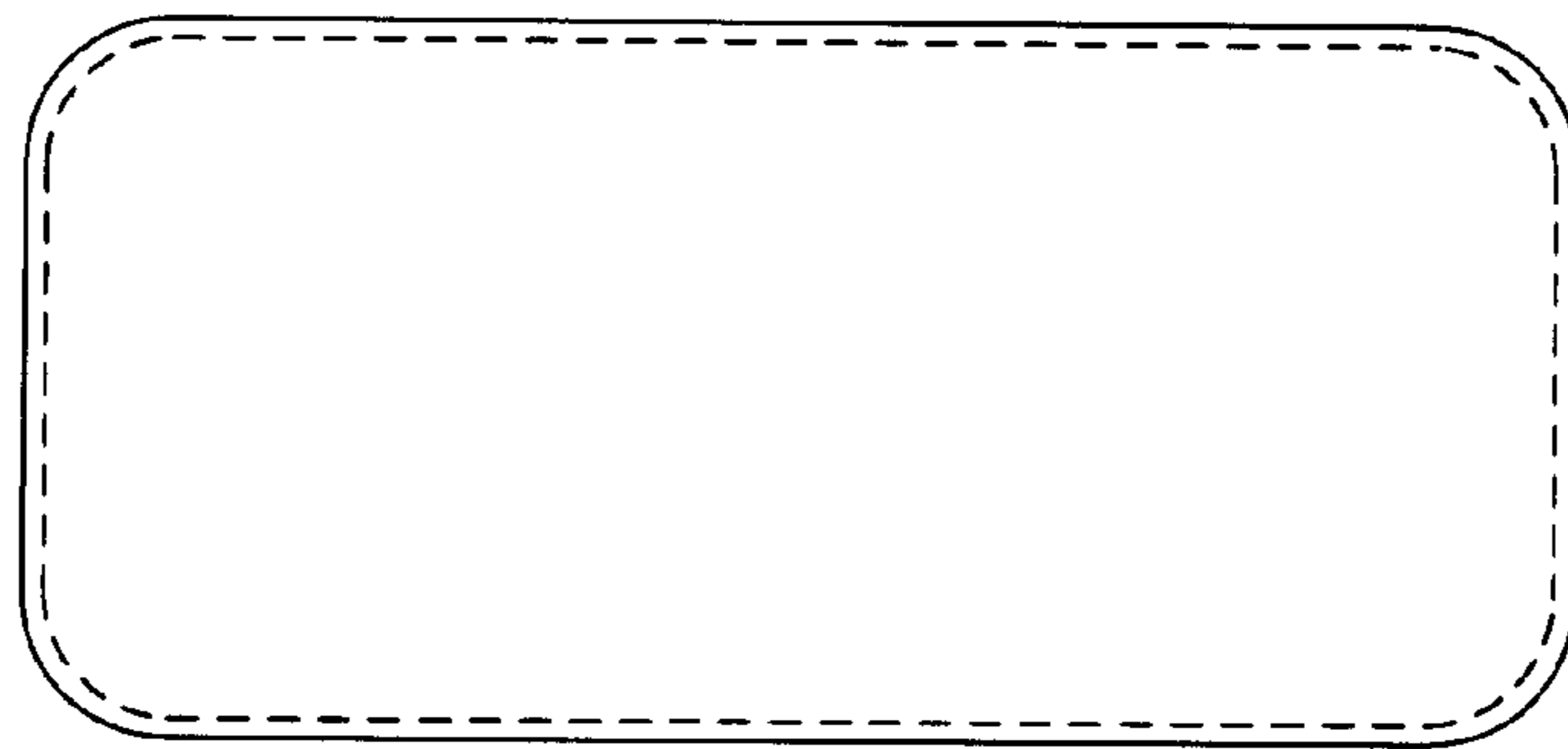


FIG. 3

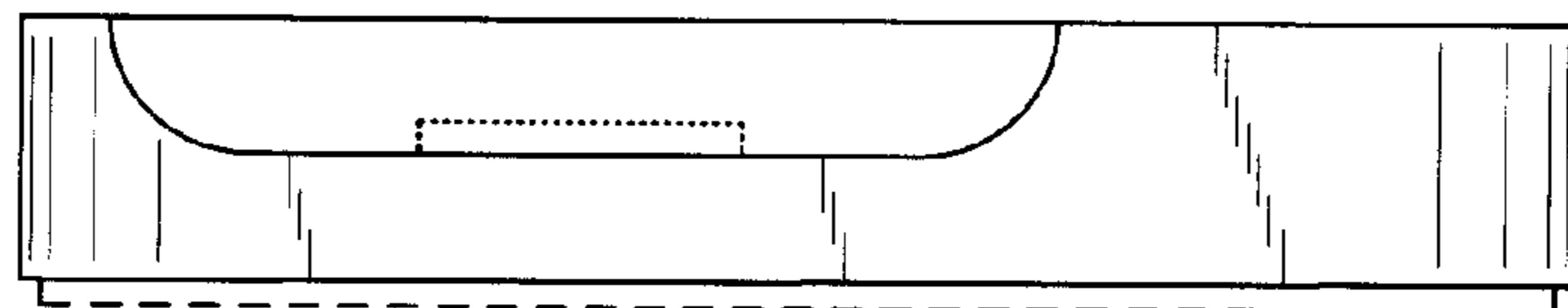


FIG. 4

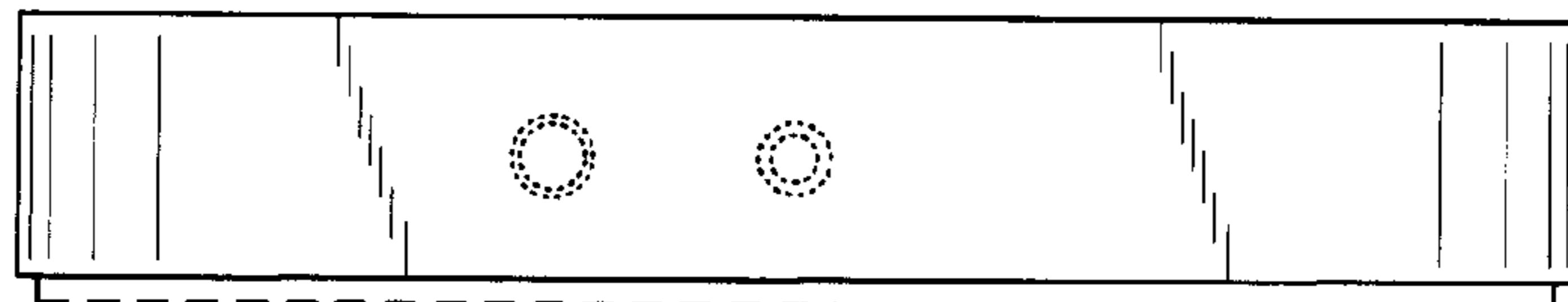


FIG. 5

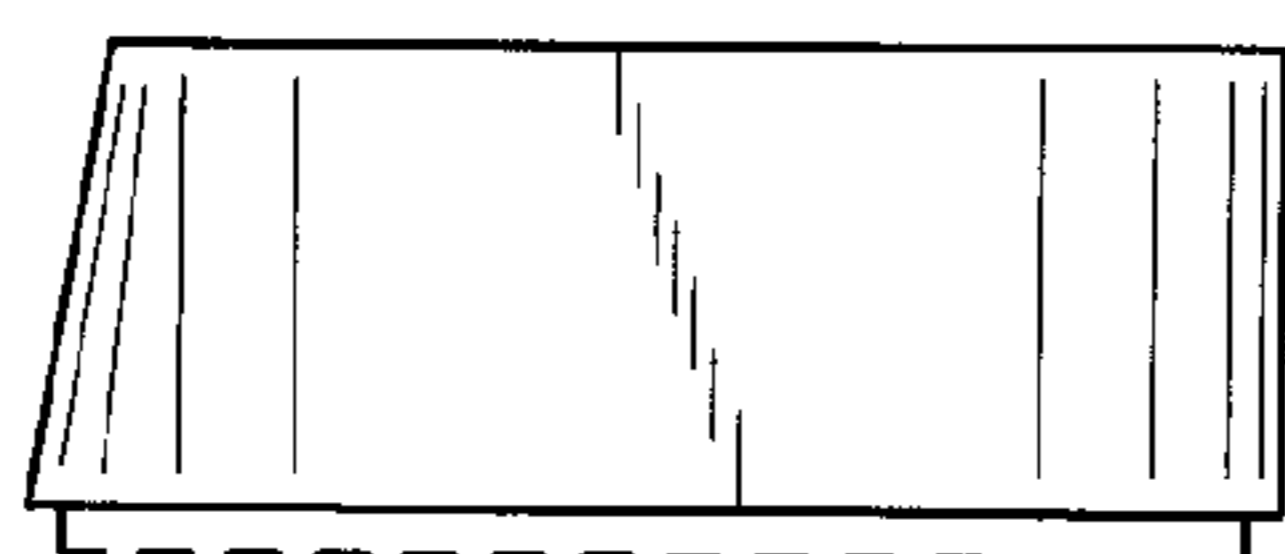


FIG. 6

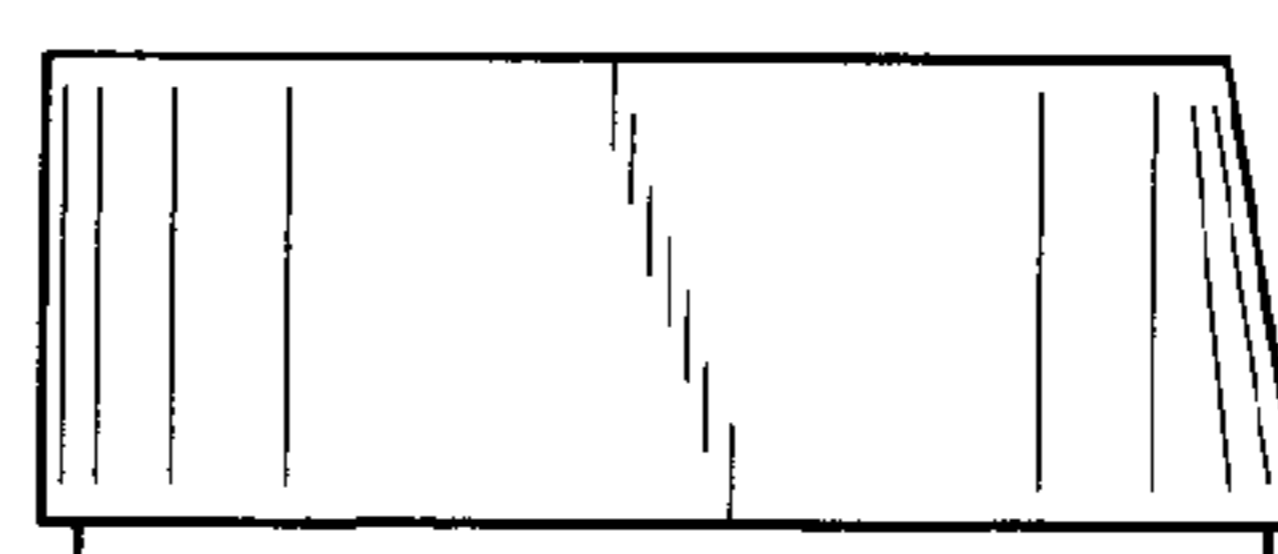


FIG. 7

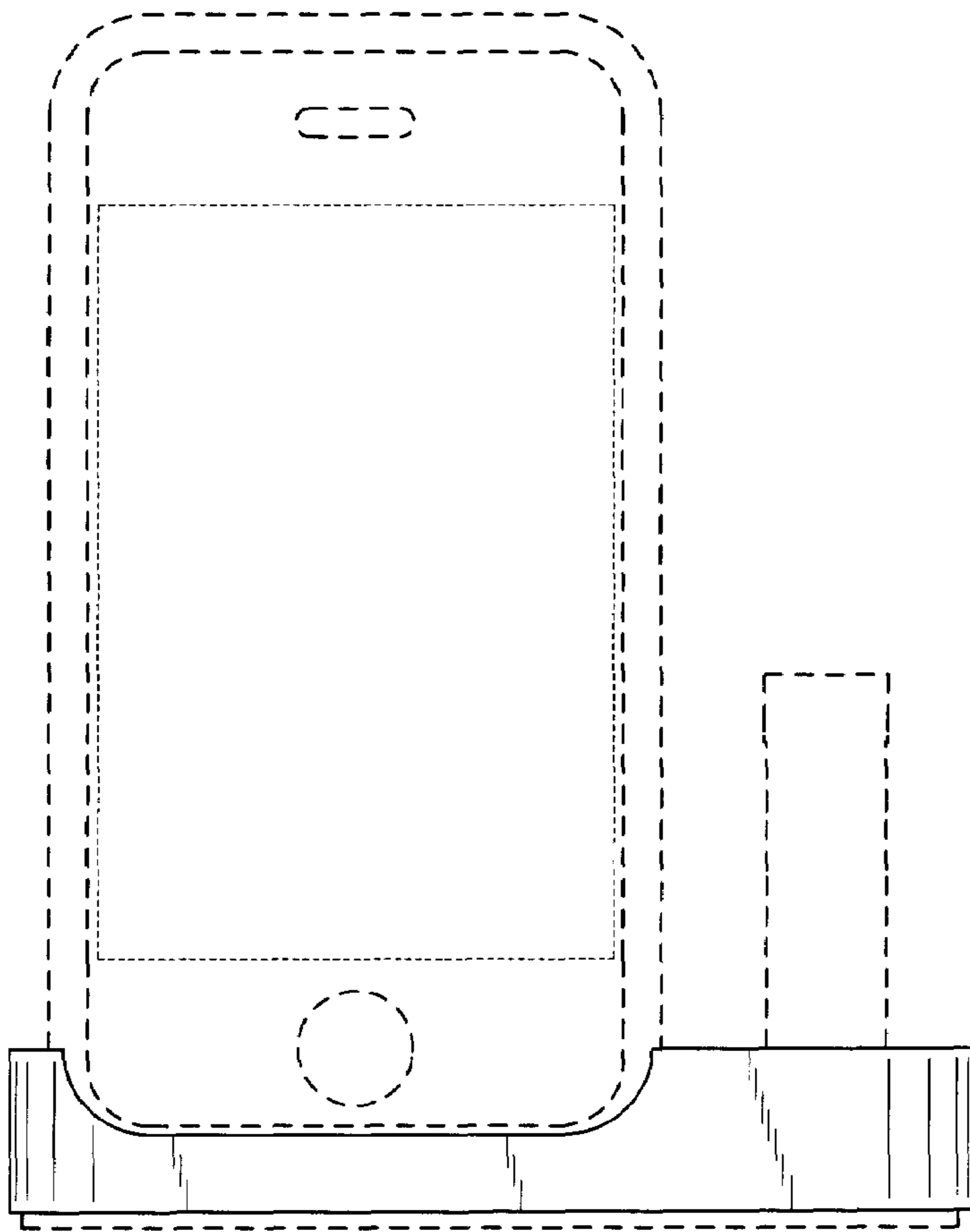


FIG. 8

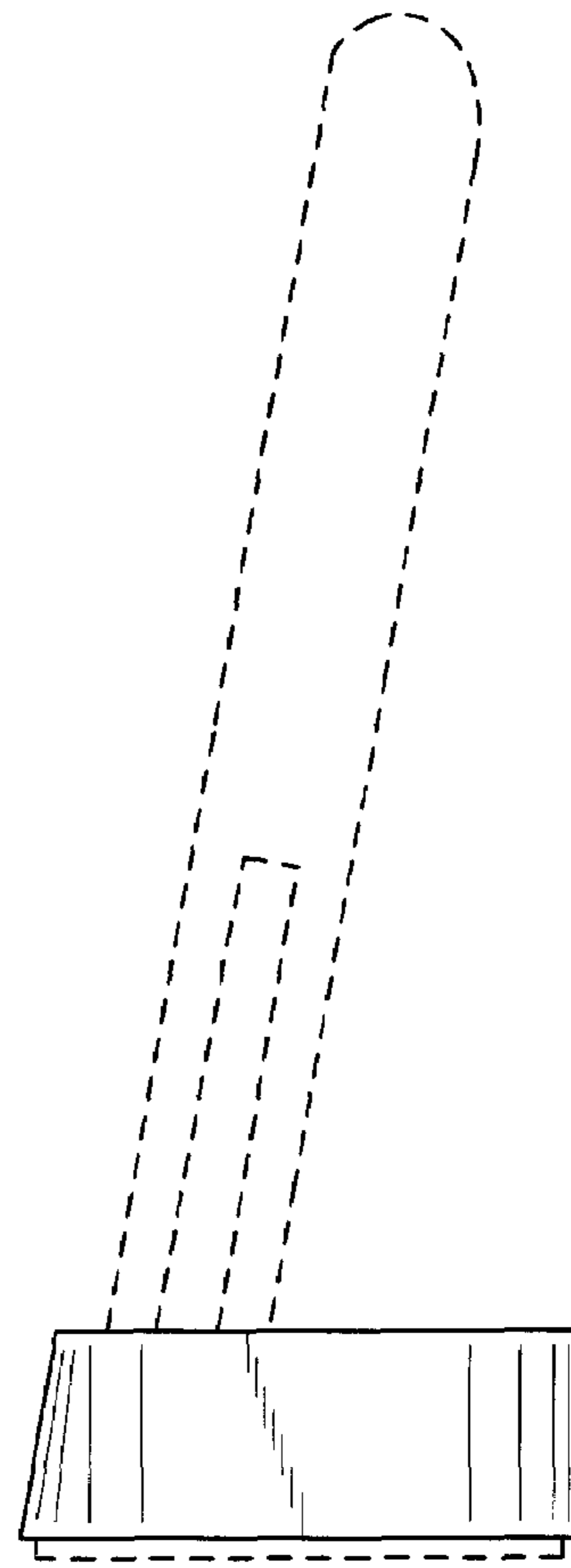


FIG. 9