



US00D568871S

(12) **United States Design Patent**  
**Wikel et al.**

(10) **Patent No.:** **US D568,871 S**  
(45) **Date of Patent:** **\*\* May 13, 2008**

(54) **SPEAKER SYSTEM**

(75) Inventors: **Harold L. Wikel**, Muskego, WI (US);  
**David W. Larmour**, Suwanee, GA  
(US); **Jeremy S. Slocum**, Antioch, IL  
(US)

(73) Assignee: **Motorola, Inc.**, Schaumburg, IL (US)

(\*\*) Term: **14 Years**

(21) Appl. No.: **29/275,816**

(22) Filed: **Jan. 7, 2007**

(51) **LOC (8) Cl.** ..... **14-01**

(52) **U.S. Cl.** ..... **D14/214; D14/496**

(58) **Field of Classification Search** ..... D14/204,  
D14/209–217, 496, 160, 168; 181/143–144,  
181/147–148, 150, 157, 198–199, 151, 153;  
381/300–302, 306, 333, 345, 361–364, 386–388,  
381/332, 336

See application file for complete search history.

(56) **References Cited**

**U.S. PATENT DOCUMENTS**

D502,697 S *	3/2005	Hite	.....	D14/214
D513,617 S *	1/2006	Tierney	.....	D14/496
D514,590 S *	2/2006	Naruki	.....	D14/496
D518,488 S *	4/2006	Rodarte	.....	D14/496

\* cited by examiner

*Primary Examiner*—Nanda Bondade

(74) *Attorney, Agent, or Firm*—David S. Noskowitz

(57) **CLAIM**

The ornamental design for a speaker system, as shown and described.

**DESCRIPTION**

FIG. 1 is a perspective view of a first embodiment of an ornamental design for a speaker system.

FIG. 2 is a rear view of the first embodiment thereof.

FIG. 3 is a front view of the first embodiment thereof.

FIG. 4 is a first side view of the first embodiment thereof.

FIG. 5 is a second side view of the first embodiment thereof.

FIG. 6 is a bottom view of the first embodiment thereof.

FIG. 7 is a top view of the first embodiment thereof.

FIG. 8 is a perspective view of a second embodiment of an ornamental design for a speaker system.

FIG. 9 is a rear view of the second embodiment thereof.

FIG. 10 is a front view of the second embodiment thereof.

FIG. 11 is a first side view of the second embodiment thereof.

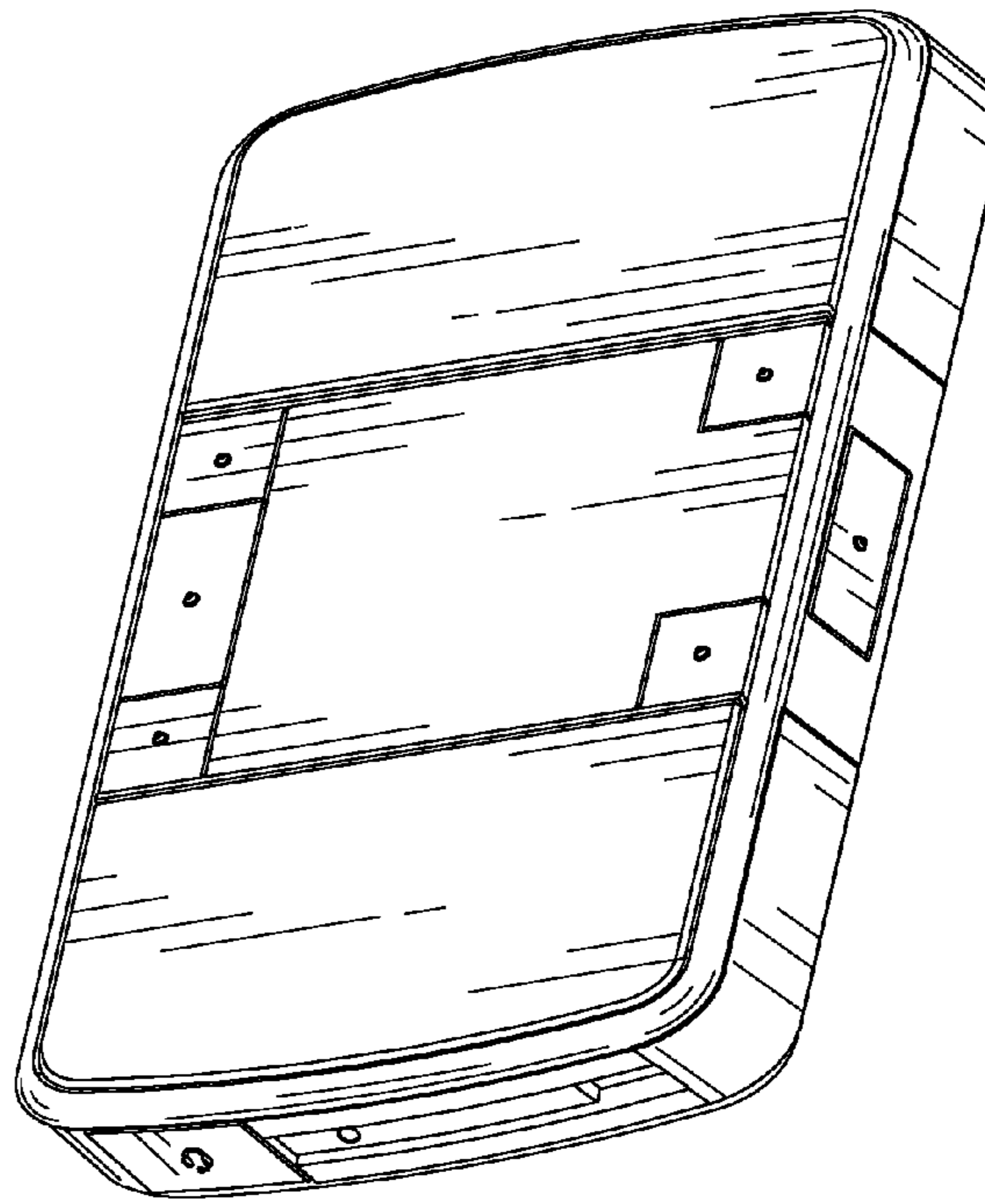
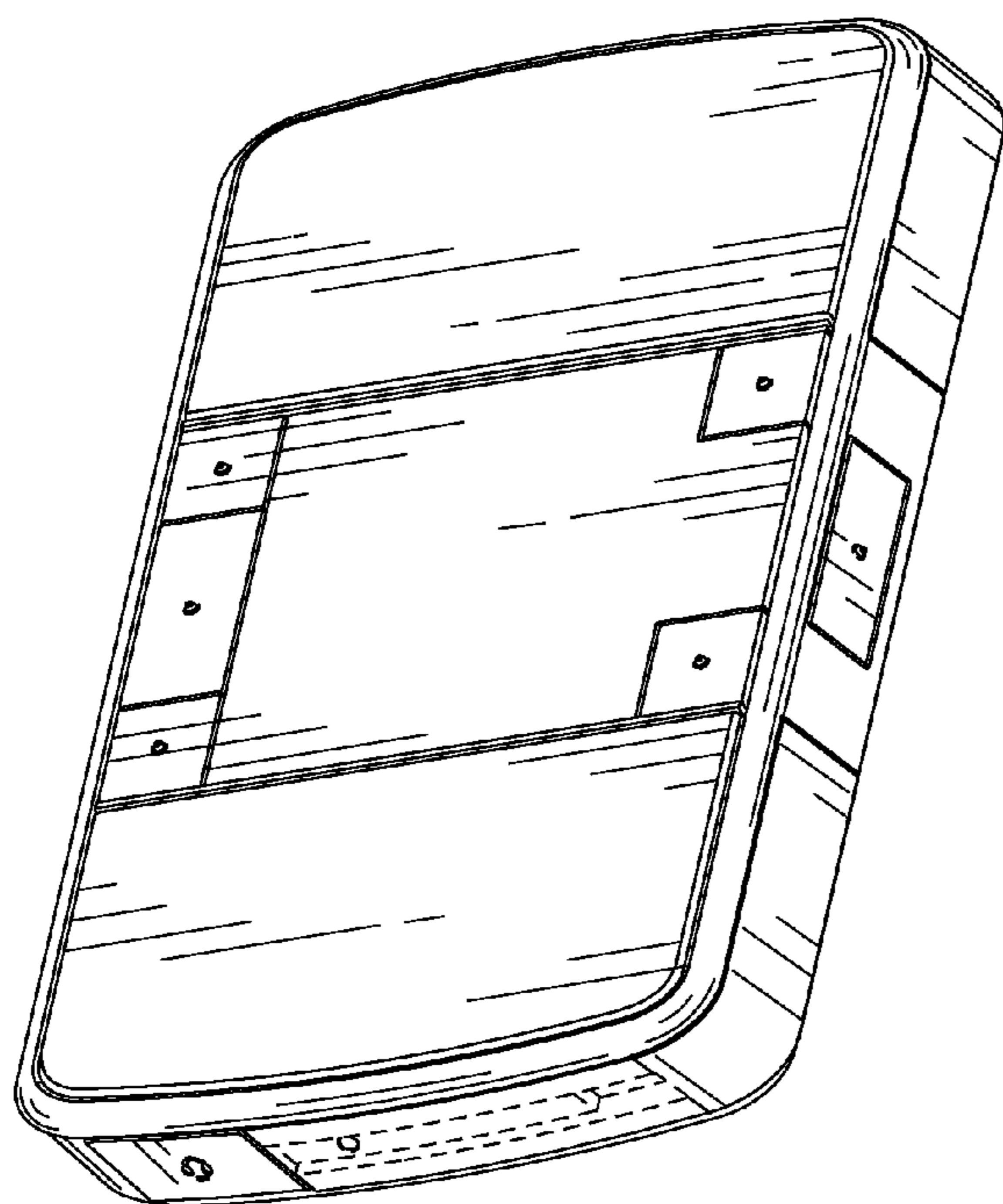
FIG. 12 is a second side view of the second embodiment thereof.

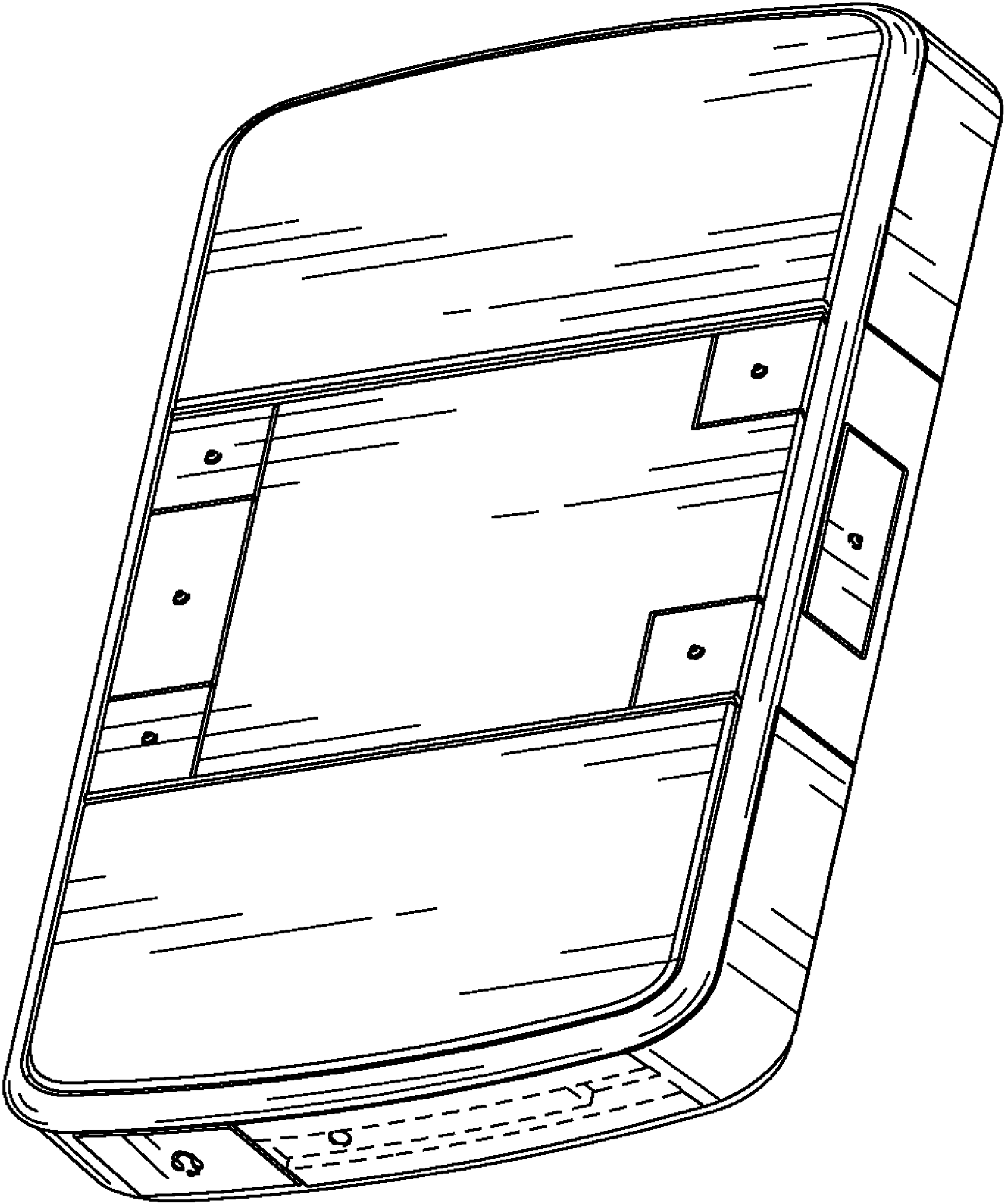
FIG. 13 is a bottom view of the second embodiment thereof; and,

FIG. 14 is a top view of the second embodiment thereof.

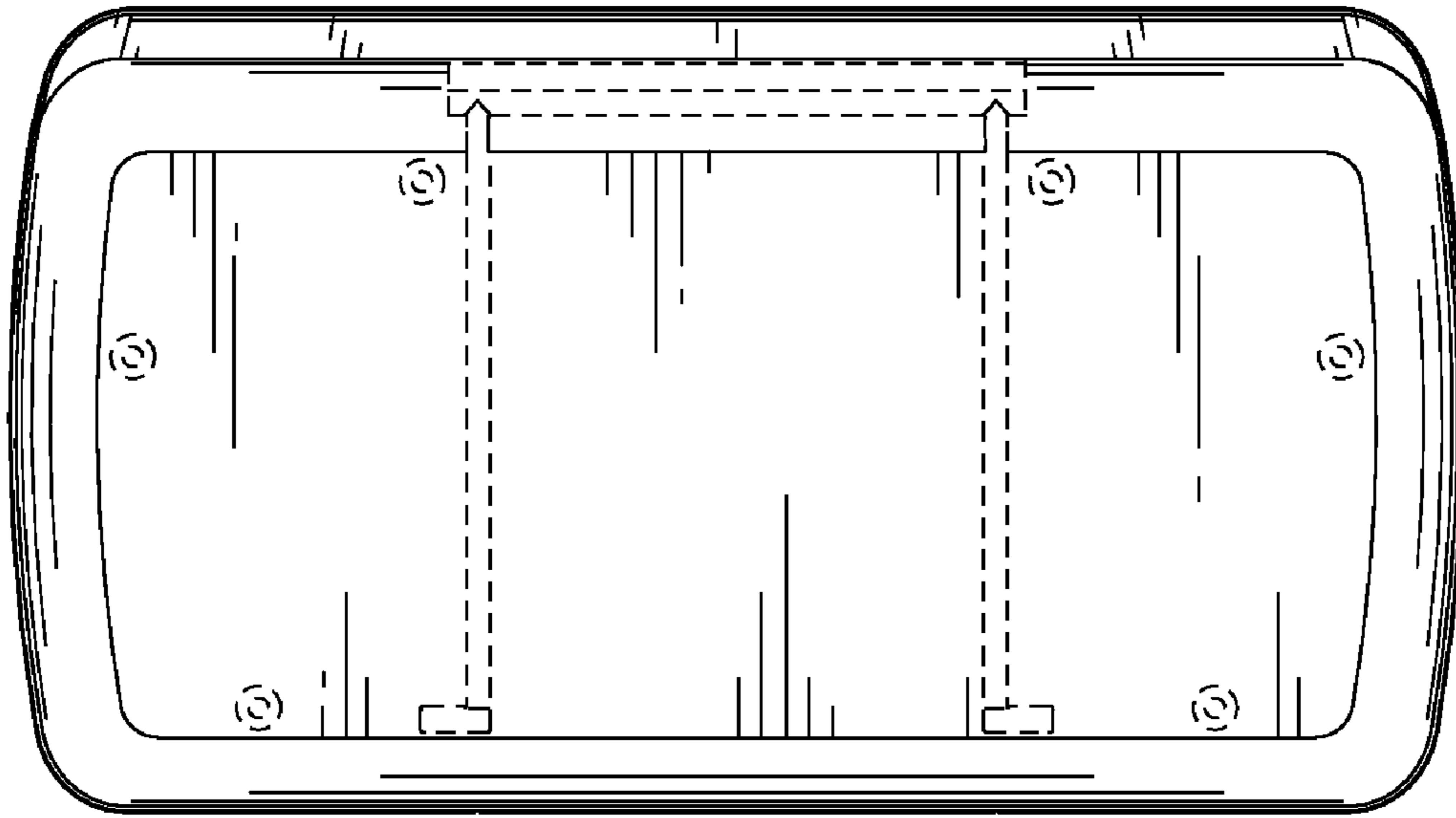
The broken lines shown in FIGS. 1–7 are included for the purpose of illustrating environmental elements only and form no part of the claimed design.

**1 Claim, 8 Drawing Sheets**

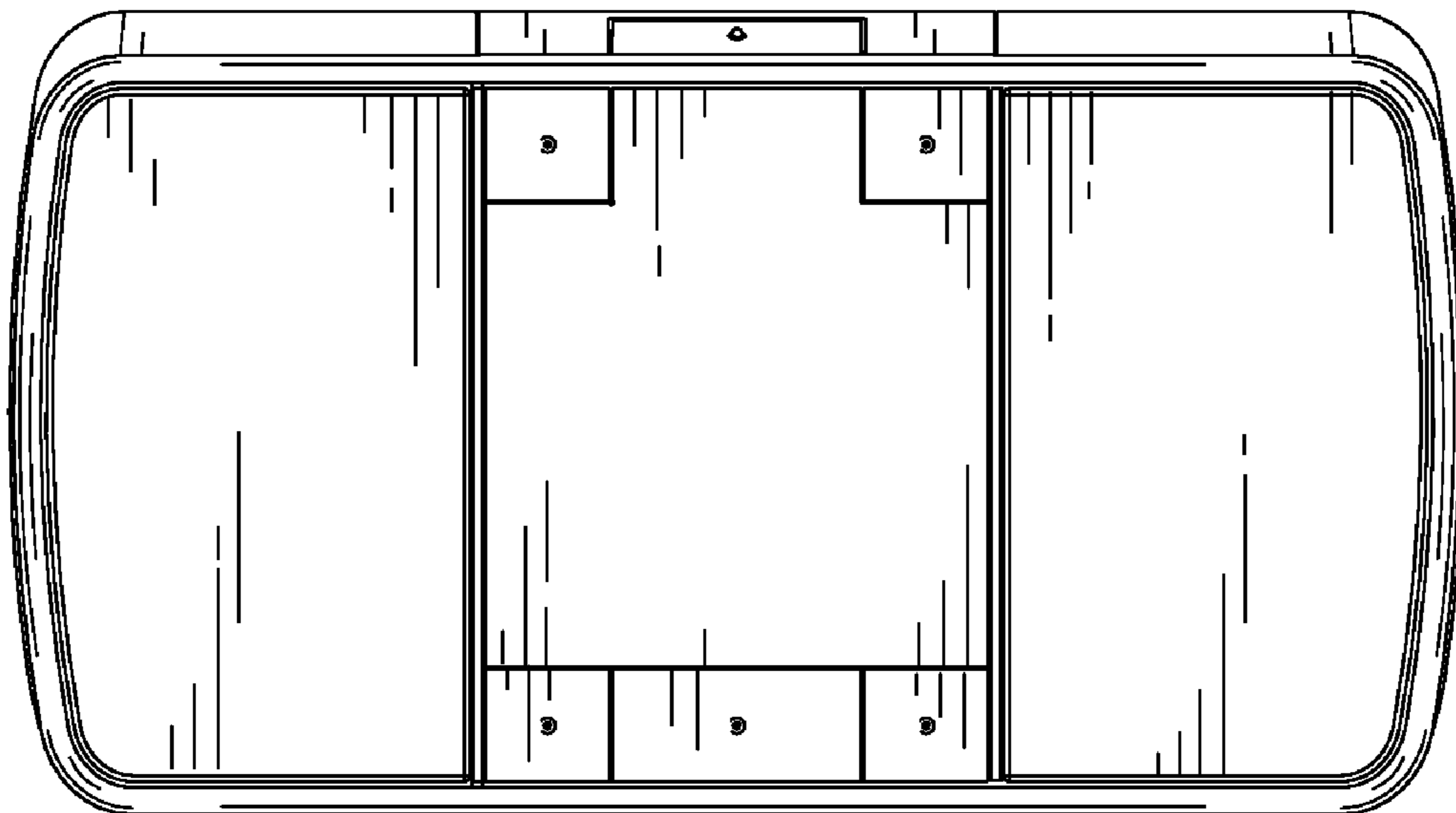




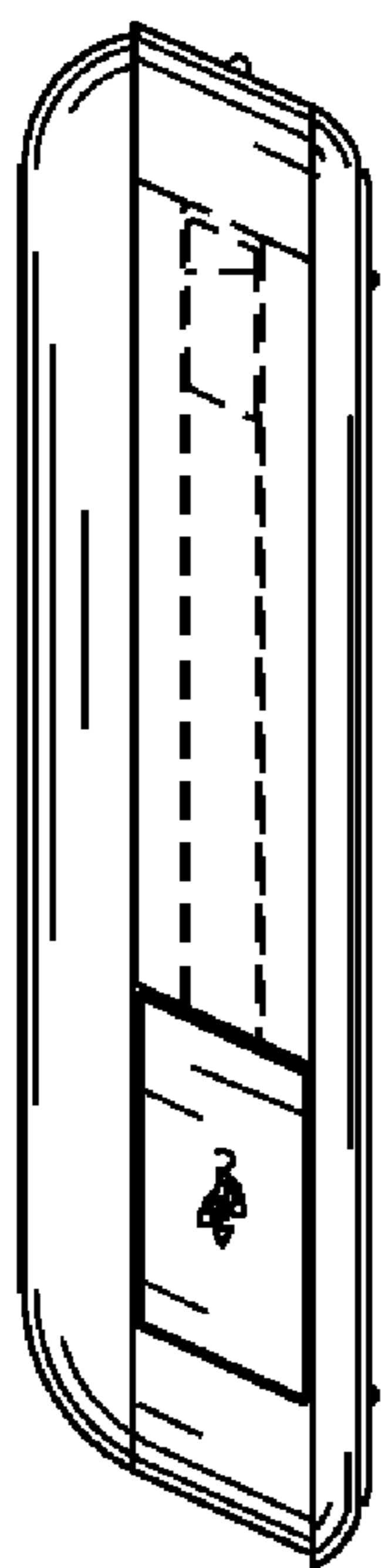
*FIG. 1*



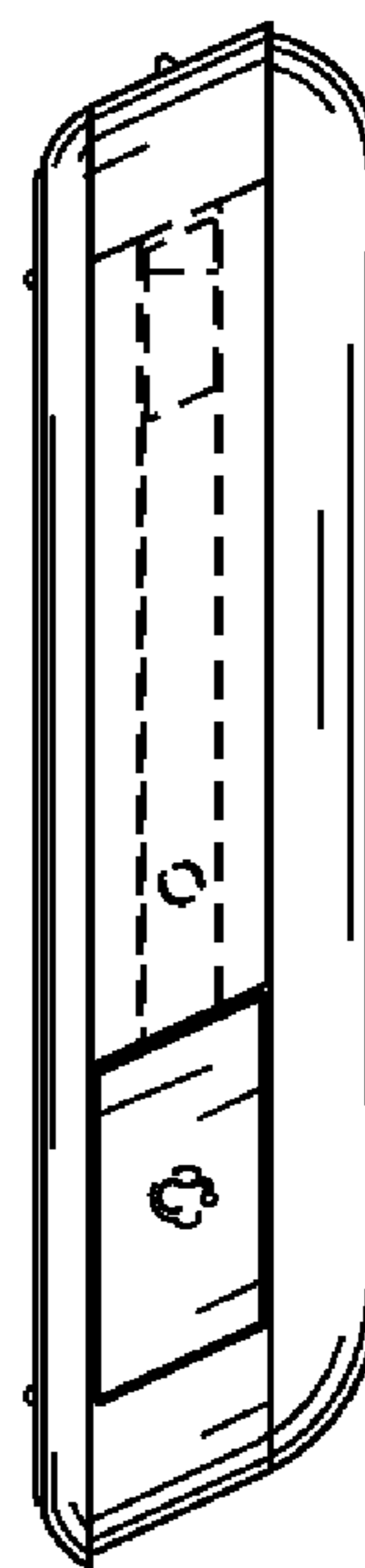
*FIG. 2*



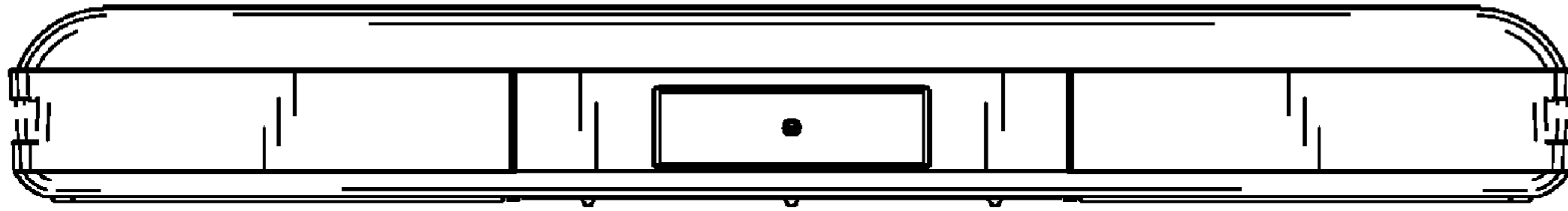
*FIG. 3*



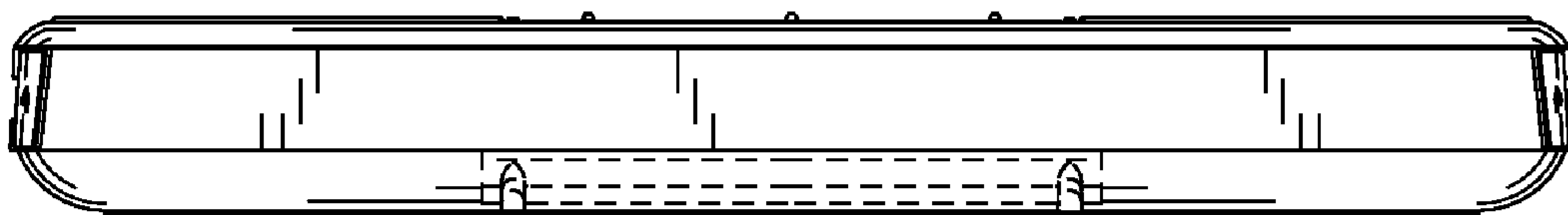
*FIG. 4*



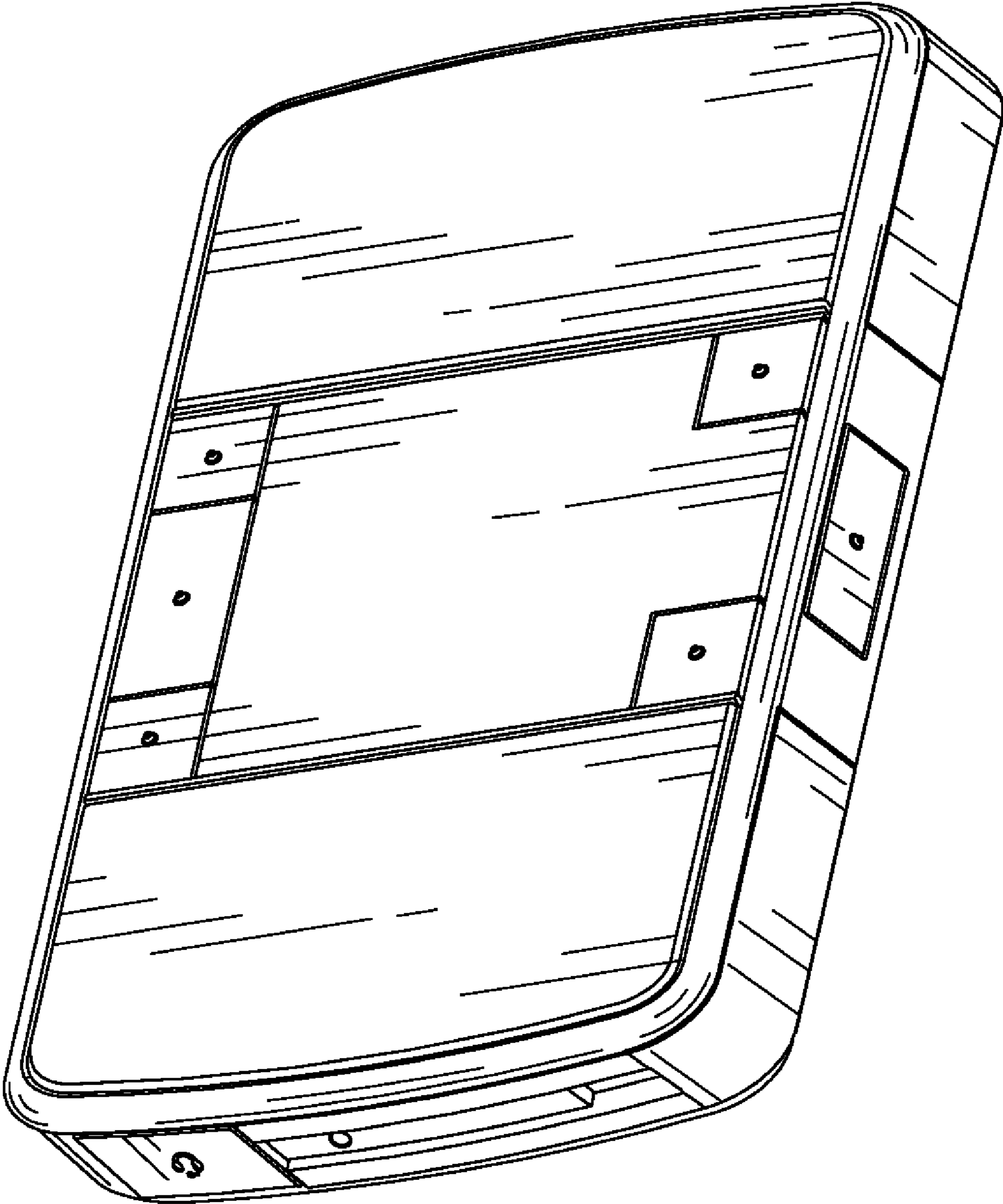
*FIG. 5*



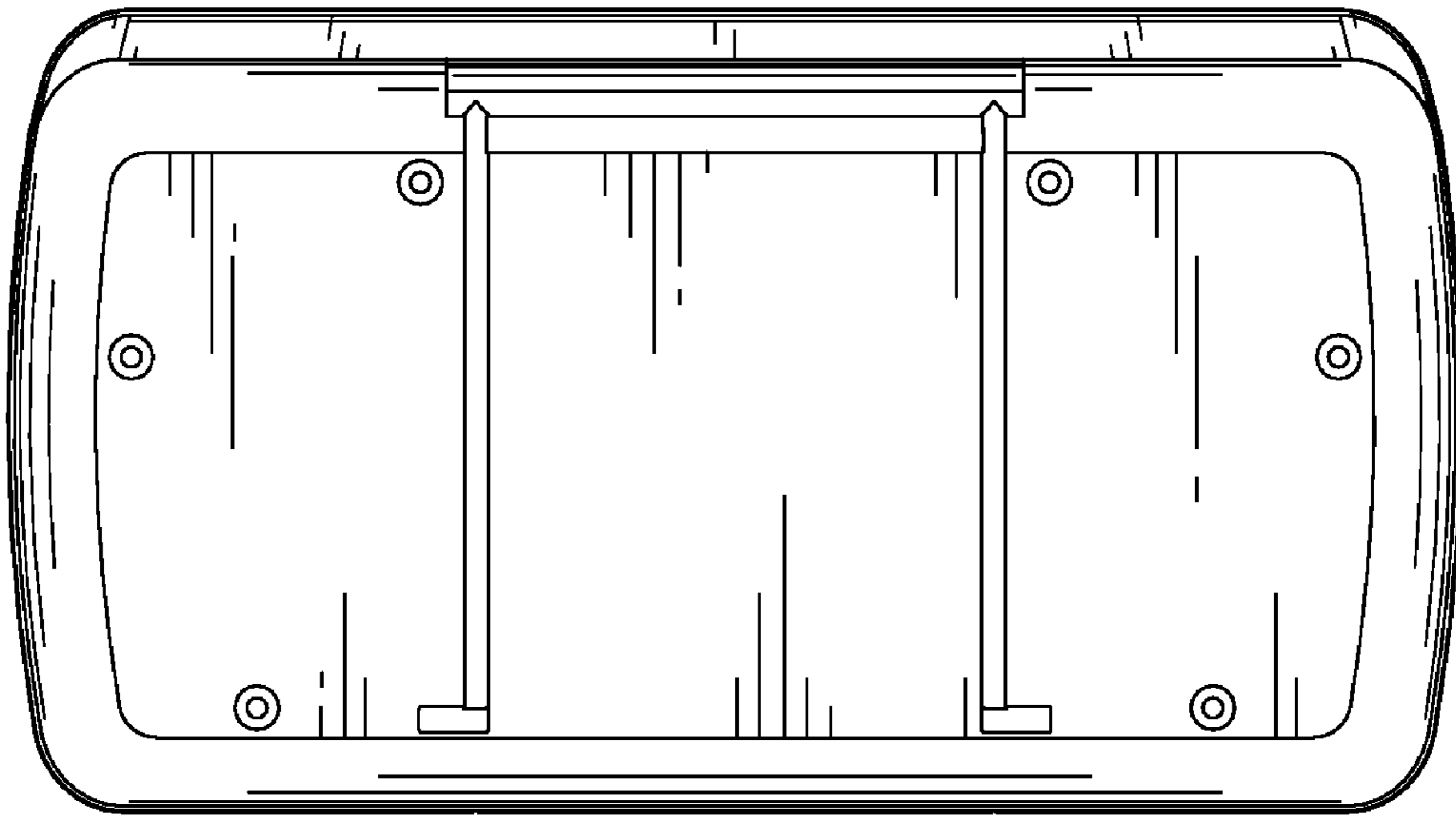
*FIG. 6*



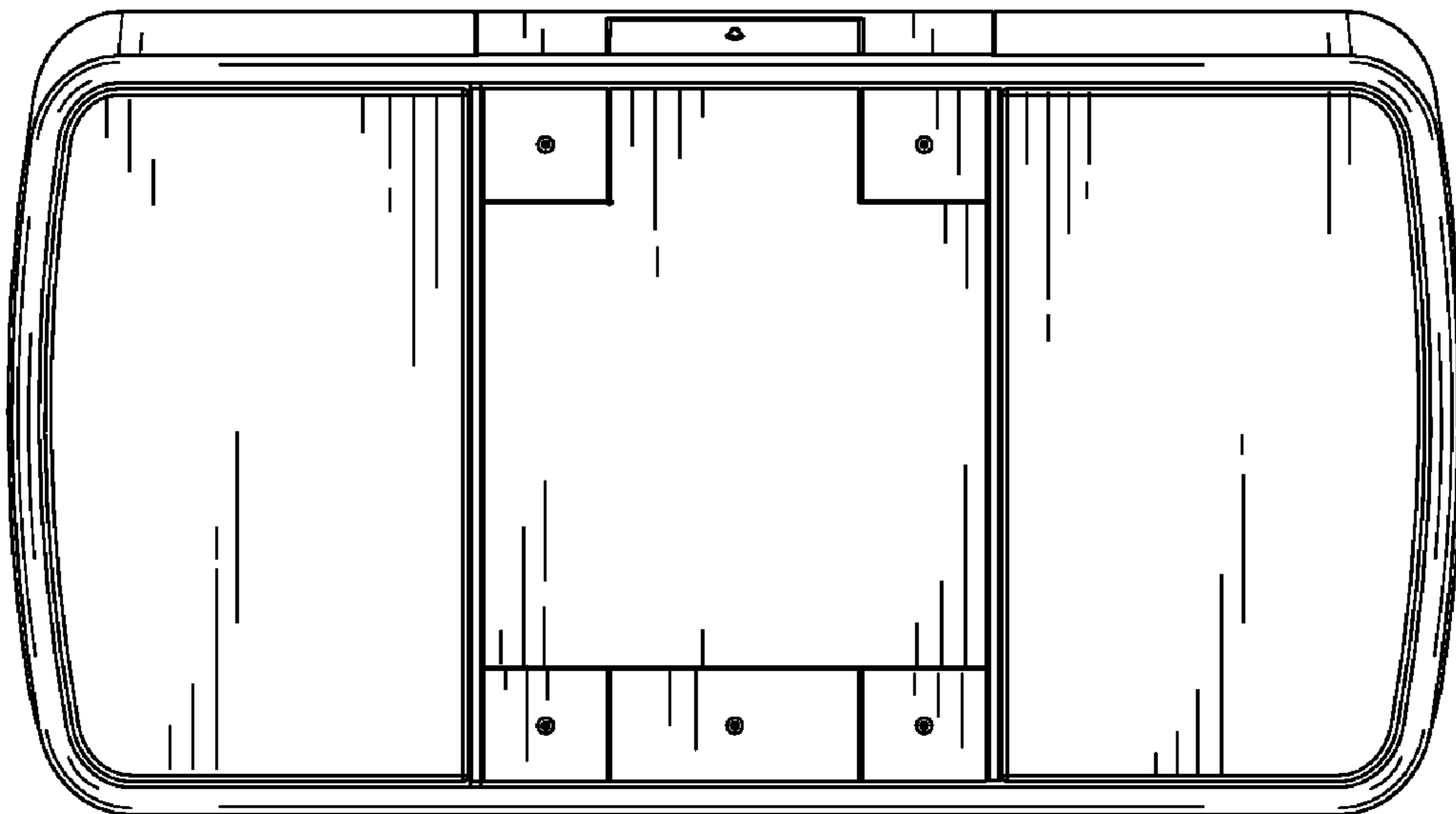
*FIG. 7*



*FIG. 8*

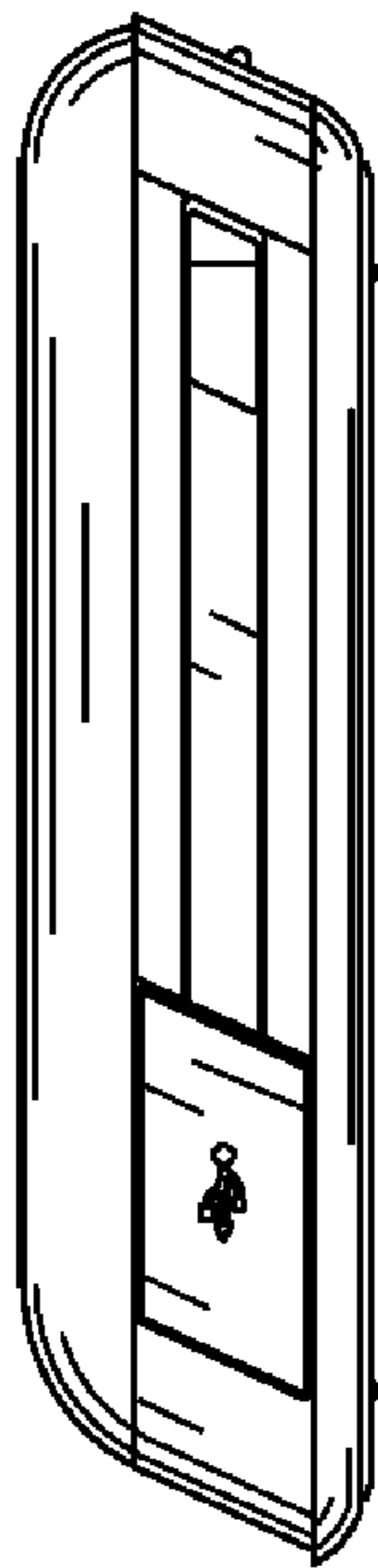


*FIG. 9*

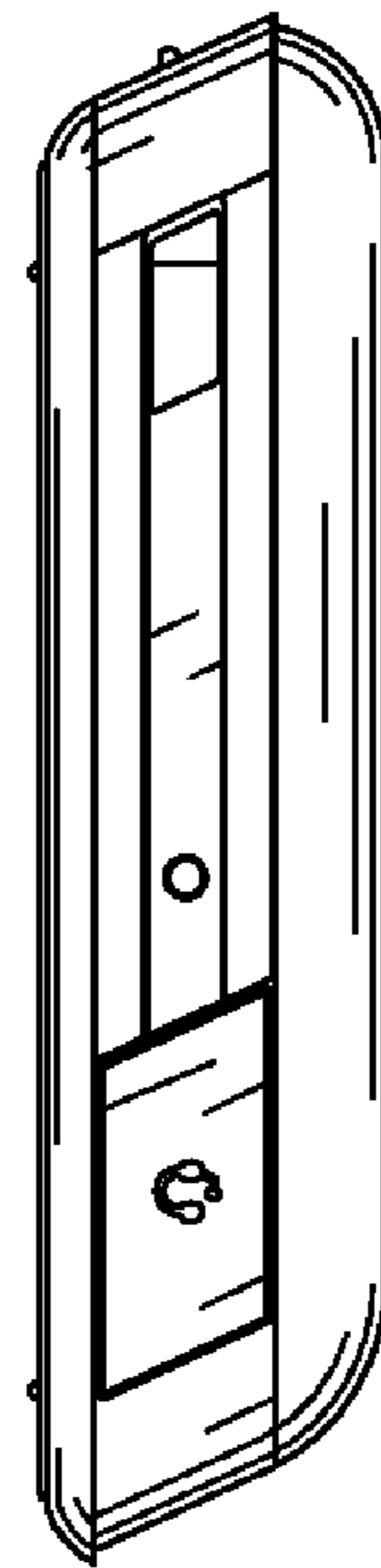


*FIG. 10*



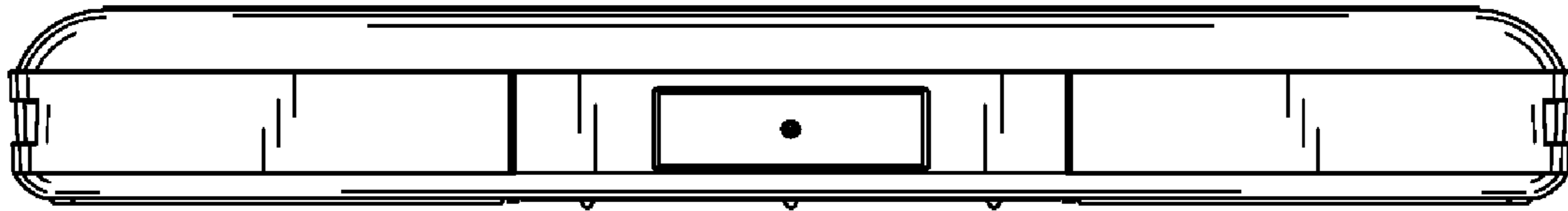


*FIG. 11*

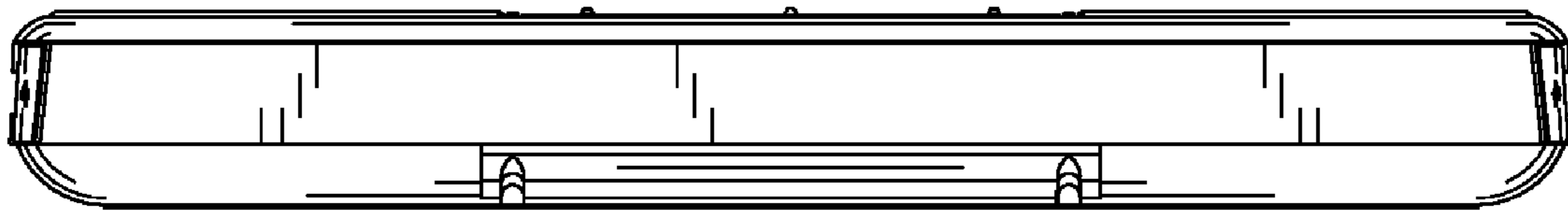


*FIG. 12*





*FIG. 13*



*FIG. 14*