



US00D568870S

(12) **United States Design Patent**
Anthony et al.

(10) **Patent No.: US D568,870 S**

(45) **Date of Patent: ** May 13, 2008**

(54) **LOUDSPEAKER**

(75) Inventors: **Philip Anthony**, Marlow Bottom (GB);
Bill Webb, London (GB); **Jason Baird**,
Ealing (GB)

(73) Assignee: **Martin Audio Limited**, High Wycombe
(GB)

(**) Term: **14 Years**

(21) Appl. No.: **29/270,125**

(22) Filed: **Dec. 15, 2006**

(51) **LOC (8) Cl.** **14-01**

(52) **U.S. Cl.** **D14/214; D14/215**

(58) **Field of Classification Search** D14/204,
D14/209–216; 181/143–144, 147–148, 150,
181/157, 198–199, 151, 153; 381/300–302,
381/306, 333, 345, 361–364, 386–388, 332,
381/336

See application file for complete search history.

(56) **References Cited**

U.S. PATENT DOCUMENTS

4,805,729	A *	2/1989	Wascom	181/144
D405,794	S *	2/1999	Olsen	D14/204
D468,724	S *	1/2003	Nugent et al.	D14/214
D469,754	S *	2/2003	Lewis	D14/215
D498,471	S *	11/2004	Solland et al.	D14/215

* cited by examiner

Primary Examiner—Nanda Bondade

(74) *Attorney, Agent, or Firm*—Venable LLP; Robert
Kinberg

(57) **CLAIM**

The ornamental design for a loudspeaker, as shown and
described.

DESCRIPTION

FIG. 1 is a perspective view from the front-top-right side of
the loudspeaker showing our new design;

FIG. 2 is a front view of the design shown in FIG. 1;

FIG. 3 is a rear view of the design shown in FIG. 1;

FIG. 4 is a right side view of the design shown in FIG. 1;

FIG. 5 is a top view of the design shown in FIG. 1;

FIG. 6 is a bottom view of the design shown in FIG. 1;

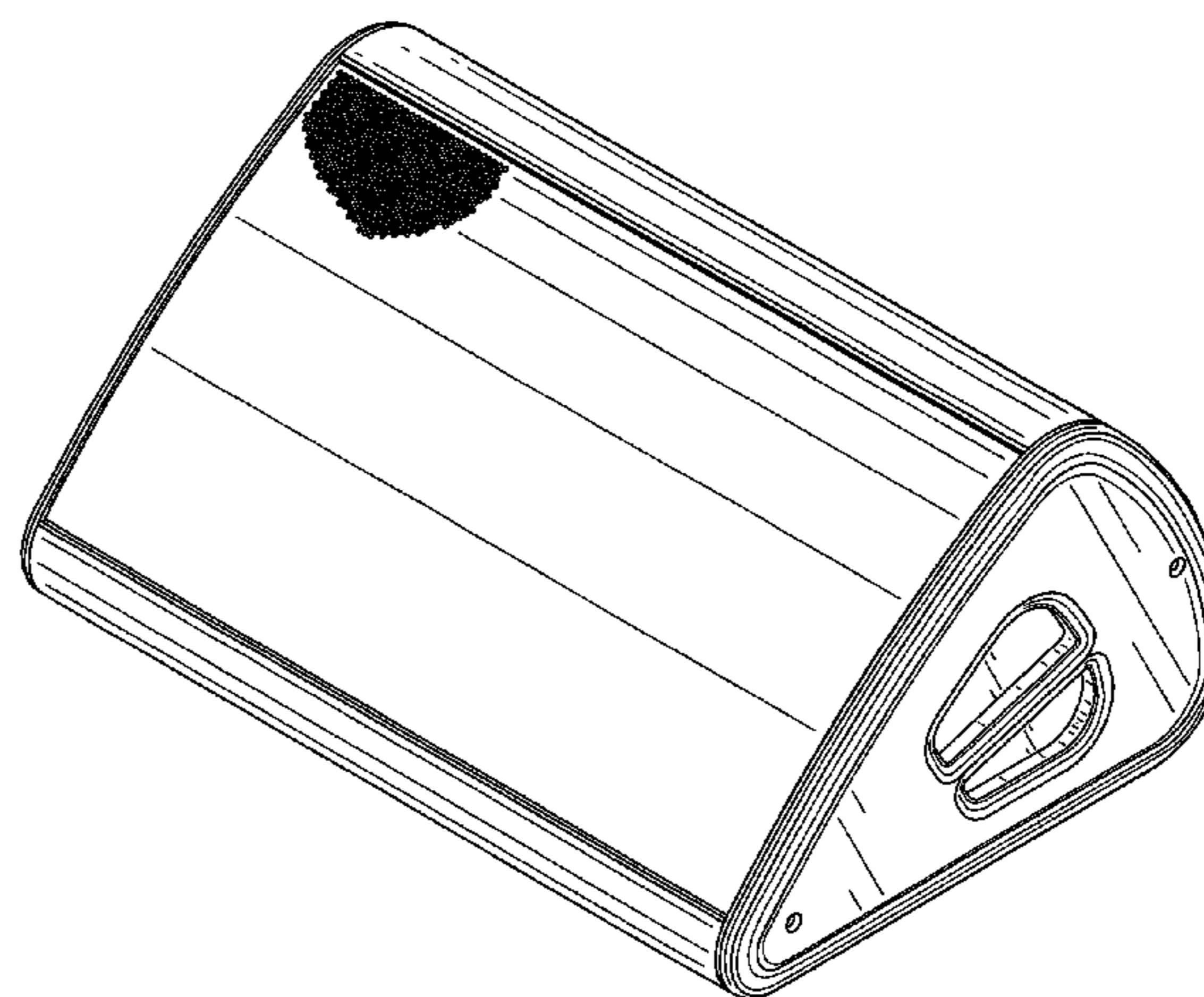
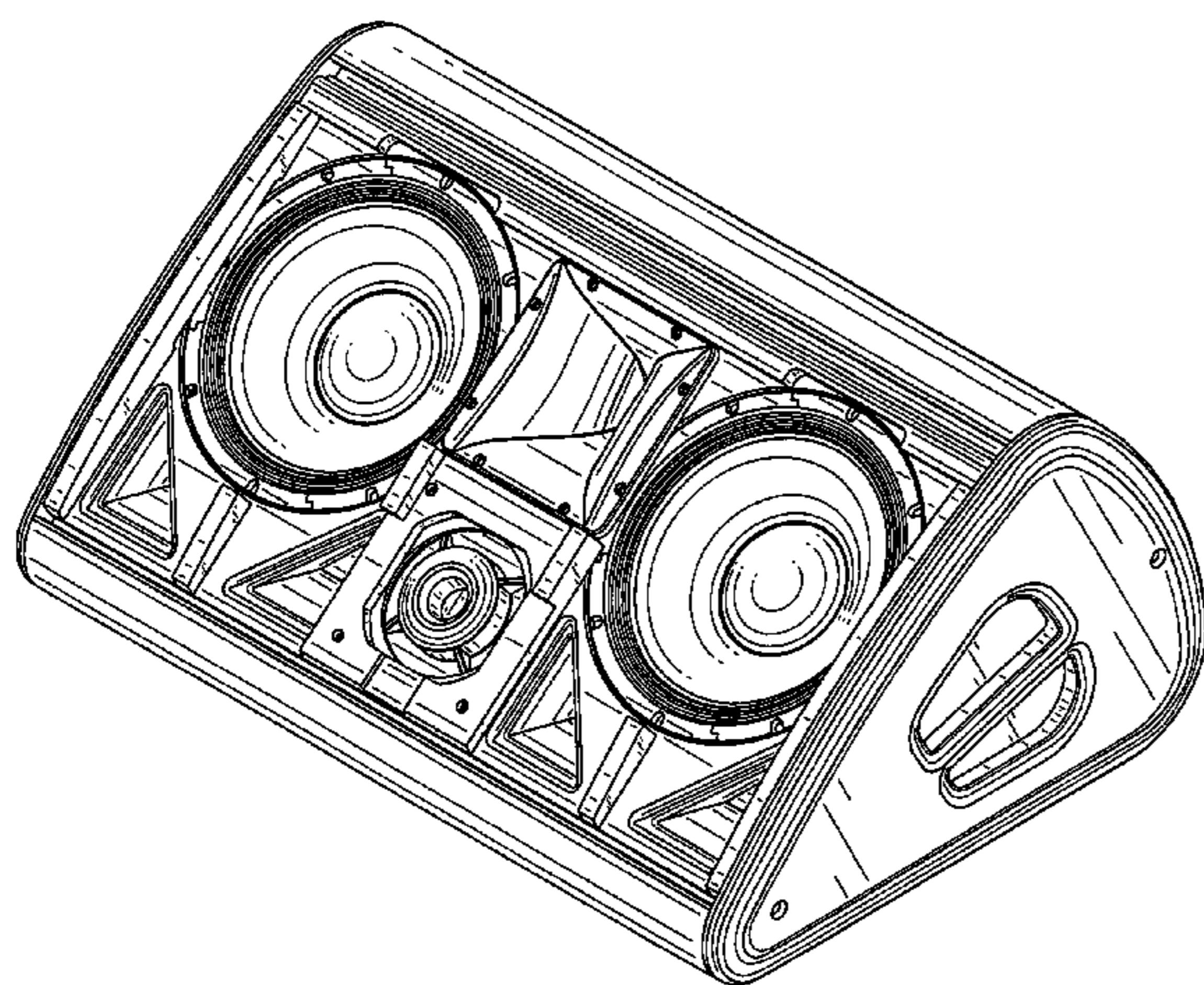
FIG. 7 is a perspective view from the rear-top-left side of the
design shown in FIG. 1;

FIG. 8 is a perspective view from the front-top-right side of
the design as shown in FIG. 1 with a detachable grille on the
loudspeaker, wherein the grille pattern is only partially
shown for ease of illustration; and,

FIG. 9 is a perspective view from the rear-top-left side of the
design as shown in FIG. 1 with a detachable grille on the
loudspeaker, wherein the grille pattern is only partially
shown for ease of illustration.

FIGS. 2–6 are on an enlarged scale.

1 Claim, 9 Drawing Sheets



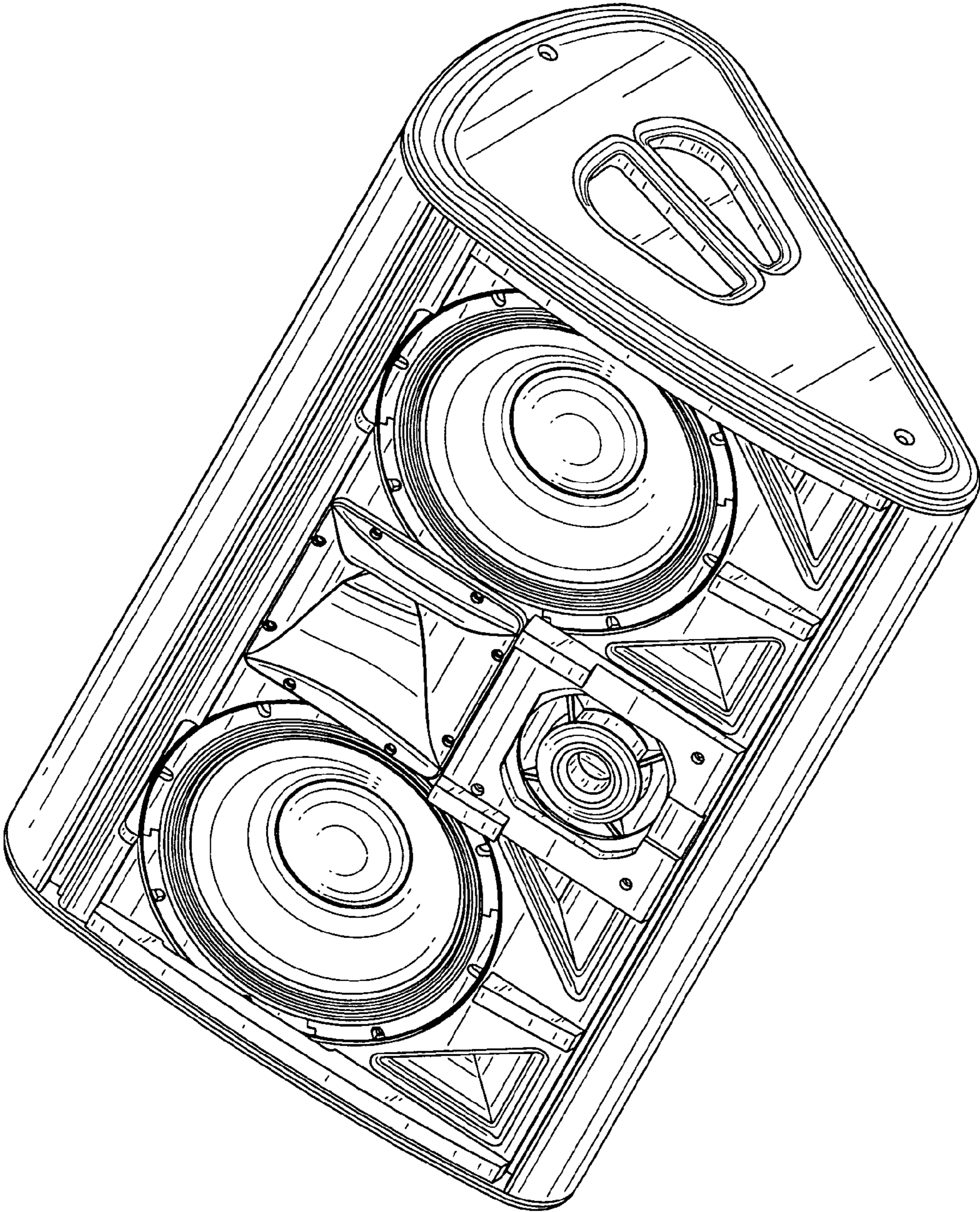


FIG. 1

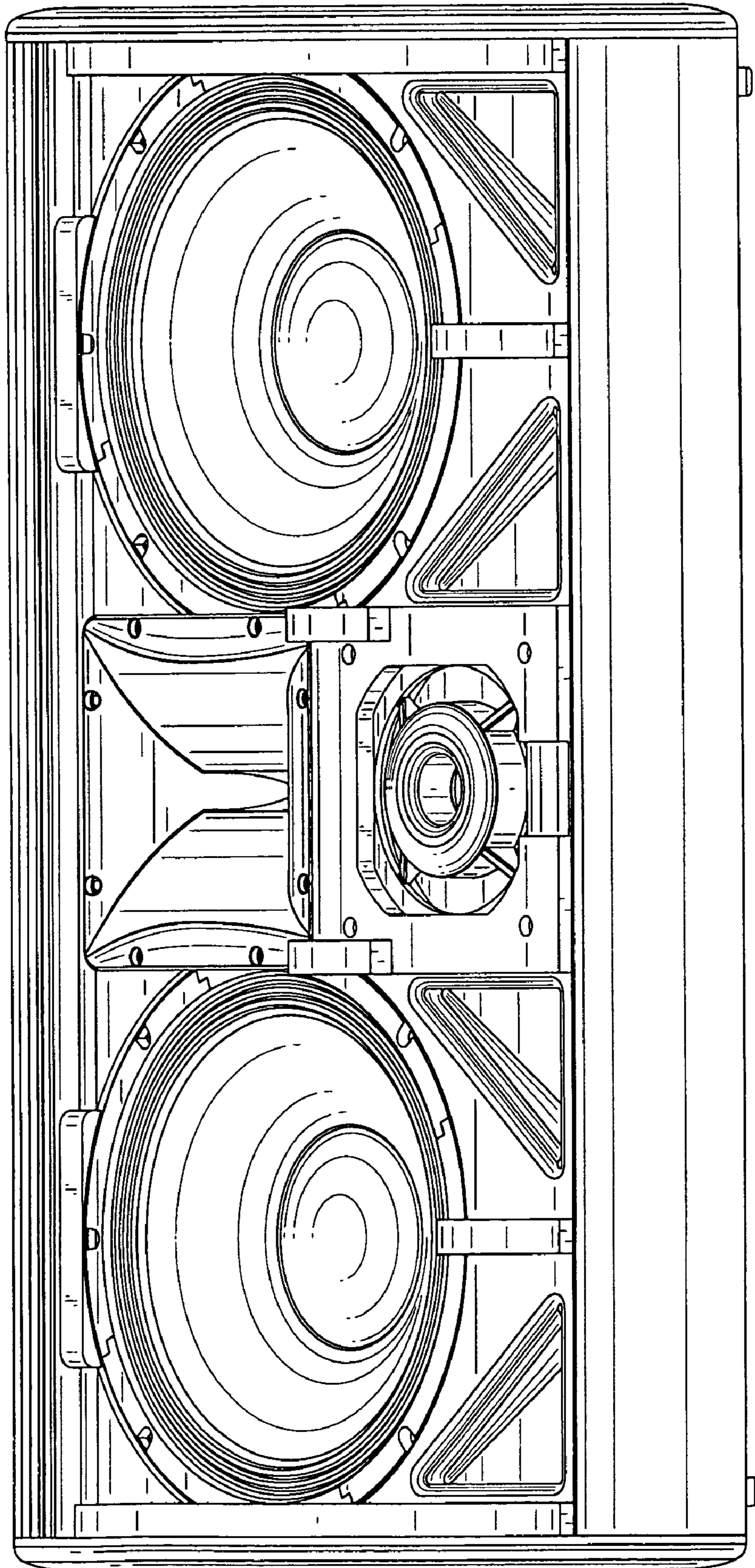


FIG. 2

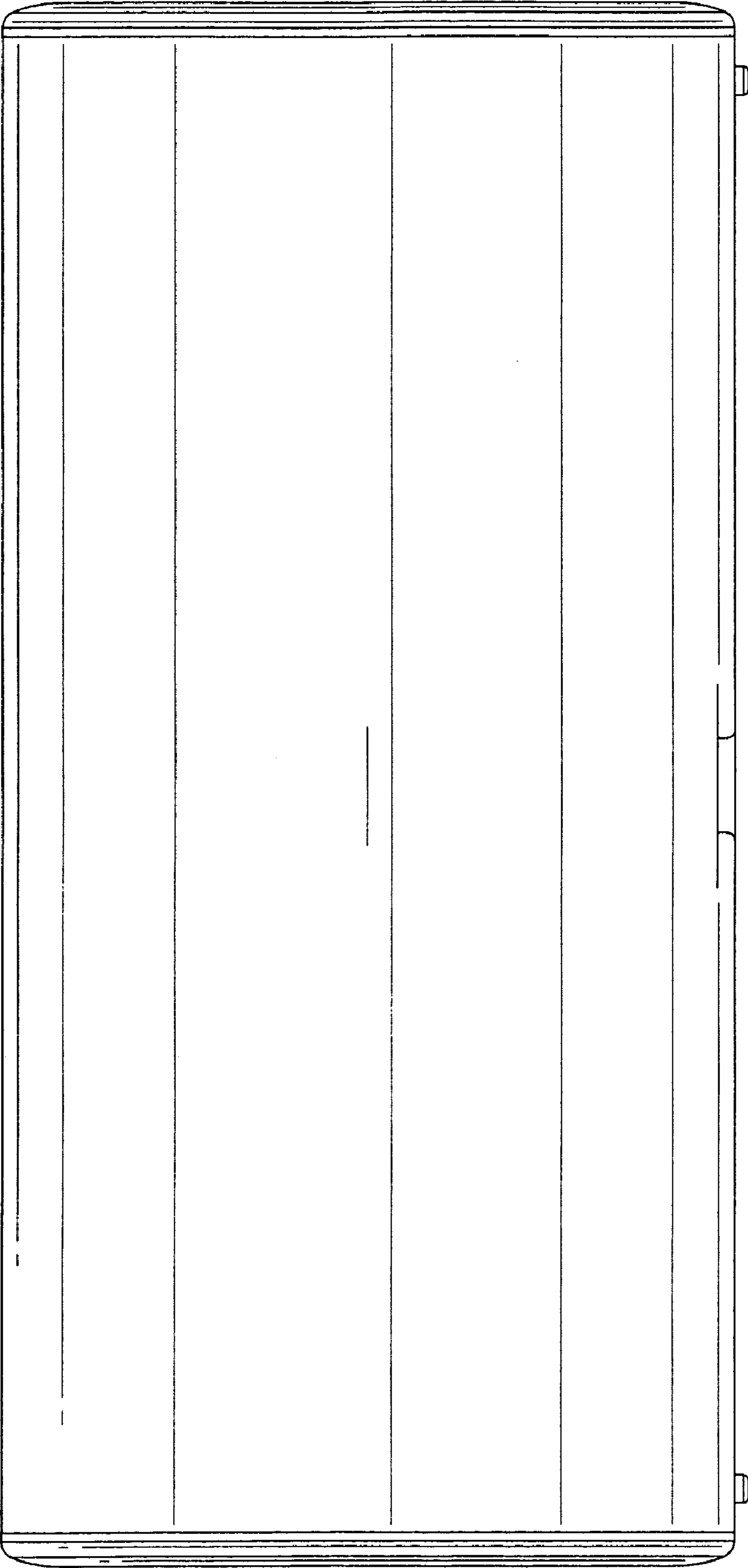


FIG. 3

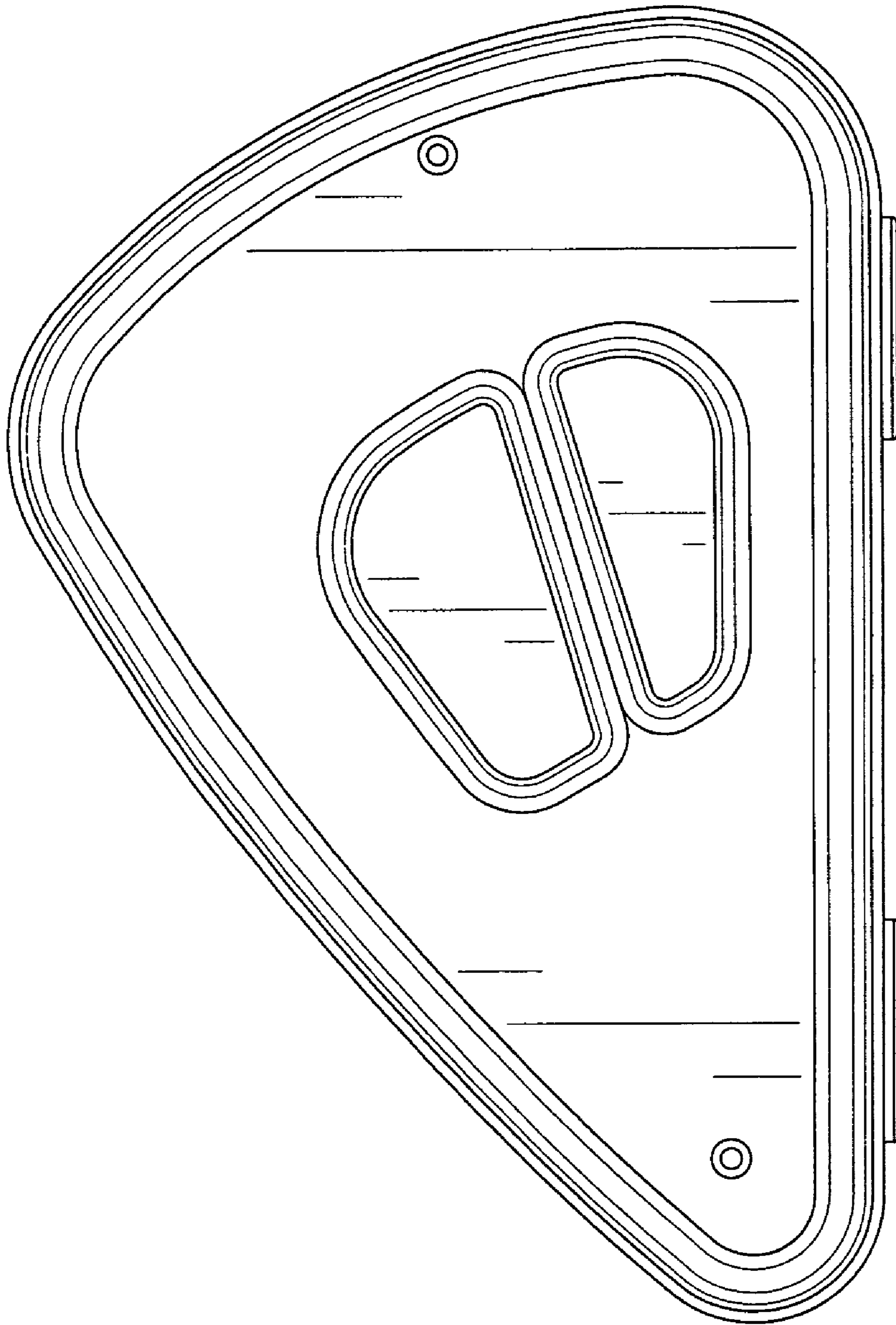


FIG. 4

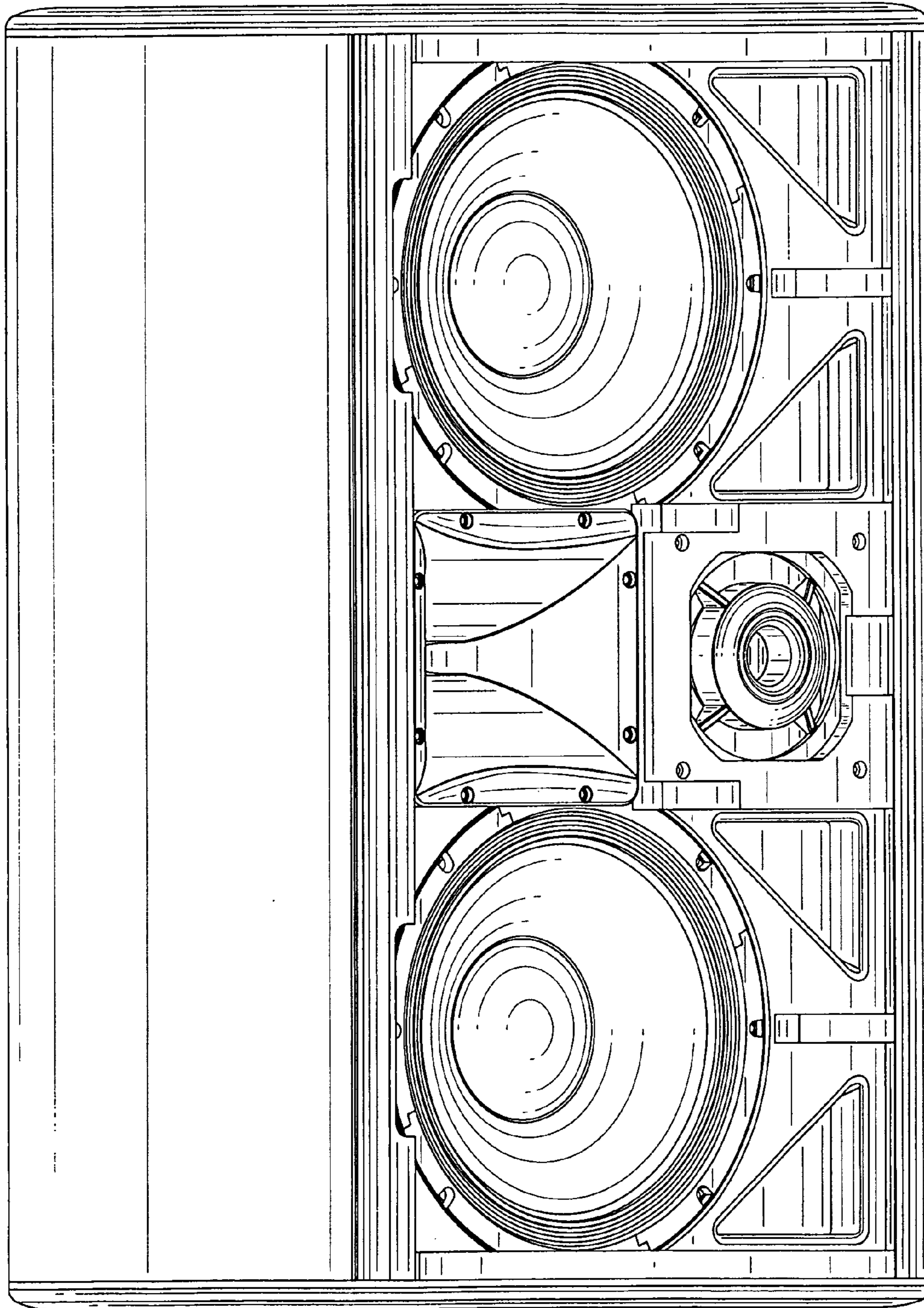


FIG. 5

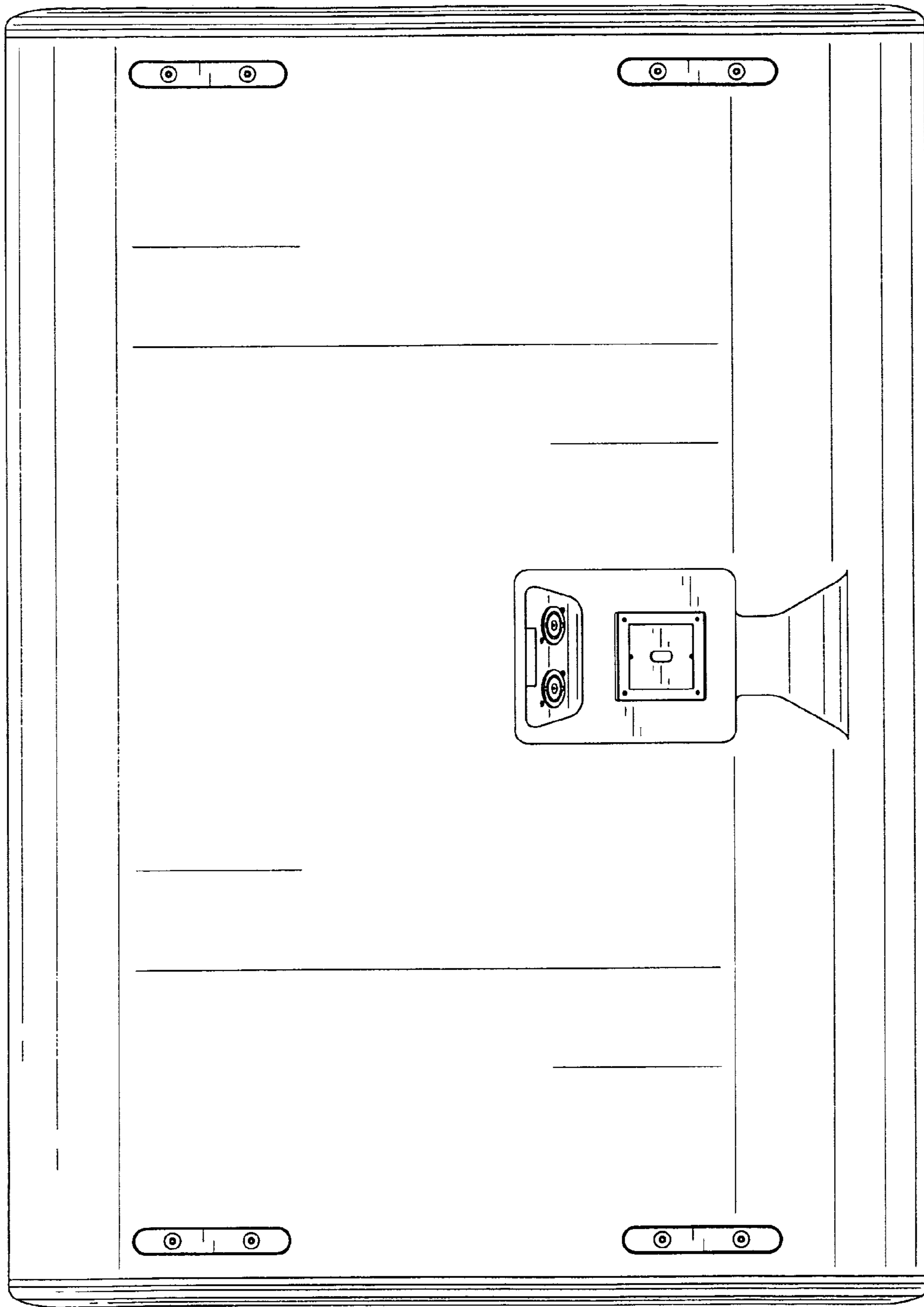


FIG. 6

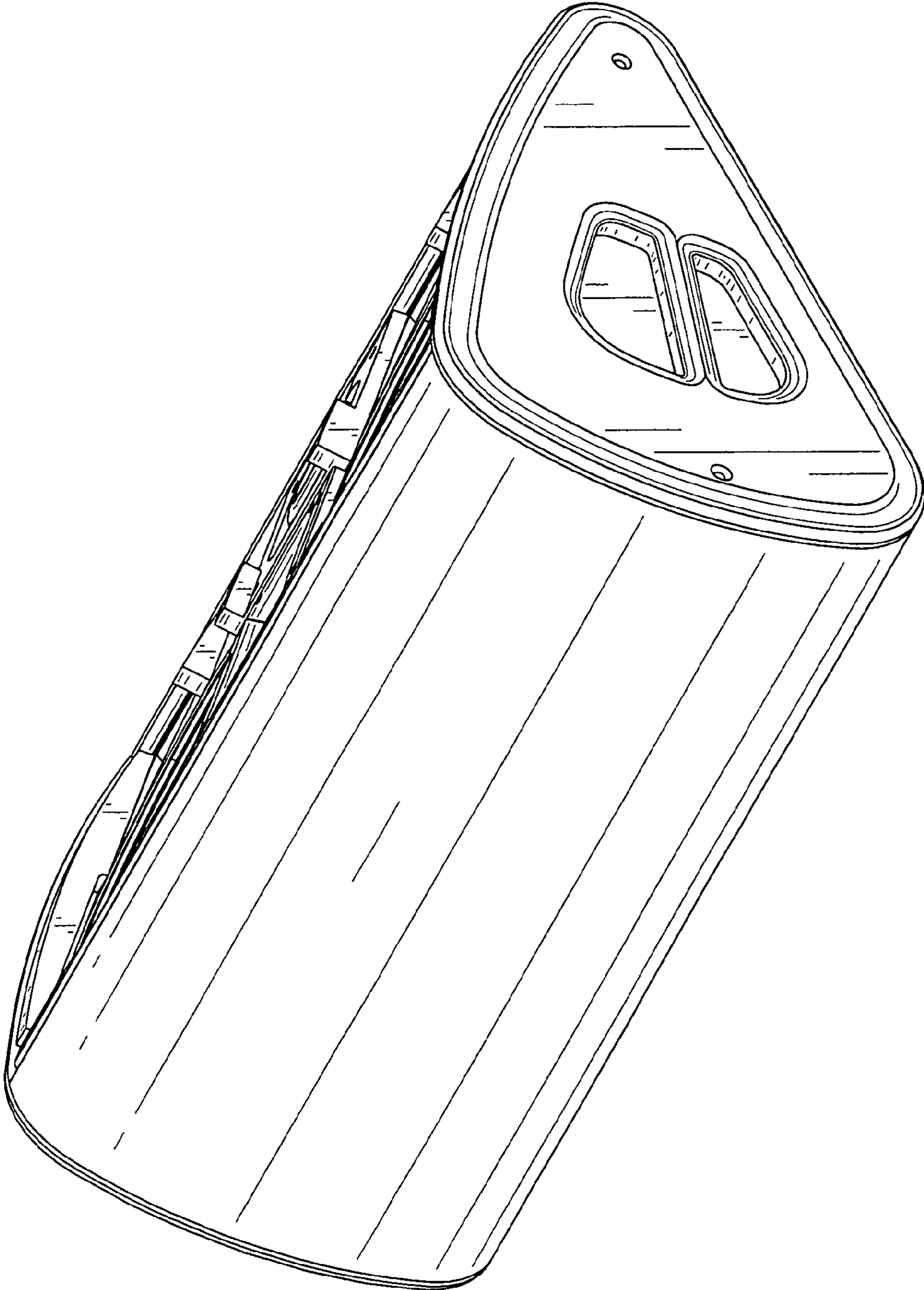


FIG. 7

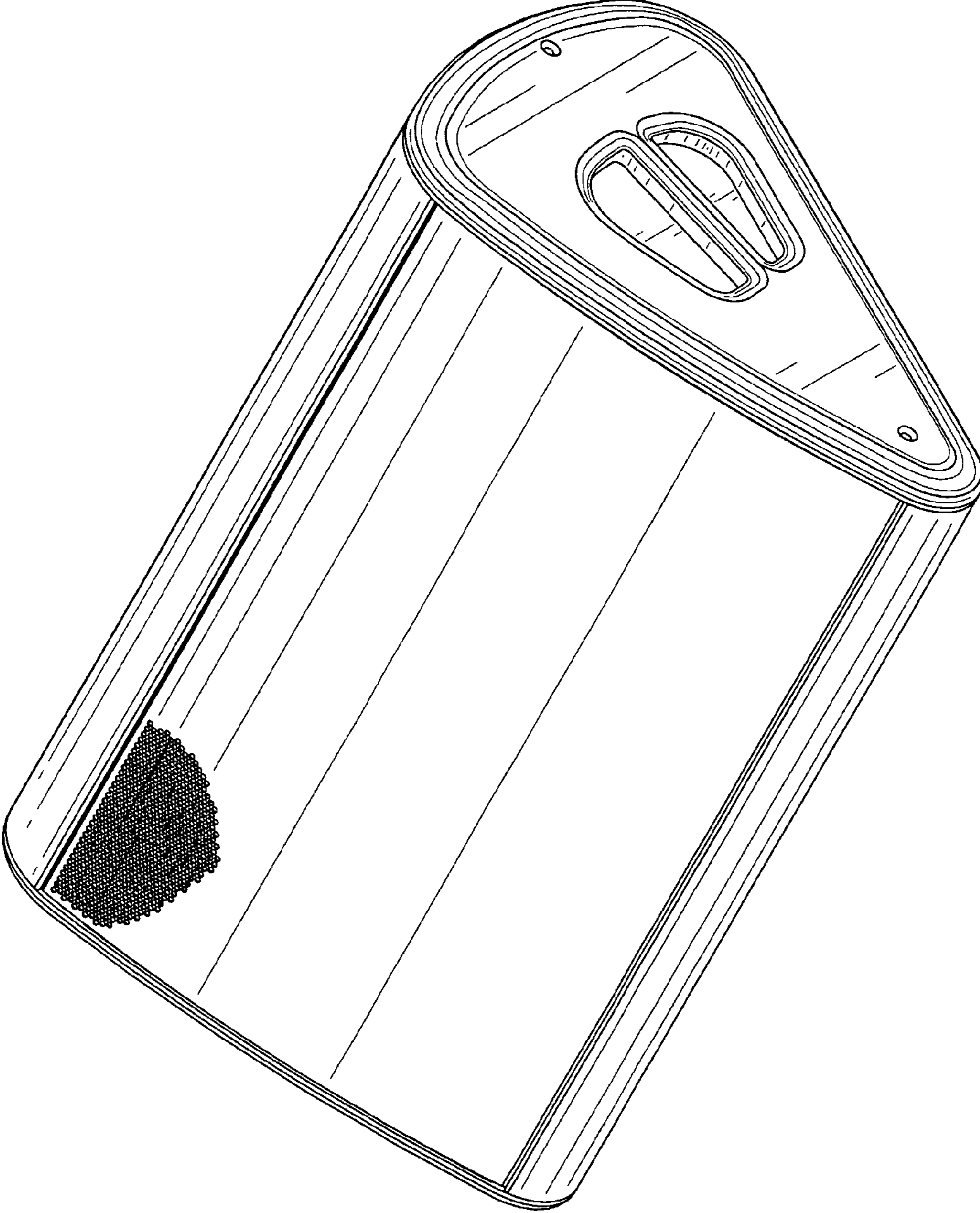


FIG. 8

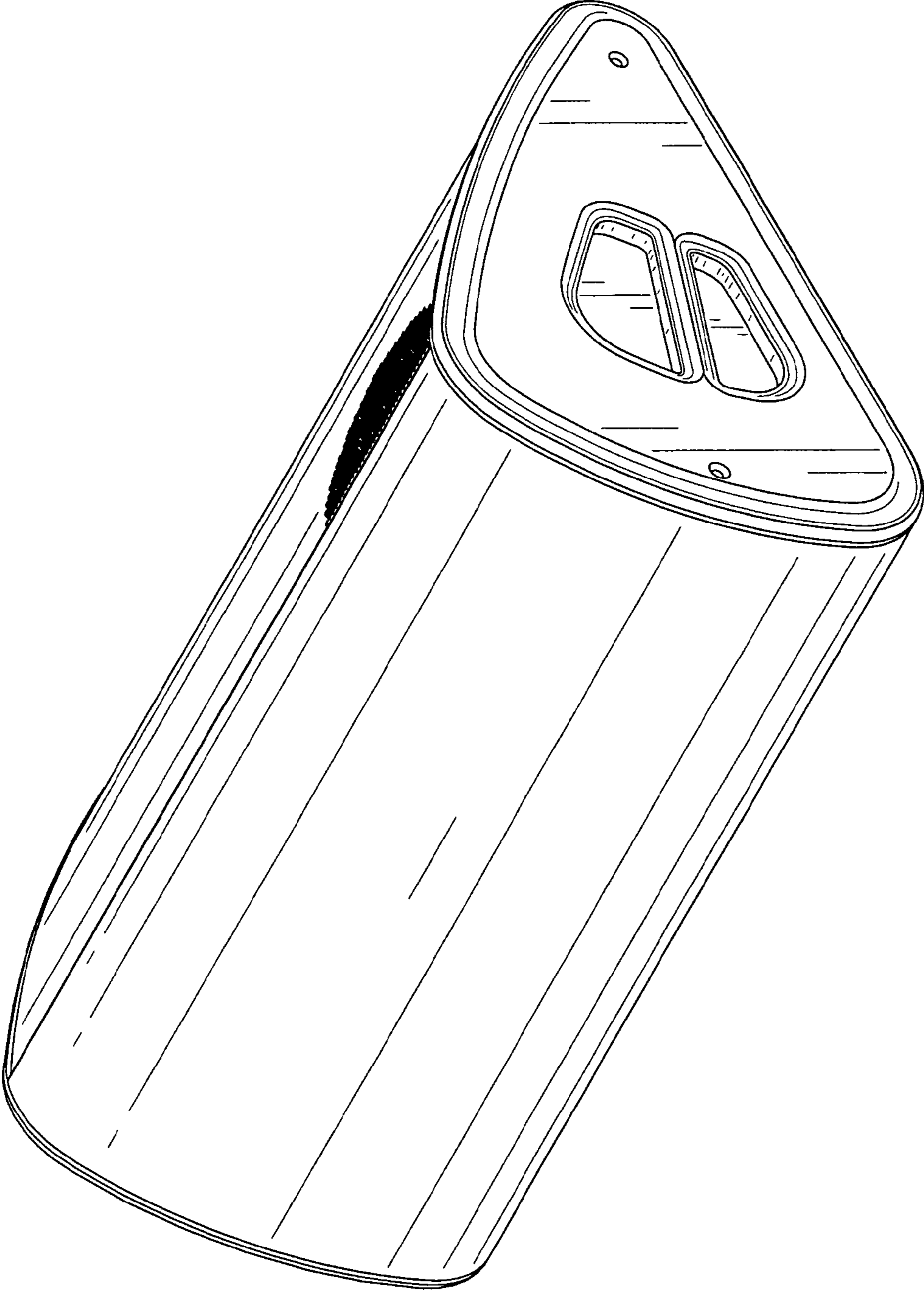


FIG. 9