



US00D568869S

(12) **United States Design Patent**
Anthony et al.

(10) **Patent No.:** **US D568,869 S**
(45) **Date of Patent:** **** May 13, 2008**

(54) **LOUDSPEAKER**

DESCRIPTION

(75) Inventors: **Philip Anthony**, Marlow Bottom (GB);
Bill Webb, London (GB); **Jason Baird**,
Ealing (GB)

(73) Assignee: **Martin Audio Limited**, High Wycombe
(GB)

(**) Term: **14 Years**

(21) Appl. No.: **29/270,123**

(22) Filed: **Dec. 15, 2006**

(51) **LOC (8) Cl.** **14-01**

(52) **U.S. Cl.** **D14/214; D14/215**

(58) **Field of Classification Search** D14/204,
D14/209–216; 181/143–144, 147–148, 150,
181/157, 198–199, 151, 153; 381/300–302,
381/306, 333, 345, 361–364, 386–388, 332,
381/336

See application file for complete search history.

(56) **References Cited**

U.S. PATENT DOCUMENTS

4,805,729	A *	2/1989	Wascom	181/144
D405,794	S *	2/1999	Olsen	D14/204
D468,724	S *	1/2003	Nugent et al.	D14/214
D469,754	S *	2/2003	Lewis	D14/215
D498,471	S *	11/2004	Solland et al.	D14/215

* cited by examiner

Primary Examiner—Nanda Bondade

(74) *Attorney, Agent, or Firm*—Venable LLP; Robert Kinberg

(57) **CLAIM**

The ornamental design for a loudspeaker, as shown and described.

FIG. 1 is a perspective view from the front-top-left side of the loudspeaker showing a first embodiment of our new design with a detachable grille closed on the loudspeaker, wherein the grille pattern is only partially shown for ease of illustration;

FIG. 2 is a front view of the design shown in FIG. 1, wherein the grille pattern is only partially shown for ease of illustration;

FIG. 3 is a rear view of the design shown in FIG. 1;

FIG. 4 is a right side view of the design shown in FIG. 1;

FIG. 5 is a top view of the design shown in FIG. 1, wherein the grille pattern is only partially shown for ease of illustration;

FIG. 6 is a bottom view of the design shown in FIG. 1;

FIG. 7 is a perspective view from the rear-top-right side of the design shown in FIG. 1;

FIG. 8 is a perspective view from the front-top-right side of FIG. 1 with the detachable grille removed;

FIG. 9 is a front view of the design shown in FIG. 8;

FIG. 10 is a top view of the design shown in FIG. 8;

FIG. 11 is a perspective view from the front-top-left side of a second embodiment of FIG. 1 with the detachable grille removed;

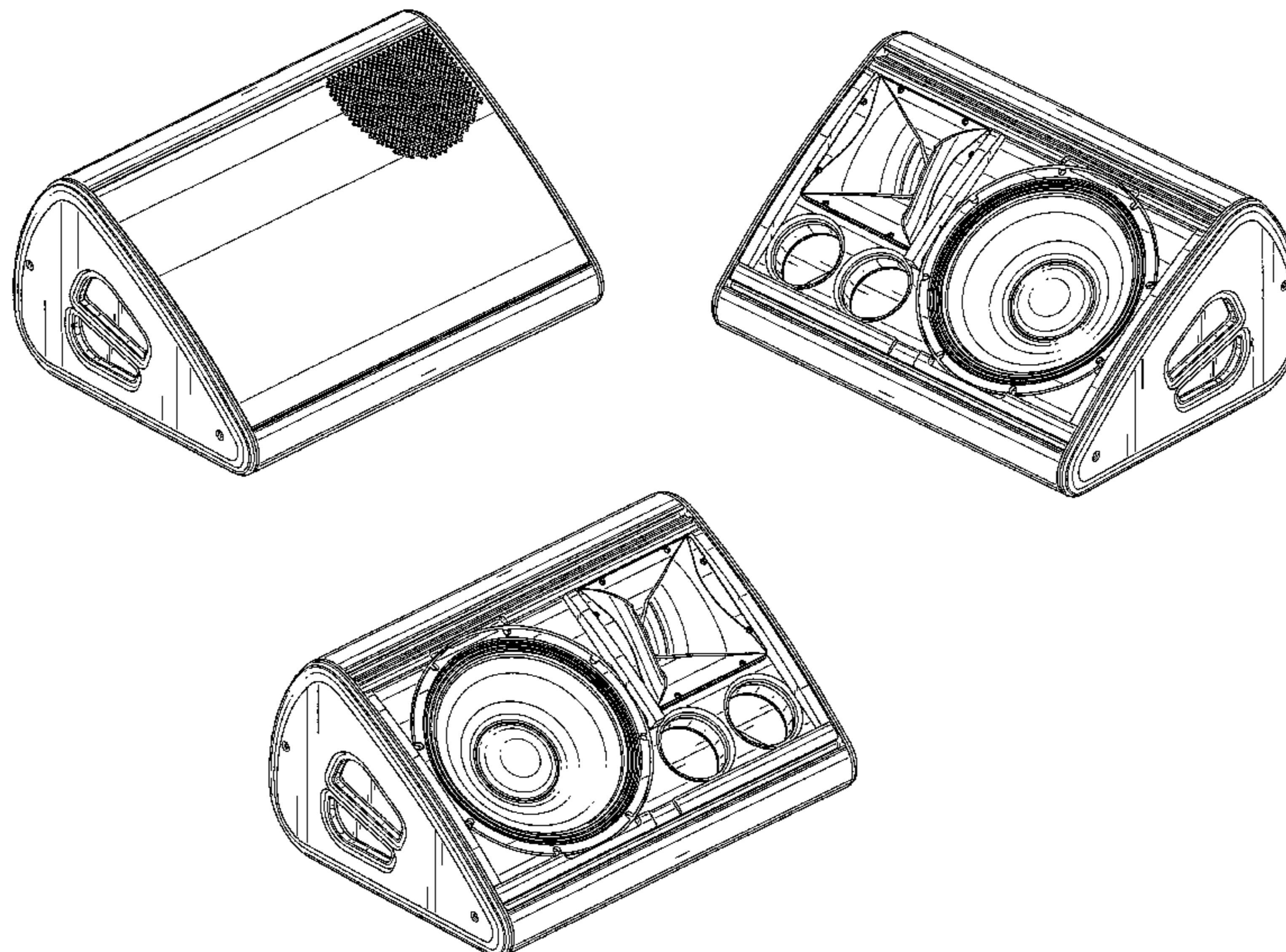
FIG. 12 is a front view of the design shown in FIG. 11; and,

FIG. 13 is a top view of the design shown in FIG. 11.

FIGS. 2–6, 9–10 and 12–13 are on an enlarged scale.

The left side view of the design in the first embodiment (not shown in the FIGS. 1–7) is symmetrical to the right side shown in FIG. 4. The omitted views of the second embodiment share common views as the first embodiment.

1 Claim, 13 Drawing Sheets



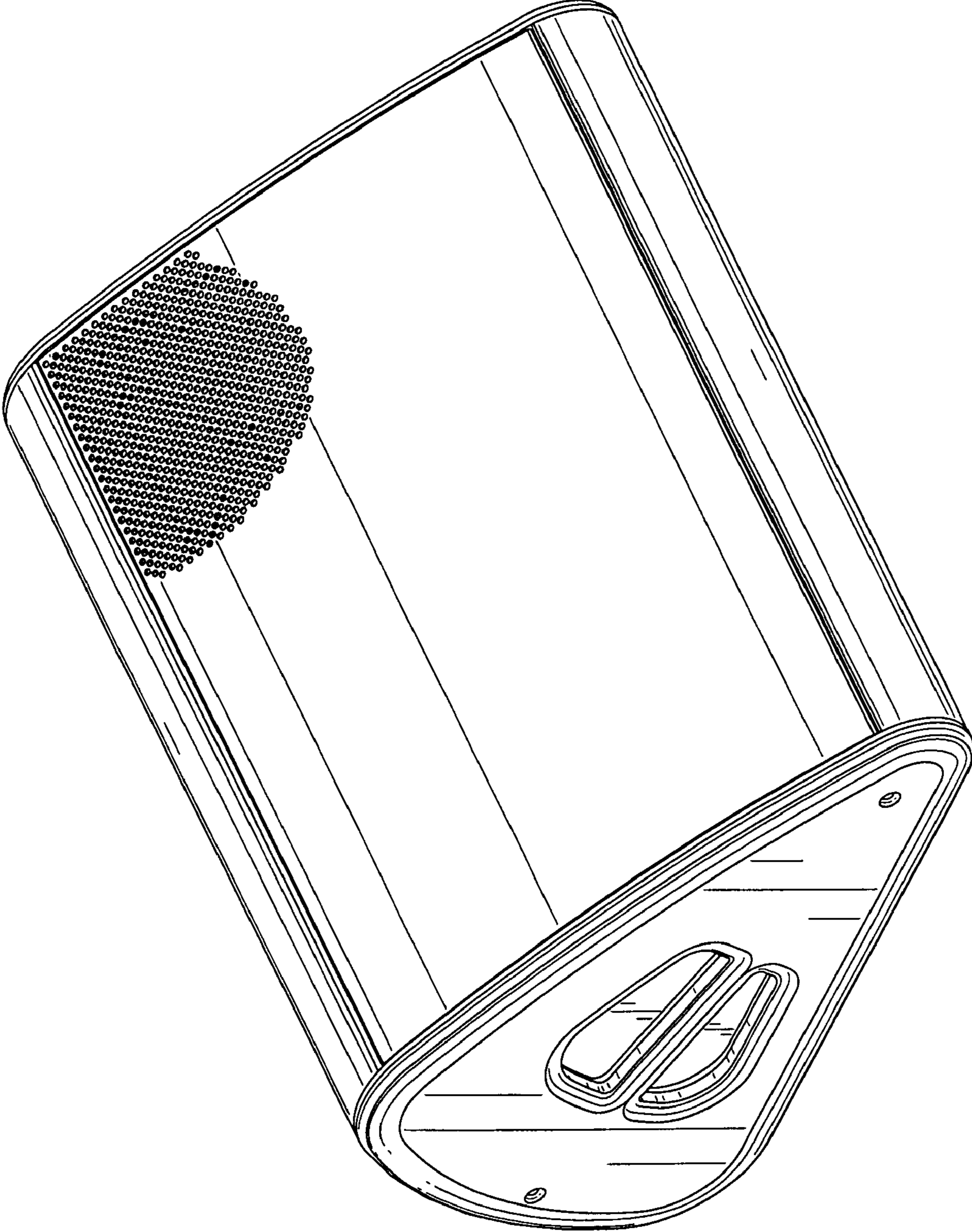


FIG. 1

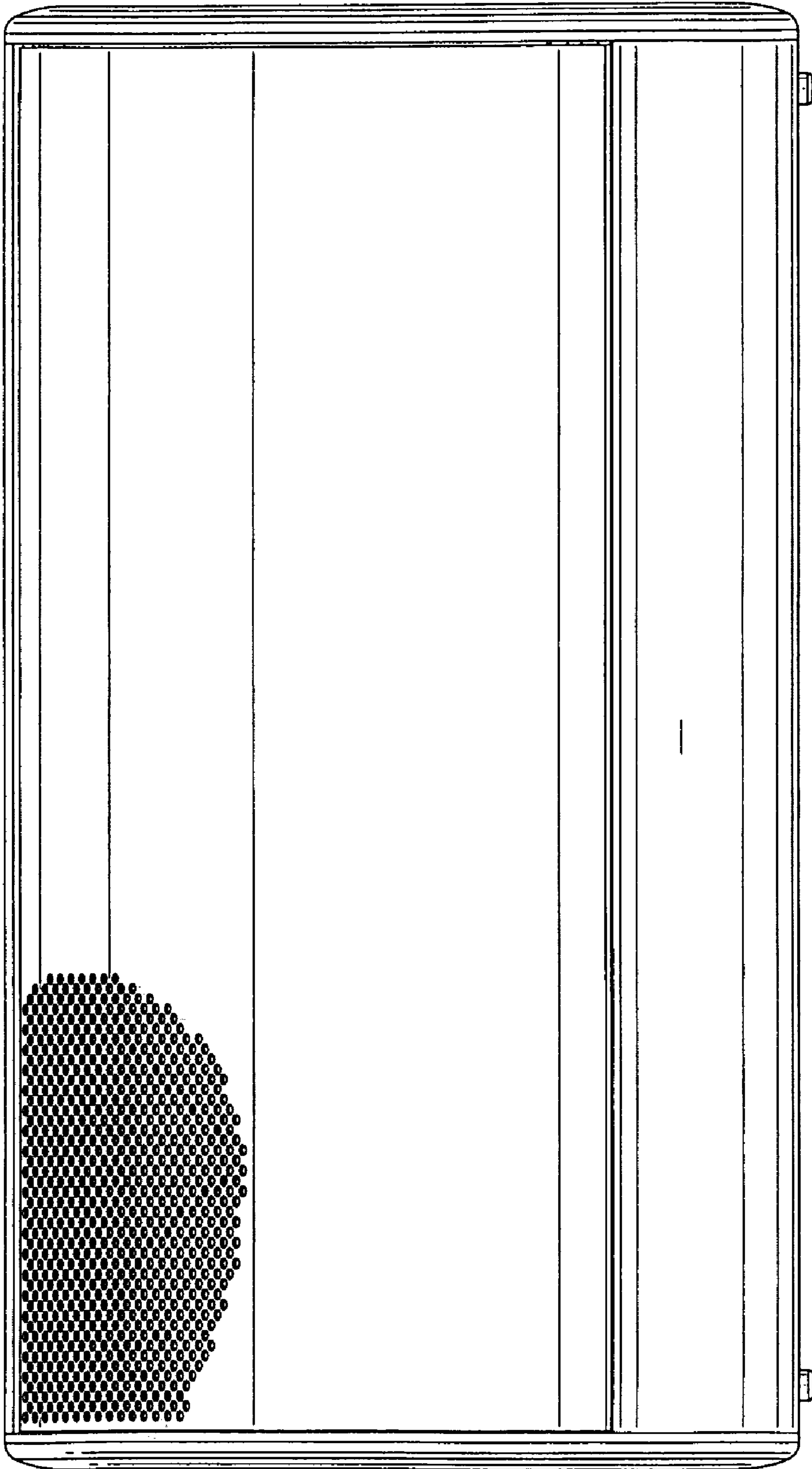


FIG. 2

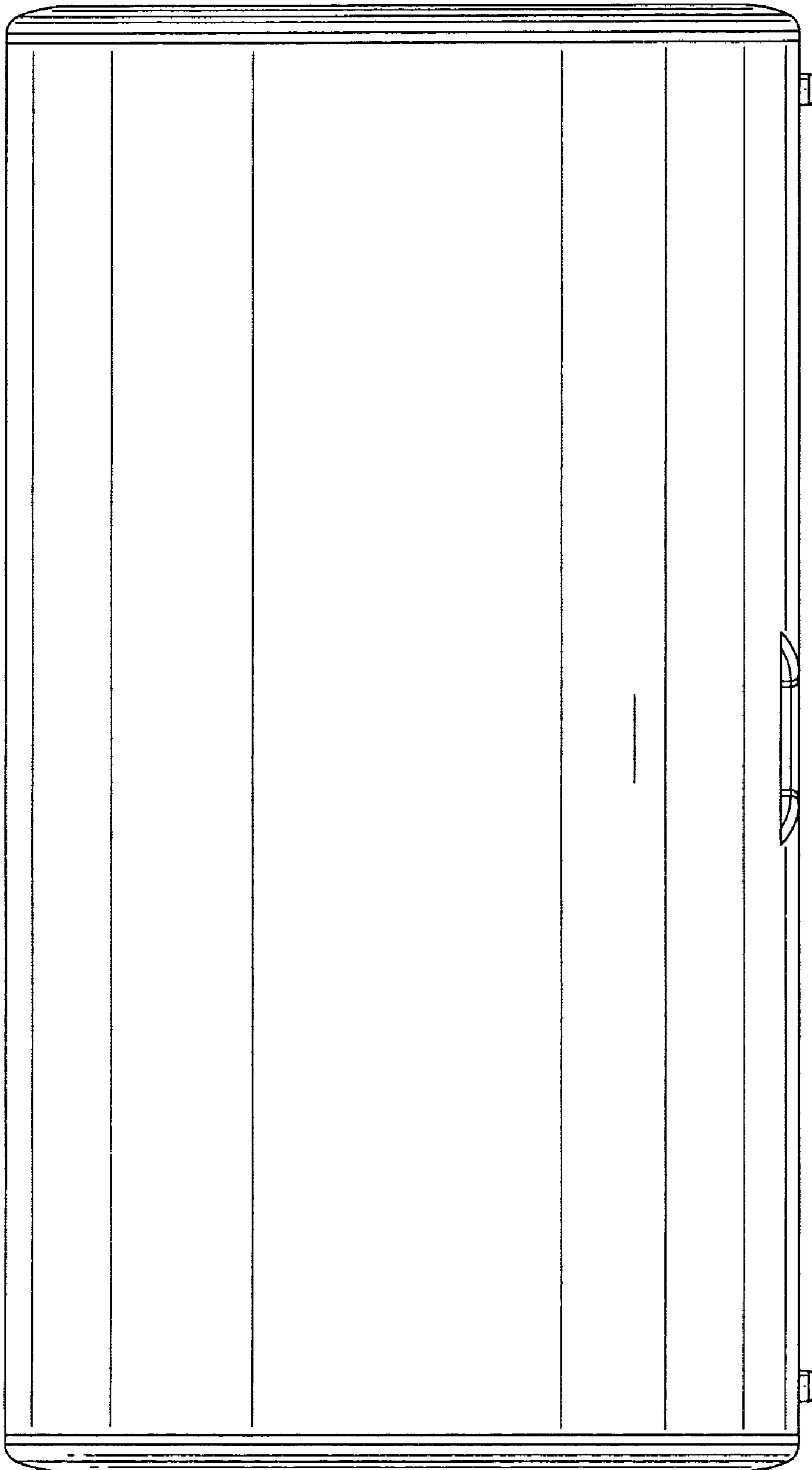


FIG. 3

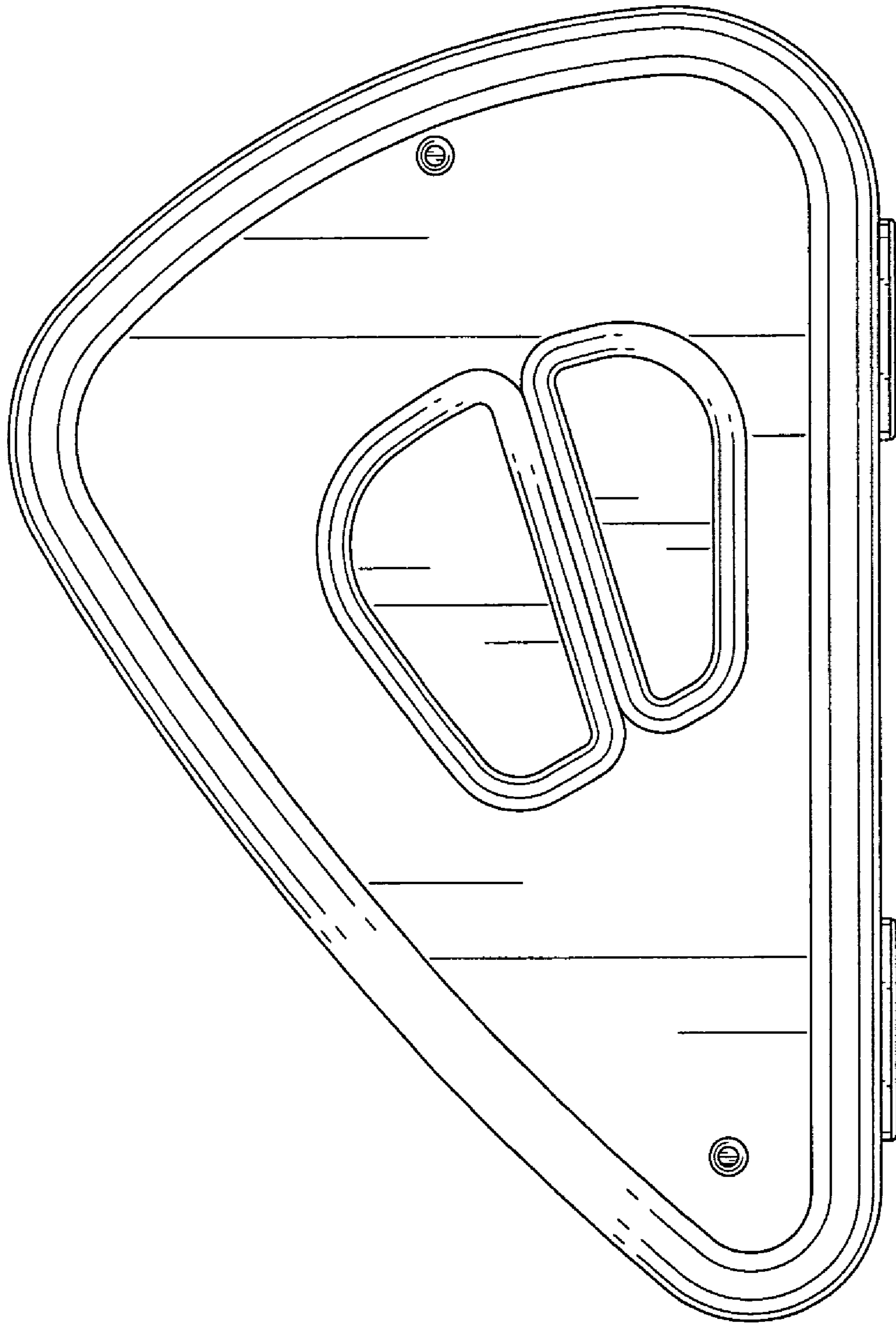


FIG. 4

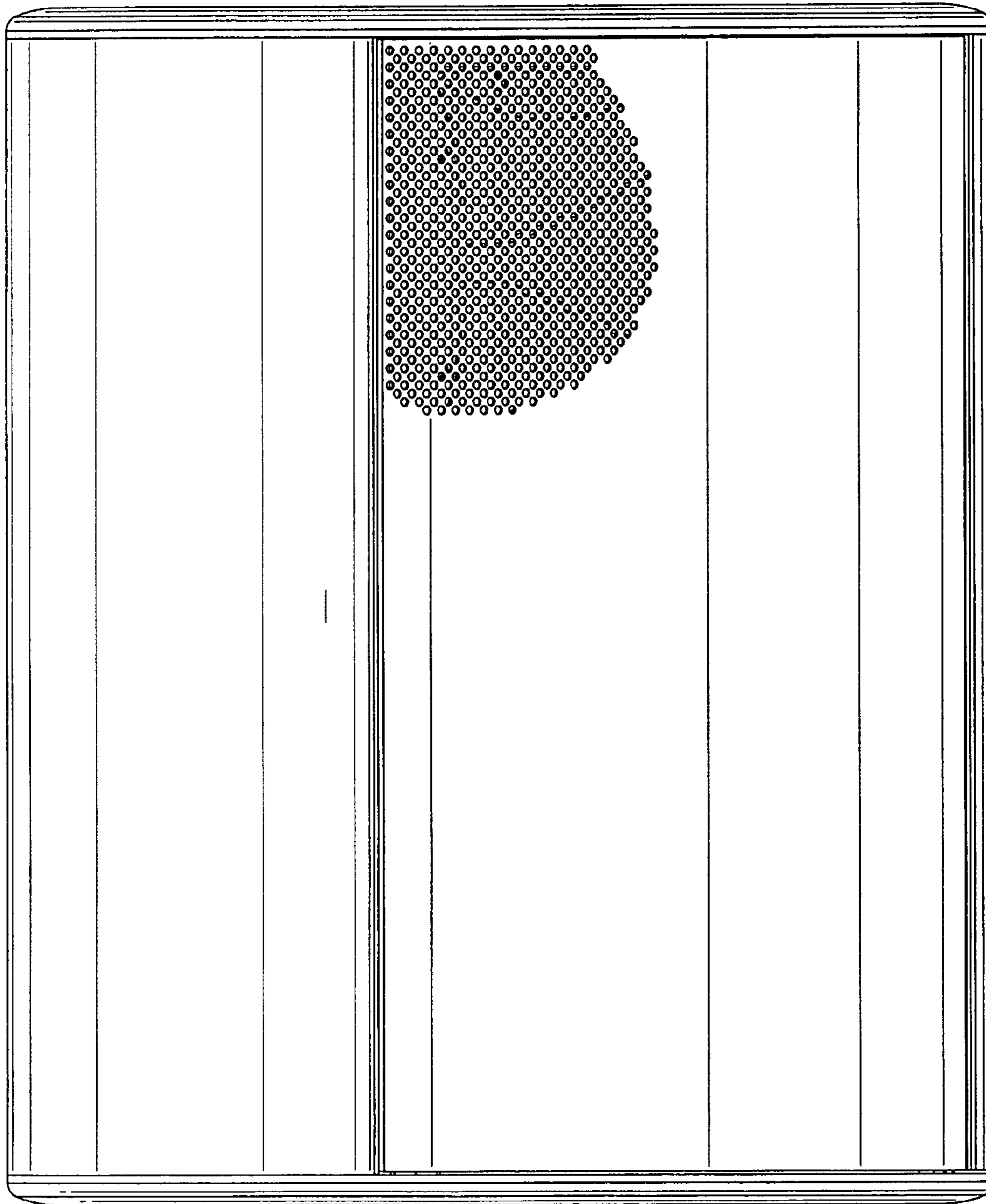


FIG. 5

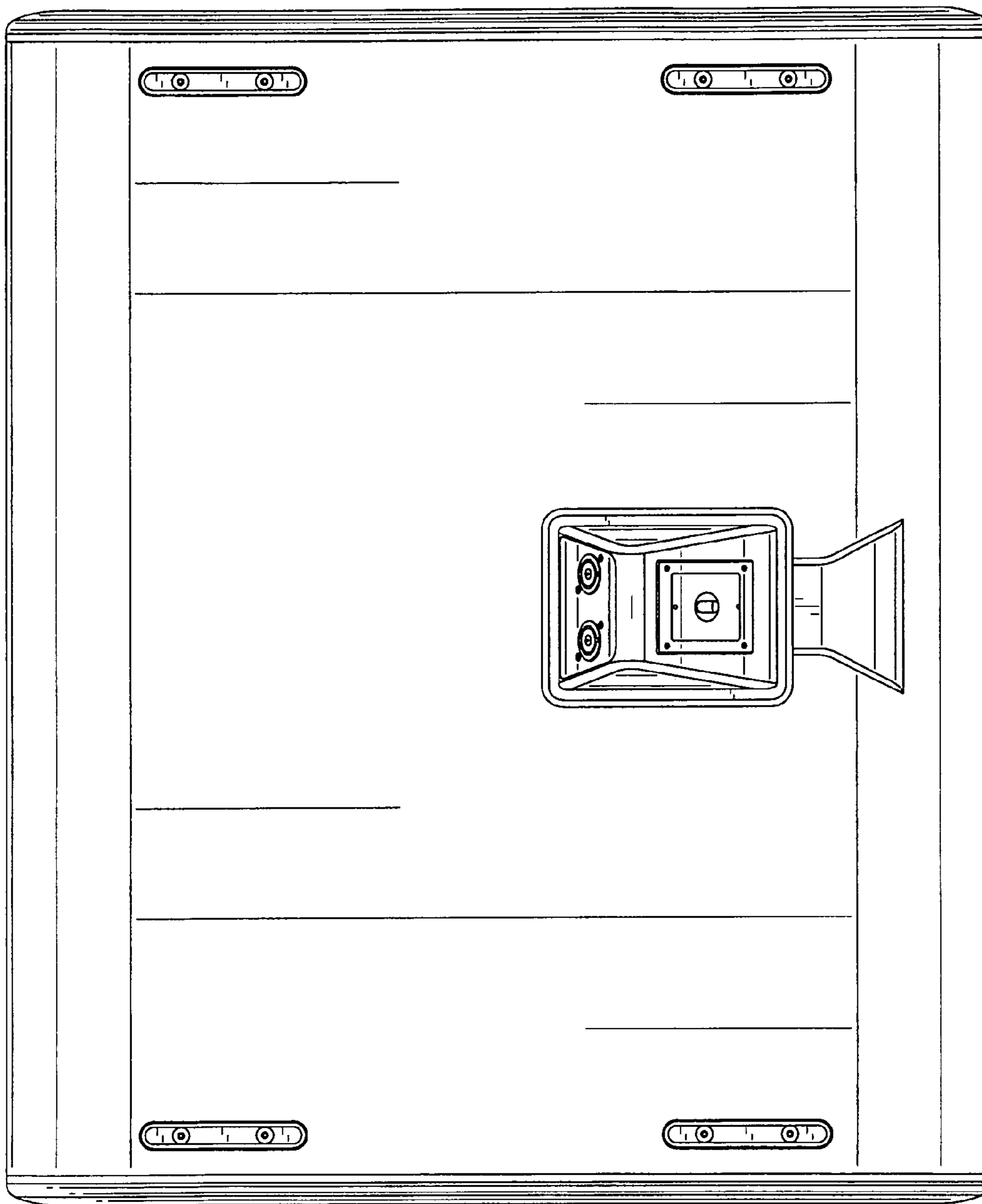


FIG. 6

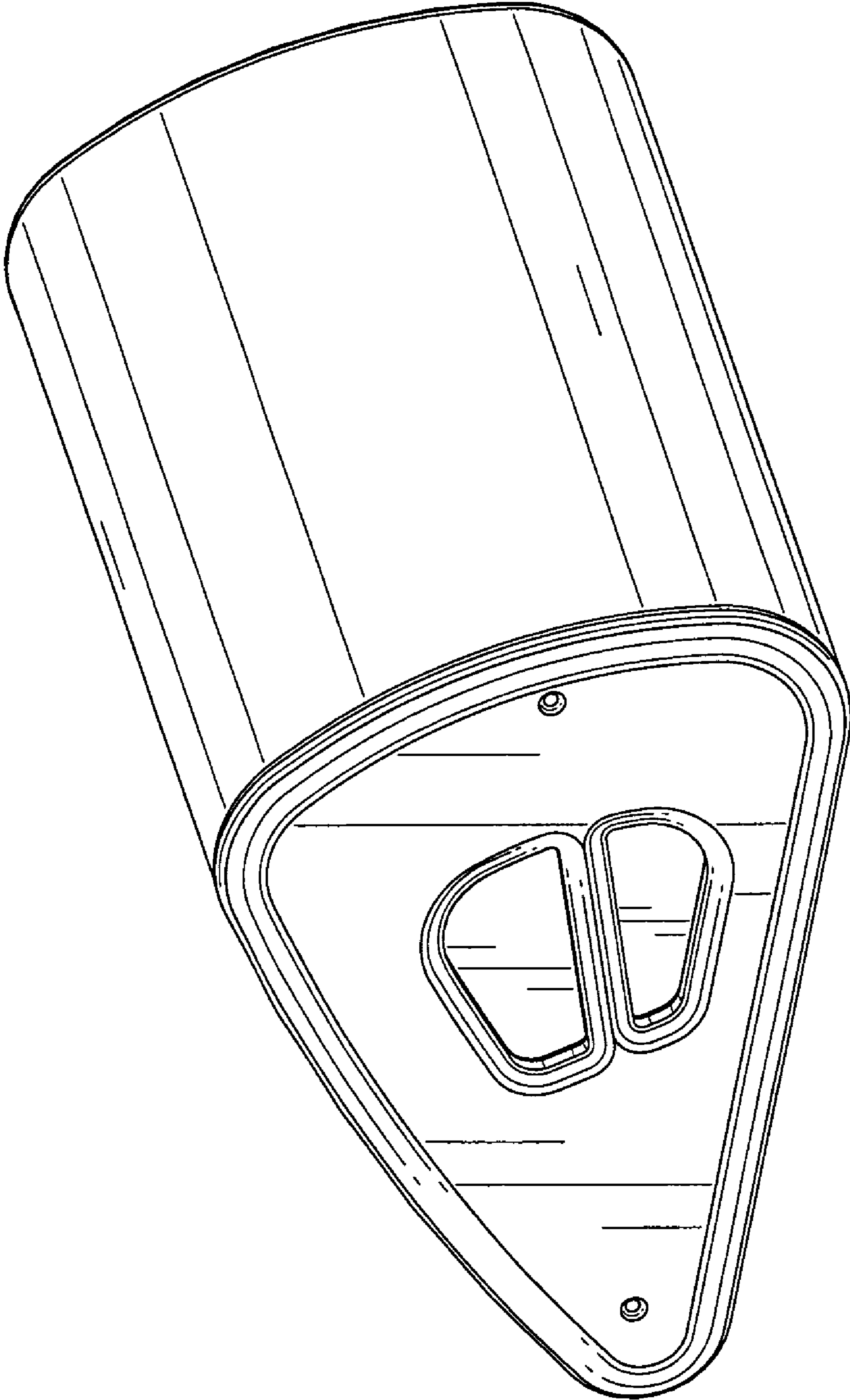


FIG. 7

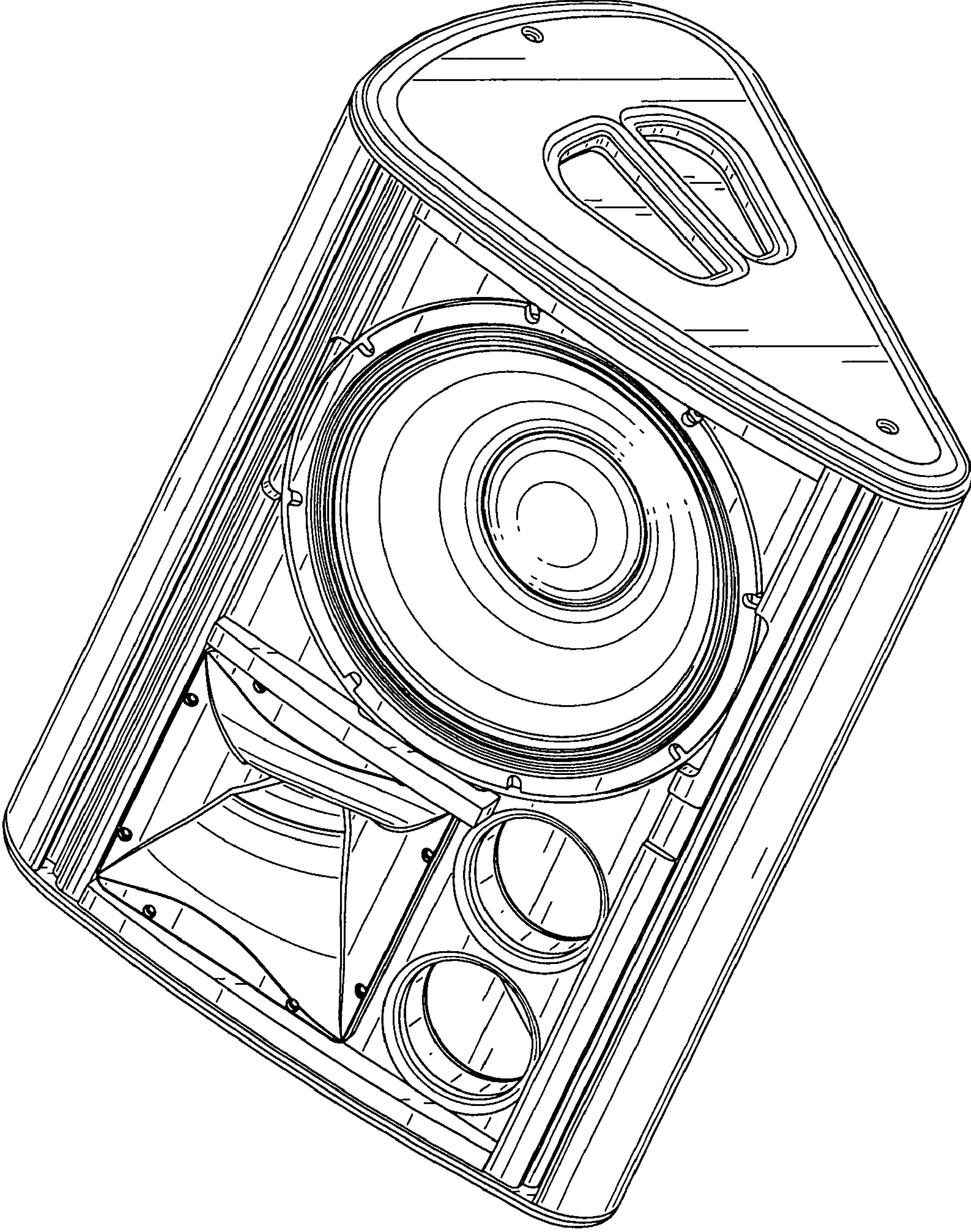


FIG. 8

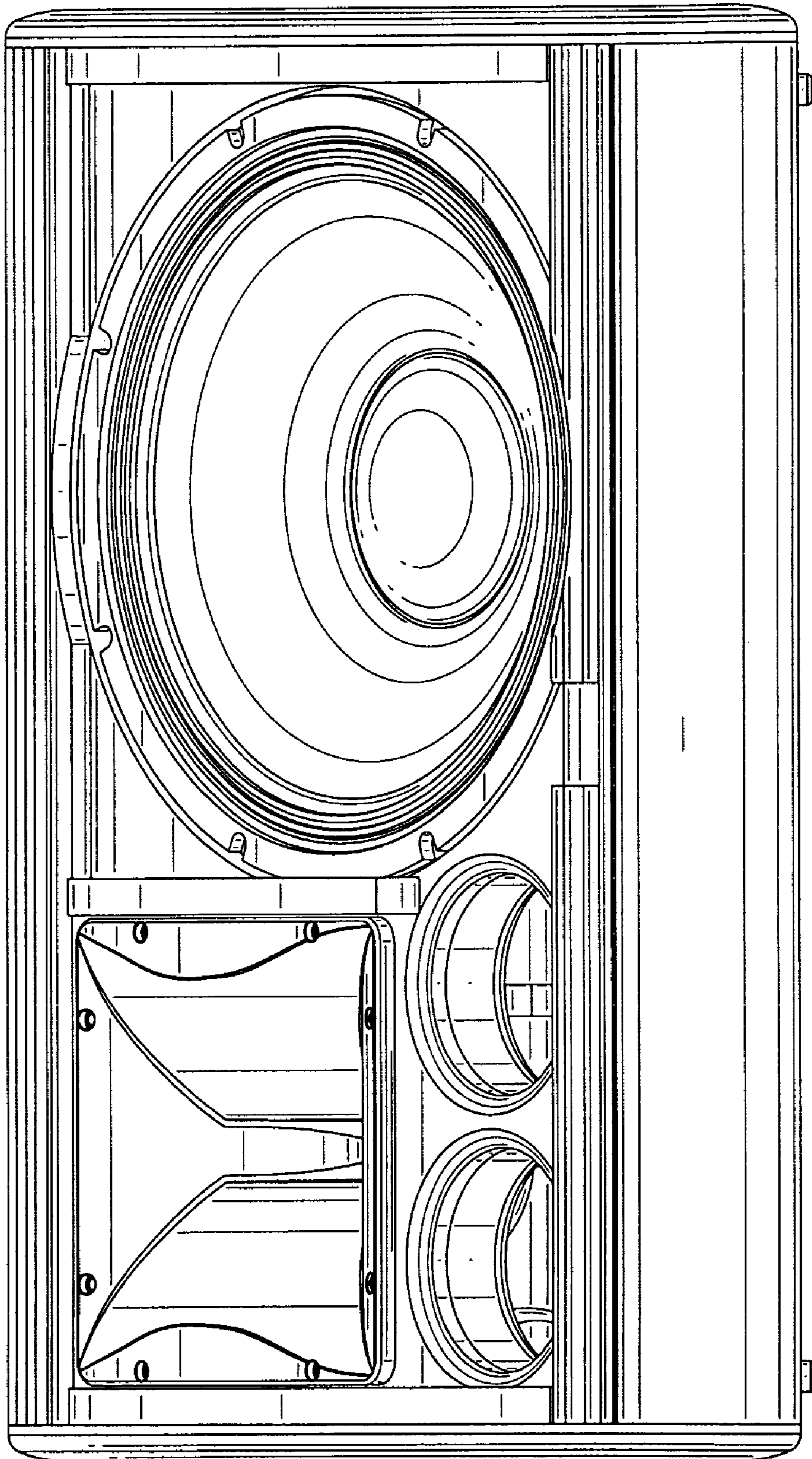


FIG. 9

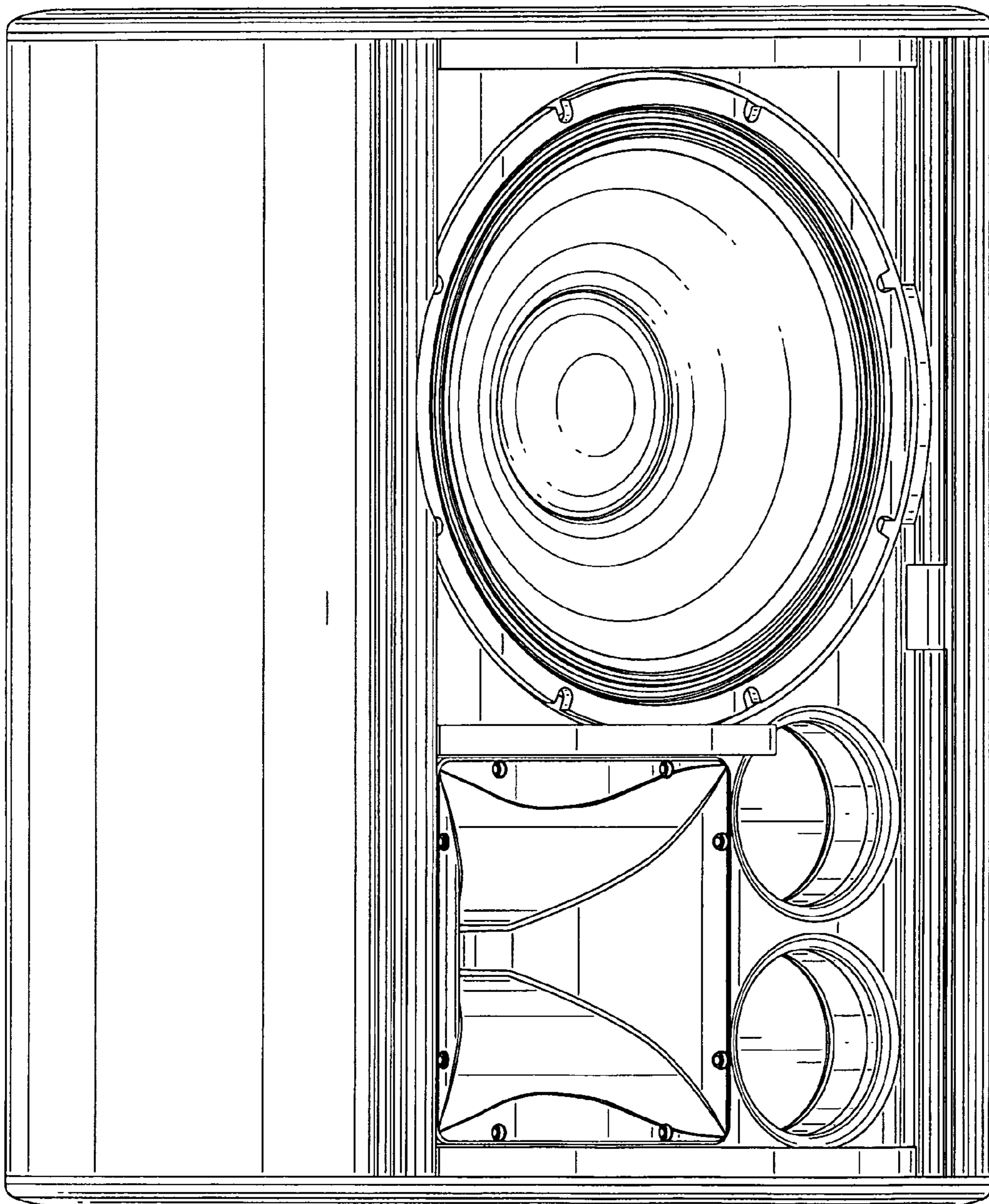


FIG. 10

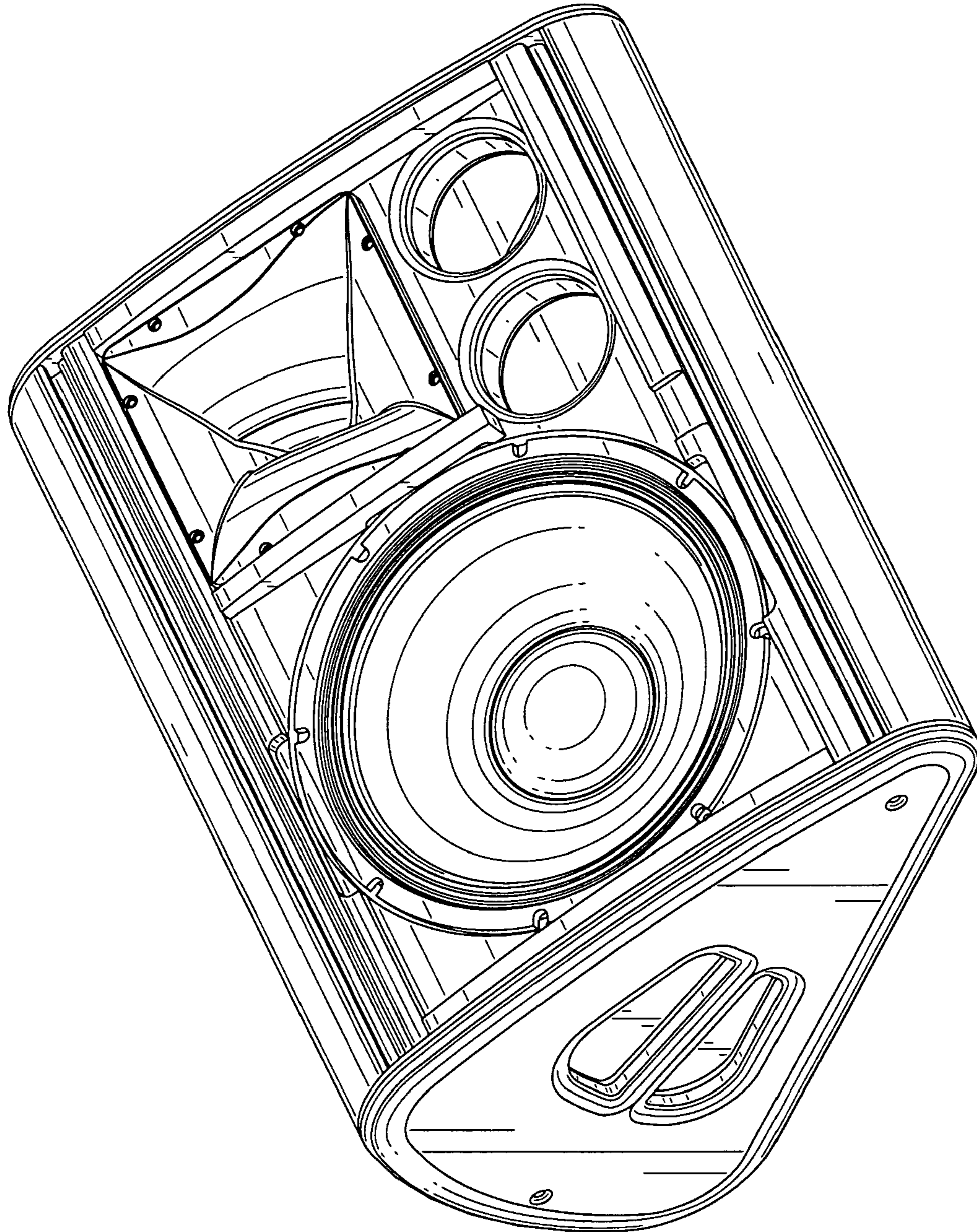


FIG. 11

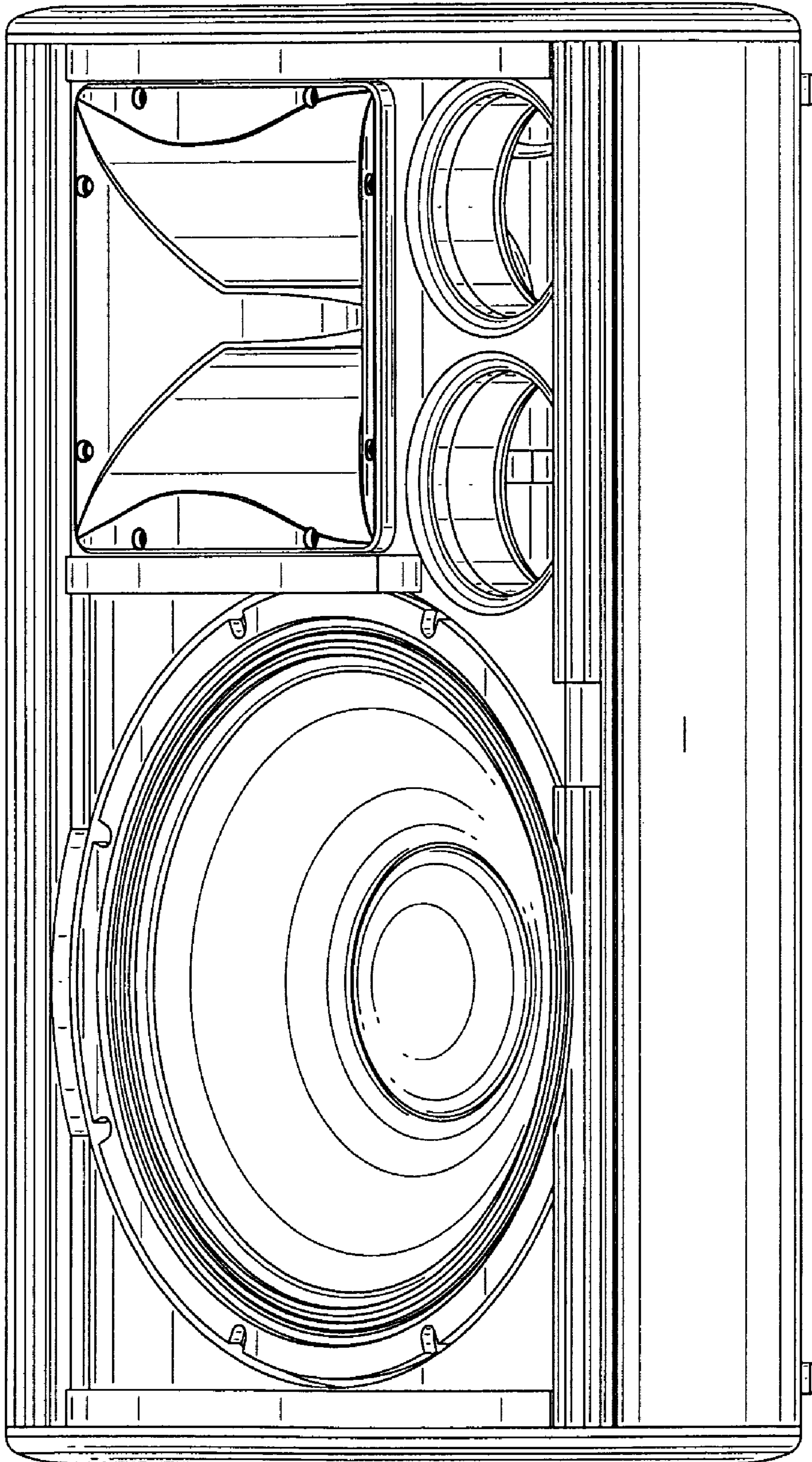


FIG. 12

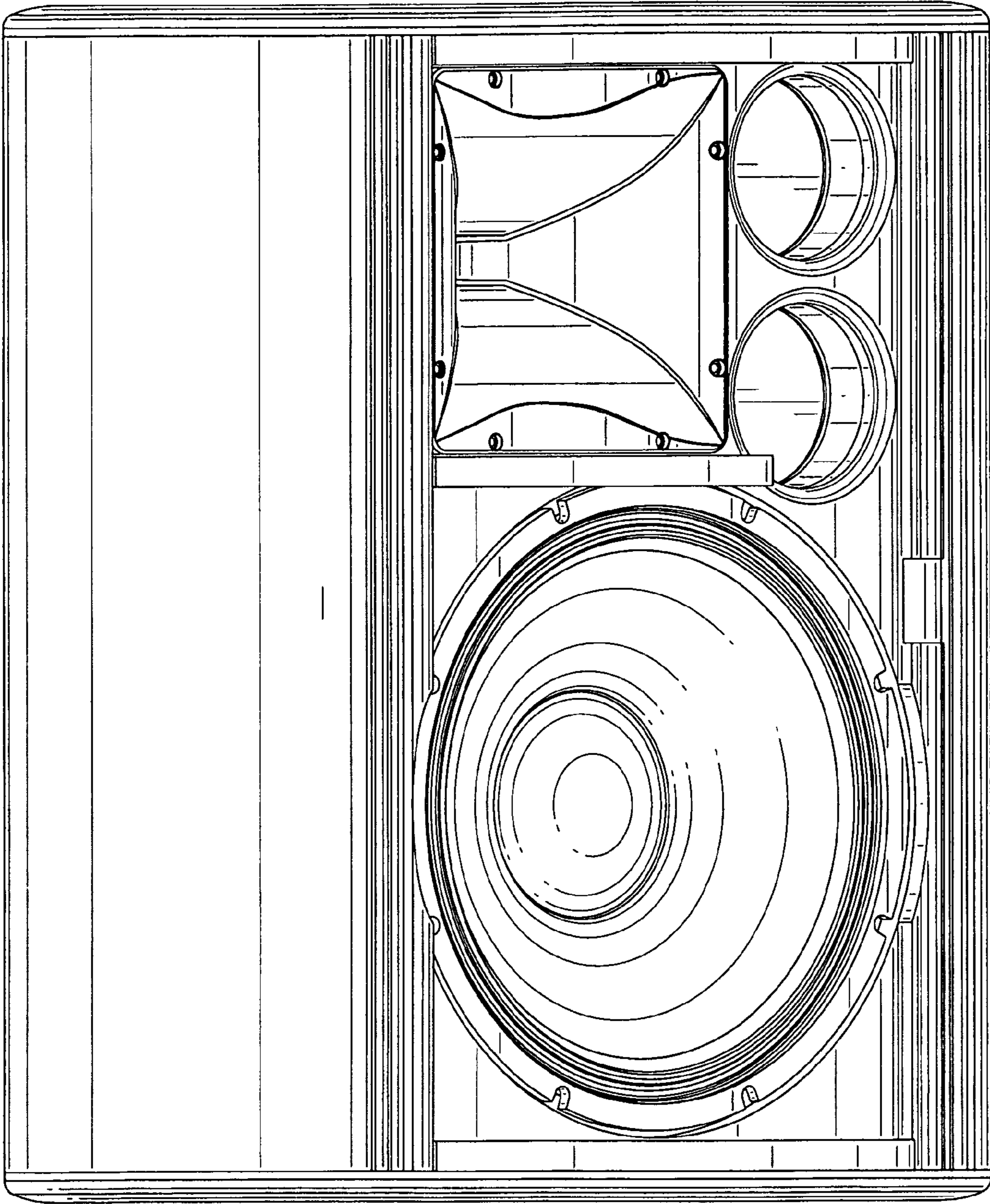


FIG. 13