

US00D568858S

(12) **United States Design Patent** (10) **Patent No.:** **US D568,858 S**
Han et al. (45) **Date of Patent:** **** May 13, 2008**

(54) **PORTABLE PHONE**

(75) Inventors: **Woo-Seung Han**, Seoul (KR);
Hyun-Sook Kim, Yeongin-si (KR);
Yoon-Young Cho, Seoul (KR);
Chang-Hwan Hwang, Goyang-Si (KR)

(73) Assignee: **Samsung Electronics Co., Ltd.**,
Suwon-Si (KR)

(**) Term: **14 Years**

(21) Appl. No.: **29/266,241**

(22) Filed: **Sep. 18, 2006**

(30) **Foreign Application Priority Data**

Mar. 17, 2006 (KR) 30-2006-0009978

(51) **LOC (8) Cl.** **14-03**

(52) **U.S. Cl.** **D14/138**

(58) **Field of Classification Search** D14/138,
D14/496, 341-347; 455/575.3, 575.1; D21/517
See application file for complete search history.

(56) **References Cited**

U.S. PATENT DOCUMENTS

D488,453	S *	4/2004	Chang et al.	D14/138
6,744,890	B1 *	6/2004	Le et al.	379/433.07
D500,480	S *	1/2005	Daw	D14/138
D507,787	S *	7/2005	Ahn et al.	D14/138
D508,036	S *	8/2005	Wada	D14/138
D518,467	S *	4/2006	Kim et al.	D14/138
D535,271	S *	1/2007	Liang	D14/138
D536,687	S *	2/2007	Lheem	D14/138
D538,772	S *	3/2007	Cha et al.	D14/138
D541,248	S *	4/2007	Lee et al.	D14/138
D542,765	S *	5/2007	Cho et al.	D14/138
D543,169	S *	5/2007	Kim et al.	D14/138
D545,287	S *	6/2007	Han et al.	D14/138
D548,212	S *	8/2007	Lee	D14/138
D549,680	S *	8/2007	Lee et al.	D14/138
D552,067	S *	10/2007	Han et al.	D14/138
D553,110	S *	10/2007	Park et al.	D14/138
2004/0203535	A1 *	10/2004	Kim et al.	455/90.3

2005/0245296	A1 *	11/2005	Hong et al.	455/575.3
2005/0261041	A1 *	11/2005	Im	455/575.3
2005/0282596	A1 *	12/2005	Park et al.	455/575.3
2006/0019728	A1 *	1/2006	Sakamoto et al.	455/575.3
2006/0135226	A1 *	6/2006	Won et al.	455/575.3
2007/0060217	A1 *	3/2007	Kim	455/575.3
2007/0123325	A1 *	5/2007	Kim et al.	455/575.3
2007/0161414	A1 *	7/2007	Wang et al.	455/575.3

OTHER PUBLICATIONS

Nokia N92, announced 4th quarter 2005, [online], [site visited Jan. 22, 2008]. Available from Internet ,<URL: <http://www.gsmarena.com>>.*

Samsung D300 telephone, announced Feb. 2006, [online], [site visited Jan. 22, 2008]. Available from Internet ,<URL: <http://www.gsmarena.com>>.*

Nokia 7390, announced Sep. 2006, [online], [site visited Jan. 22, 2008]. Available from Internet ,<URL: <http://www.gsmarena.com>>.*

(Continued)

Primary Examiner—Jeffrey D Asch

(74) *Attorney, Agent, or Firm*—Staas Halsey LLP

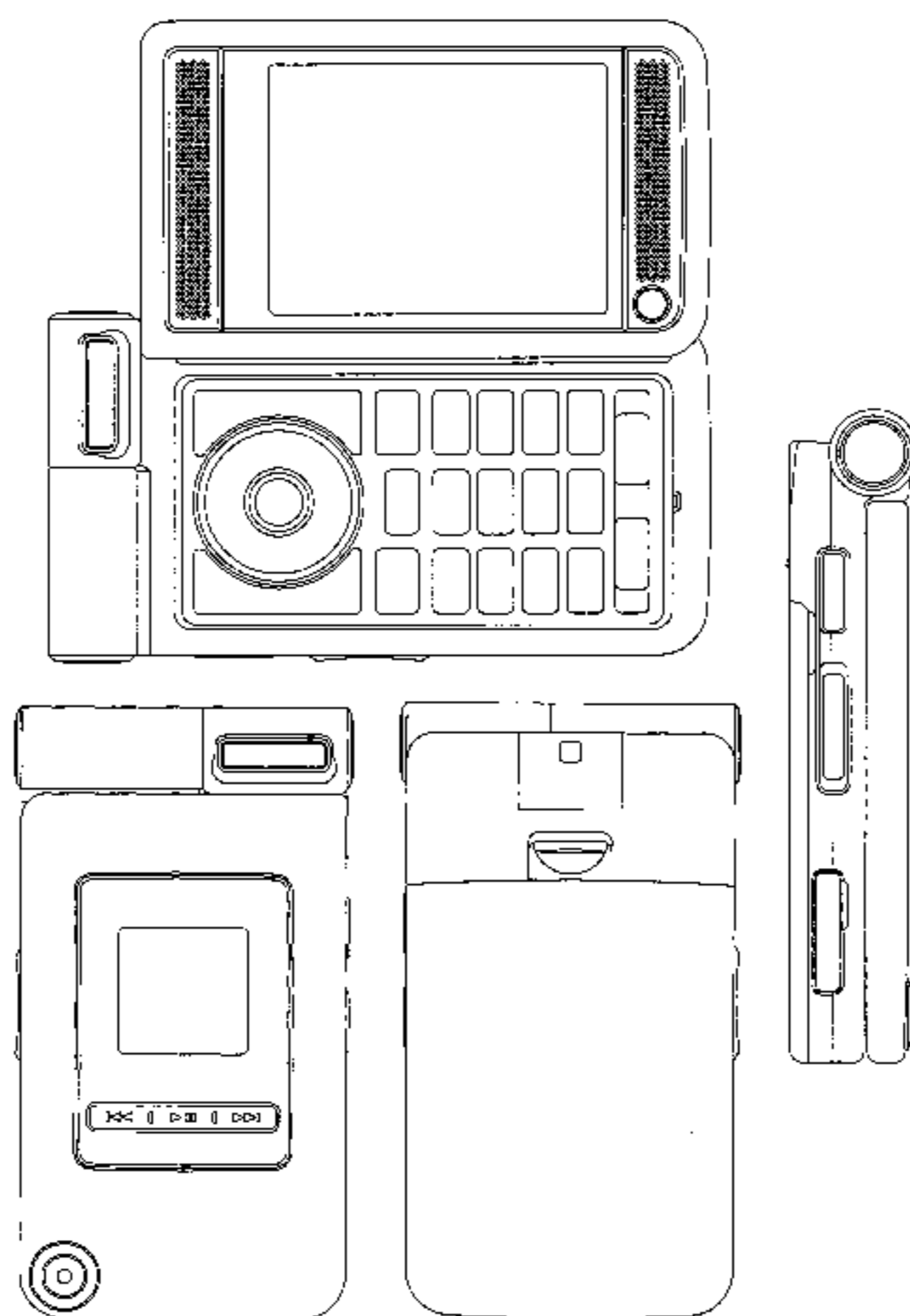
(57) **CLAIM**

The ornamental design for the portable phone, as shown and described.

DESCRIPTION

FIG. 1 is a front open view of a portable phone;
FIG. 2 is a front open view of the portable phone of FIG. 1 in an alternate position for use;
FIG. 3 is a front closed view of the portable phone of FIG. 1;
FIG. 4 is a rear view of the portable phone of FIG. 1;
FIG. 5 is a left-side view of the portable phone of FIG. 1;
FIG. 6 is a right-side view of the portable phone of FIG. 1;
FIG. 7 is a top plan view of the portable phone of FIG. 1;
FIG. 8 is a bottom plan view of the portable phone of FIG. 1; and,
FIG. 9 is a perspective view of the portable phone of FIG. 1.

1 Claim, 6 Drawing Sheets



OTHER PUBLICATIONS

Samsung D550 telephone, announced Jun. 2005, [online], [site visited Jan. 22, 2008]. Available from Internet ,<URL: <http://www.gsmarena.com>>.*

LG CU500 telephone, announced Jul. 2006, [online], [site visited Jan. 22, 2008]. Available from Internet ,<URL: <http://www.gsmarena.com>>.*

LG U880 telephone, announced Oct. 2005, [online], [site visited Jan. 22, 2008]. Available from Internet ,<URL: <http://www.gsmarena.com>>.*

BenQ-Siemens EF81 telephone, announced Jan. 2006, [online], [site visited Jan. 22, 2008]. Available from Internet ,<URL: <http://www.gsmarena.com>>.*

* cited by examiner

FIG. 1

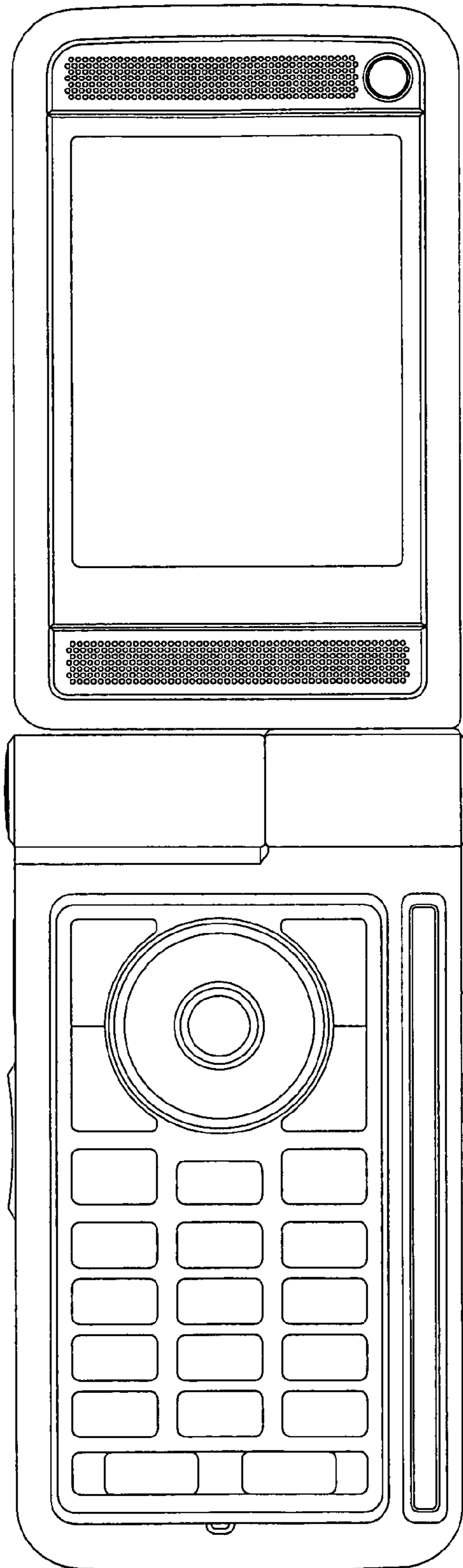


FIG. 2

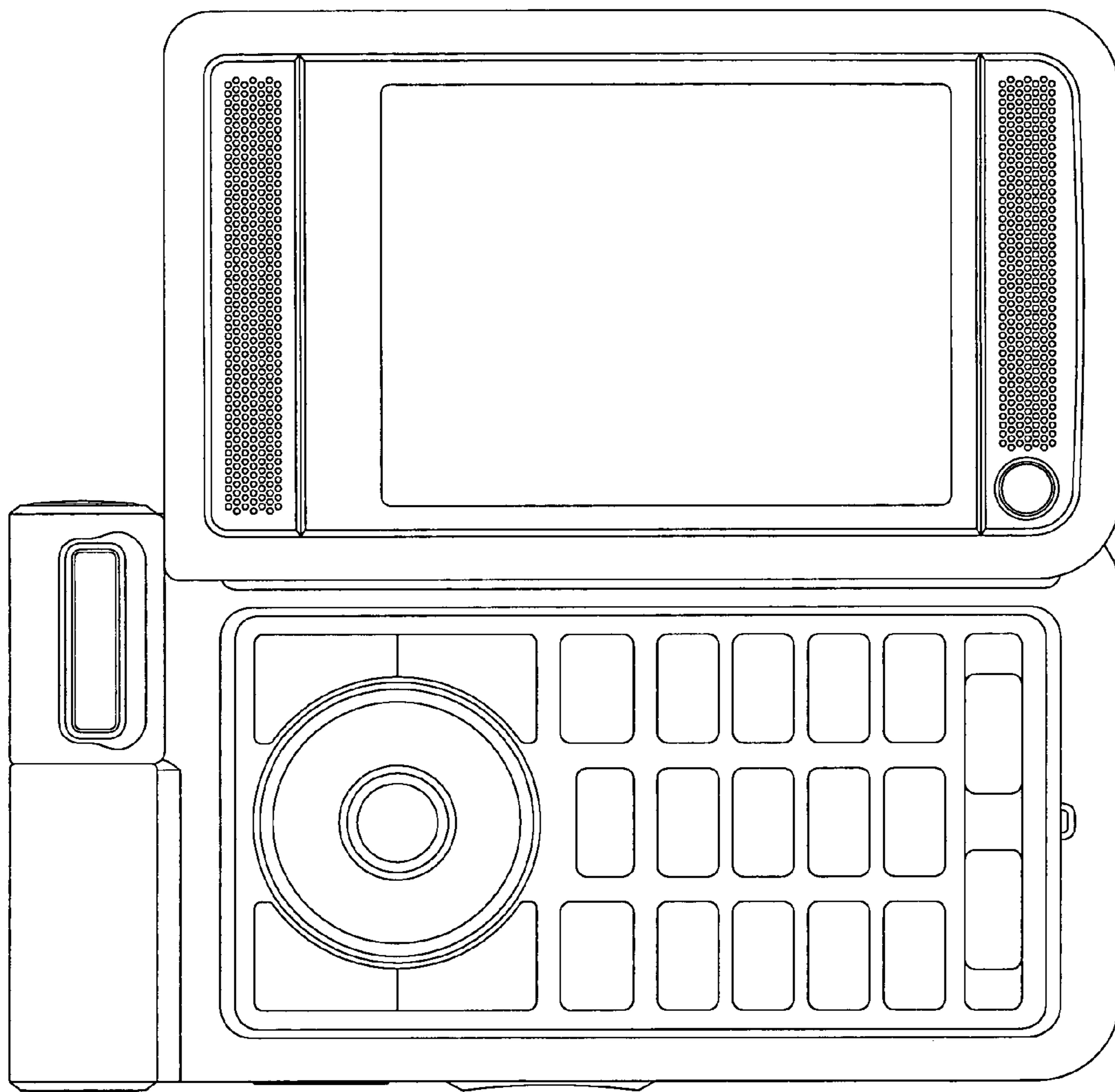


FIG. 3

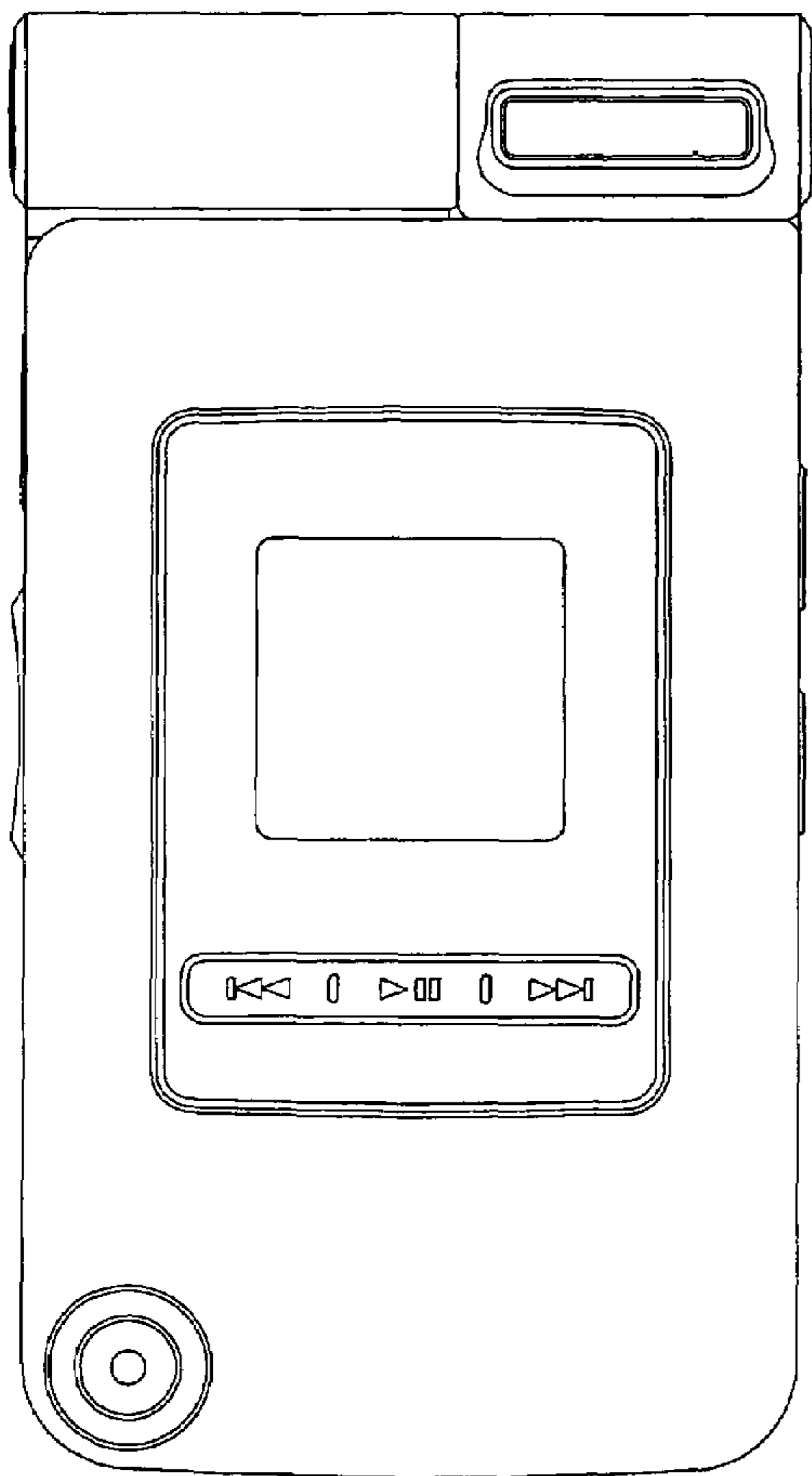


FIG. 4

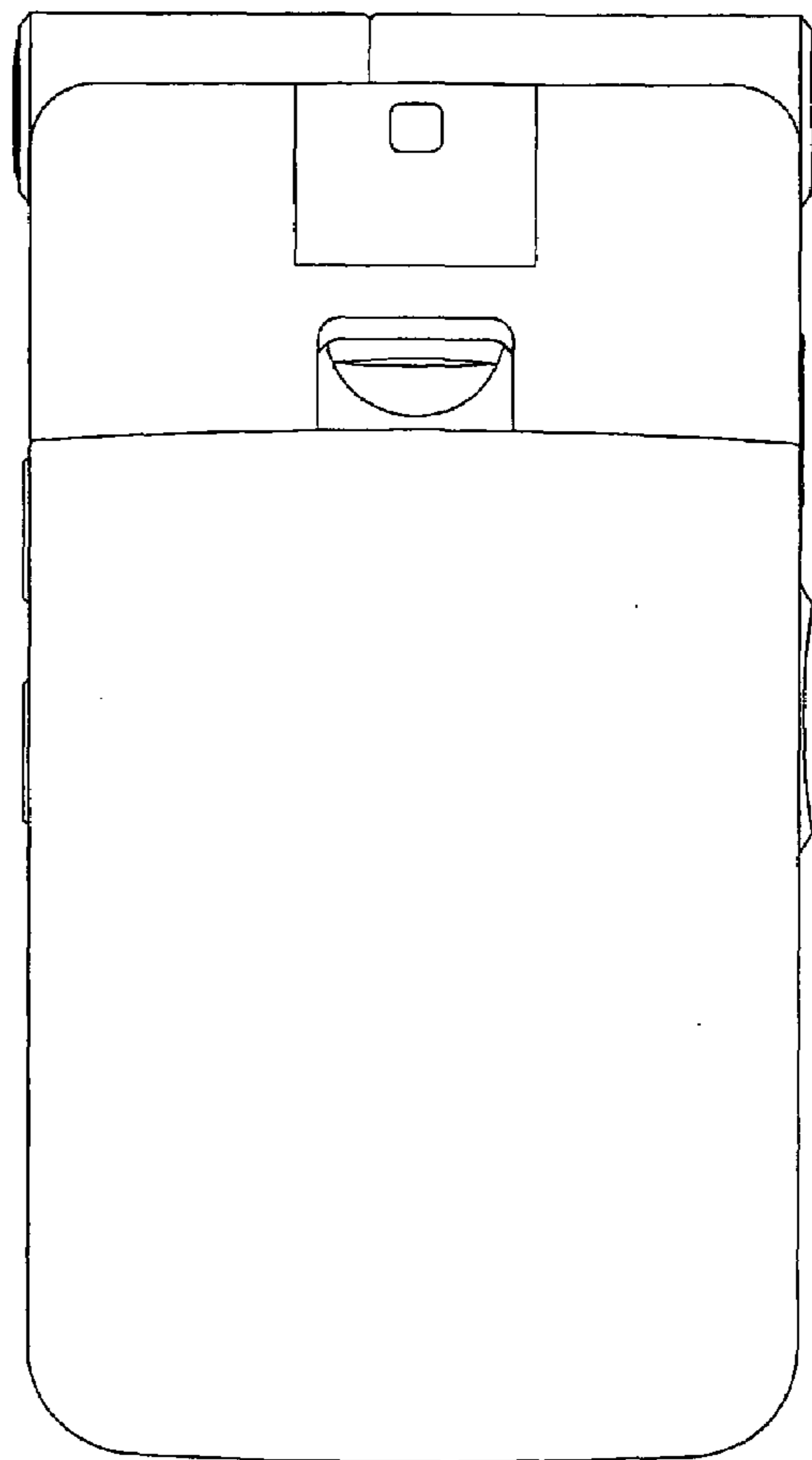


FIG. 5

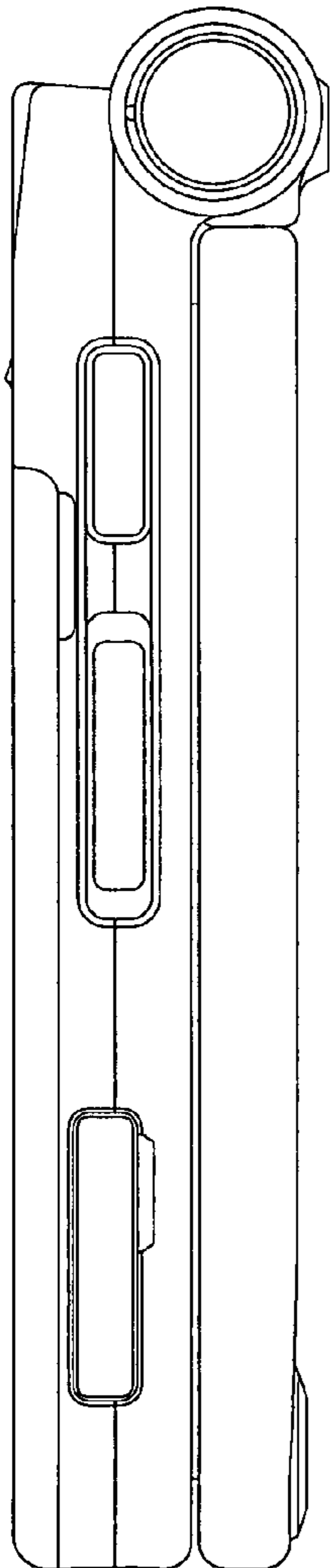


FIG. 6

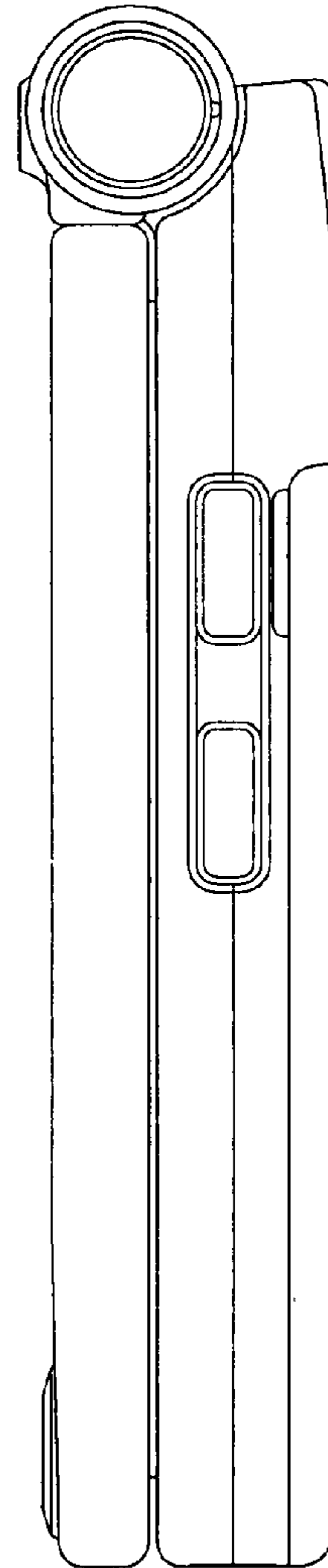


FIG. 7

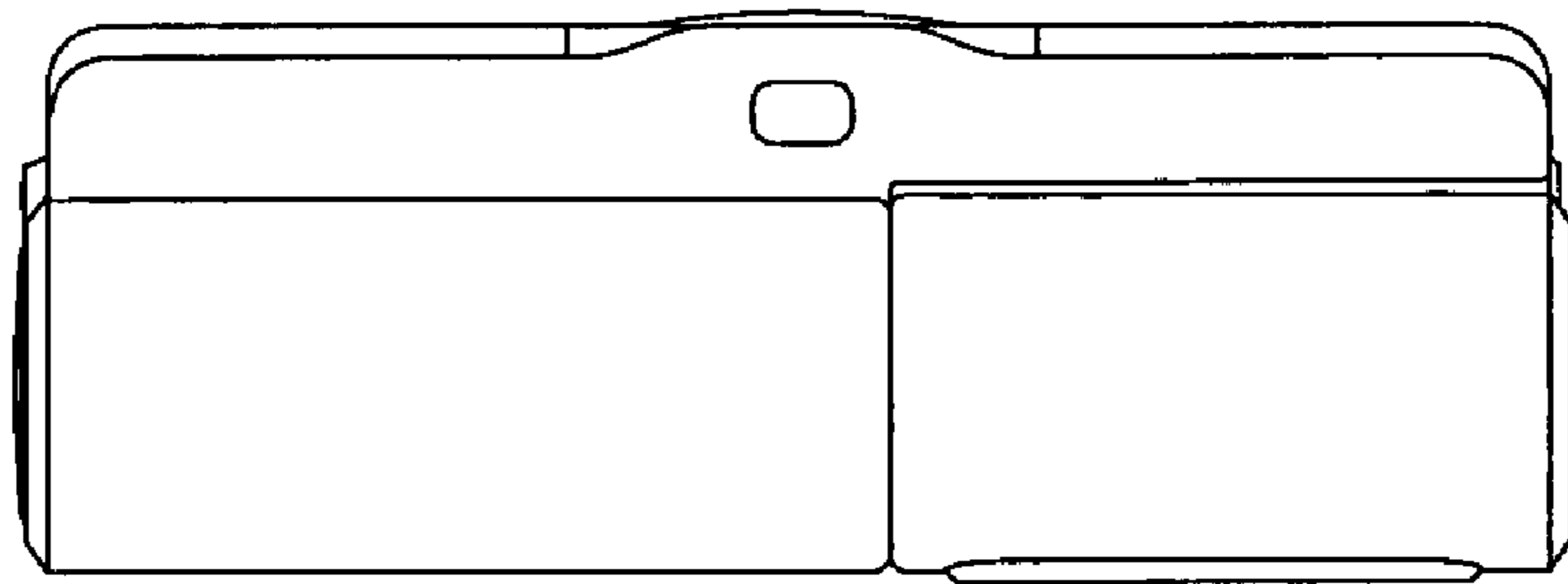


FIG. 8

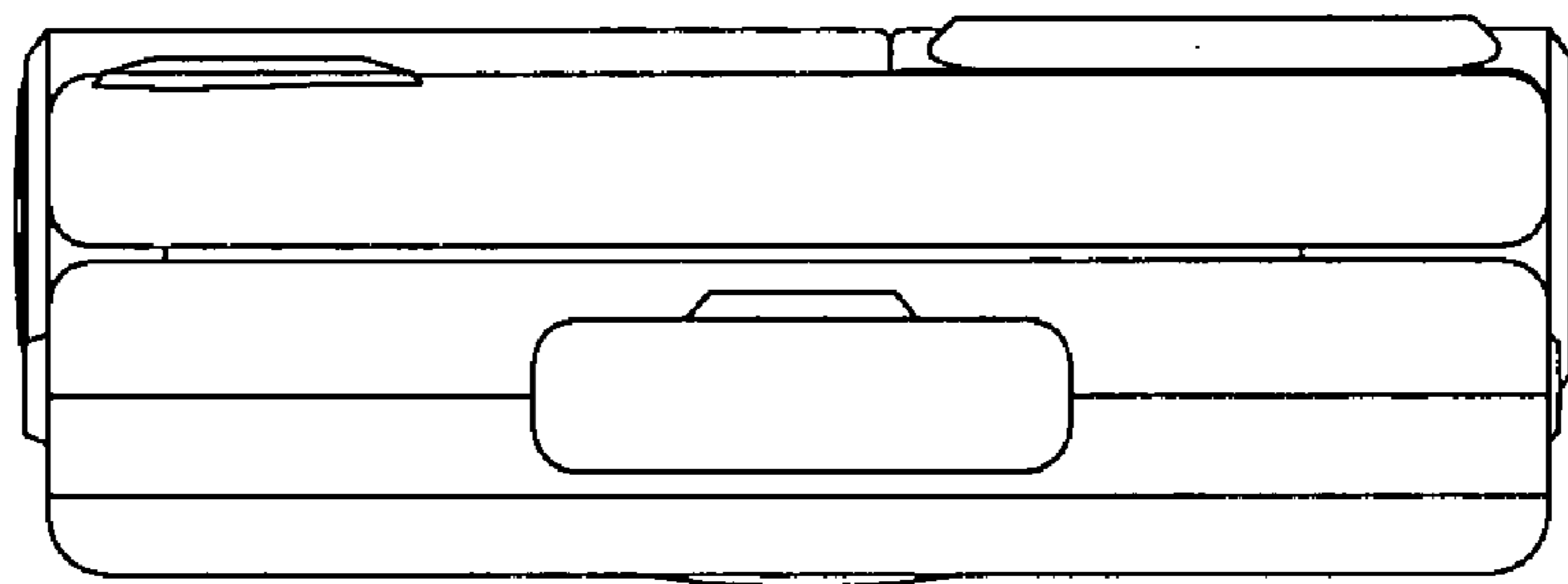


FIG. 9

