



US00D568853S

(12) **United States Design Patent**  
**Lee et al.**

(10) **Patent No.:** **US D568,853 S**  
(45) **Date of Patent:** **\*\* May 13, 2008**

(54) **PORTABLE PHONE**

(75) Inventors: **Woo-Seok Lee**, Gunpo-si (KR);  
**Jin-Soo Kim**, Yongin-si (KR); **Nam-Mi Kim**, Seoul (KR); **Chang-Hwan Hwang**, Goyang-si (KR)

(73) Assignee: **Samsung Electronics Co., Ltd.**,  
Suwon-Si (KR)

(\*\*) Term: **14 Years**

(21) Appl. No.: **29/257,563**

(22) Filed: **Apr. 7, 2006**

(30) **Foreign Application Priority Data**

Oct. 28, 2005 (KR) ..... 30-2005-0036458

(51) **LOC (8) Cl.** ..... **14-03**

(52) **U.S. Cl.** ..... **D14/138**

(58) **Field of Classification Search** ..... D14/138,  
D14/496, 341-347; 455/575.3, 575.1; D21/517  
See application file for complete search history.

(56) **References Cited**

**U.S. PATENT DOCUMENTS**

D447,128	S	*	8/2001	Lee et al.	.....	D14/138
D501,457	S	*	2/2005	Lee et al.	.....	D14/138
D501,839	S	*	2/2005	Lee et al.	.....	D14/138
D504,406	S	*	4/2005	Cho et al.	.....	D14/138
D512,039	S	*	11/2005	Kim et al.	.....	D14/138
D518,465	S	*	4/2006	Van Den Nieuwenhuizen et al.	.....	D14/138
D519,969	S	*	5/2006	Sutherland et al.	.....	D14/138
D520,484	S	*	5/2006	Lee et al.	.....	D14/138
D521,968	S	*	5/2006	Jung et al.	.....	D14/138
D535,964	S	*	1/2007	Baik et al.	.....	D14/138
D537,428	S	*	2/2007	Fahlgren	.....	D14/138
D545,284	S	*	6/2007	Kim et al.	.....	D14/138
D545,286	S	*	6/2007	Lee et al.	.....	D14/138
D546,306	S	*	7/2007	Lee	.....	D14/138
D546,308	S	*	7/2007	Lee	.....	D14/138
D547,291	S	*	7/2007	Lee	.....	D14/138
D550,639	S	*	9/2007	Cho et al.	.....	D14/138

D552,059	S	*	10/2007	Cho et al.	.....	D14/138
D555,124	S	*	11/2007	Lee	.....	D14/138
D556,722	S	*	12/2007	Kim et al.	.....	D14/138
D557,231	S	*	12/2007	Chung et al.	.....	D14/138
D557,669	S	*	12/2007	Kim et al.	.....	D14/138
D558,170	S	*	12/2007	Wang et al.	.....	D14/138
2004/0109559	A1	*	6/2004	Lee	.....	379/433.04
2004/0142718	A1	*	7/2004	Kim	.....	455/550.1
2005/0003852	A1	*	1/2005	Song	.....	455/550.1

**OTHER PUBLICATIONS**

Samsung J400 telephone, announced Jan. 2008, [online], [site visited Feb. 14, 2008]. Available from Internet ,<URL: <http://www.gsmarena.com>>.\*

Samsung M300 telephone, announced May 2007, [online], [site visited Feb. 14, 2008]. Available from Internet ,<URL: <http://www.gsmarena.com>>.\*

Samsung X300 telephone, announced Feb. 2006, [online], [site visited Feb. 14, 2008]. Available from Internet ,<URL: <http://www.gsmarena.com>>.\*

(Continued)

*Primary Examiner*—Jeffrey D Asch

(74) *Attorney, Agent, or Firm*—Staas & Halsey LLP

(57) **CLAIM**

The ornamental design for the portable phone, as shown and described.

**DESCRIPTION**

FIG. 1 is a perspective view of the portable phone showing our design;

FIG. 2 is a front view thereof;

FIG. 3 is a rear view thereof;

FIG. 4 is a left side view thereof;

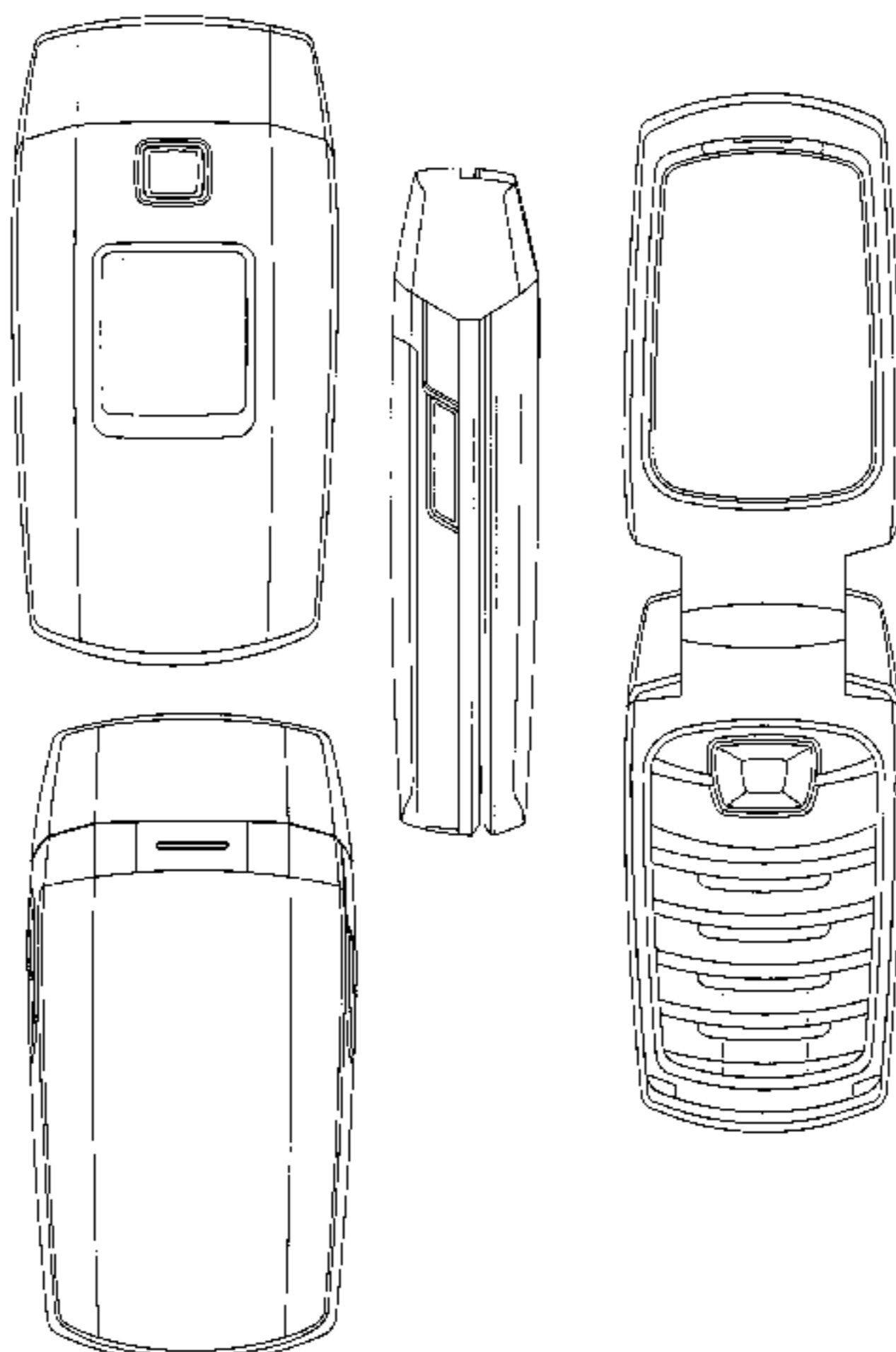
FIG. 5 is a right side view thereof;

FIG. 6 is a top plan view thereof;

FIG. 7 is a bottom plan view thereof; and,

FIG. 8 is a front, open view thereof.

**1 Claim, 5 Drawing Sheets**



OTHER PUBLICATIONS

Samsung Z500 telephone, announced 1st quarter 2005, [online], [site visited Feb. 14, 2008]. Available from Internet ,<URL: <http://www.gsmarena.com>>.\*

Philips 636 telephone, announced 2nd quarter 2004, [online], [site visited Feb. 14, 2008]. Available from Internet ,<URL: <http://www.gsmarena.com>>.\*

\* cited by examiner

FIG. 1

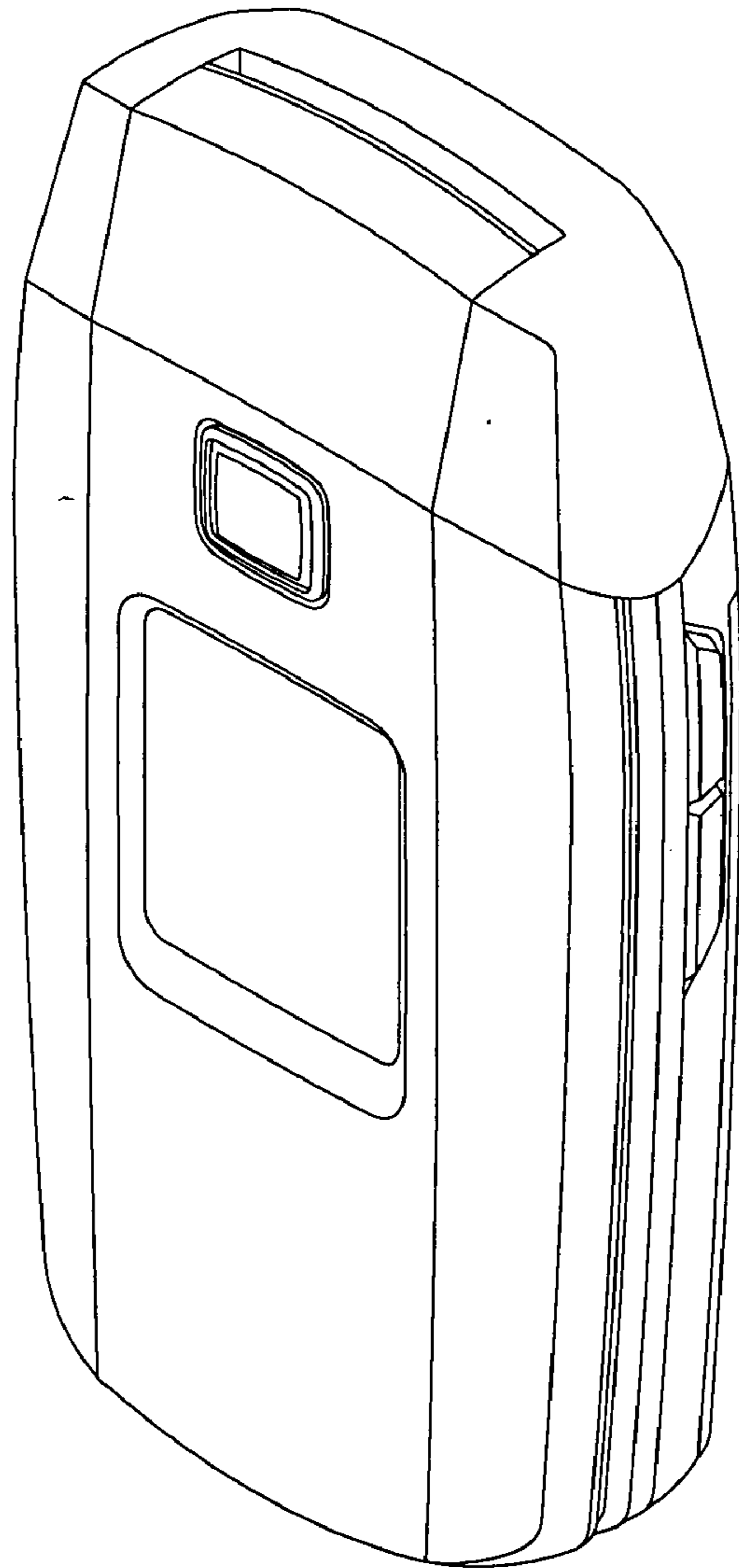


FIG. 2

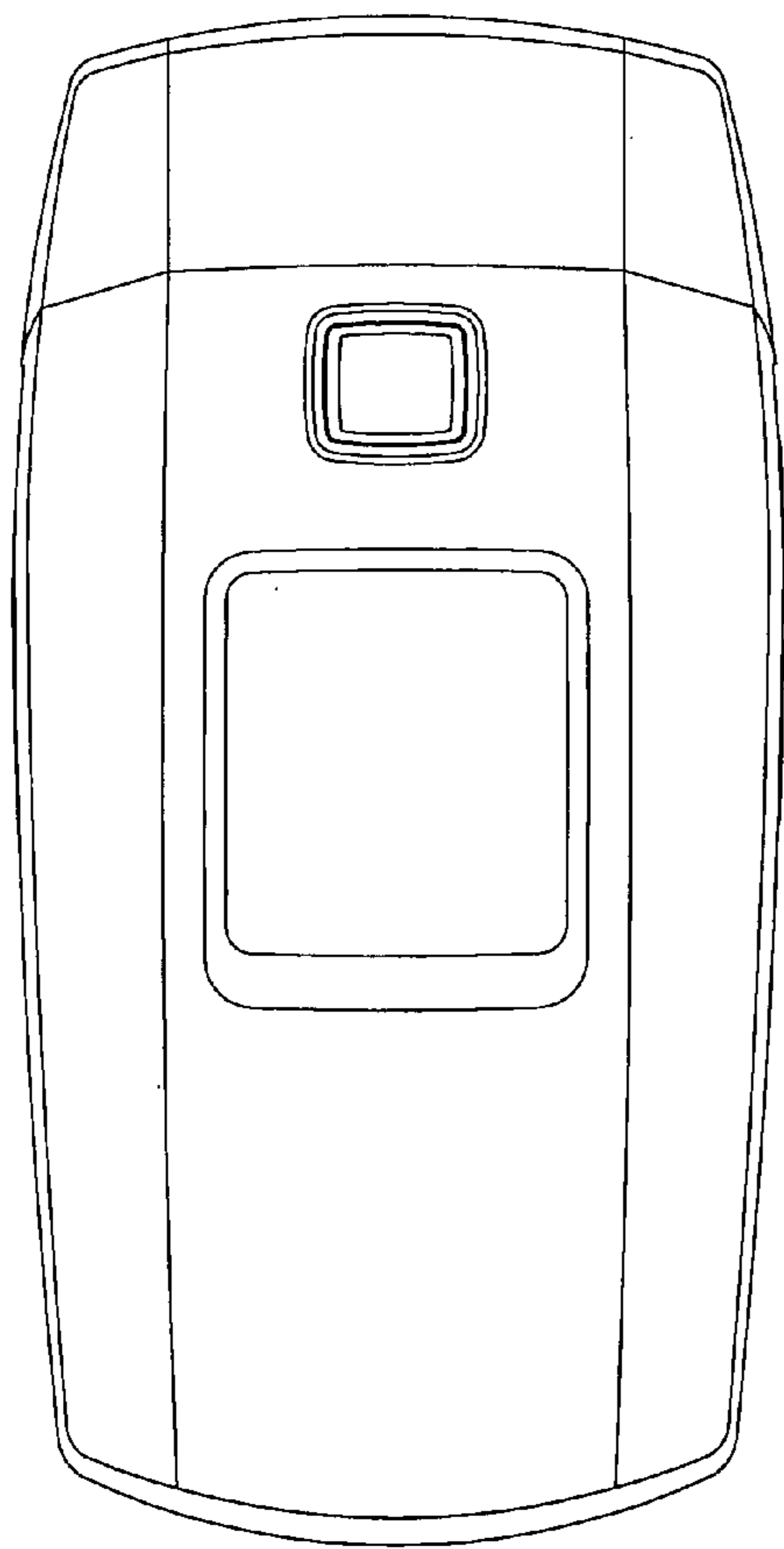


FIG. 3

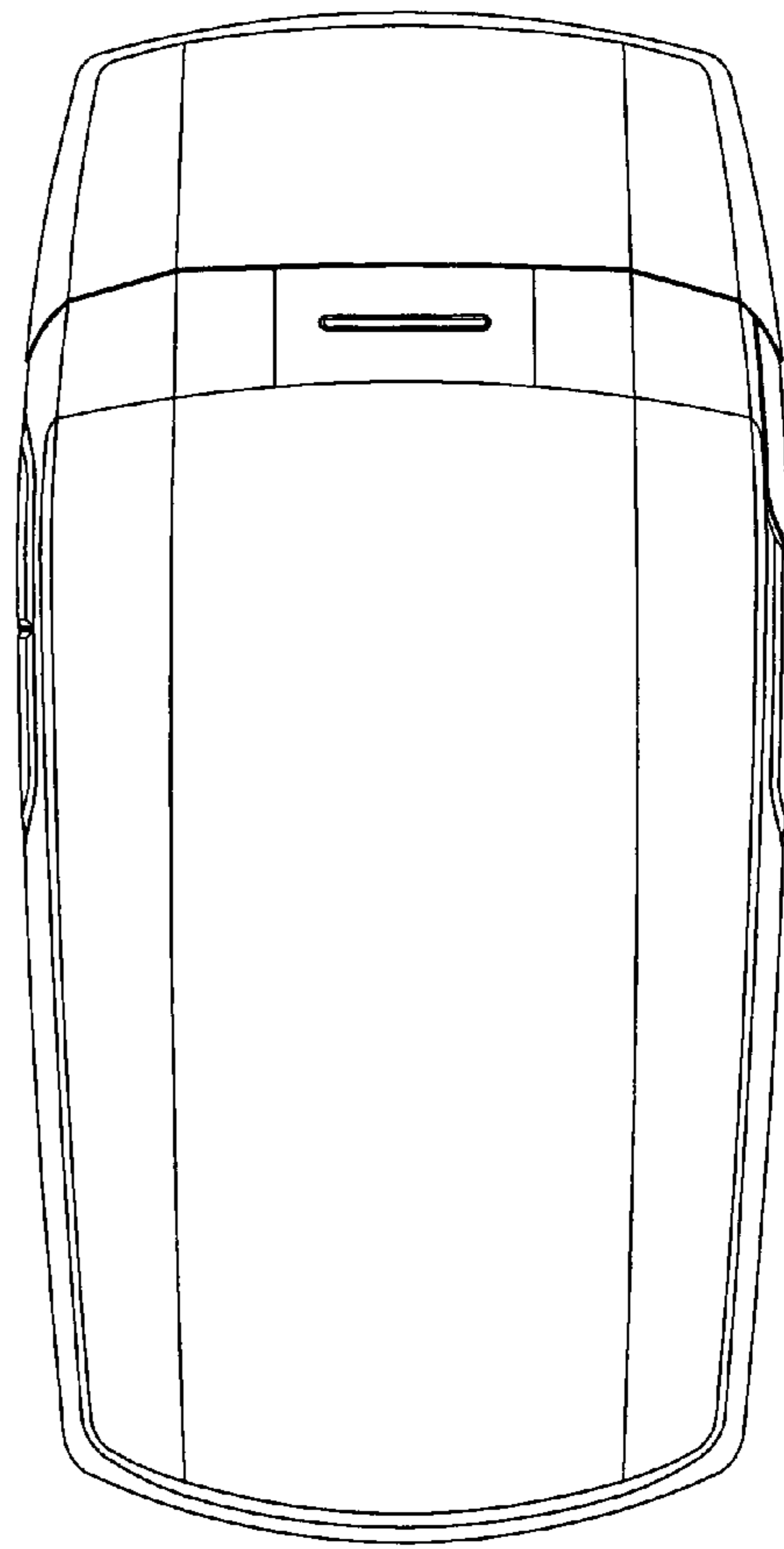


FIG. 4

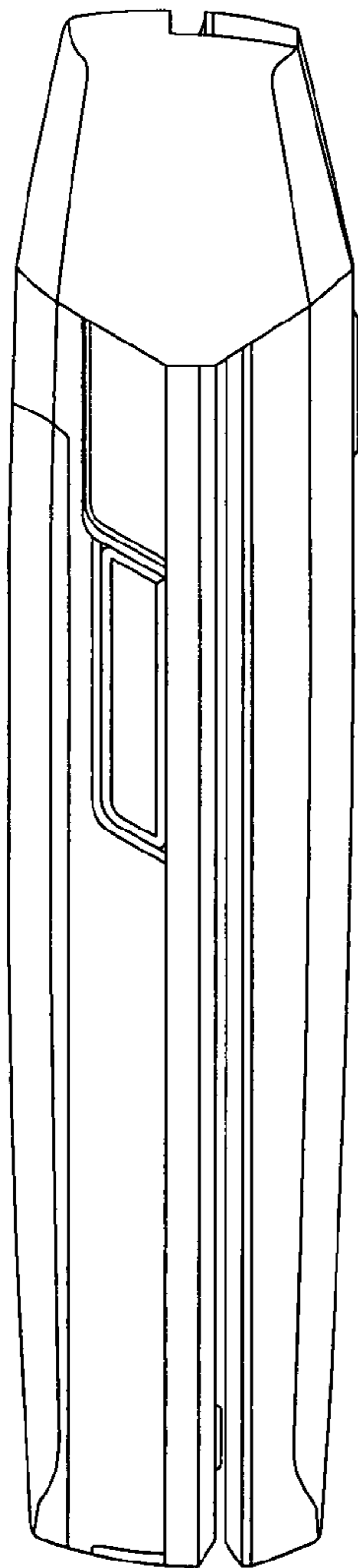


FIG. 5

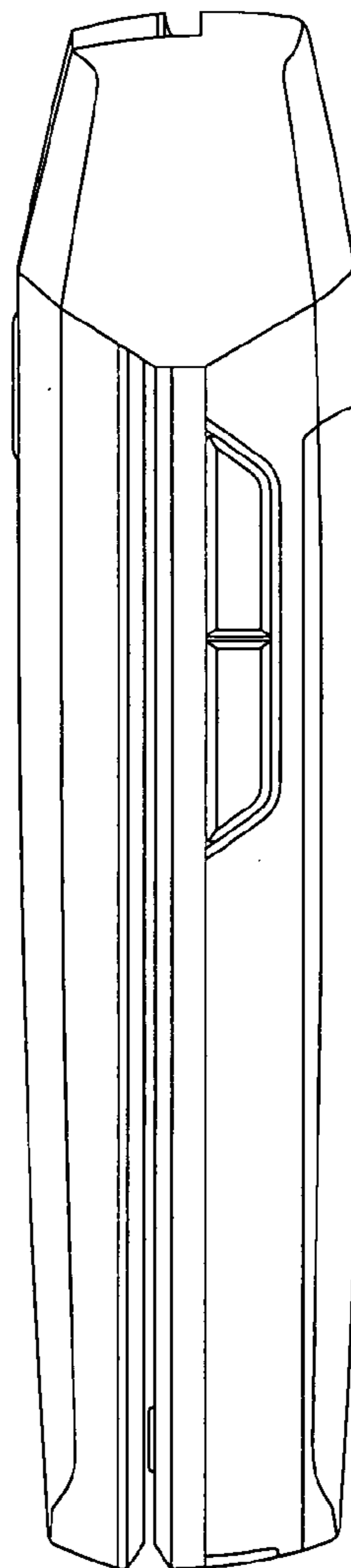


FIG. 6

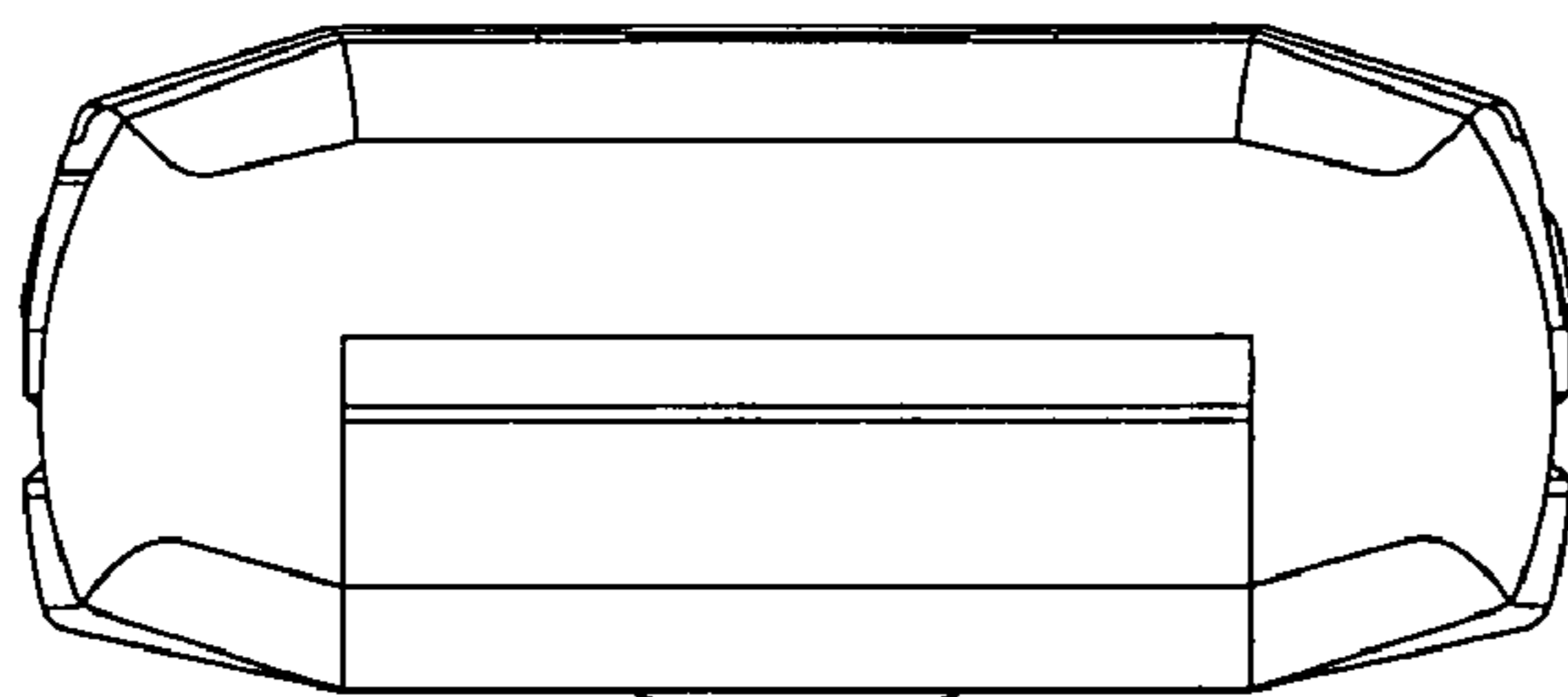


FIG. 7

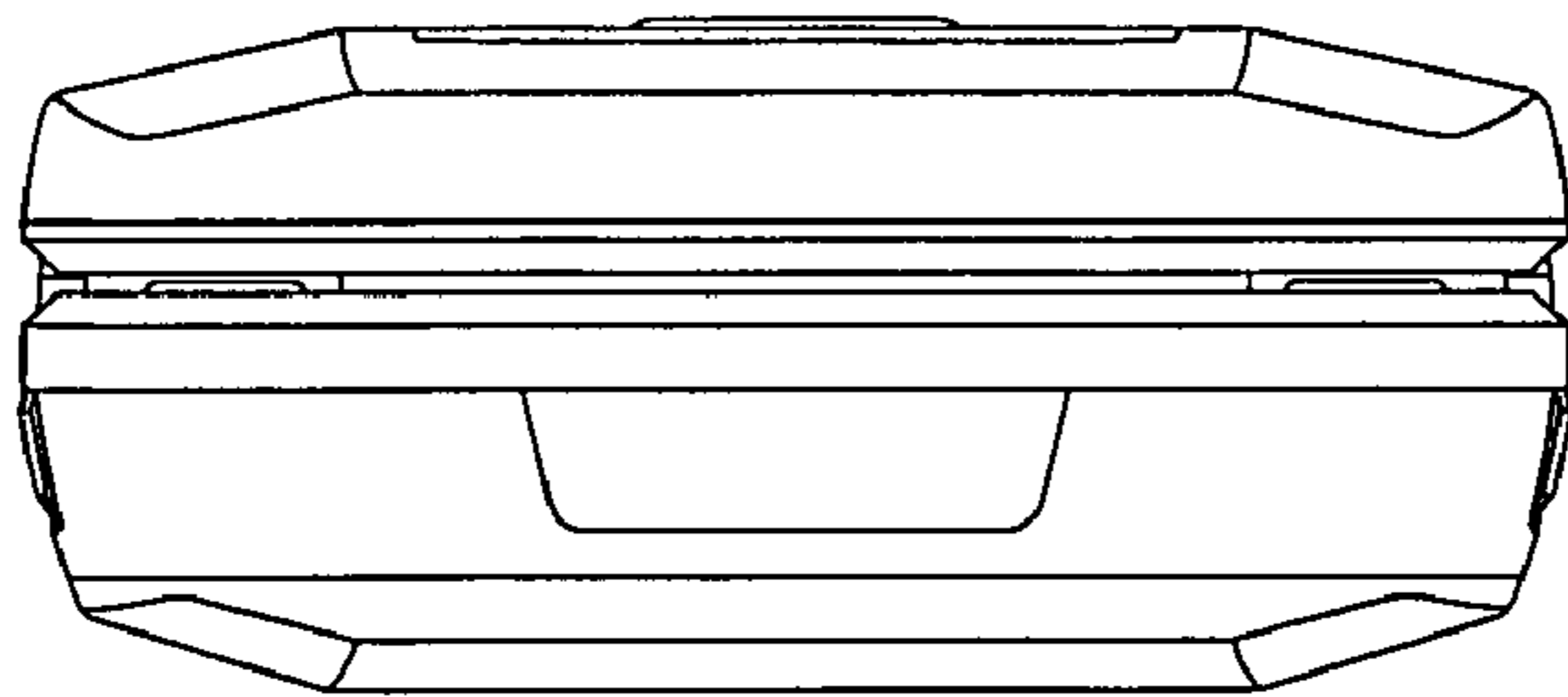


FIG. 8

