

US00D568850S

(12) **United States Design Patent**  
**Lyles**

(10) **Patent No.:** **US D568,850 S**

(45) **Date of Patent:** **\*\* May 13, 2008**

(54) **HANDSET**

(75) Inventor: **Justin Lyles**, San Diego, CA (US)

(73) Assignee: **Nokia Corporation**, Espoo (FI)

(\*\*) Term: **14 Years**

(21) Appl. No.: **29/250,714**

(22) Filed: **Nov. 28, 2006**

(51) **LOC (8) Cl.** ..... **14-03**

(52) **U.S. Cl.** ..... **D14/138**

(58) **Field of Classification Search** ..... D14/137,  
D14/138, 147, 218, 247-248, 341-347, 496;  
455/90.3, 556.1, 556.2, 575.1, 575.3, 575.4;  
379/433.01-433.13; 361/814; 348/14.02

See application file for complete search history.

(56) **References Cited**

U.S. PATENT DOCUMENTS

D486,461 S *	2/2004	Seo et al. ....	D14/138
D488,454 S *	4/2004	Lee .....	D14/138
D493,439 S *	7/2004	Hong et al. ....	D14/138
D502,161 S *	2/2005	Kim et al. ....	D14/138
D504,406 S *	4/2005	Cho et al. ....	D14/138
D508,034 S *	8/2005	Liao .....	D14/138
D512,039 S *	11/2005	Kim et al. ....	D14/138
D519,479 S *	4/2006	Koo et al. ....	D14/138
D519,486 S *	4/2006	Lee et al. ....	D14/138
D519,973 S *	5/2006	Chung et al. ....	D14/138
D519,974 S *	5/2006	Lee .....	D14/138
D520,981 S *	5/2006	Lee et al. ....	D14/138
D528,091 S *	9/2006	Kim et al. ....	D14/138
D537,428 S *	2/2007	Fahlgren .....	D14/138

(Continued)

FOREIGN PATENT DOCUMENTS

WO	DM/067481	* 12/2005
WO	DM/068014	* 7/2006
WO	DM/068074	* 7/2006

OTHER PUBLICATIONS

Samsung P500, announced 2<sup>nd</sup> quarter 2003, [online], [retrieved on Jul. 5, 2007]. Retrieved from Internet ,<URL: http://www.gsmarena.com>.\*

Samsung E700, announced 3<sup>rd</sup> quarter 2003, [online], [retrieved on Jul. 5, 2007]. Retrieved from Internet ,<URL: http://www.gsmarena.com>.\*

(Continued)

*Primary Examiner*—Jeffrey Asch

*Assistant Examiner*—Bridget L Eland

(74) *Attorney, Agent, or Firm*—Banner & Witcoff, Ltd.

(57) **CLAIM**

The ornamental design for a handset, as shown and described.

**DESCRIPTION**

FIG. 1 is a bottom plan view of a handset showing my new design;

FIG. 2 is a right side view thereof;

FIG. 3 is a front view thereof;

FIG. 4 is a left side view thereof;

FIG. 5 is a top plan view thereof;

FIG. 6 is a rear view thereof;

FIG. 7 is a perspective front view thereof;

FIG. 8 is a perspective rear view thereof;

FIG. 9 is a front view of the handset in an open position thereof;

FIG. 10 is a perspective front view of the handset in an open position thereof;

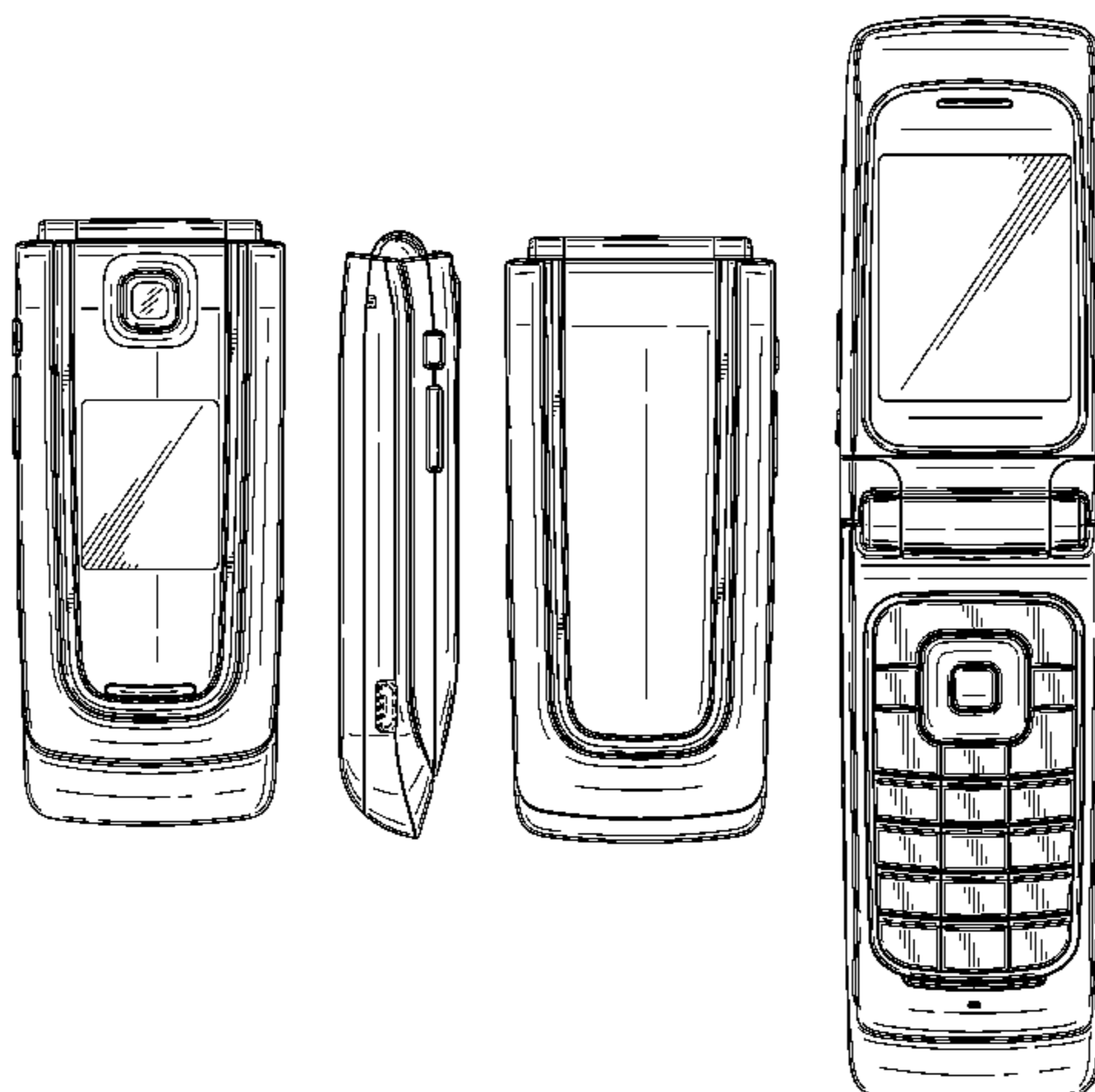
FIG. 11 is a perspective rear view of the handset in an open position thereof;

FIG. 12 is a rear view of the handset in an open position thereof; and,

FIG. 13 is a left side view of the handset in an open position thereof.

The outermost broken line used to show the connector at the lower left side represents the bounds of the claimed design, while the broken lines within are directed to environment and are for illustrative purposes only; the broken lines form no part of the claimed design.

**1 Claim, 8 Drawing Sheets**



# US D568,850 S

Page 2

---

## U.S. PATENT DOCUMENTS

D537,429 S \* 2/2007 Fahlgren ..... D14/138  
D538,771 S \* 3/2007 Bower ..... D14/138  
D539,791 S \* 4/2007 Sheu ..... D14/247  
D542,770 S \* 5/2007 Bower ..... D14/138  
D543,526 S \* 5/2007 Jung et al. .... D14/138  
7,224,946 B2 \* 5/2007 Kubo et al. .... 455/90.3  
2002/0006809 A1 \* 1/2002 Kubo et al. .... 455/550  
2004/0038703 A1 \* 2/2004 Noto et al. .... 455/550.1  
2004/0132513 A1 \* 7/2004 Taneda et al. .... 455/575.3  
2004/0204065 A1 \* 10/2004 Kota et al. .... 455/556.1  
2004/0248625 A1 \* 12/2004 Yoshida et al. .... 455/575.1  
2005/0227634 A1 \* 10/2005 Kori et al. .... 455/90.3

## OTHER PUBLICATIONS

Samsung S410i, announced 1<sup>st</sup> quarter 2005, [online], [retrieved on Jul. 6, 2007]. Retrieved from Internet ,<URL: <http://www.gsmarena.com>>.\*

Samsung E640, announced 1<sup>st</sup> quarter 2005, [online], [retrieved on Jul. 6, 2007]. Retrieved from Internet ,<URL: <http://www.gsmarena.com>>.\*

Samsung U300, announced Feb. 2007, [online], [retrieved on Jul. 6, 2007]. Retrieved from Internet ,<URL: <http://www.gsmarena.com>>.\*

Nokia 6170, announced 3<sup>rd</sup> quarter 2004, [online], [retrieved on Aug. 2, 2007]. Retrieved from Internet ,<URL: <http://www.gsmarena.com>>.\*

\* cited by examiner

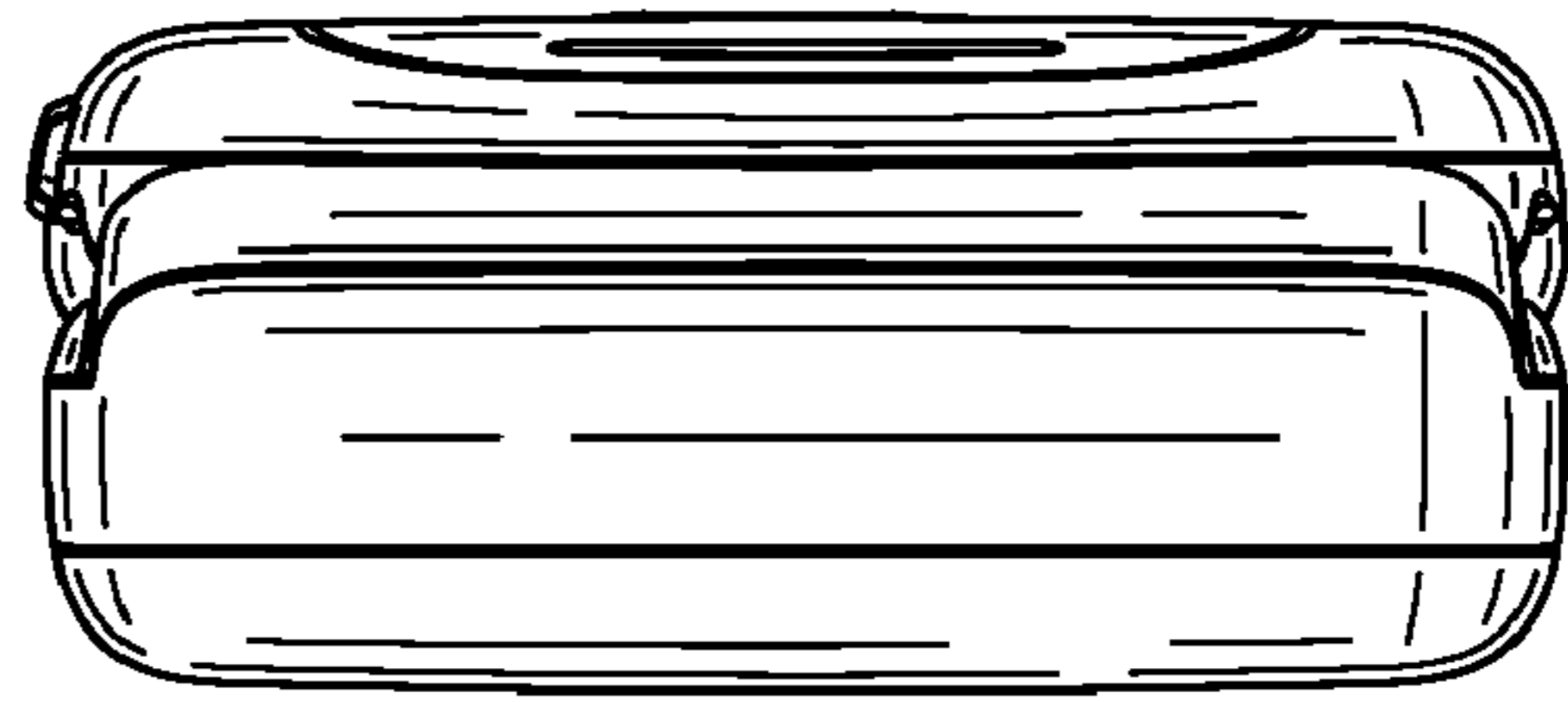


FIG. 1

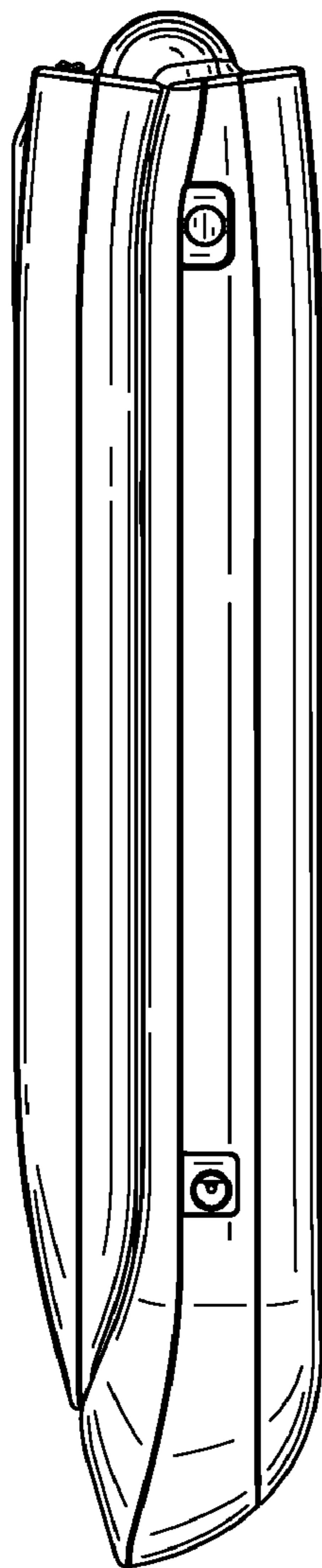


FIG. 2

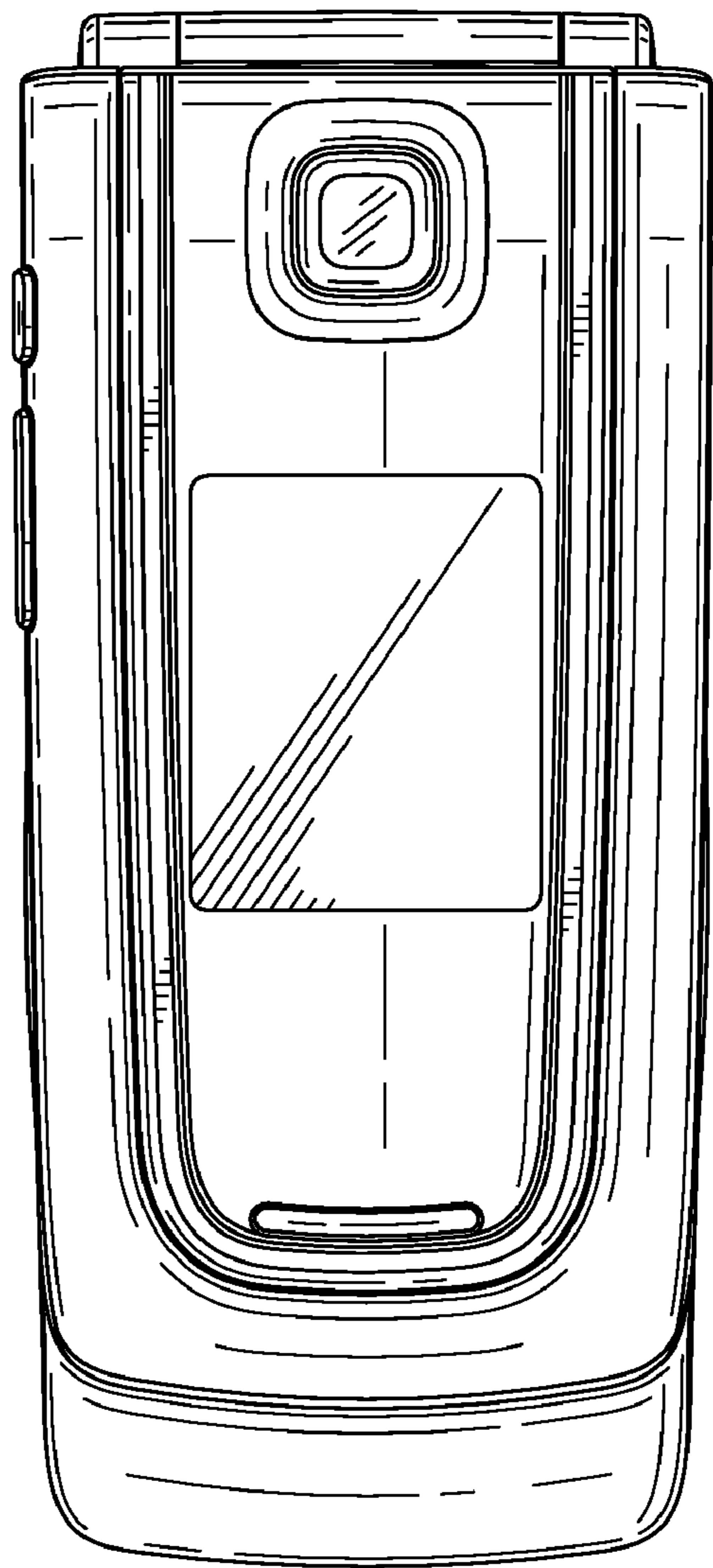


FIG. 3

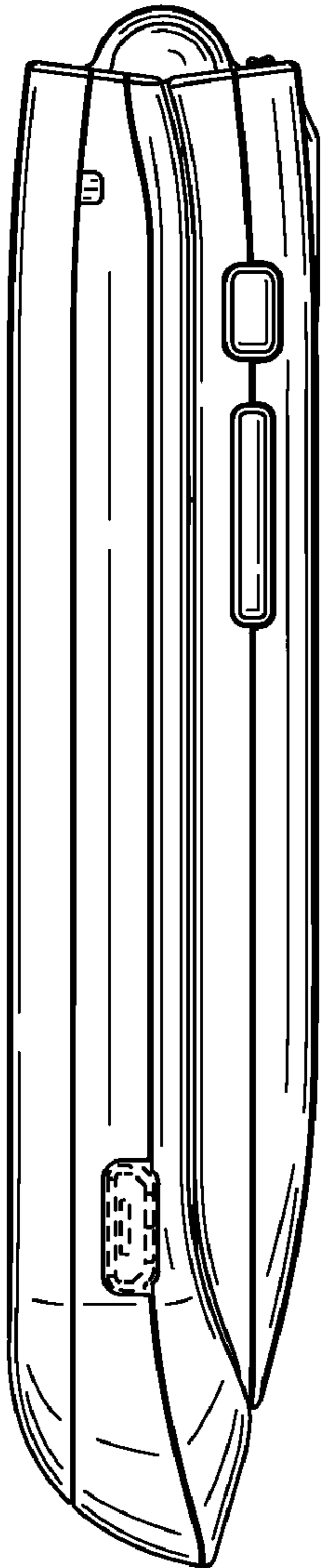


FIG. 4

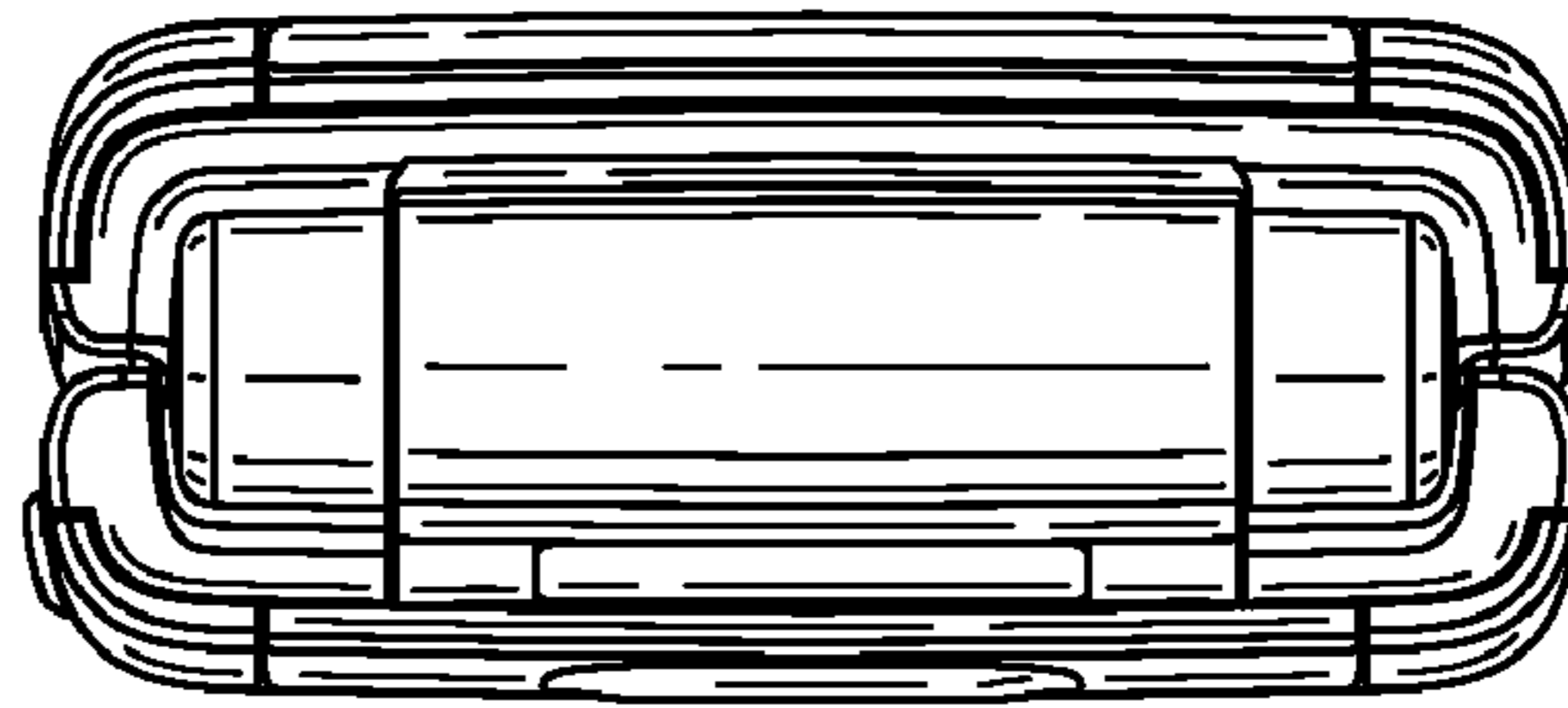


FIG. 5

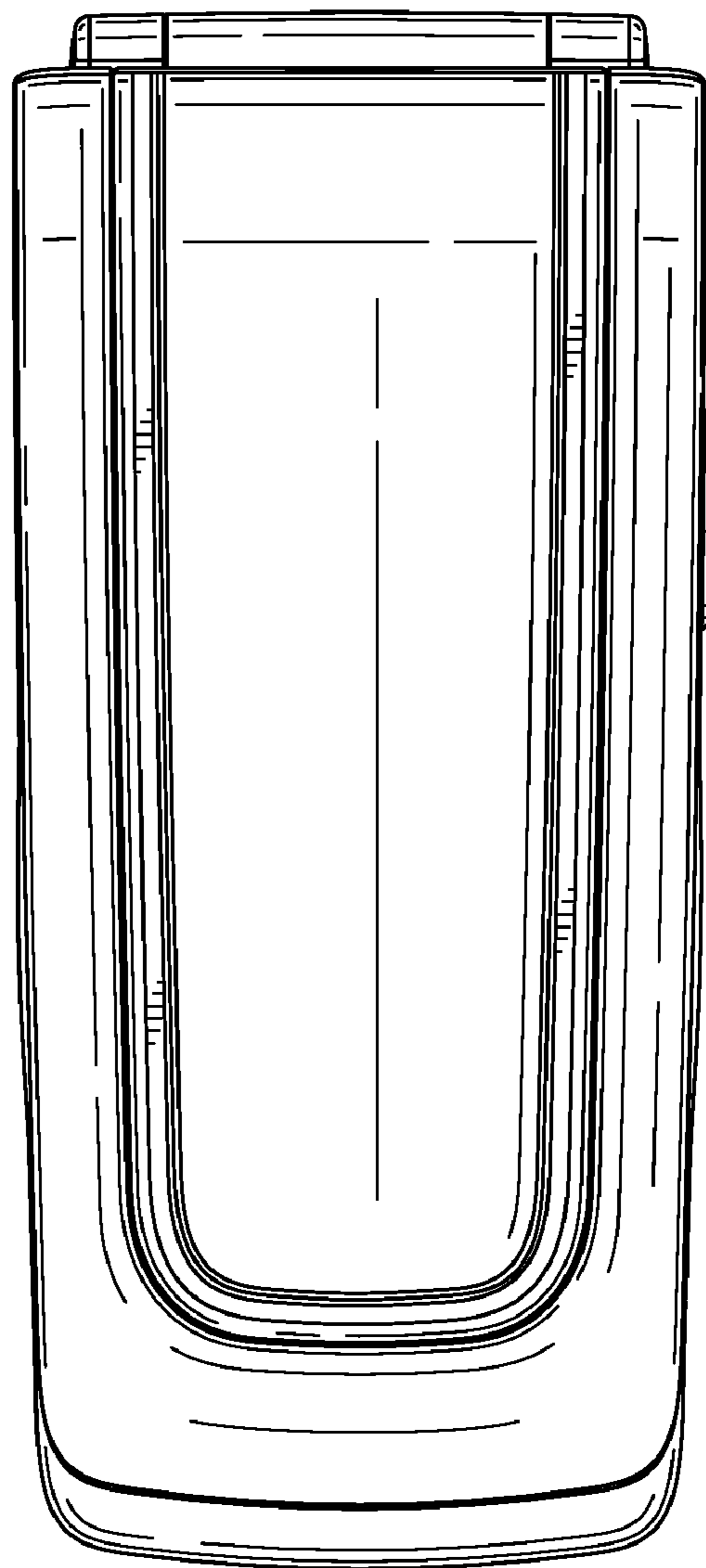


FIG. 6



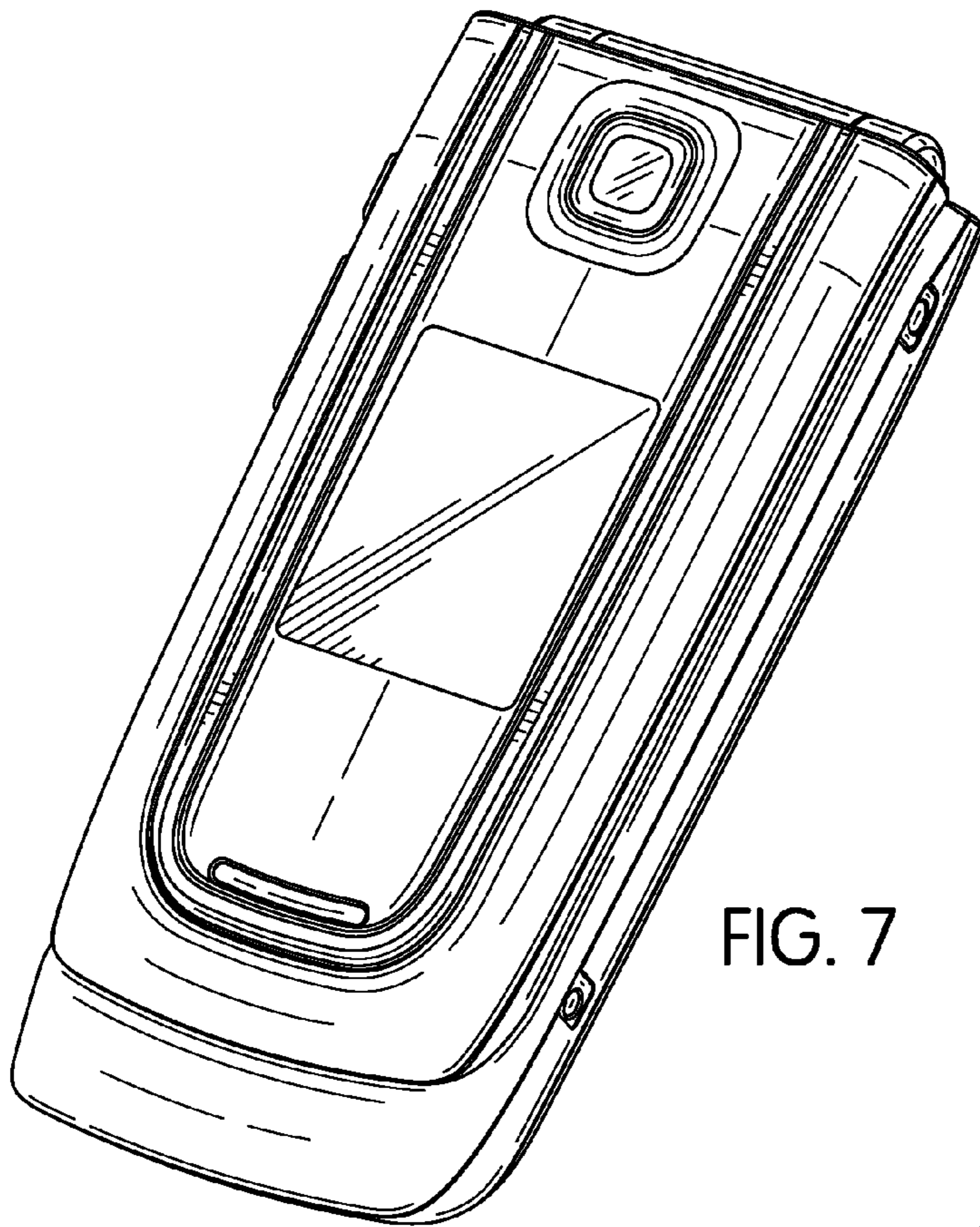


FIG. 7

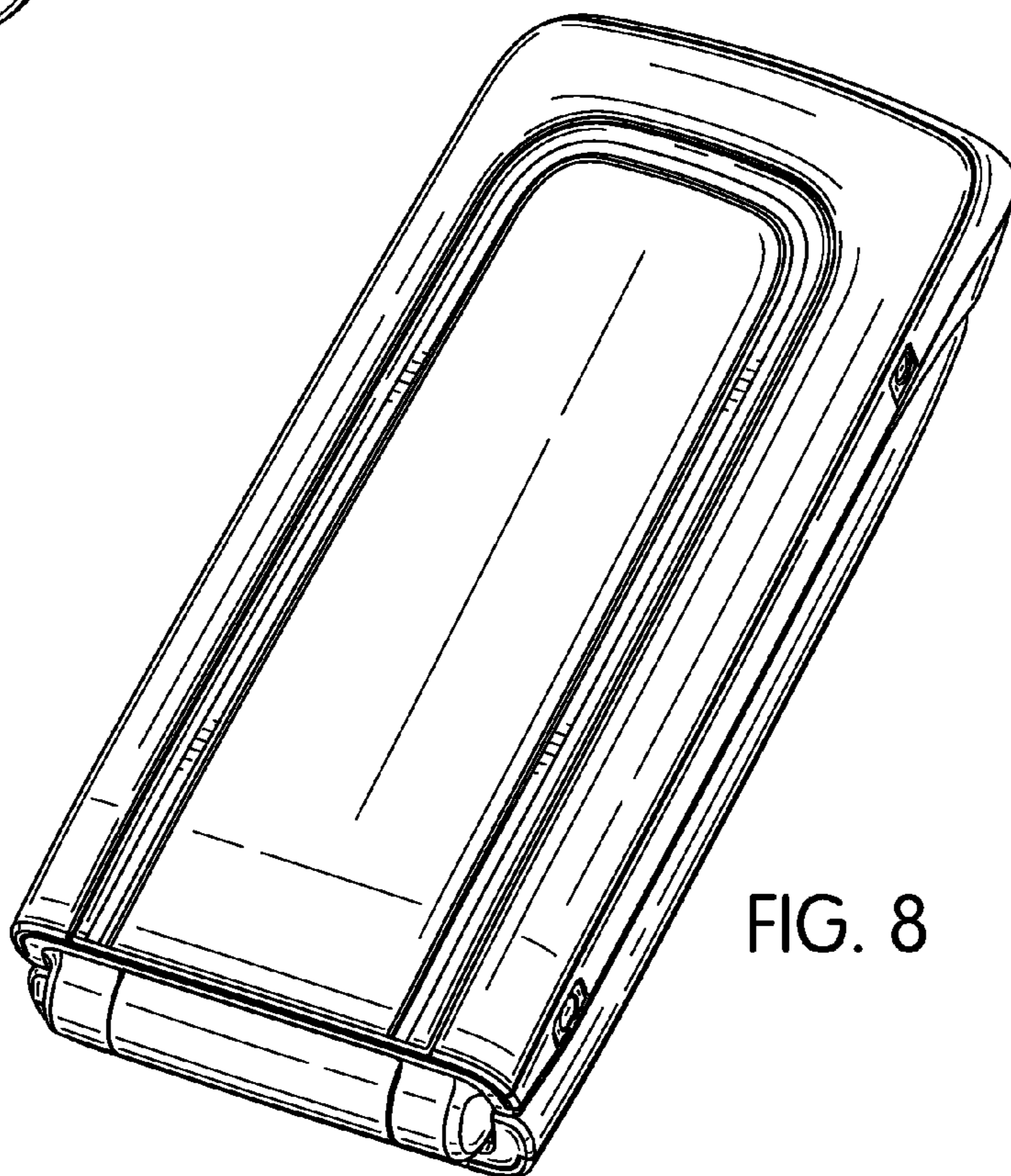


FIG. 8

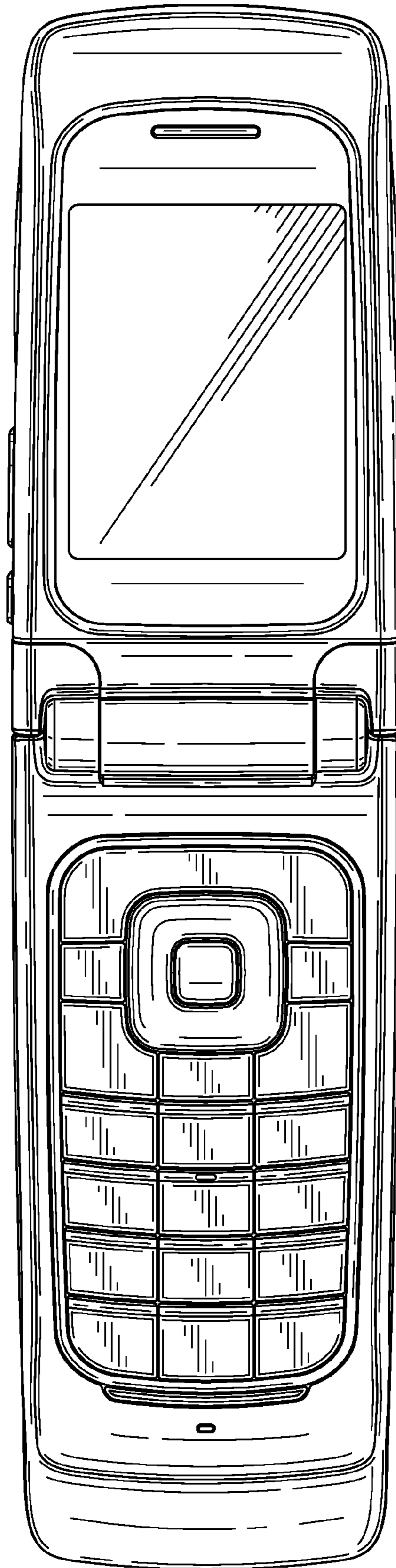


FIG. 9

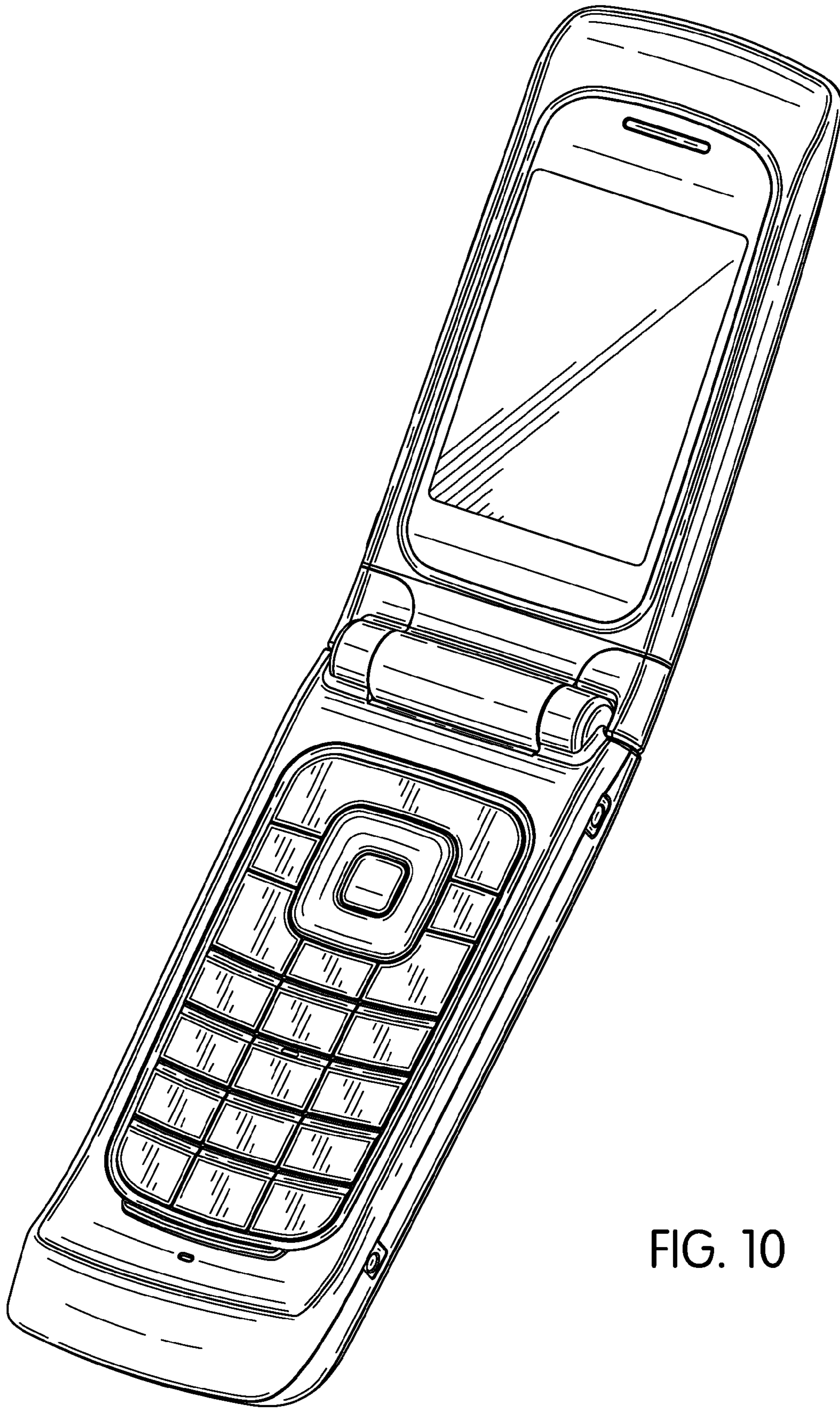


FIG. 10



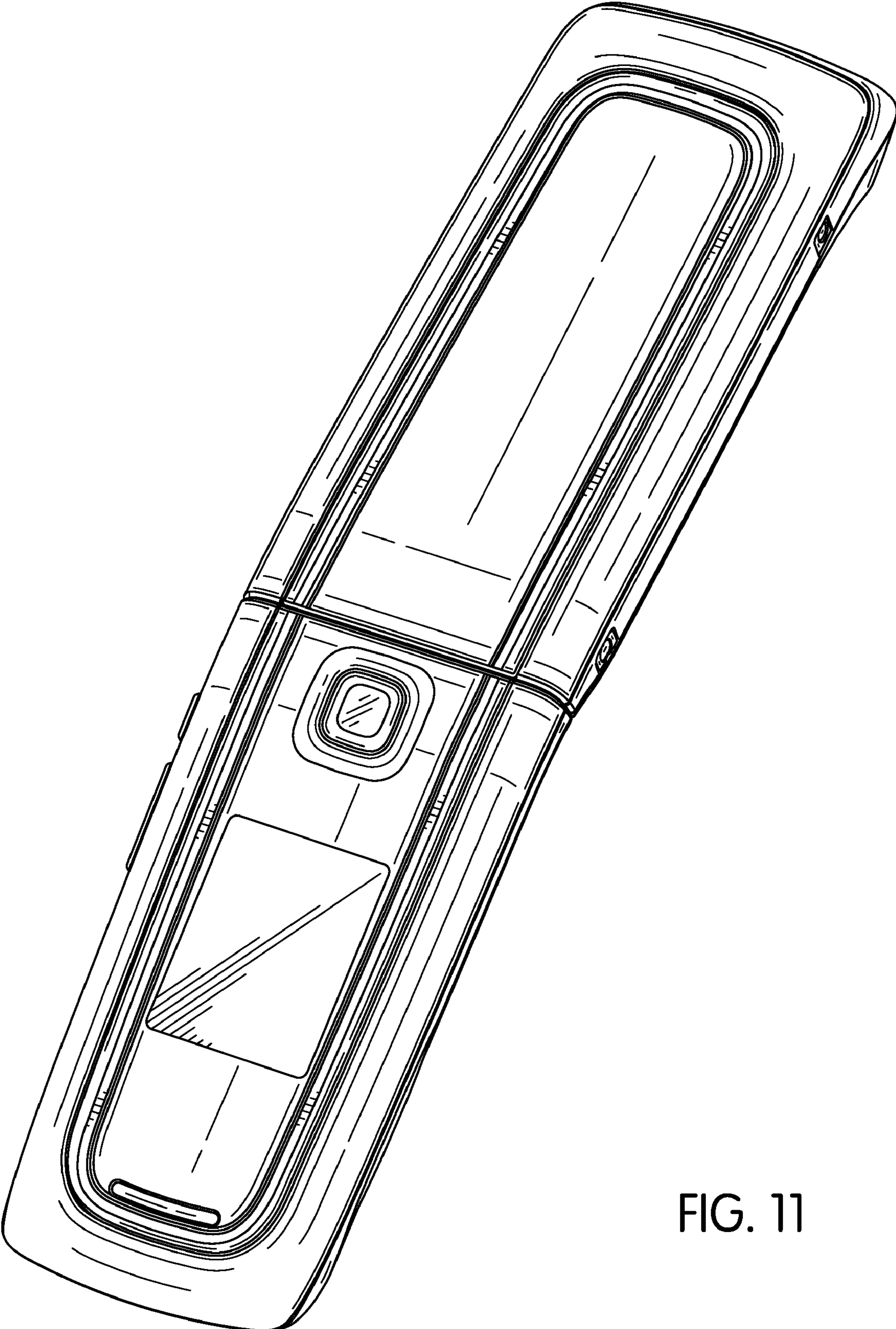


FIG. 11



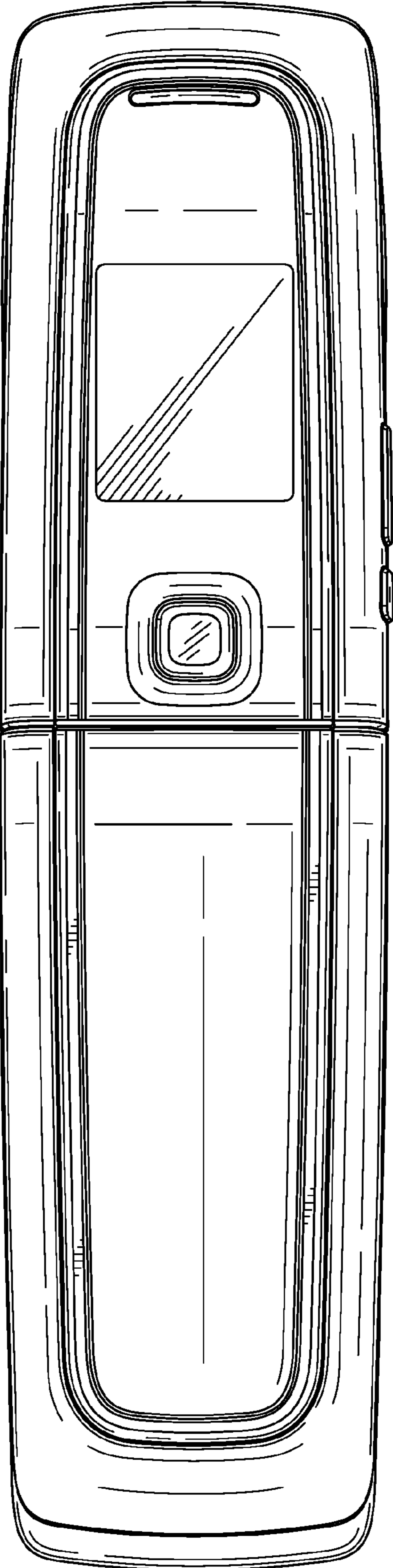


FIG. 12

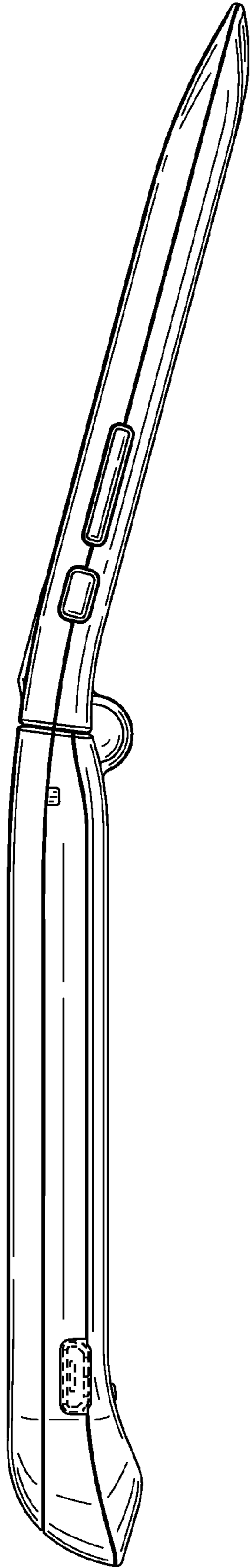


FIG. 13