

US00D568849S

(12) **United States Design Patent**
Nuovo

(10) **Patent No.:** **US D568,849 S**

(45) **Date of Patent:** **** May 13, 2008**

(54) **HANDSET**

2004/0180703 A1* 9/2004 Kim et al. 455/575.1

(75) Inventor: **Frank Nuovo**, Los Angeles, CA (US)

(73) Assignee: **Nokia Corporation**, Espoo (FI)

(**) Term: **14 Years**

(21) Appl. No.: **29/246,359**

(22) Filed: **Apr. 3, 2006**

(51) **LOC (8) Cl.** **14-03**

(52) **U.S. Cl.** **D14/138**

(58) **Field of Classification Search** D14/137-138,
D14/147-148, 156, 218, 247-248, 341-347,
D14/496; D16/208; D21/329, 331, 333,
D21/517; 348/14.01-14.02; 361/814; 379/
433.01-433.13; 455/90.3, 556.1-556.2,
455/566, 575.1, 575.3, 575.4

See application file for complete search history.

(56) **References Cited**

U.S. PATENT DOCUMENTS

D465,482 S	11/2002	Nuovo	
D465,774 S *	11/2002	Nuovo	D14/138
D466,890 S	12/2002	Nuovo	
D499,709 S *	12/2004	Nuovo et al.	D14/138
D522,988 S *	6/2006	Sheu	D14/138
D524,276 S *	7/2006	Kim et al.	D14/138
D525,229 S *	7/2006	Friesen et al.	D14/138
D526,636 S *	8/2006	Kim et al.	D14/138
D538,770 S *	3/2007	Lyles	D14/138
D541,246 S *	4/2007	Kim et al.	D14/138
D542,259 S *	5/2007	Cho et al.	D14/138
D543,186 S *	5/2007	Kim et al.	D14/138
D543,530 S *	5/2007	Ahn et al.	D14/138
D554,101 S *	10/2007	Hu	D14/138

FOREIGN PATENT DOCUMENTS

DK	2002 00376	6/2002
EM	000086129-0001	9/2005
EM	000086129-0002	9/2005
EM	000086129-0003	9/2005
EM	000086129-0004	9/2005

OTHER PUBLICATIONS

Bird M11, announced 1Q 2006, <URL:www.gsmarena.com>, retrieved from internet Dec. 4, 2007.*

Sagem MY V-85, announced 4Q 2005, <URL:www.gsmarena.com>, retrieved from internet Dec. 4, 2007.*

* cited by examiner

Primary Examiner—Jeffrey Asch

Assistant Examiner—Carla Jobe Wright

(74) *Attorney, Agent, or Firm*—Banner & Witcoff, Ltd

(57) **CLAIM**

The ornamental design for a handset, as shown and described.

DESCRIPTION

FIG. 1 is a bottom plan view of a handset showing my new design;

FIG. 2 is a right side view thereof;

FIG. 3 is a front view thereof;

FIG. 4 is a left side view thereof;

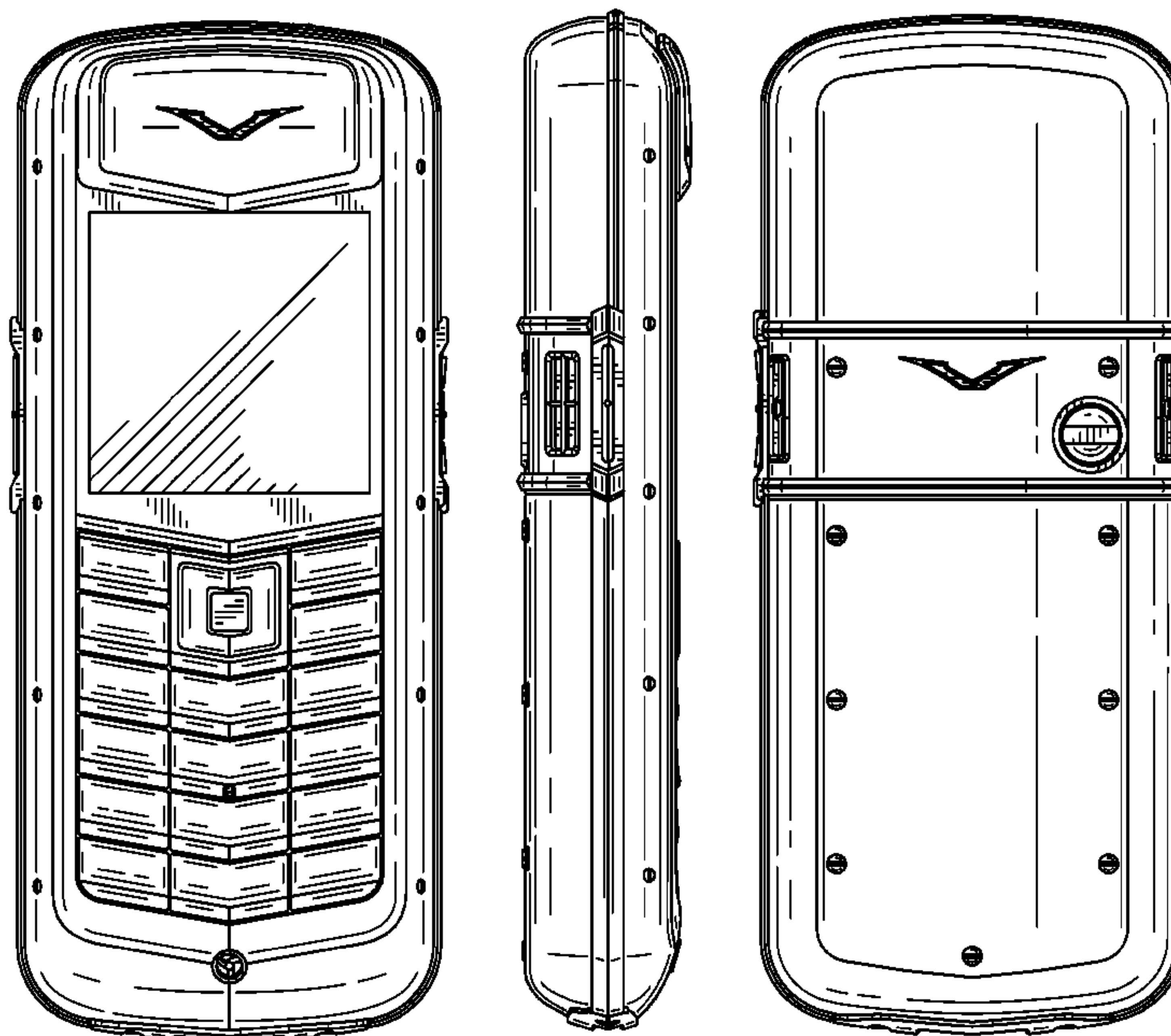
FIG. 5 is a top plan view thereof;

FIG. 6 is a rear view thereof;

FIG. 7 is a perspective front view thereof; and,

FIG. 8 is a perspective rear view thereof.

1 Claim, 4 Drawing Sheets



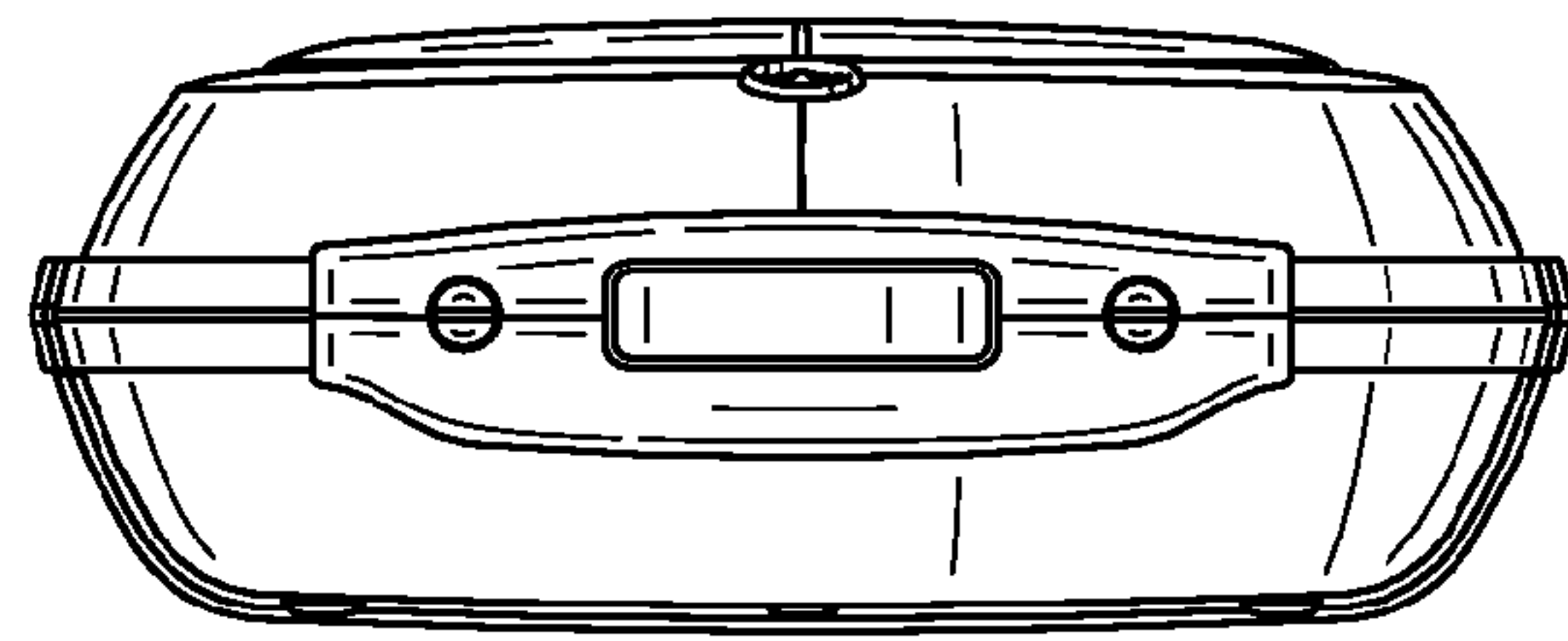


FIG. 1

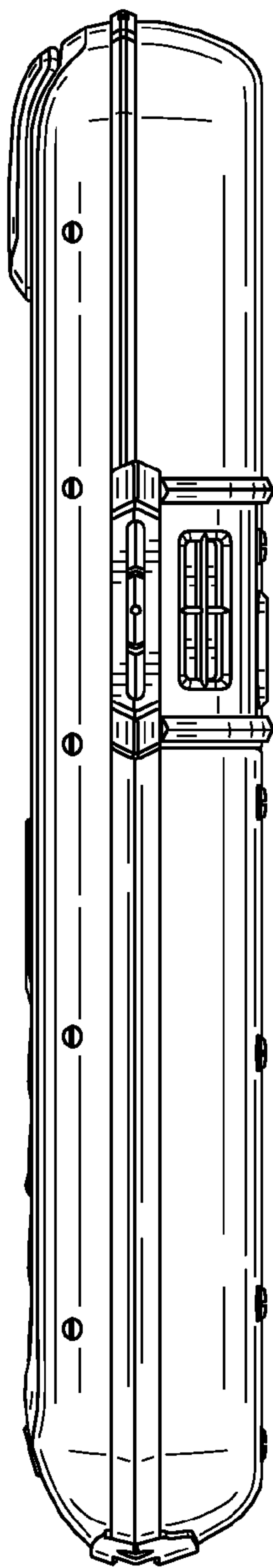


FIG. 2

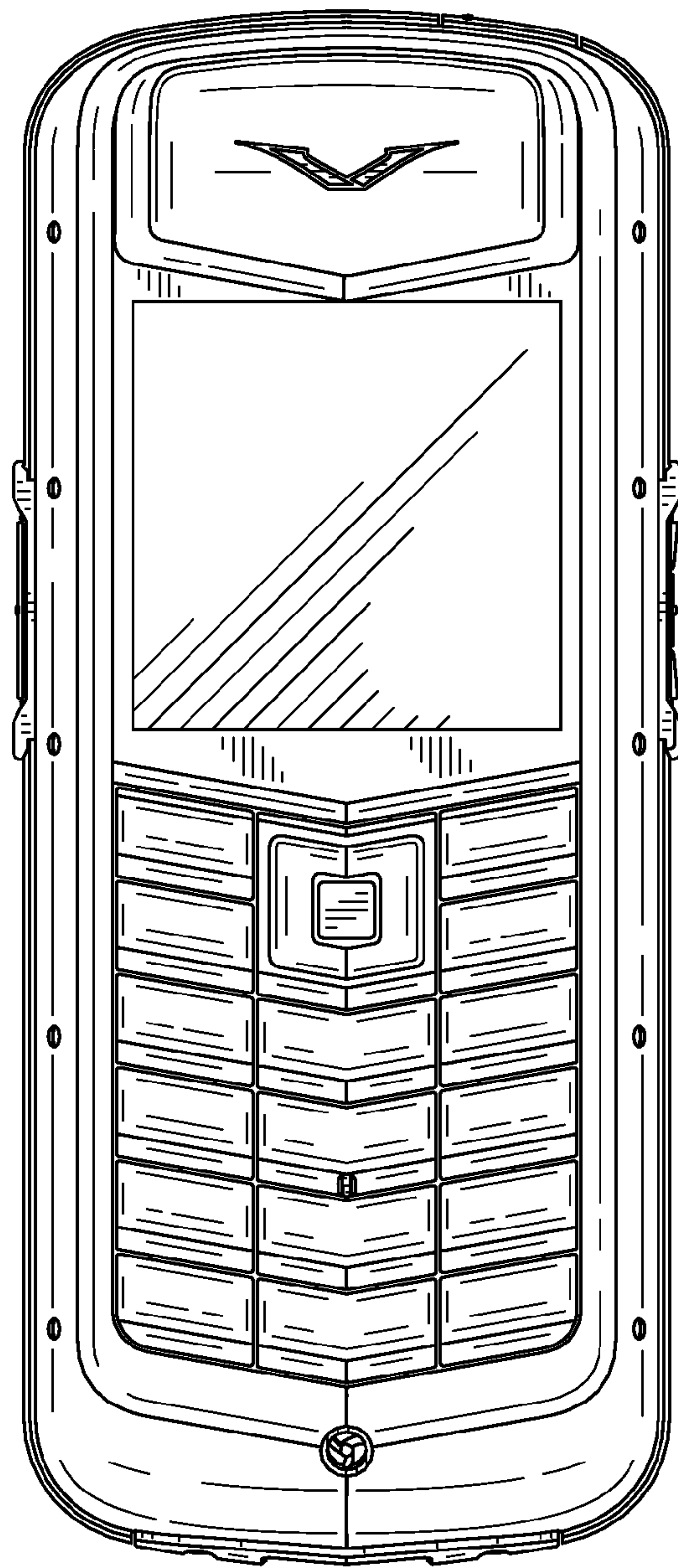


FIG. 3

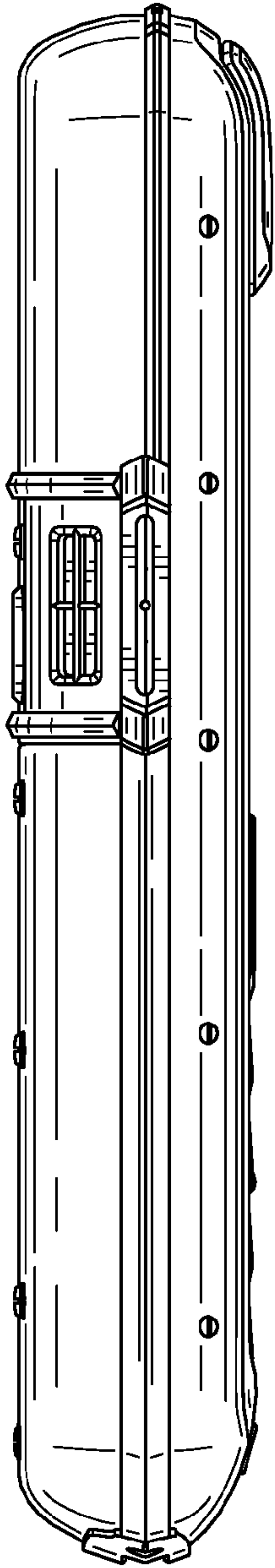


FIG. 4

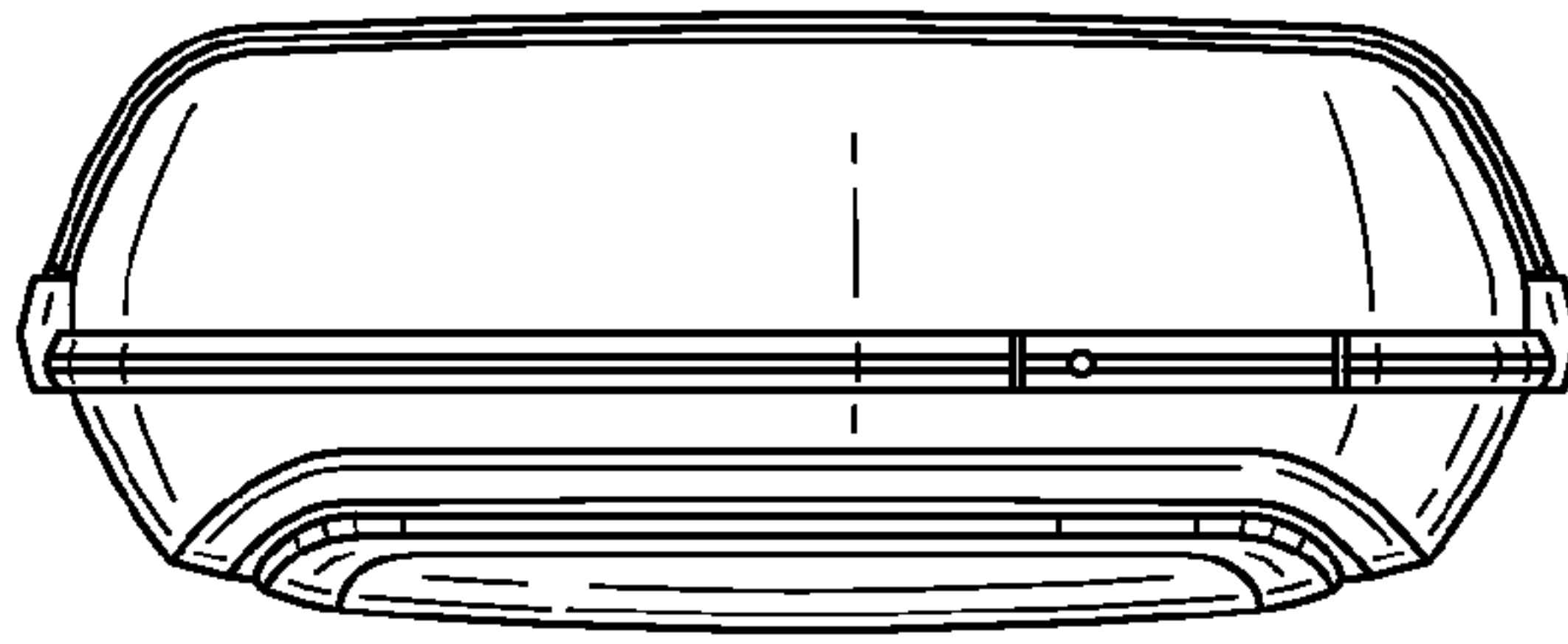


FIG. 5

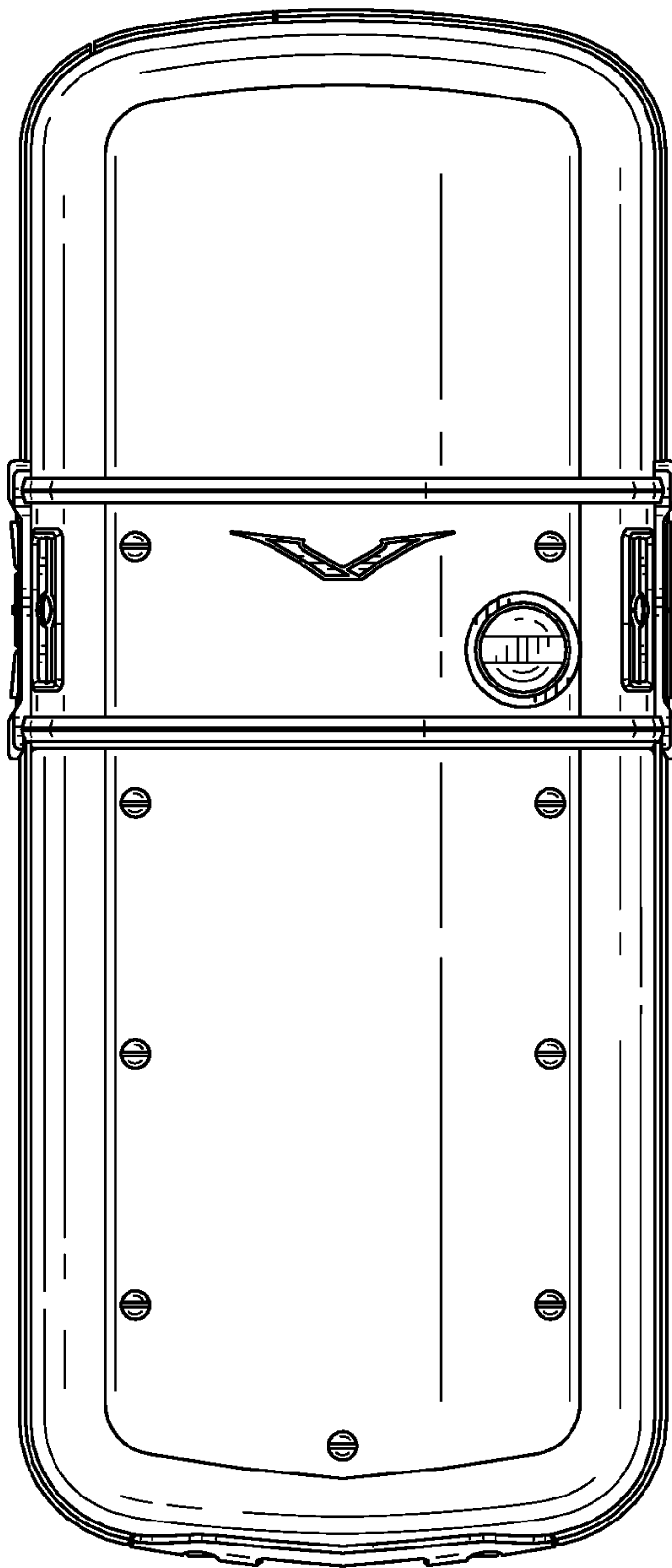


FIG. 6



FIG. 7

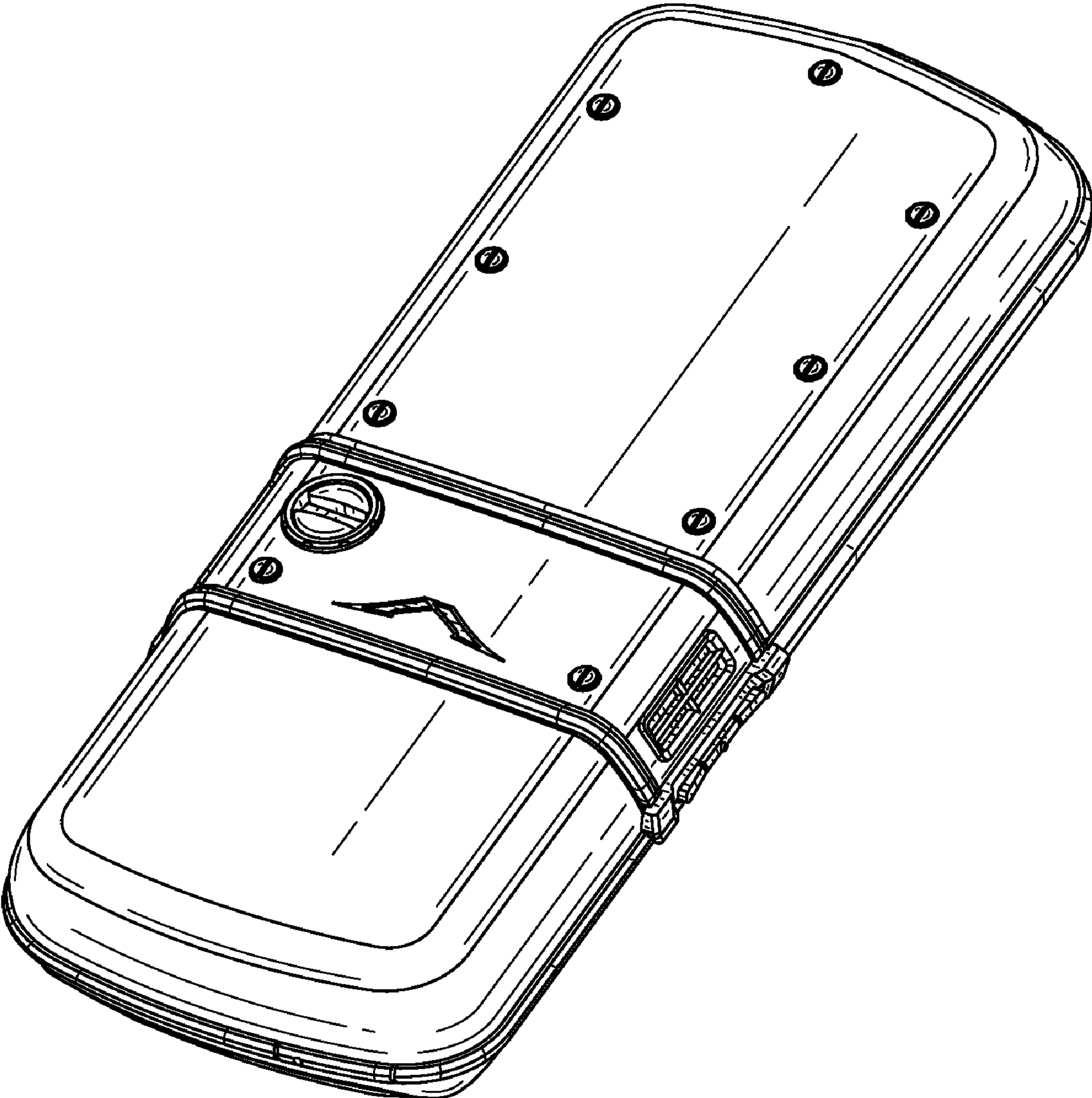


FIG. 8