

US00D568845S

(12) **United States Design Patent**  
**Takami et al.**

(10) **Patent No.: US D568,845 S**

(45) **Date of Patent: \*\* \*May 13, 2008**

(54) **TELEVISION RECEIVER**

(75) Inventors: **Mitsuru Takami**, Kadoma (JP);  
**Yukihiro Tsuda**, Kadoma (JP)

(73) Assignee: **Matsushita Electric Industrial Co., Ltd.**, Osaka (JP)

(\*) Notice: This patent is subject to a terminal disclaimer.

(\*\*) Term: **14 Years**

(21) Appl. No.: **29/273,925**

(22) Filed: **Mar. 16, 2007**

(30) **Foreign Application Priority Data**

Sep. 21, 2006 (JP) ..... 2006-025231

(51) **LOC (8) Cl.** ..... **14-03**

(52) **U.S. Cl.** ..... **D14/126**

(58) **Field of Classification Search** ..... D14/125-134,  
D14/239, 371, 136, 374-377; 312/7.2; 348/836,  
348/838, 180, 184, 325, 739; 341/12; 248/917-924,  
248/465; 345/104, 133, 156, 168, 87, 173;  
720/605, 669, 600, 655; 369/99, 197; 455/344-347  
See application file for complete search history.

(56) **References Cited**

**U.S. PATENT DOCUMENTS**

- D436,087 S \* 1/2001 Takami et al. .... D14/126
- D457,507 S \* 5/2002 Lim et al. .... D14/133
- D477,292 S \* 7/2003 Inoue et al. .... D14/129
- D488,784 S 4/2004 Takami et al.
- D488,785 S \* 4/2004 Ohba et al. .... D14/126
- D491,151 S 6/2004 Nagao
- D505,807 S \* 6/2005 Goto et al. .... D6/477
- D513,501 S 1/2006 Asanuma et al.
- D515,048 S \* 2/2006 Villalobos et al. .... D14/128
- D515,049 S \* 2/2006 Asanuma et al. .... D14/129
- D515,848 S \* 2/2006 Takami et al. .... D6/477

- D519,755 S \* 5/2006 Luong ..... D6/479
- D539,245 S \* 3/2007 Bischoff ..... D14/126
- D540,760 S \* 4/2007 Macey et al. .... D16/134
- D543,164 S \* 5/2007 Yang et al. .... D14/126
- D543,166 S \* 5/2007 Kuramashi et al. .... D14/128
- D545,778 S \* 7/2007 Isshiki ..... D14/126
- D549,194 S \* 8/2007 Fujii ..... D14/126

**OTHER PUBLICATIONS**

- Takami et al., U.S. Design Application entitled "Television Receiver," U.S. Appl. No. 29/273,872, filed Mar. 15, 2007.
- Takami et al., U.S. Design Application entitled "Television Receiver," U.S. Appl. No. 29/273,873, filed Mar. 15, 2007.
- Takami et al., U.S. Design Application entitled "Television Receiver," U.S. Appl. No. 29/273,924, filed Mar. 16, 2007.
- Takami et al., U.S. Design Application entitled "Television Receiver," U.S. Appl. No. 29/273,926, filed Mar. 16, 2007.
- Takami et al., U.S. Design Application entitled "Television Receiver," U.S. Appl. No. 29/273,927, filed Mar. 16, 2007.

\* cited by examiner

*Primary Examiner*—Raphael Barkai

(74) *Attorney, Agent, or Firm*—Brinks Hofer Gilson & Lione

(57) **CLAIM**

We claim the ornamental design for a television receiver, as shown and described.

**DESCRIPTION**

FIG. 1 is a top perspective view of a television receiver of the present invention;

FIG. 2 is a front view thereof;

FIG. 3 is a first side view thereof;

FIG. 4 is a second side view thereof;

FIG. 5 is a top view thereof;

FIG. 6 is a rear view thereof; and,

FIG. 7 is a bottom view thereof.

**1 Claim, 4 Drawing Sheets**

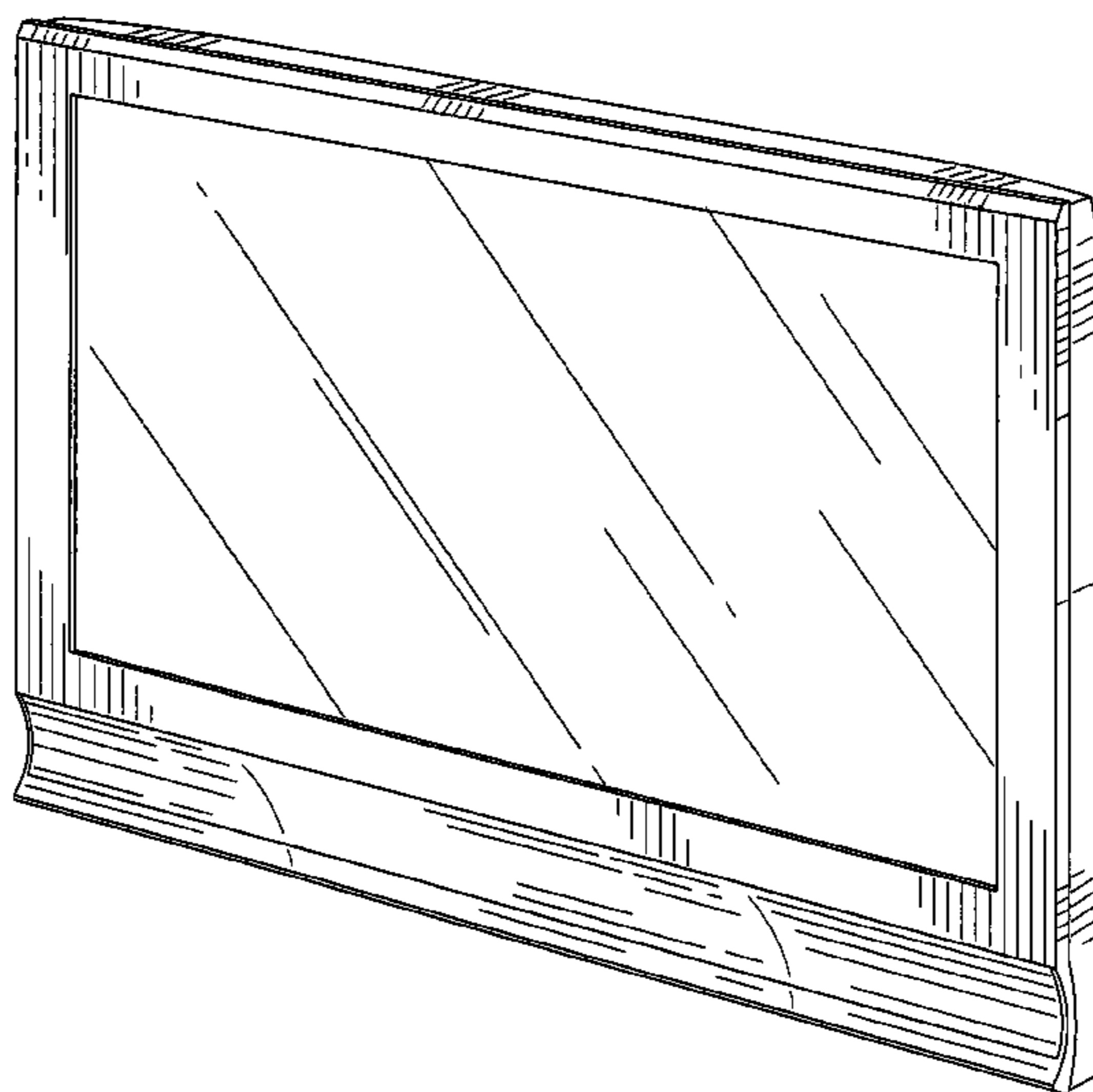


FIG. 1

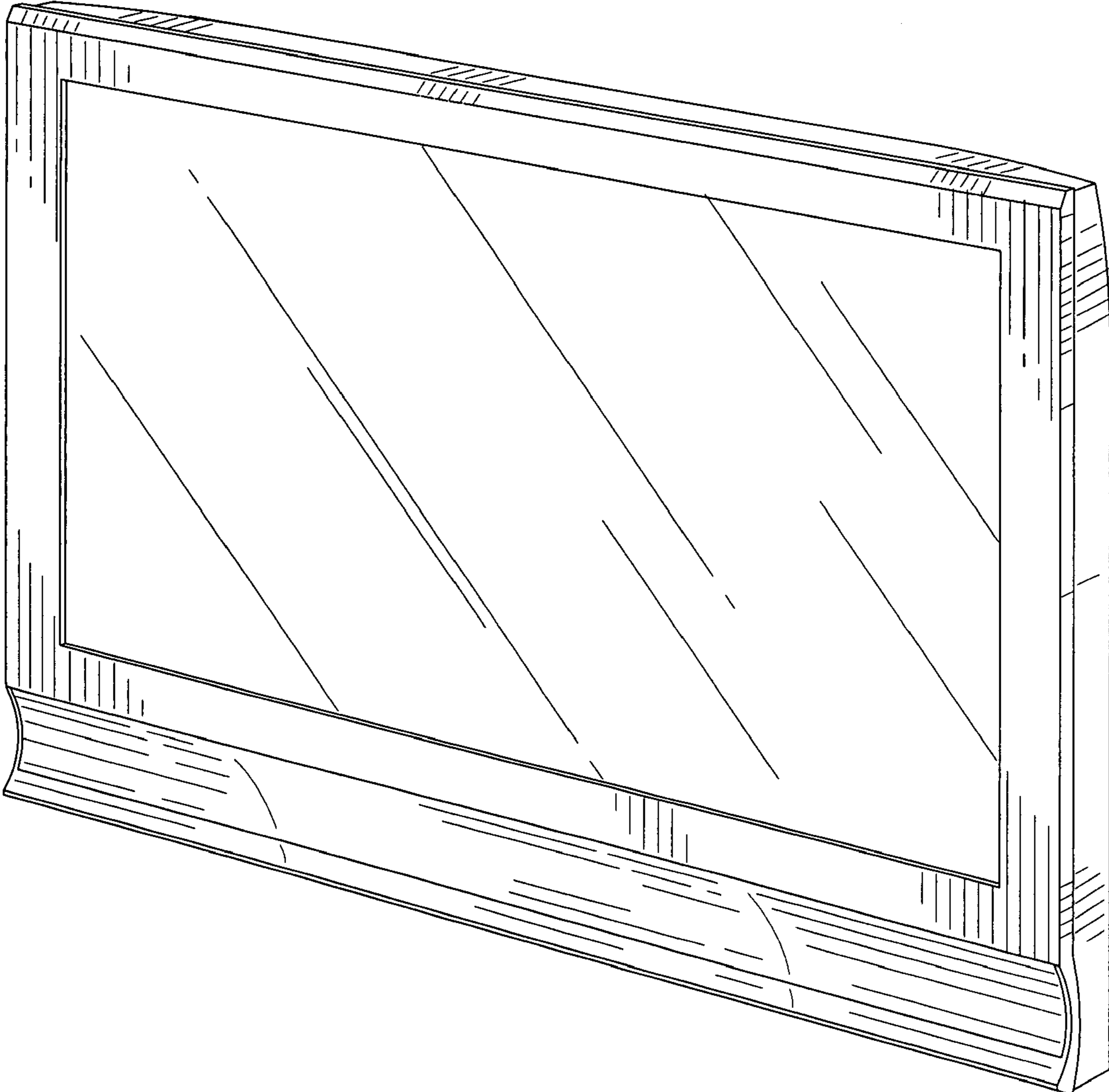


FIG.2

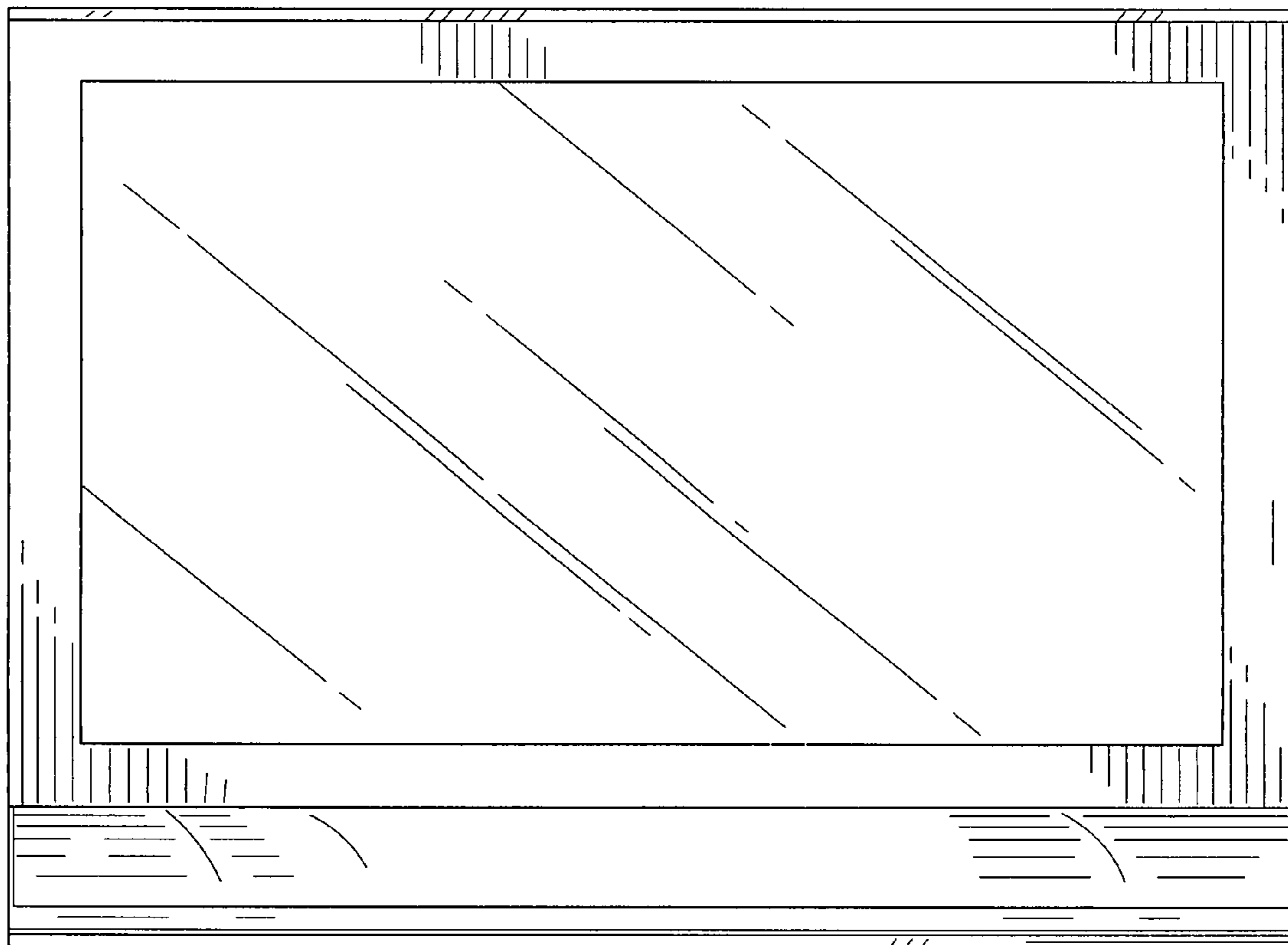


FIG.3

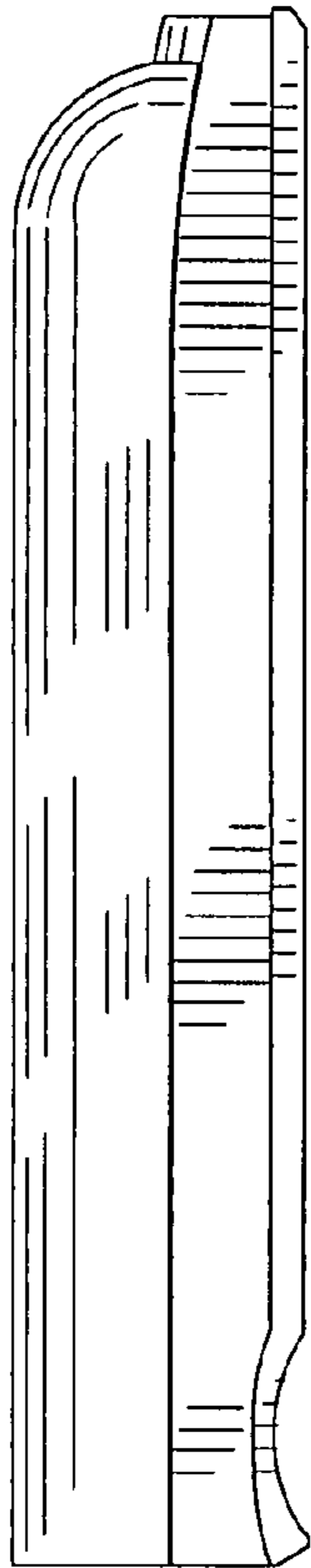


FIG.4

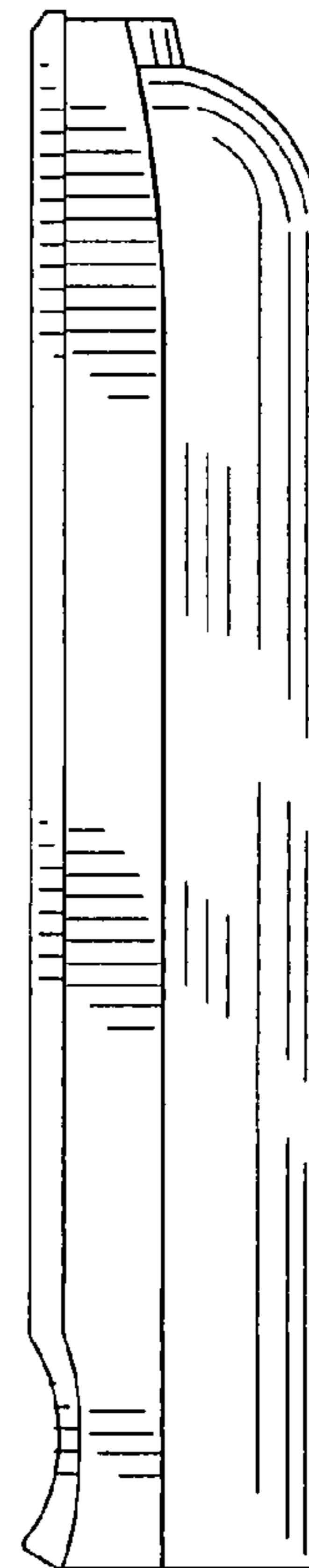


FIG.5

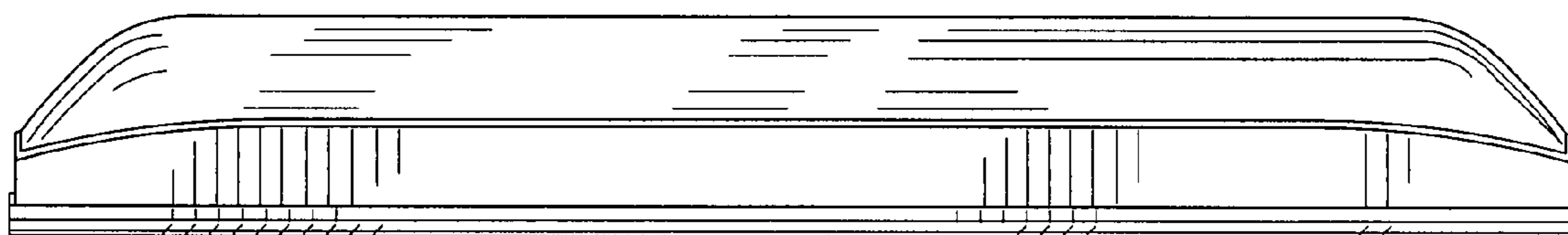


FIG.6

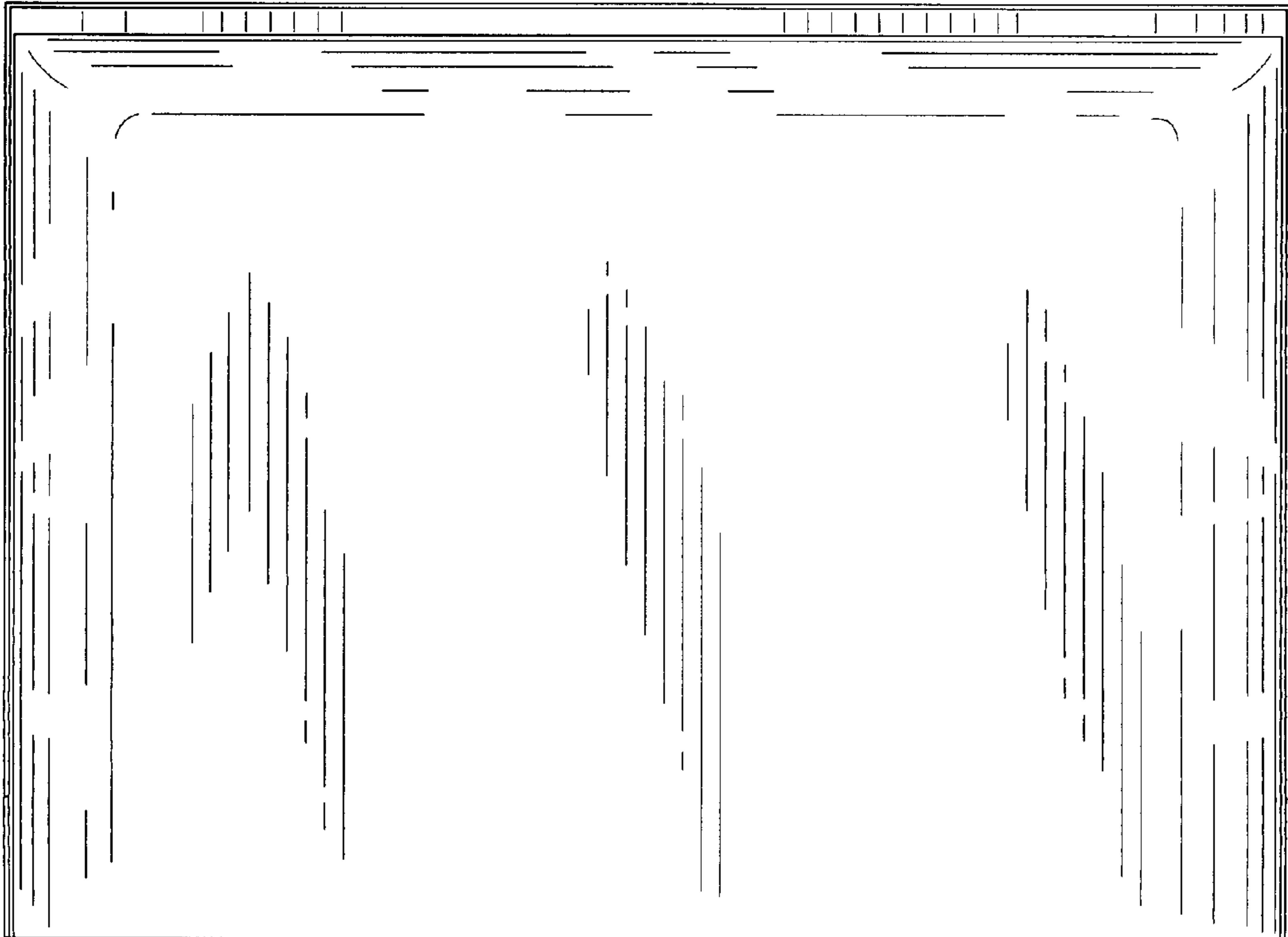


FIG.7

