



US00D568843S

(12) **United States Design Patent**
Fujiki

(10) **Patent No.:** **US D568,843 S**

(45) **Date of Patent:** **** May 13, 2008**

(54) **MONITOR TELEVISION RECEIVER**

(75) Inventor: **Gen Fujiki**, Tokyo (JP)

(73) Assignee: **Sony Corporation**, Tokyo (JP)

(**) Term: **14 Years**

(21) Appl. No.: **29/261,876**

(22) Filed: **Jun. 22, 2006**

(51) **LOC (8) Cl.** **14-03**

(52) **U.S. Cl.** **D14/126**

(58) **Field of Classification Search** D14/125-134,
D14/239, 371, 136, 374-377; 312/7.2; 348/836,
348/838, 180, 184, 325, 739; 341/12; 248/917-924,
248/465; 345/104, 133, 156, 168, 87, 173;
720/605, 669, 600, 655; 369/99, 197; 455/344-347
See application file for complete search history.

(56) **References Cited**

U.S. PATENT DOCUMENTS

- D427,169 S * 6/2000 Saeki et al. D14/126
- D473,853 S * 4/2003 Inoue et al. D14/126

- D503,157 S * 3/2005 Fujii et al. D14/126
- D529,011 S * 9/2006 Asanuma et al. D14/126
- D533,149 S * 12/2006 Inoue D14/126
- D540,278 S * 4/2007 Ju et al. D14/126
- D549,194 S * 8/2007 Fujii D14/126
- D549,673 S * 8/2007 Niitsu D14/126

* cited by examiner

Primary Examiner—Raphael Barkai
(74) *Attorney, Agent, or Firm*—Rader, Fishman & Grauer, PLLC

(57) **CLAIM**

The ornamental design for a monitor television receiver, as shown and described.

DESCRIPTION

FIG. 1 is a perspective view of a monitor television receiver showing my new design;

FIG. 2 is a front elevational perspective view thereof; and,

FIG. 3 is a rear elevational view thereof.

1 Claim, 3 Drawing Sheets

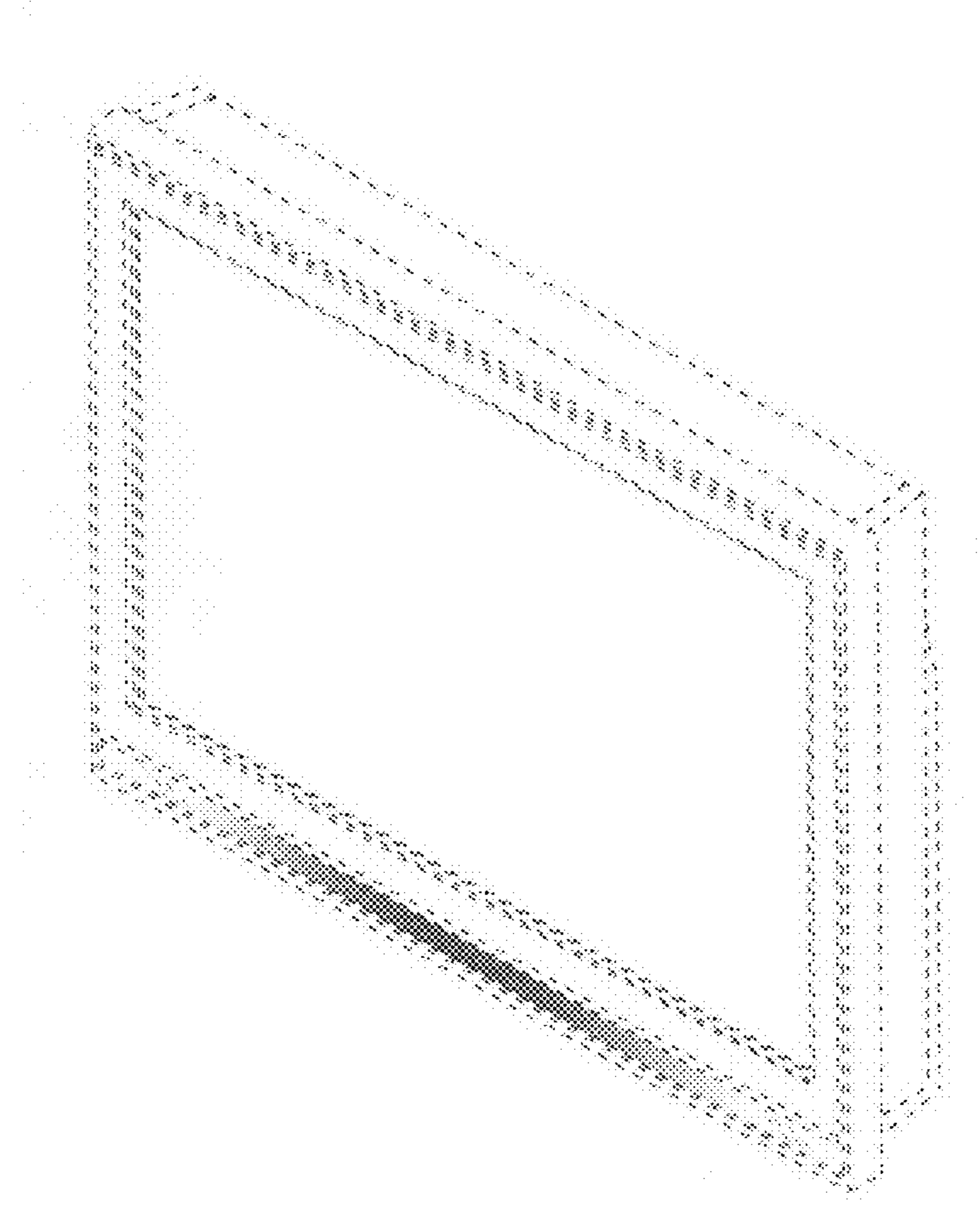


Fig. 1

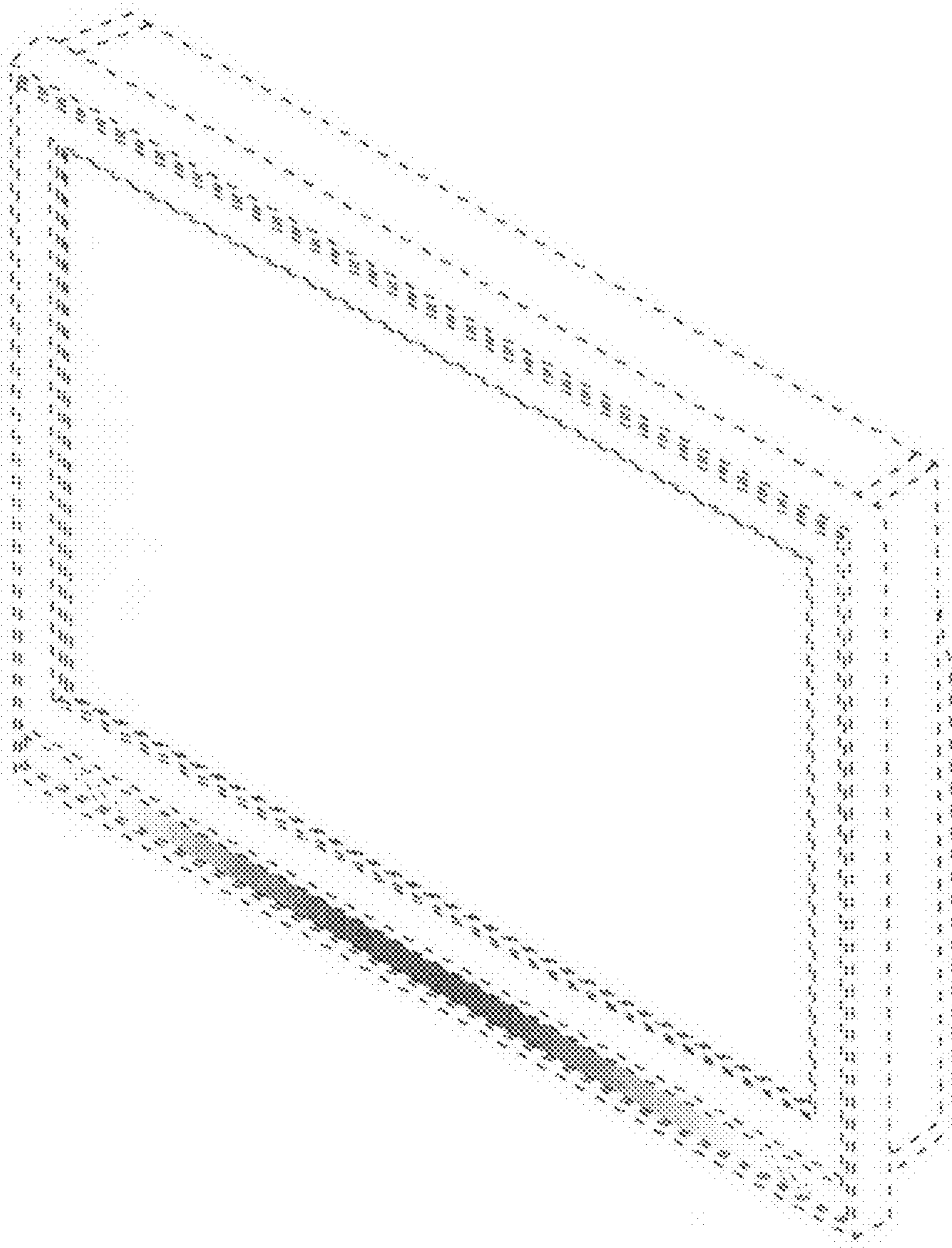


Fig. 2

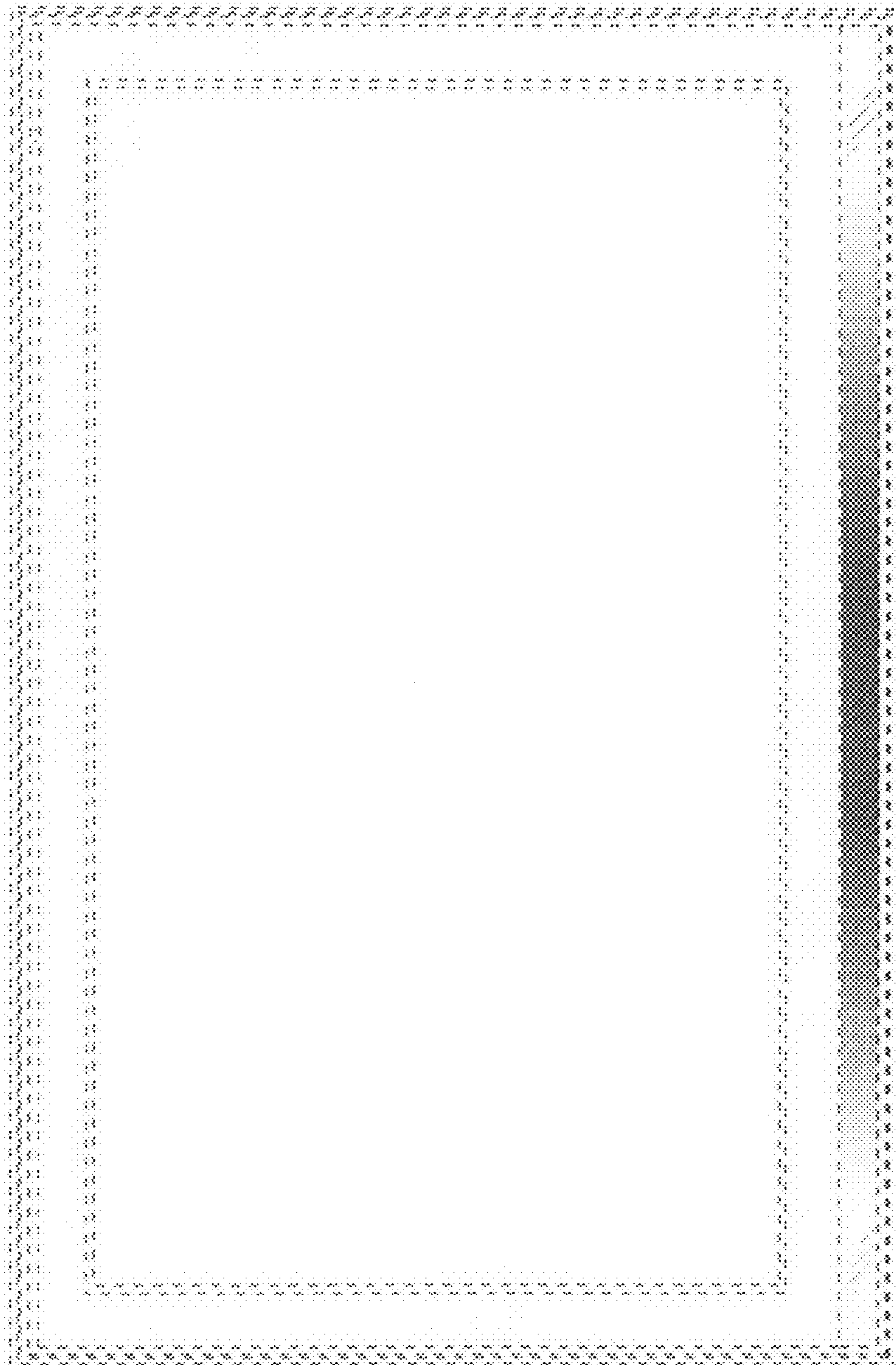


Fig. 3

