



US00D568842S

(12) **United States Design Patent**  
**Iijima**

(10) **Patent No.:** **US D568,842 S**

(45) **Date of Patent:** **\*\* May 13, 2008**

(54) **TELEVISION RECEIVER**

(75) Inventor: **Yoshimune Iijima**, Tokyo (JP)

(73) Assignee: **Sony Corporation**, Tokyo (JP)

(\*\*) Term: **14 Years**

(21) Appl. No.: **29/260,979**

(22) Filed: **Jun. 6, 2006**

(30) **Foreign Application Priority Data**

Mar. 10, 2006 (JP) ..... 2006-006174

(51) **LOC (8) Cl.** ..... **14-03**

(52) **U.S. Cl.** ..... **D14/126**

(58) **Field of Classification Search** ..... D14/125-134,  
D14/239, 371, 136, 374-377; 312/7.2; 348/836,  
348/838, 180, 184, 325, 739; 341/12; 248/917-924,  
248/465, 123.11; 345/104, 133, 156, 168,  
345/87, 173, 169; 349/1, 2, 11, 62; 720/605,  
720/669, 600, 655, 99, 197; 455/344-347  
See application file for complete search history.

(56) **References Cited**

**U.S. PATENT DOCUMENTS**

D438,848 S *	3/2001	Kita	.....	D14/126
D472,532 S *	4/2003	Niitsu	.....	D14/126
D486,803 S	2/2004	Fujiki et al.		
D496,046 S *	9/2004	Lo	.....	D14/375
D496,915 S *	10/2004	Kita	.....	D14/126
D502,931 S *	3/2005	Kita	.....	D14/126
D505,403 S *	5/2005	Kita	.....	D14/126
D511,339 S *	11/2005	Tsuge	.....	D14/214
D511,754 S	11/2005	Hirano		

D528,114 S *	9/2006	Kawa et al.	.....	D14/375
D541,237 S *	4/2007	Kita	.....	D14/126
D543,163 S *	5/2007	Yang et al.	.....	D14/126
D547,748 S *	7/2007	Tsuge	.....	D14/211
D550,176 S *	9/2007	Asanuma et al.	.....	D14/126

**FOREIGN PATENT DOCUMENTS**

JP	D1242458 S	6/2005
JP	D1243665 S	6/2005
JP	D1243666 S	6/2005
JP	D1243670 S	6/2005
JP	D1243671 S	6/2005

\* cited by examiner

*Primary Examiner*—Raphael Barkai

*Assistant Examiner*—Randall H Gholson

(74) *Attorney, Agent, or Firm*—Rader, Fishman & Grauer, PLLC

(57) **CLAIM**

The ornamental design for a television receiver, as shown.

**DESCRIPTION**

FIG. 1 is a perspective view of a television receiver showing my new design;

FIG. 2 is a front elevational view thereof;

FIG. 3 is a rear elevational view thereof;

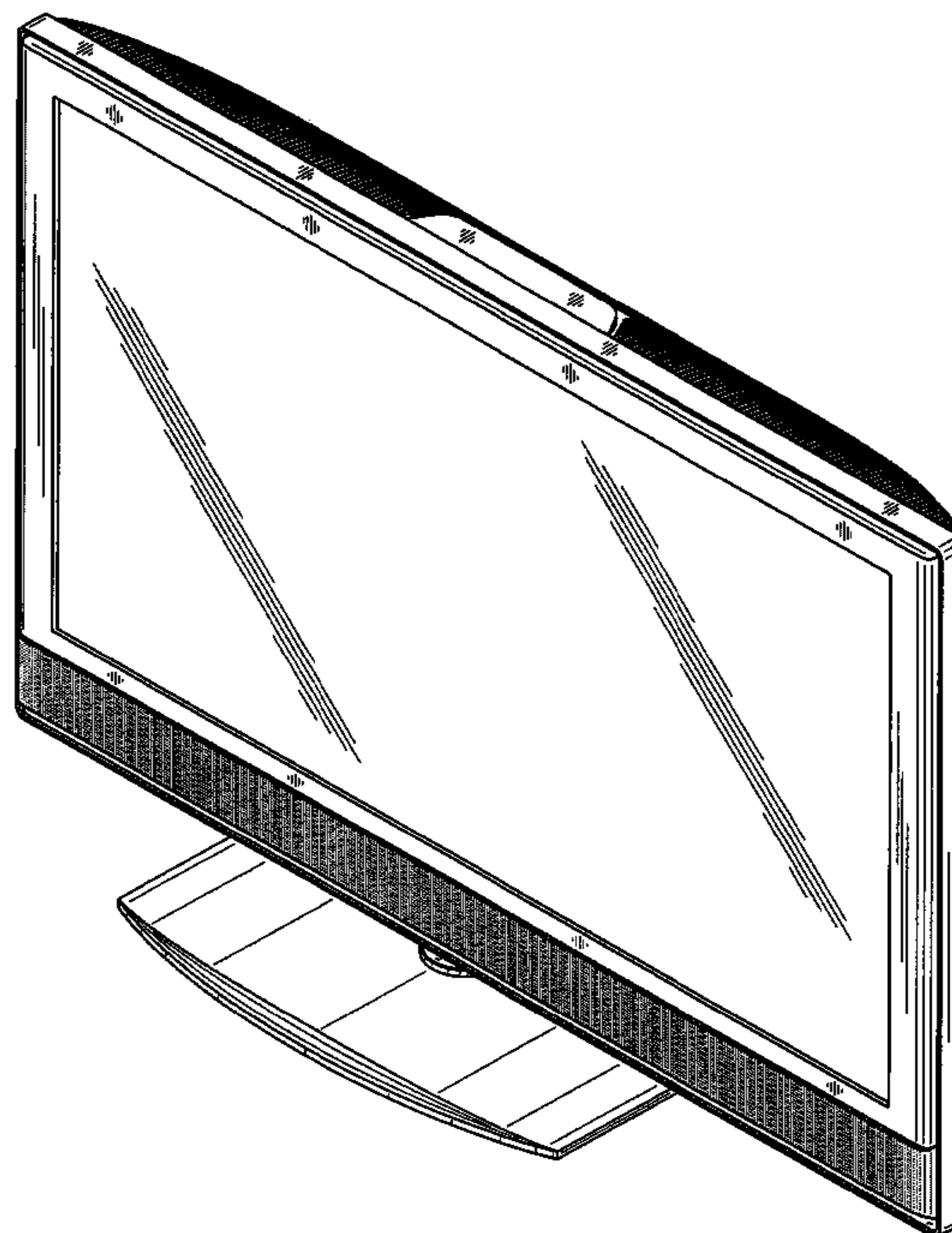
FIG. 4 is a left side elevational view thereof;

FIG. 5 is a right side elevational view thereof;

FIG. 6 is a top plan view thereof; and,

FIG. 7 is a bottom plan view thereof.

**1 Claim, 7 Drawing Sheets**



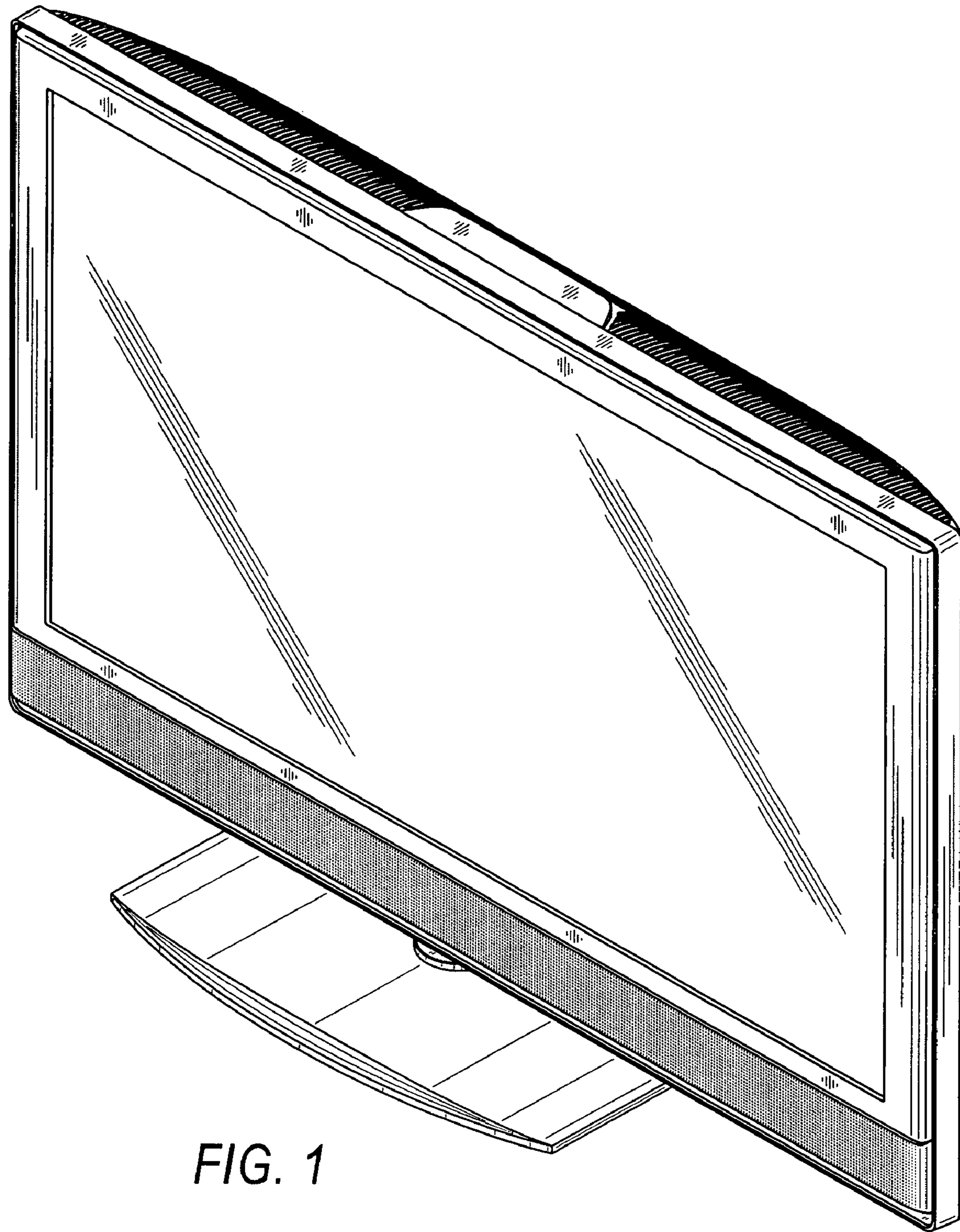


FIG. 1

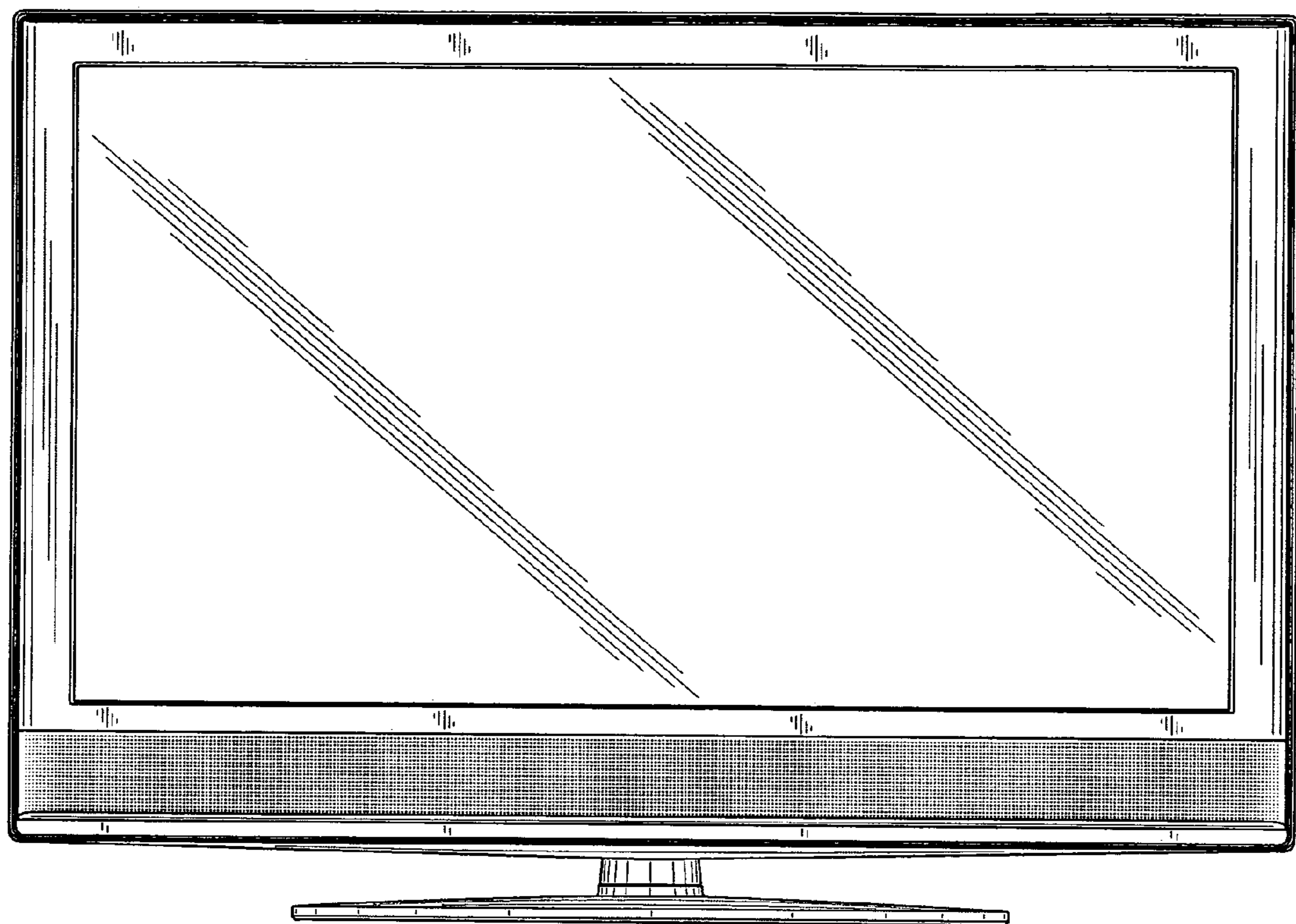


FIG. 2

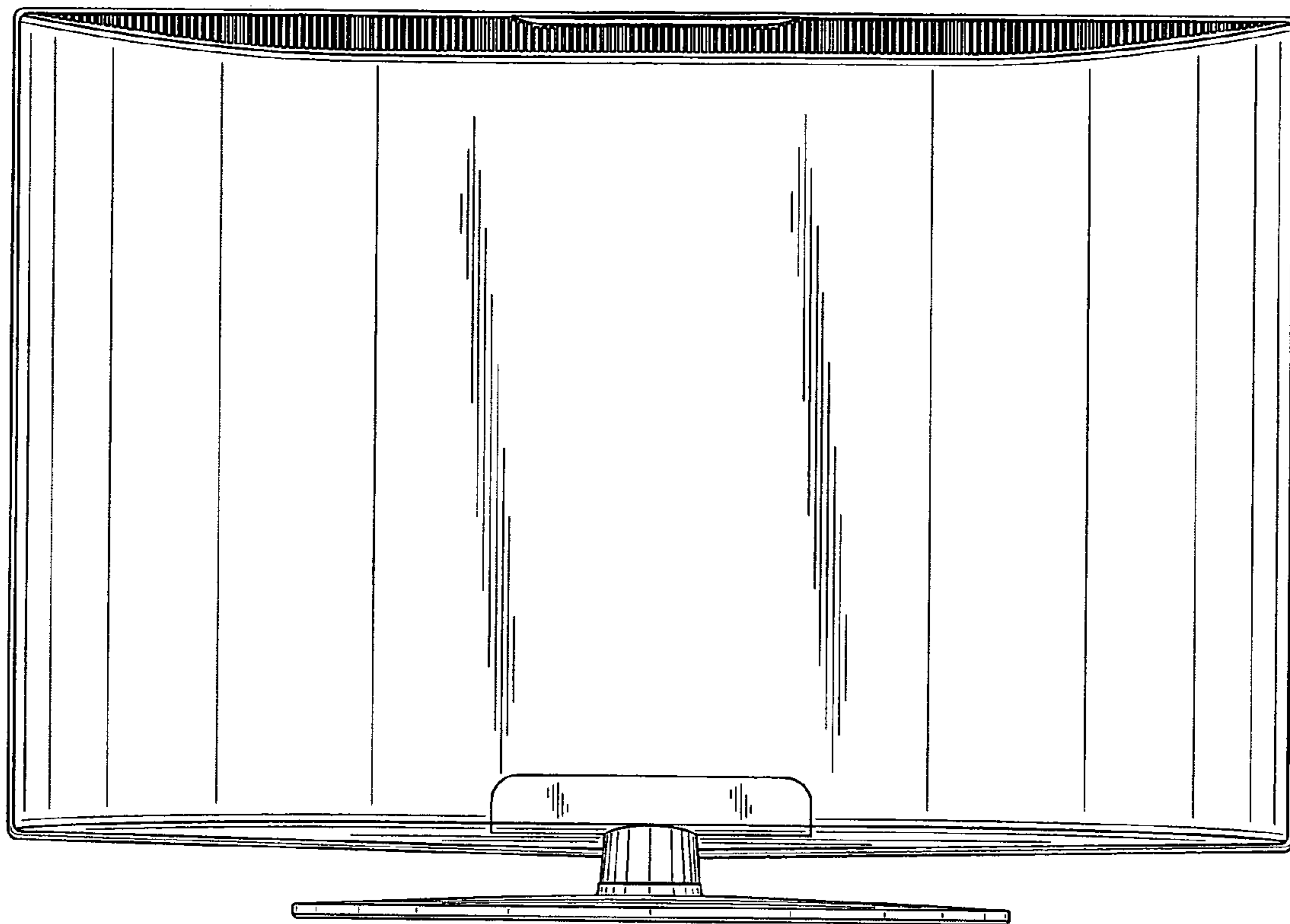
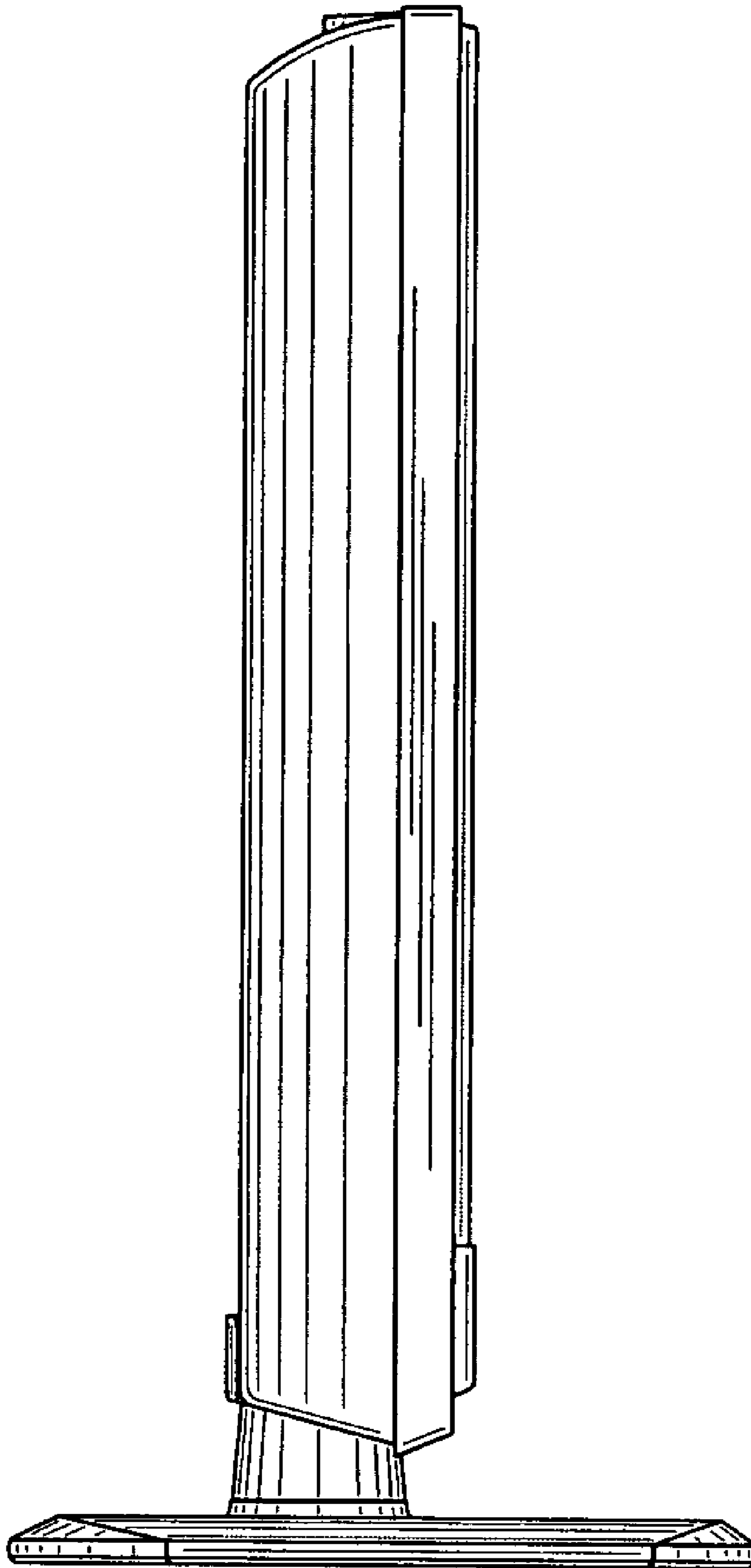
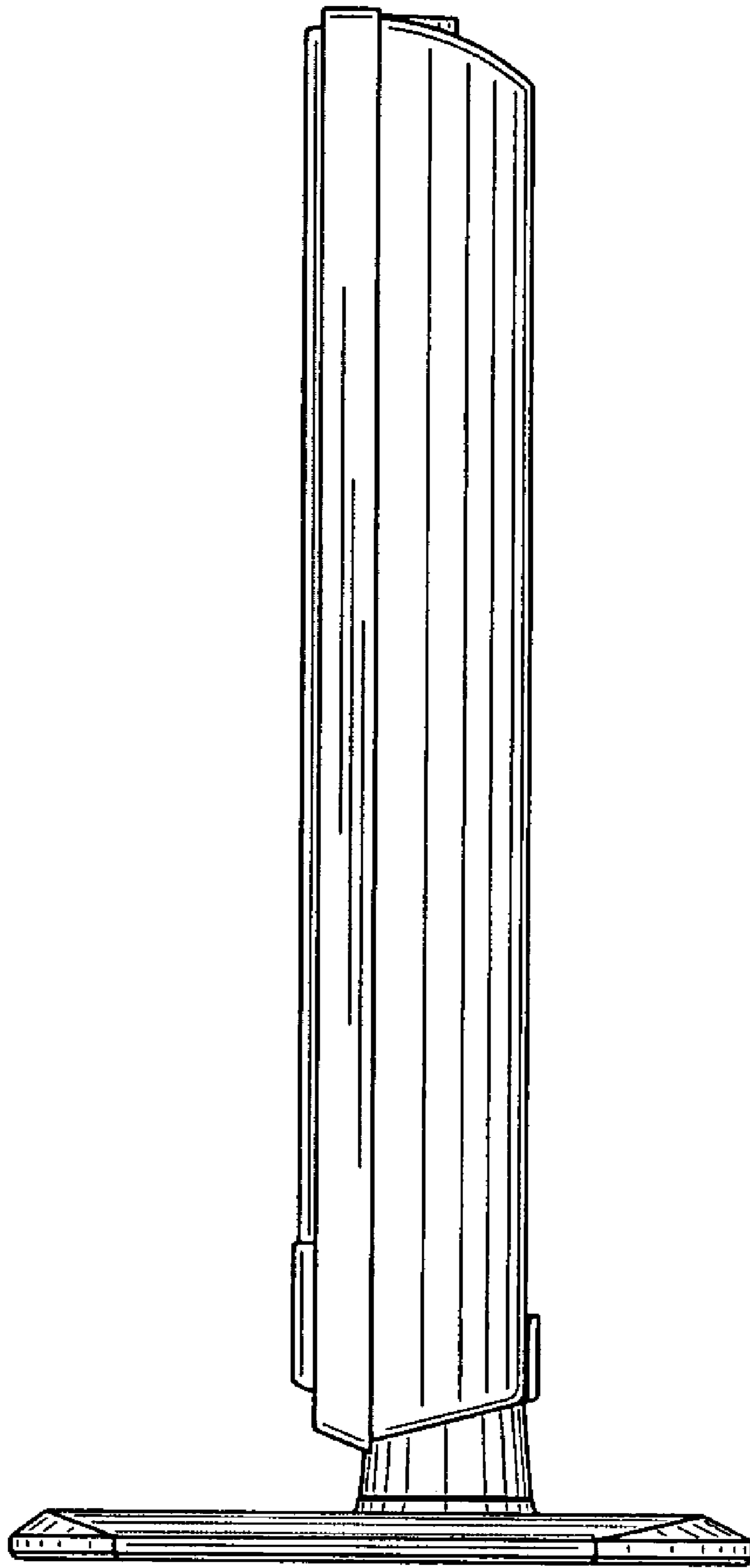


FIG. 3



*FIG. 4*



*FIG. 5*

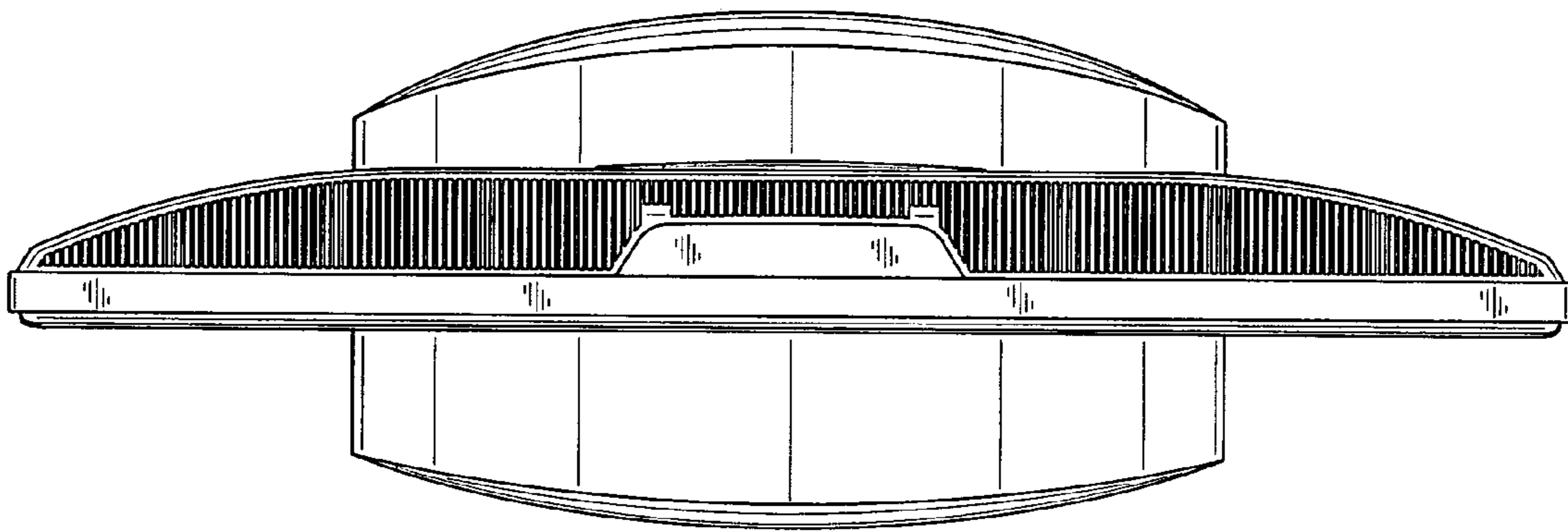
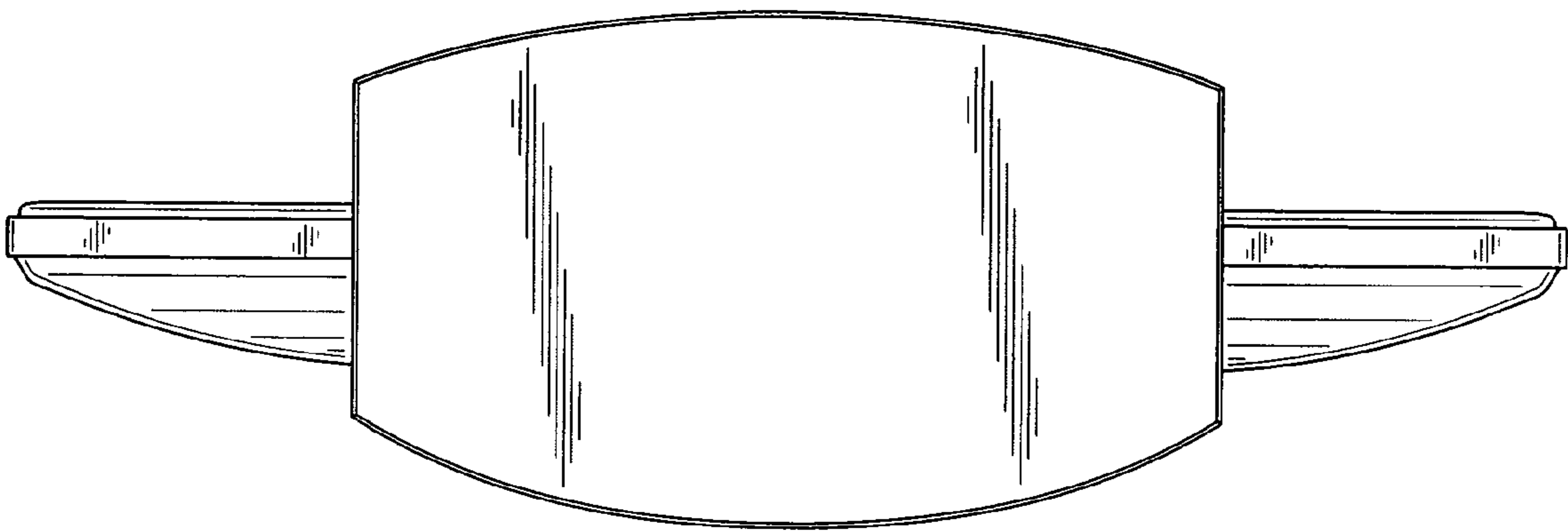


FIG. 6



*FIG. 7*