



US00D568835S

(12) **United States Design Patent**
Nishida et al.

(10) **Patent No.:** **US D568,835 S**

(45) **Date of Patent:** **** May 13, 2008**

(54) **LIGHT-EMITTING DIODE FOR ILLUMINATING AN OBJECT**

Primary Examiner—Selina Sikder
(74) *Attorney, Agent, or Firm*—Browdy and Neimark

(75) Inventors: **Atsushi Nishida**, Mikata (JP); **Satoru Kikuchi**, Hachiouji (JP)

(57) **CLAIM**

The ornamental design for a light-emitting diode for illuminating an object, as shown and described.

(73) Assignee: **Citizen Electronics Co., Ltd.**, Yamanashi (JP)

(**) Term: **14 Years**

DESCRIPTION

(21) Appl. No.: **29/281,660**

The article is a light-emitting diode for illuminating an object, and it may, for example, be incorporated into a camera or the like and used to illuminate an object when taking a photograph.

(22) Filed: **Jun. 28, 2007**

(30) **Foreign Application Priority Data**

Dec. 28, 2006 (JP) 2006-036109

FIG. 1 is a perspective view of a light-emitting diode for illuminating an object in accordance with the present design, as viewed from above;

(51) **LOC (8) Cl.** **13-03**

(52) **U.S. Cl.** **D13/180**

(58) **Field of Classification Search** D13/180;
D26/2; 257/79, 80, 81, 88, 89, 95, 98, 99,
257/100; 313/483, 498, 500; 362/555, 800
See application file for complete search history.

FIG. 2 is a perspective view thereof as viewed from below;

FIG. 3 is a front view the rear view being a mirror image thereof;

FIG. 4 is a top plan view thereof;

FIG. 5 is a bottom plan view thereof;

(56) **References Cited**

U.S. PATENT DOCUMENTS

- 2004/0046179 A1* 3/2004 Baur et al. 257/98
- 2006/0163602 A1* 7/2006 Isokawa 257/100
- 2006/0198162 A1* 9/2006 Ishidu et al. 362/623
- 2006/0220205 A1* 10/2006 Hongo et al. 257/680

FIG. 6 is a right side view the left side view being a mirror image thereof;

FIG. 7 is a sectional view taken along the 7—7 line in FIG. 3; and,

FIG. 8 is a sectional view taken along the 8—8 line in FIG. 6.

* cited by examiner

1 Claim, 5 Drawing Sheets

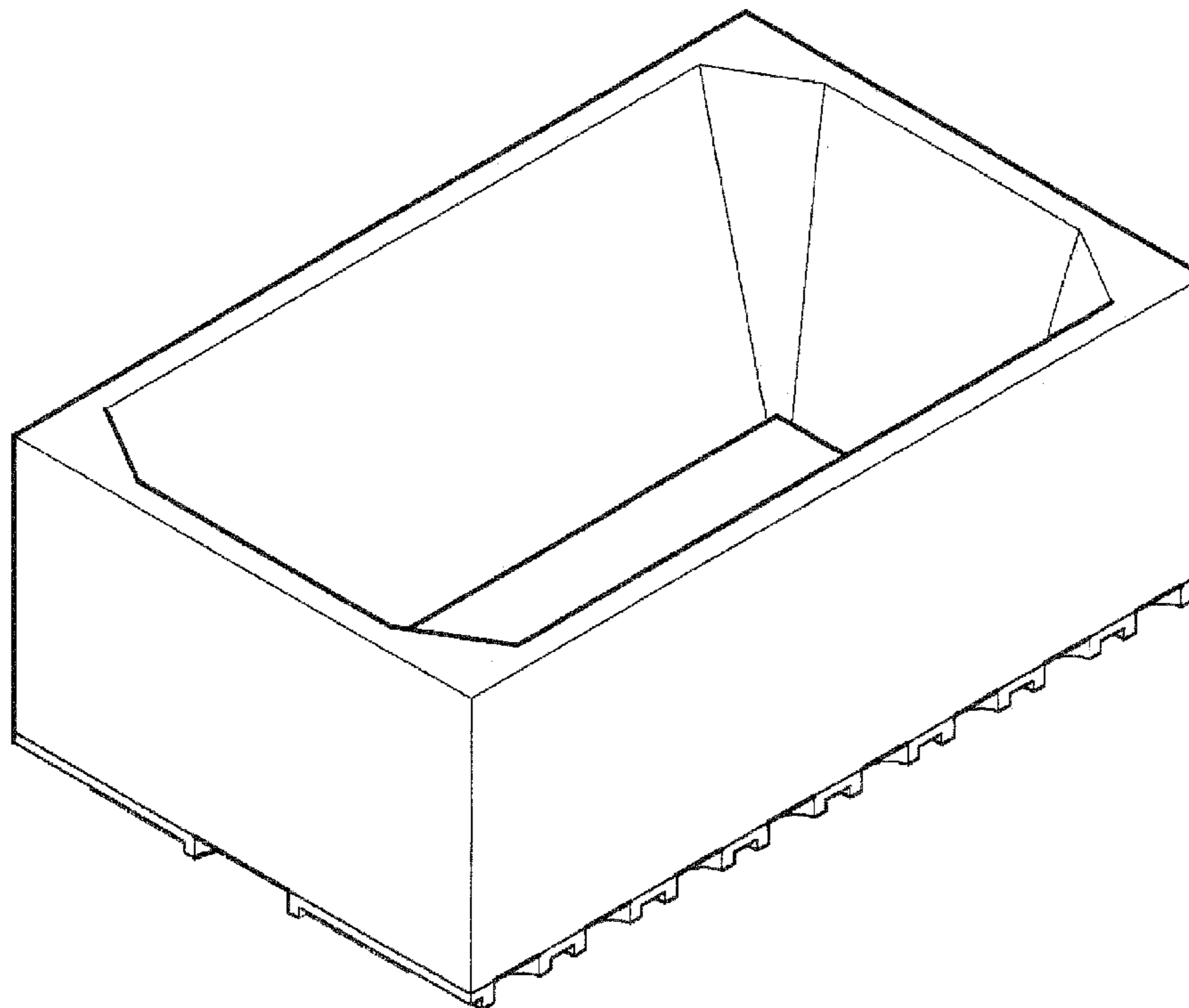


Fig. 1

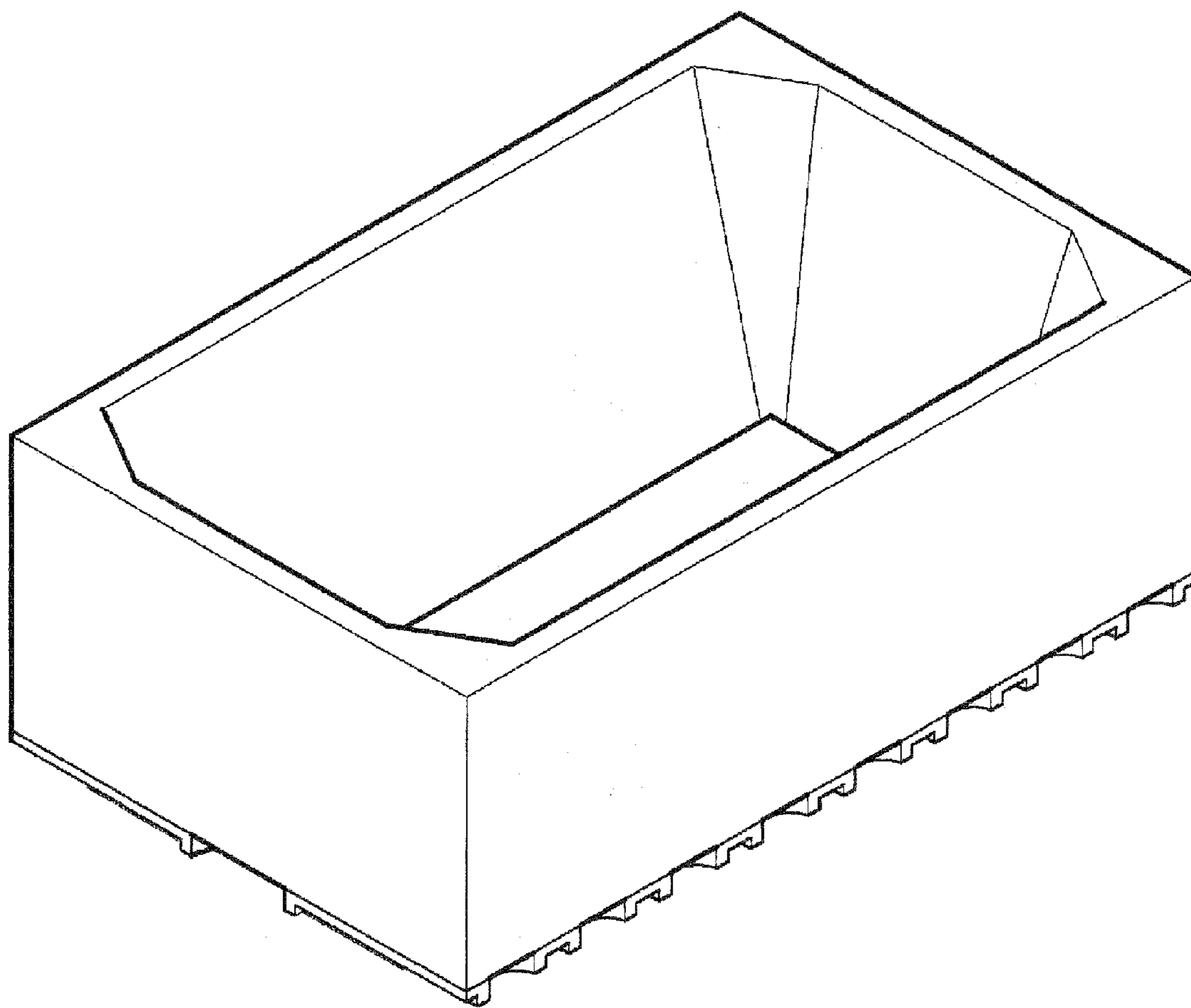


Fig. 2

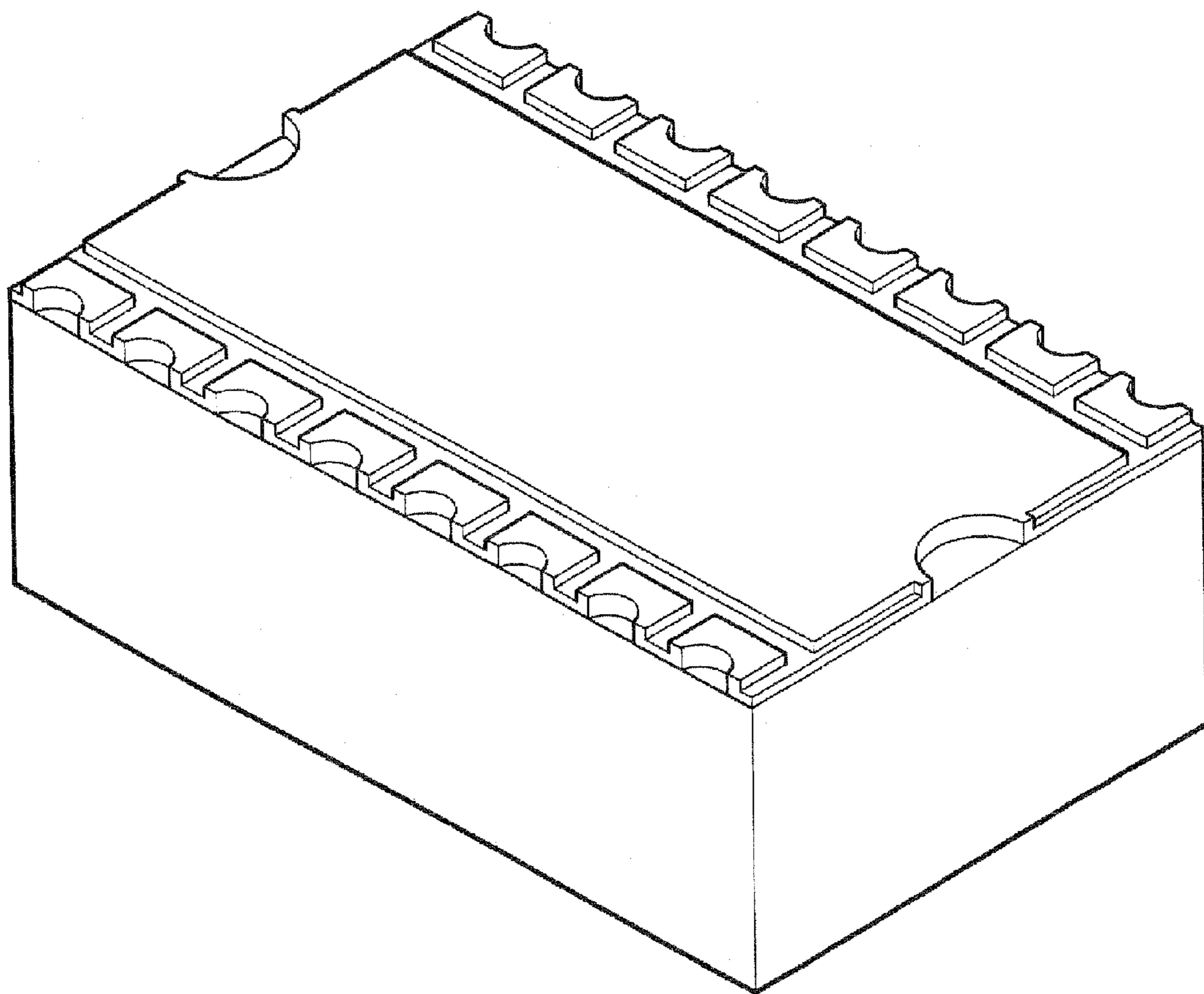


Fig. 3

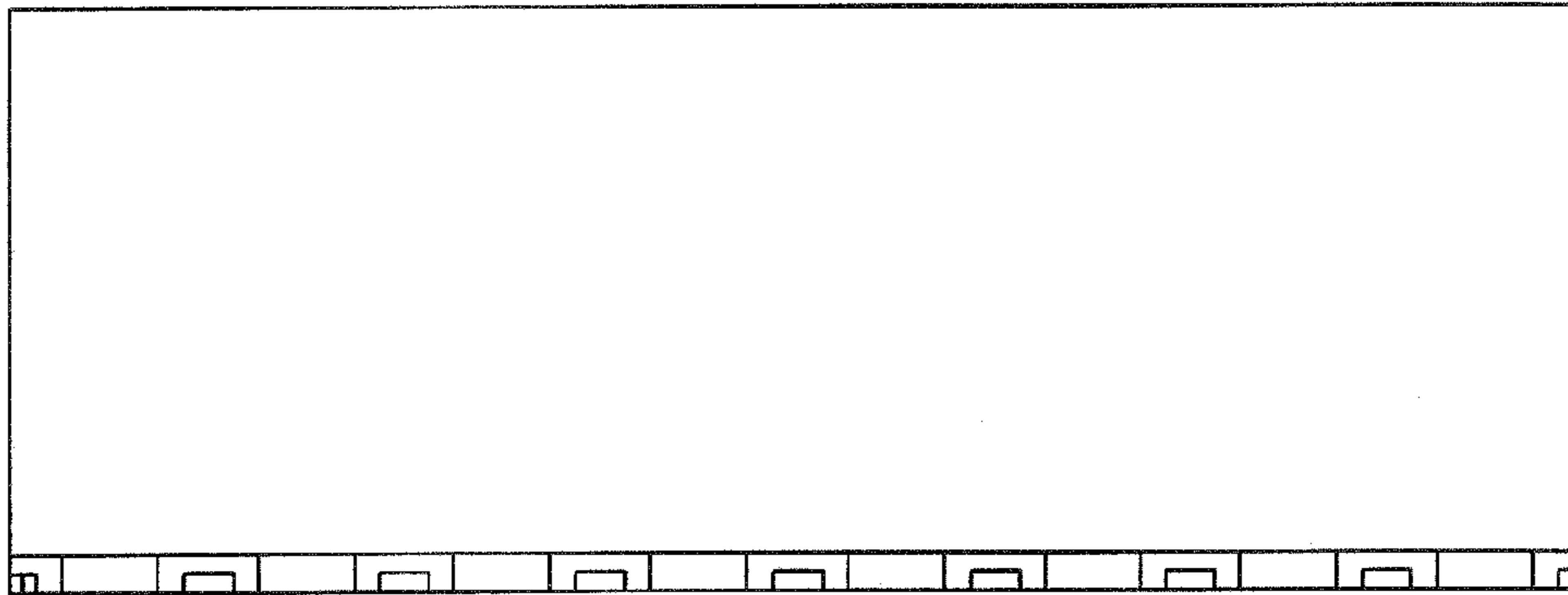


Fig. 4

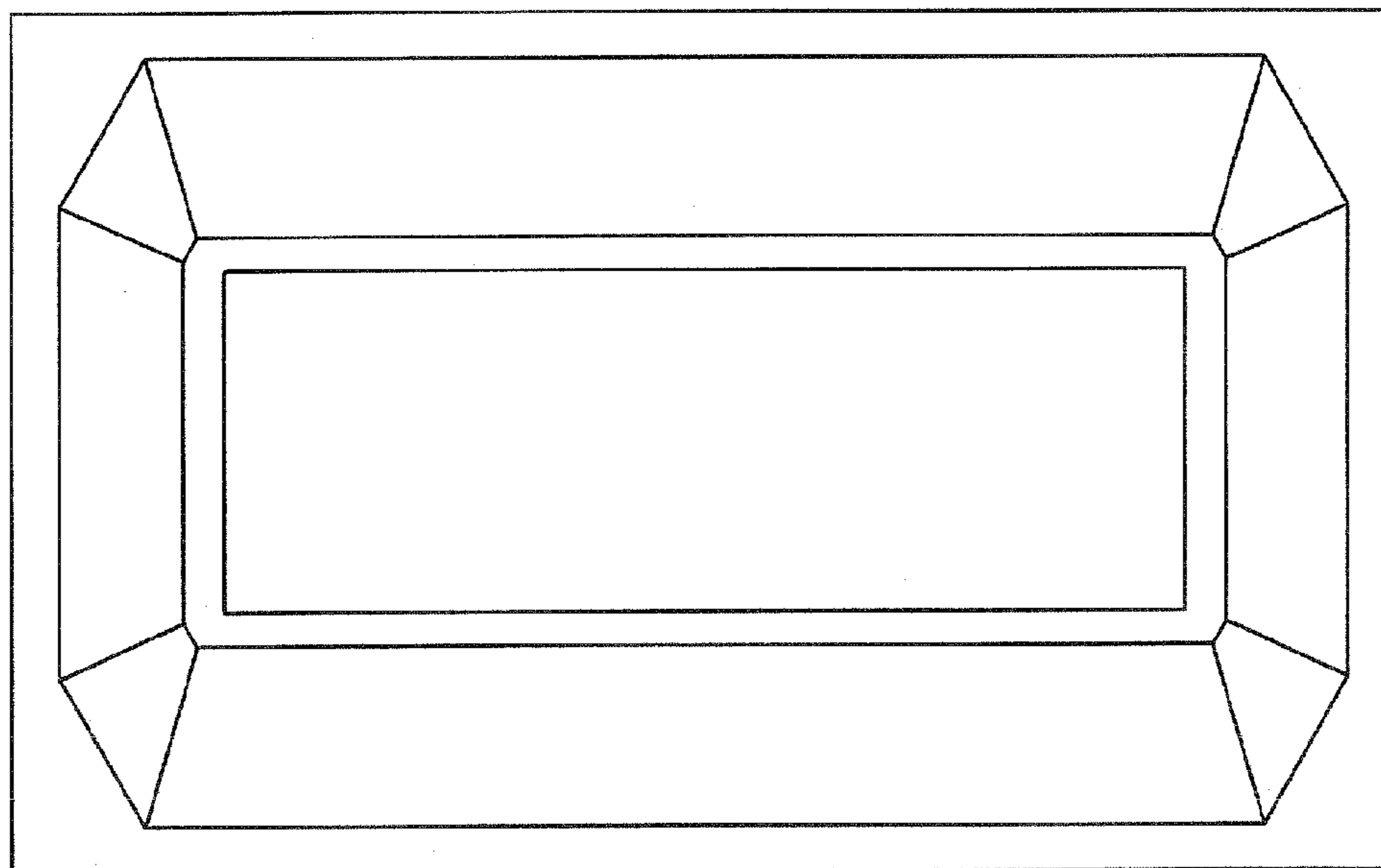


Fig. 5

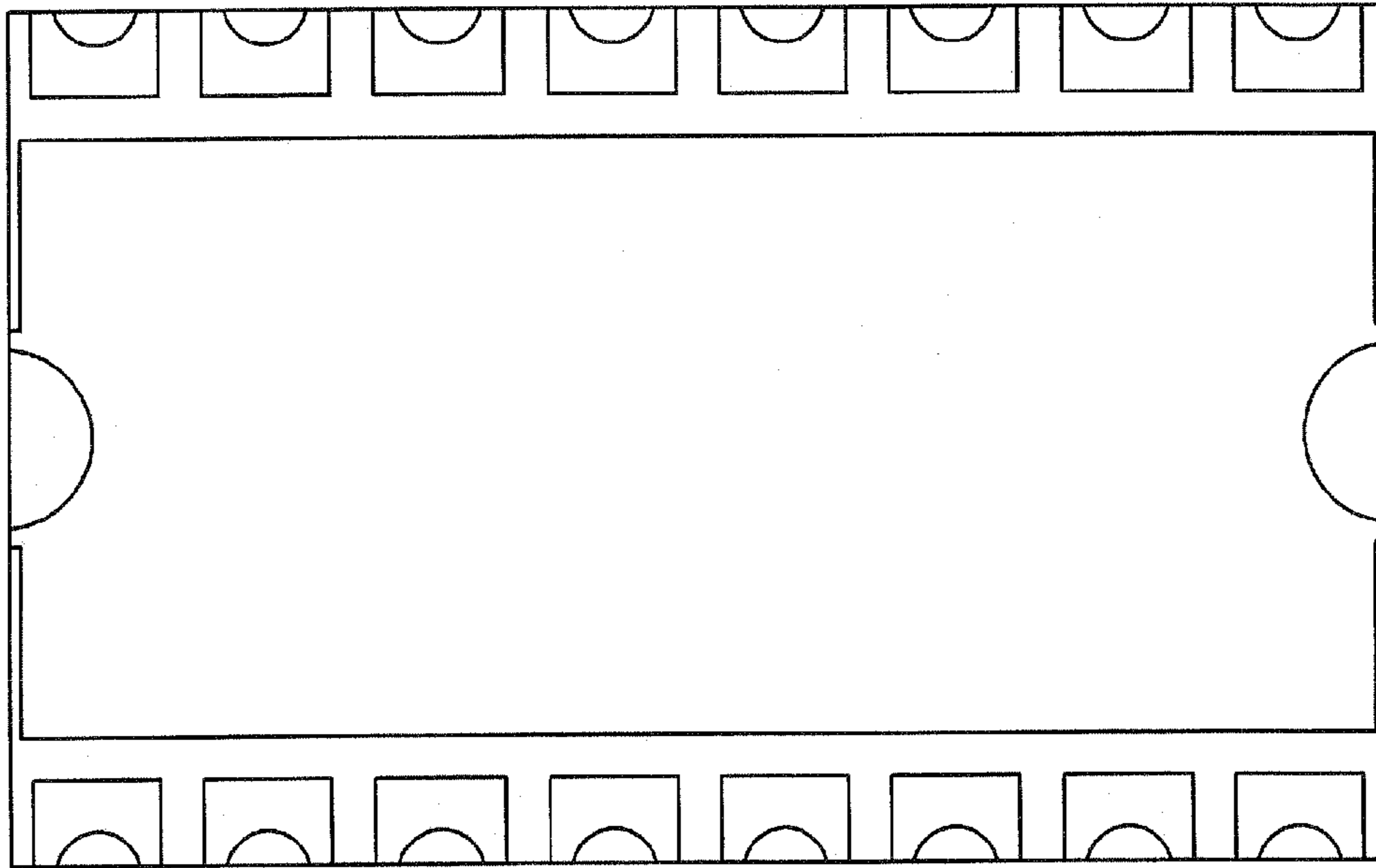


Fig. 6

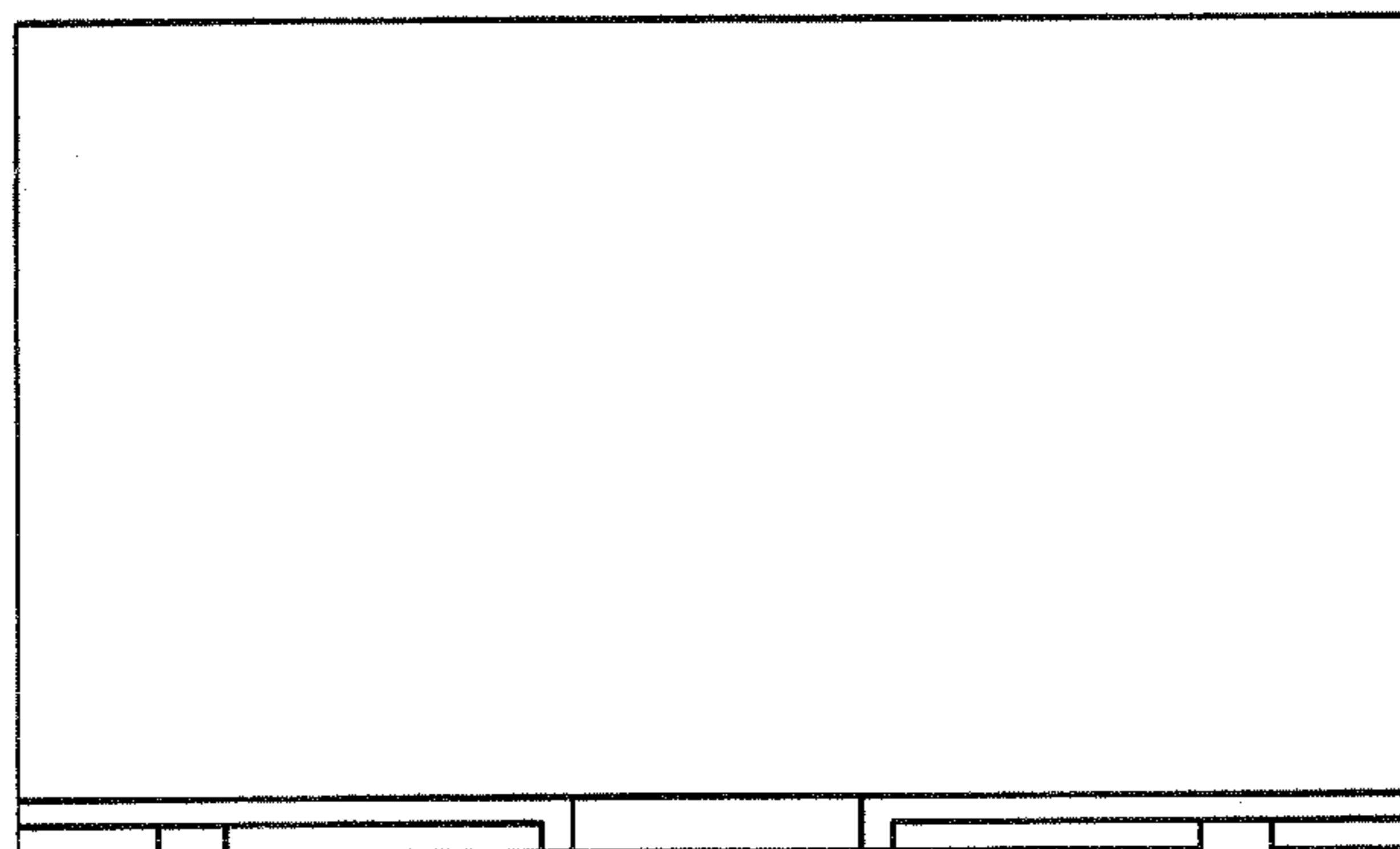


Fig. 7

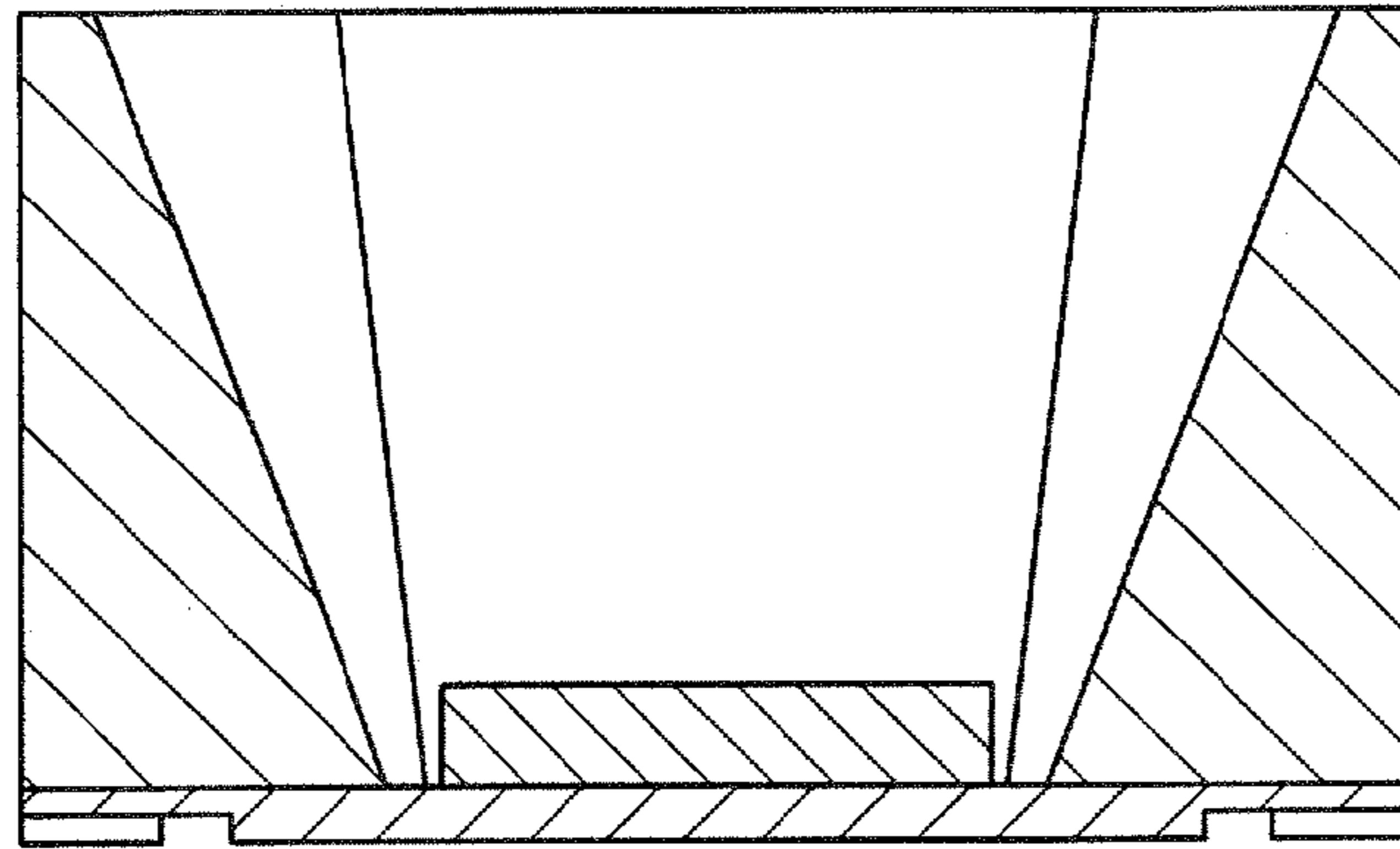


Fig. 8

