

US00D568832S

(12) **United States Design Patent**  
**Kang et al.**

(10) **Patent No.:** **US D568,832 S**

(45) **Date of Patent:** **\*\* May 13, 2008**

(54) **LIGHT EMITTING DIODE (LED)**  
(75) Inventors: **Seok Jin Kang**, Seoul (KR);  
**Do-Hyung Kim**, Gyeonggi-do (KR);  
**Jung-Hoo Seo**, Gyeonggi-do (KR)

D509,489 S \* 9/2005 Kamada ..... D13/180  
D534,503 S \* 1/2007 Jung et al. .... D13/180  
D534,504 S \* 1/2007 Kim et al. .... D13/180  
D534,877 S \* 1/2007 Kamada ..... D13/180  
7,170,151 B2 \* 1/2007 Elpedes et al. .... 257/676

(73) Assignee: **Seoul Semiconductor Co., Ltd.**, Seoul (KR)

\* cited by examiner

(\*\*) Term: **14 Years**

*Primary Examiner*—Selina Sikder

(21) Appl. No.: **29/279,428**

(74) *Attorney, Agent, or Firm*—Marger Johnson & McCollom PC

(22) Filed: **Apr. 30, 2007**

(30) **Foreign Application Priority Data**

Oct. 30, 2006 (KR) ..... 30-2006-0043277

(57) **CLAIM**

The ornamental design for light emitting diode (LED), as shown and described.

(51) **LOC (8) Cl.** ..... **13-03**

(52) **U.S. Cl.** ..... **D13/180**

(58) **Field of Classification Search** ..... D13/180;  
D26/2; 257/79, 80, 81, 88, 89, 95, 98, 99,  
257/100; 313/483, 498, 500; 362/555, 800  
See application file for complete search history.

**DESCRIPTION**

FIG. 1 is a perspective view of light emitting diode (LED), showing my new design;

FIG. 2 is a front elevation view thereof;

FIG. 3 is a rear elevation view thereof;

FIG. 4 is a left side elevation view thereof;

FIG. 5 is a right side elevation view thereof;

FIG. 6 is a top plan view thereof;

FIG. 7 is a bottom plan view thereof; and,

FIG. 8 is a sectional view taken along line 8—8 in FIG. 6.

(56) **References Cited**

**U.S. PATENT DOCUMENTS**

6,061,160 A \* 5/2000 Maruyama ..... 398/201  
6,274,924 B1 \* 8/2001 Carey et al. .... 257/676  
D477,580 S \* 7/2003 Kamada ..... D13/182

**1 Claim, 4 Drawing Sheets**

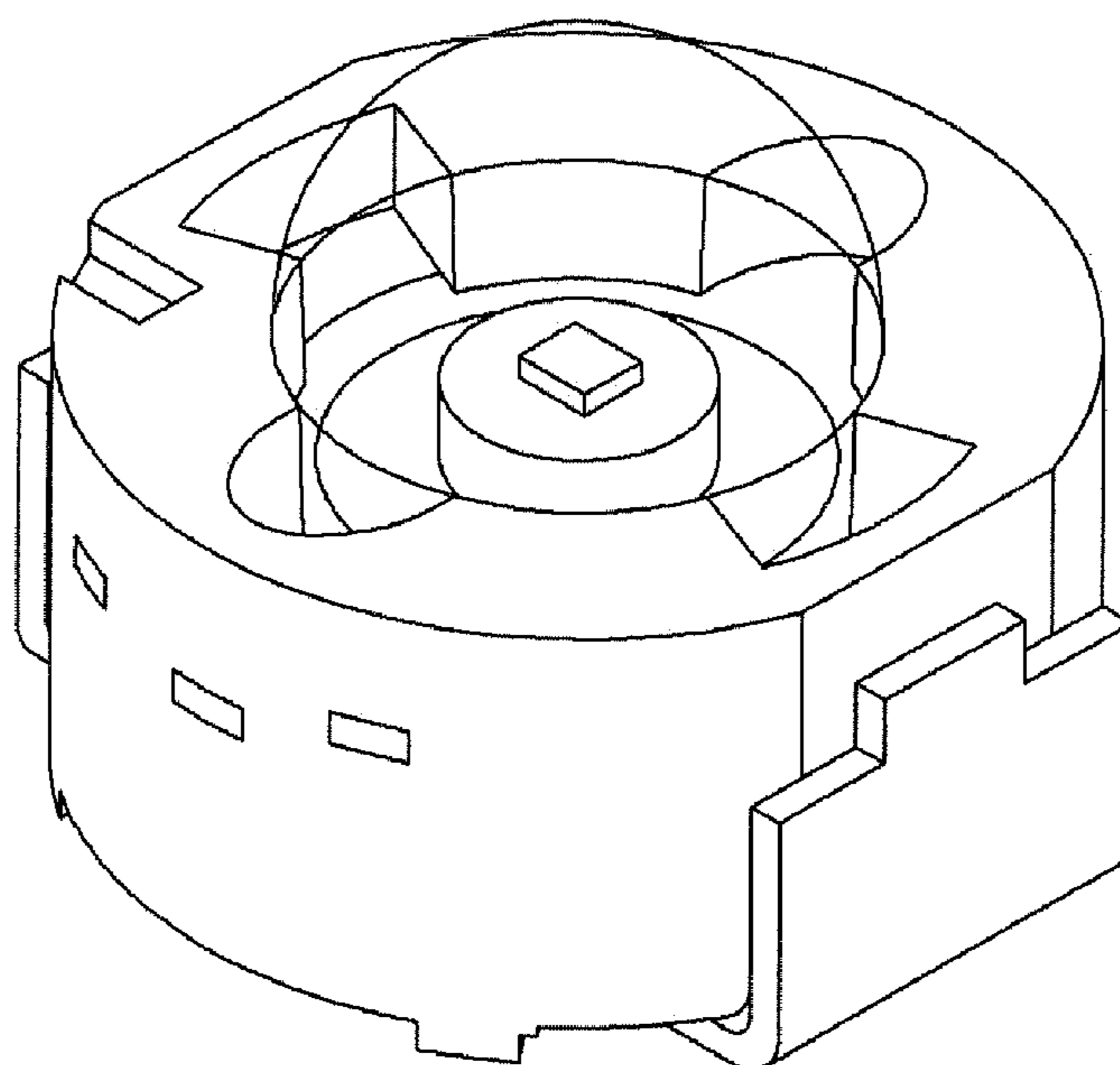


FIG. 1

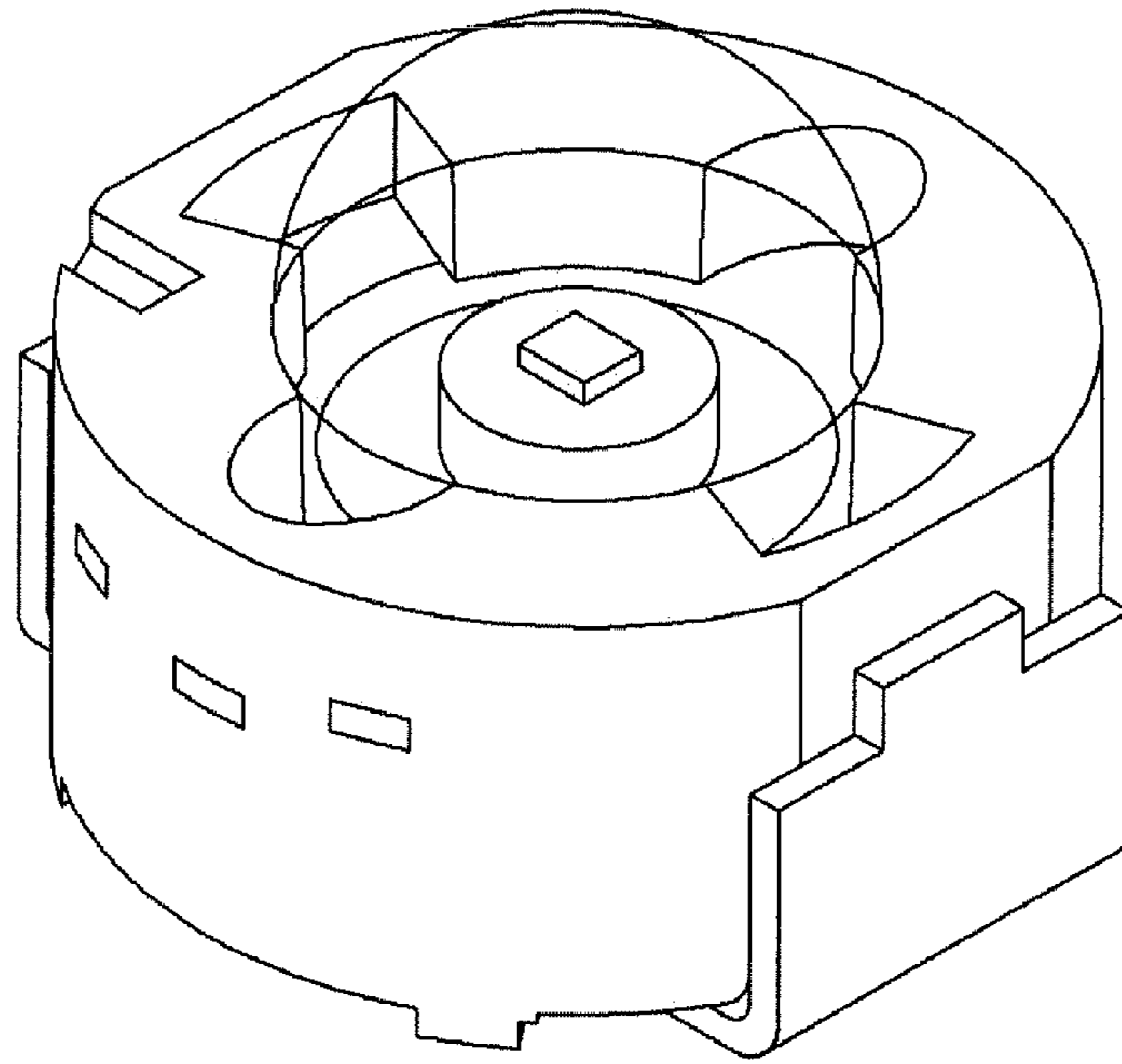


FIG. 2

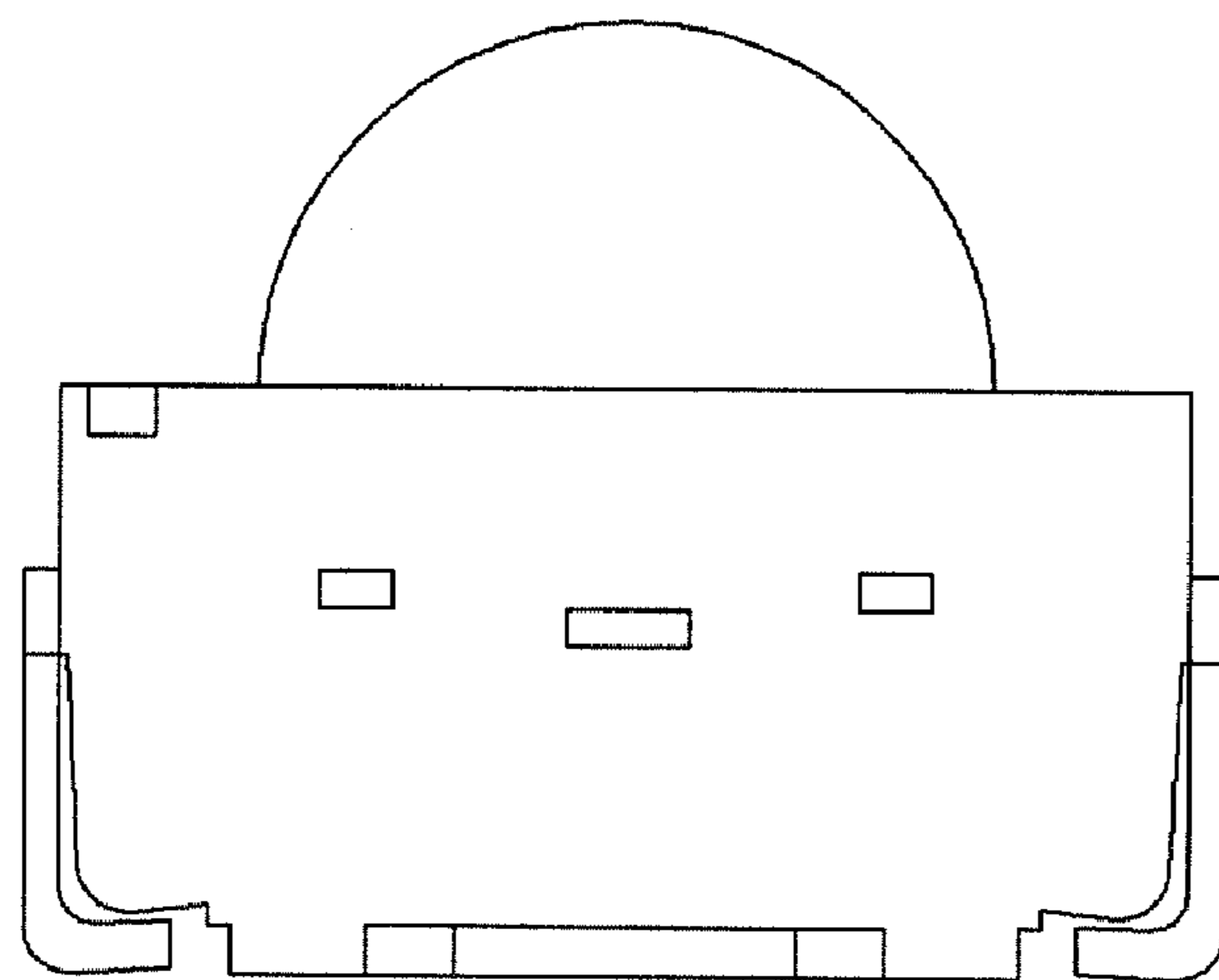


FIG. 3

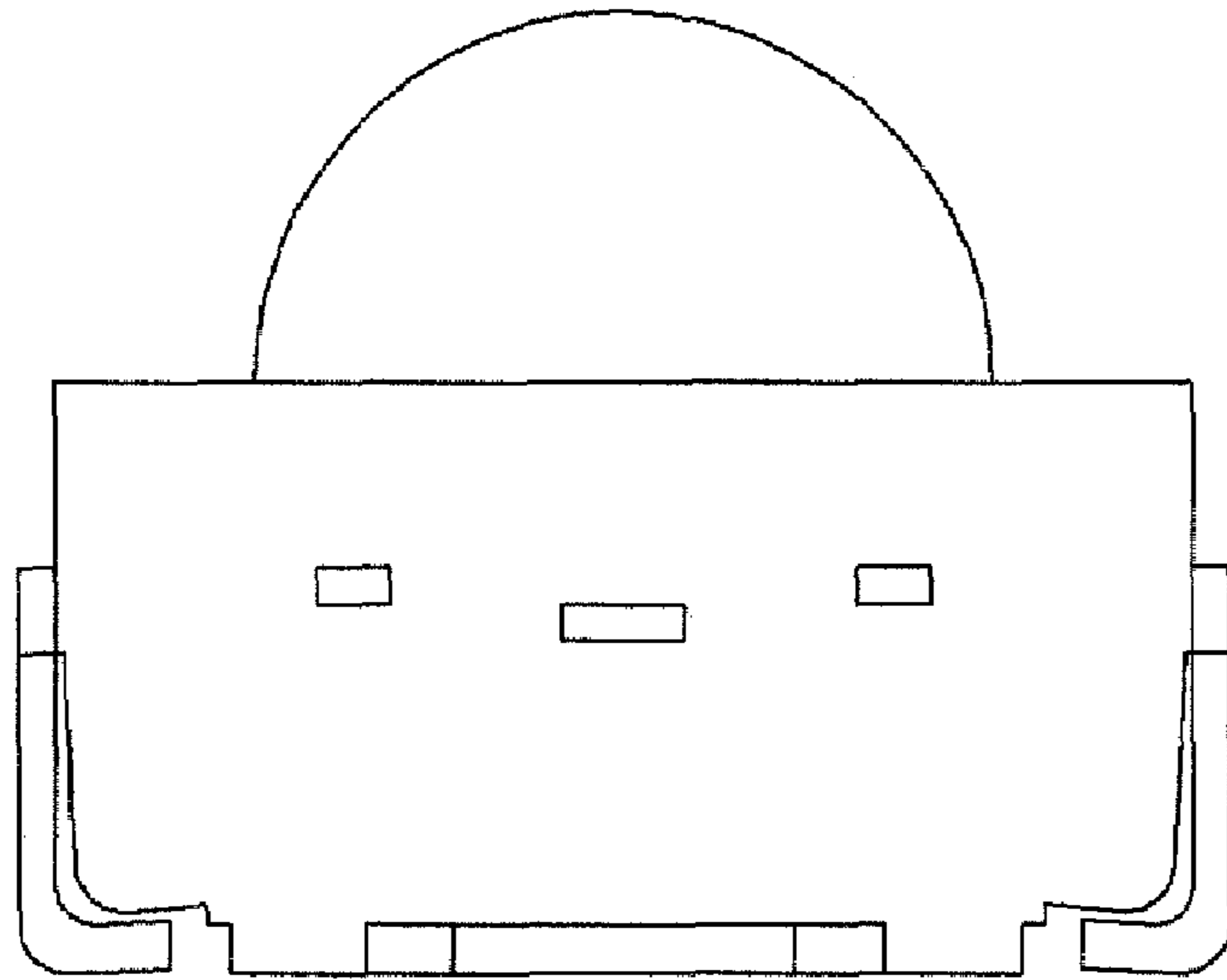


FIG. 4

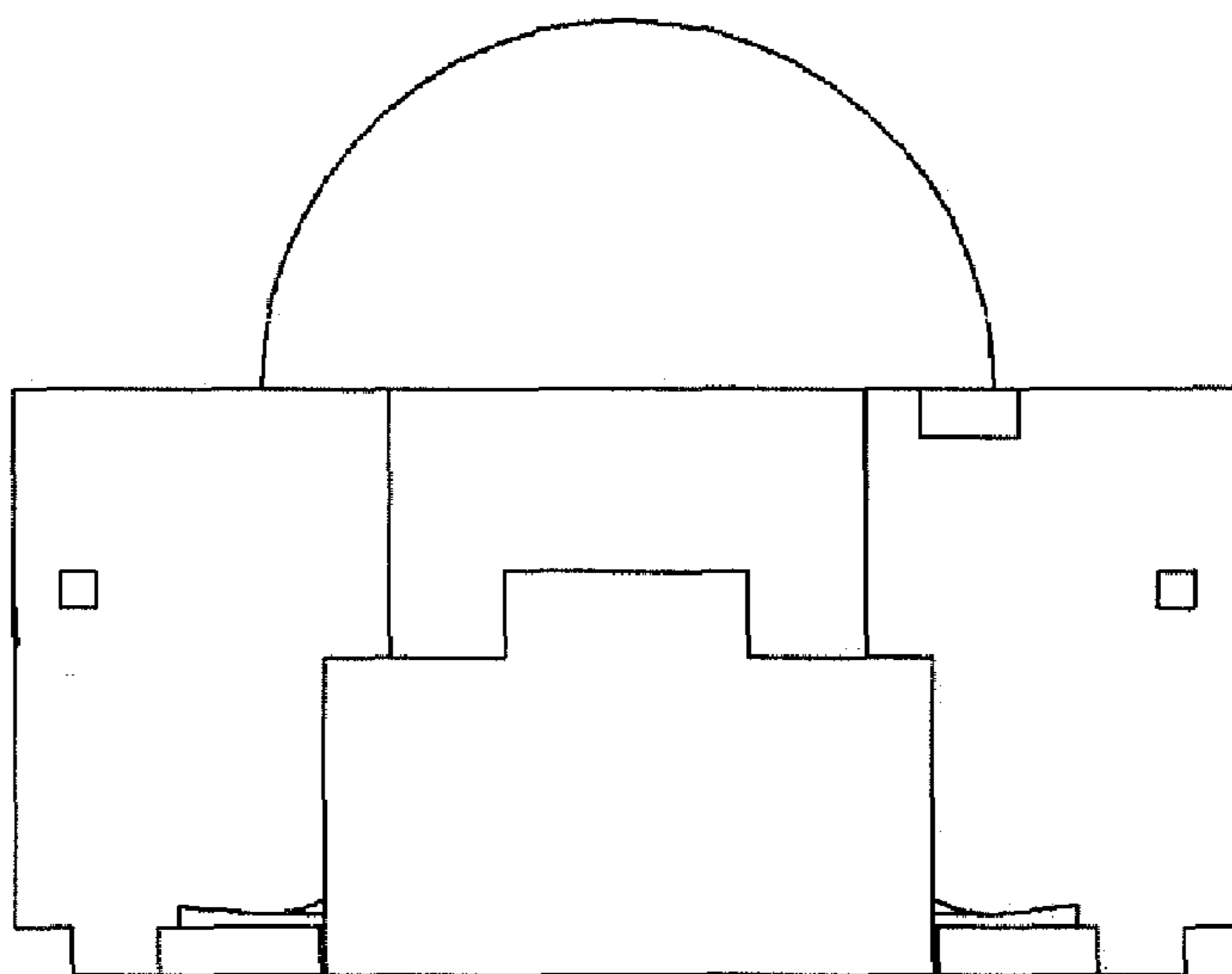


FIG. 5

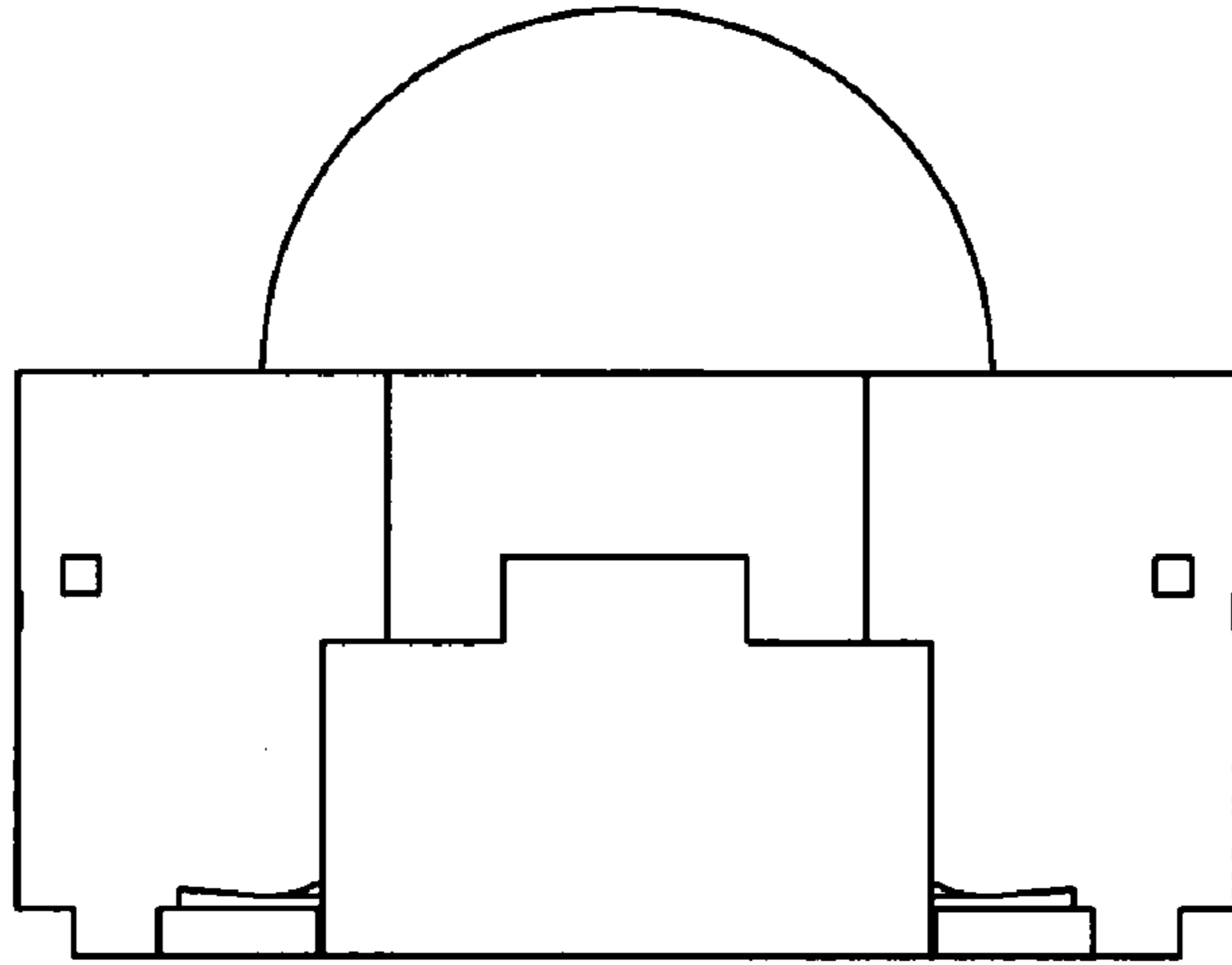


FIG. 6

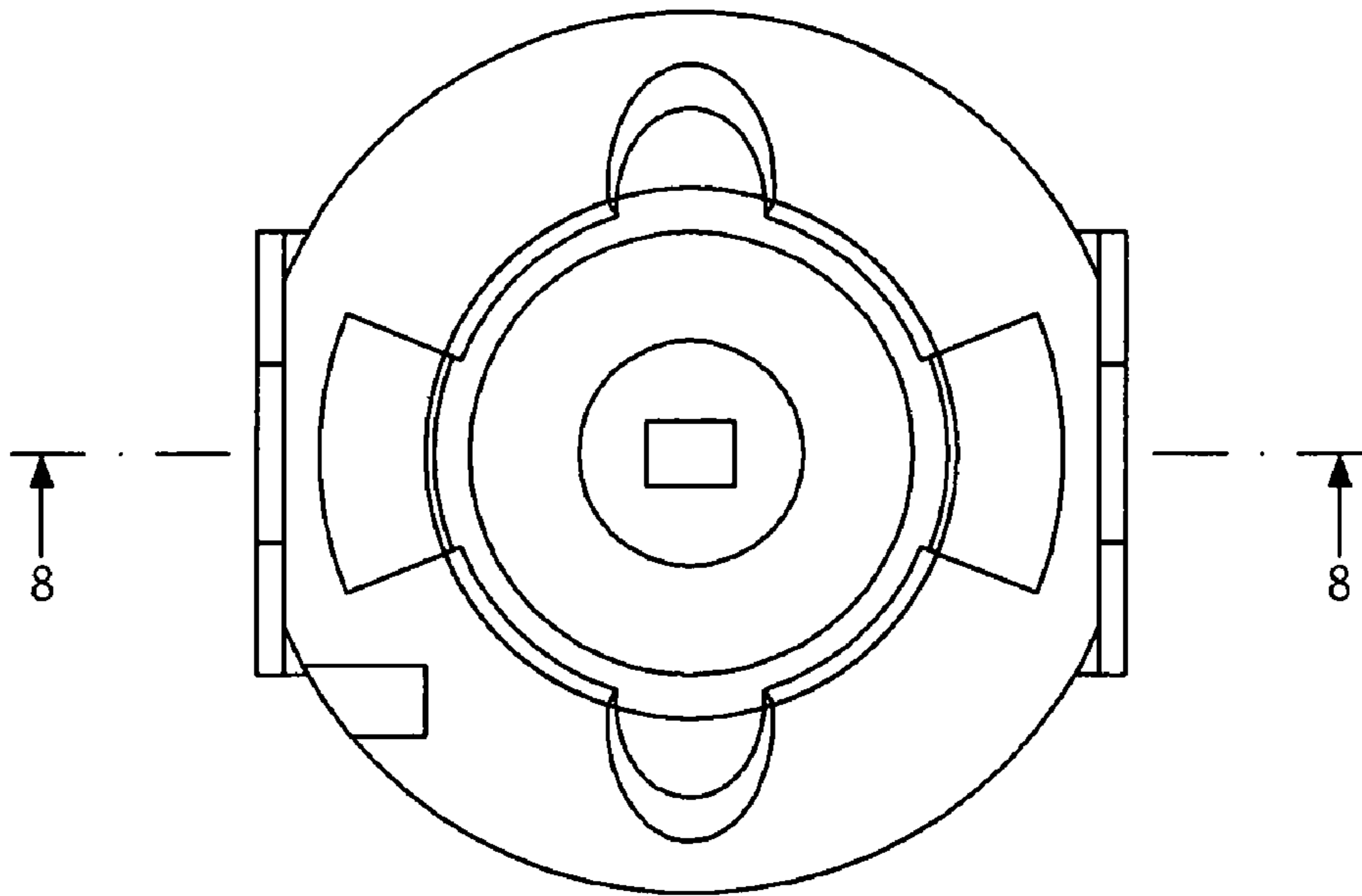


FIG. 7

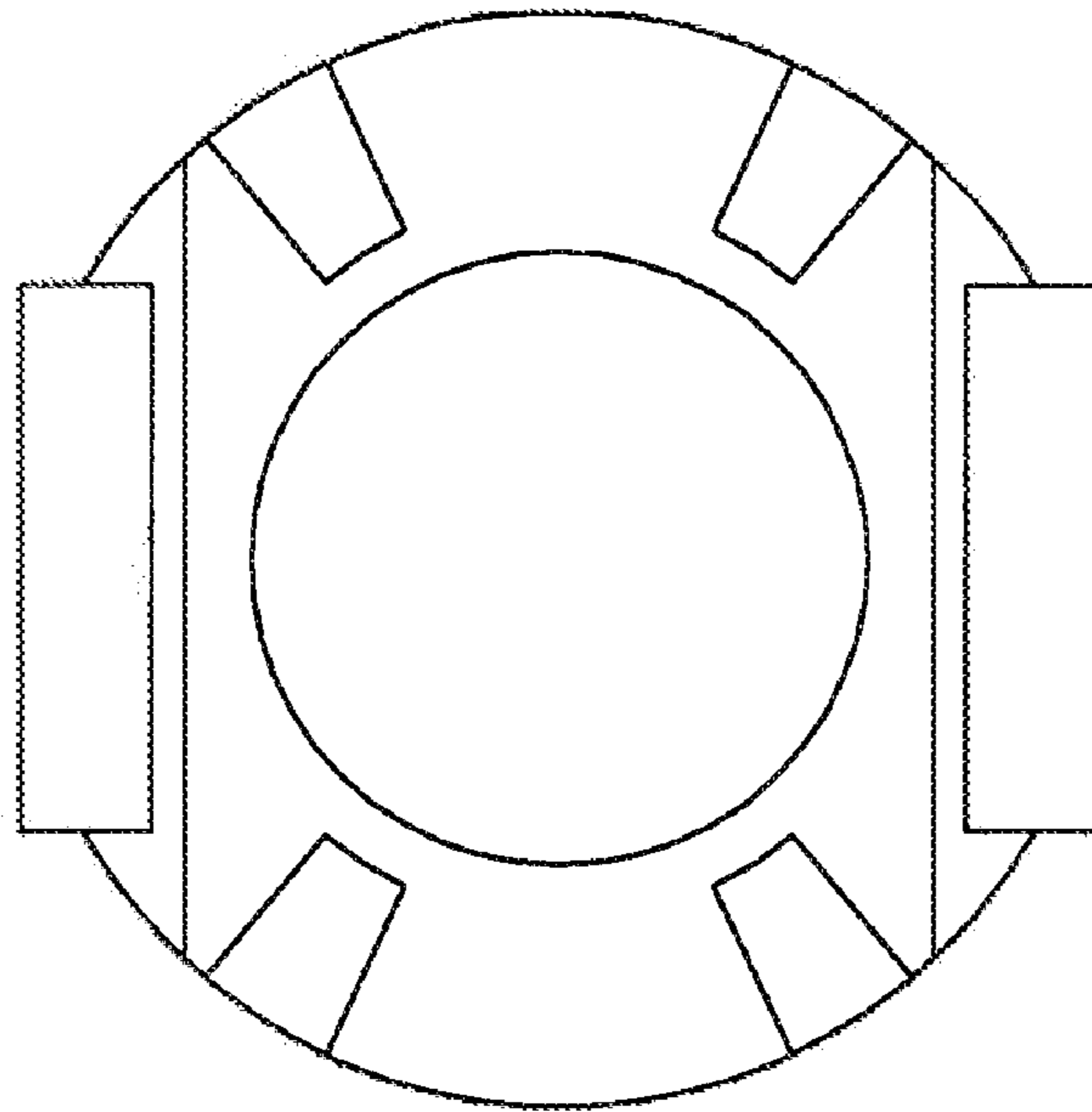


FIG. 8

