



US00D568831S

(12) **United States Design Patent** (10) **Patent No.:** **US D568,831 S**
Kim (45) **Date of Patent:** **** May 13, 2008**

(54) **LIGHT EMITTING DIODE PACKAGE**

(75) Inventor: **Dong-Sel Kim**, Suwon-si (KR)

(73) Assignee: **Alti-Electronics Co., Ltd.**,
Gyeonggi-do (KR)

(**) Term: **14 Years**

(21) Appl. No.: **29/278,382**

(22) Filed: **Mar. 28, 2007**

(30) **Foreign Application Priority Data**

Oct. 14, 2006 (KR) 30-2006-0041329

(51) **LOC (8) Cl.** **13-03**

(52) **U.S. Cl.** **D13/180**

(58) **Field of Classification Search** D13/180;
D26/2; 257/79, 80, 81, 88, 89, 95, 98, 99,
257/100; 313/483, 498, 500; 362/555, 800

See application file for complete search history.

(56) **References Cited**

U.S. PATENT DOCUMENTS

D520,965 S *	5/2006	Omata	D13/180
D528,997 S *	9/2006	Jung et al.	D13/180
D531,140 S *	10/2006	Konno et al.	D13/180
D534,503 S *	1/2007	Jung et al.	D13/180
2004/0201987 A1 *	10/2004	Omata	362/230
2005/0139846 A1 *	6/2005	Park et al.	257/98
2005/0269587 A1 *	12/2005	Loh et al.	257/99
2006/0267036 A1 *	11/2006	Lee et al.	257/98
2007/0075325 A1 *	4/2007	Baek et al.	257/99
2007/0145403 A1 *	6/2007	Tomioka et al.	257/99

* cited by examiner

Primary Examiner—Selina Sikder

(74) *Attorney, Agent, or Firm*—Sughrue Mion, PLLC

(57) **CLAIM**

I claim, the ornamental design for a light emitting diode package, as shown and described.

DESCRIPTION

FIG. 1 is a front perspective view of the light emitting diode package, showing my new design;

FIG. 2 is a front elevational view of the light emitting diode package of FIG. 1;

FIG. 3 is a rear elevational view of the light emitting diode package of FIG. 1;

FIG. 4 is a left side elevational view of the light emitting diode package of FIG. 1;

FIG. 5 is a right side elevational view of the light emitting diode package of FIG. 1;

FIG. 6 is a top plan view of the light emitting diode package of FIG. 1;

FIG. 7 is a bottom plan view of the light emitting diode package of FIG. 1;

FIG. 8 is a front perspective view of the light emitting diode package, in which an LED and a Zener diode are shown in broken lines and form no part of the claimed design; and,

FIG. 9 is a cross-sectional view of the light emitting diode package taken along 9—9 in FIG. 8.

1 Claim, 9 Drawing Sheets

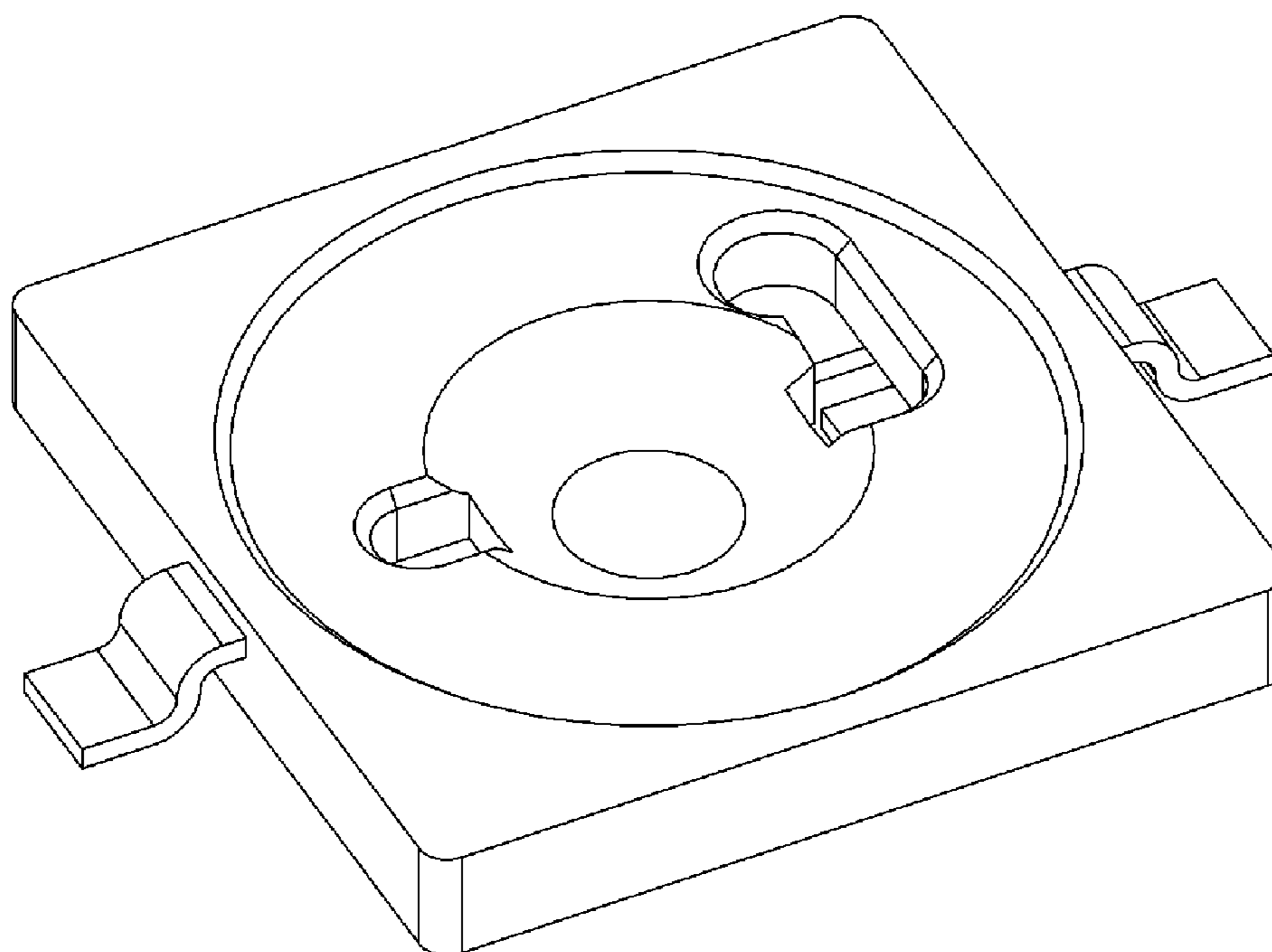


Figure 1

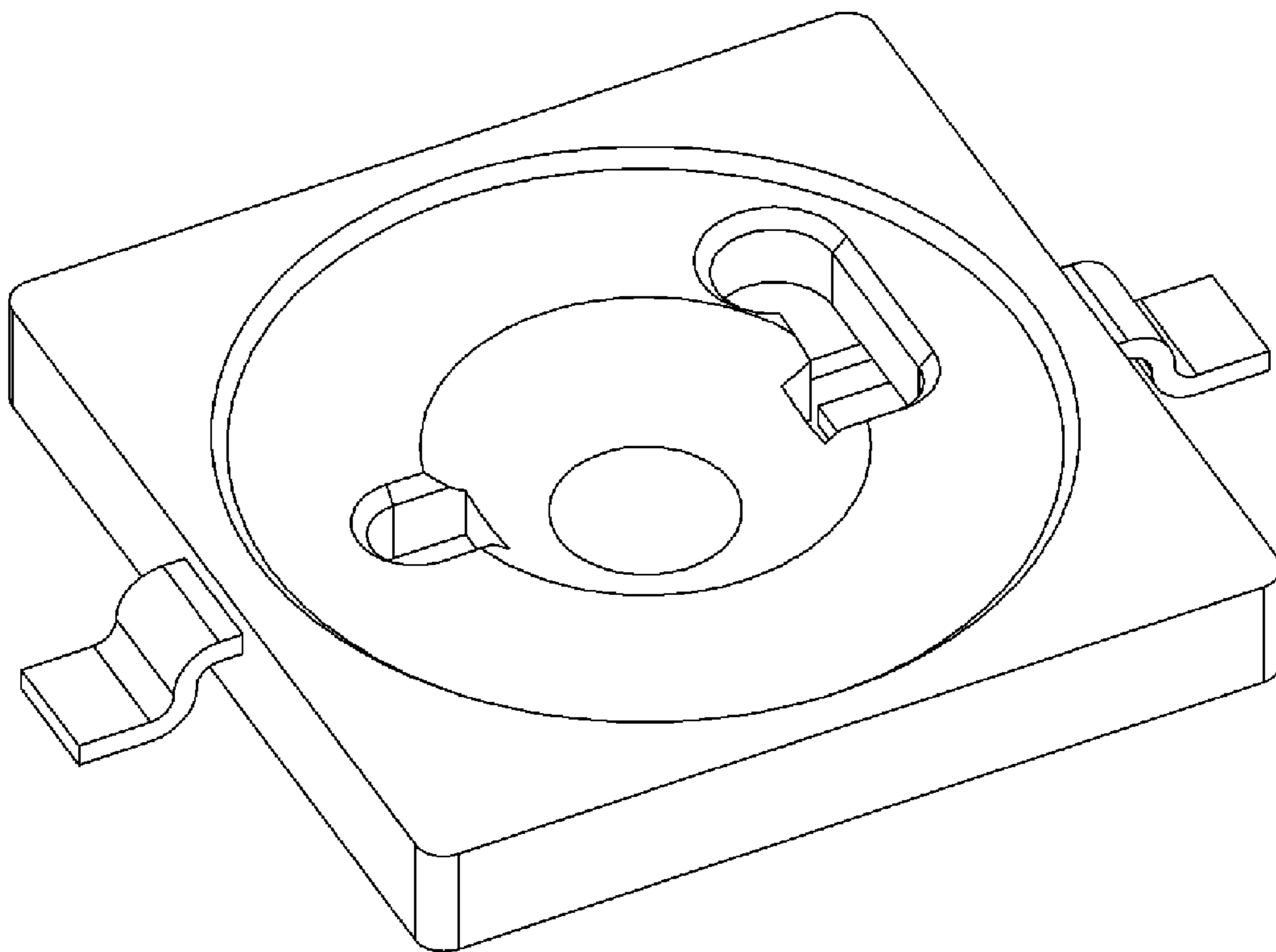


Figure 2

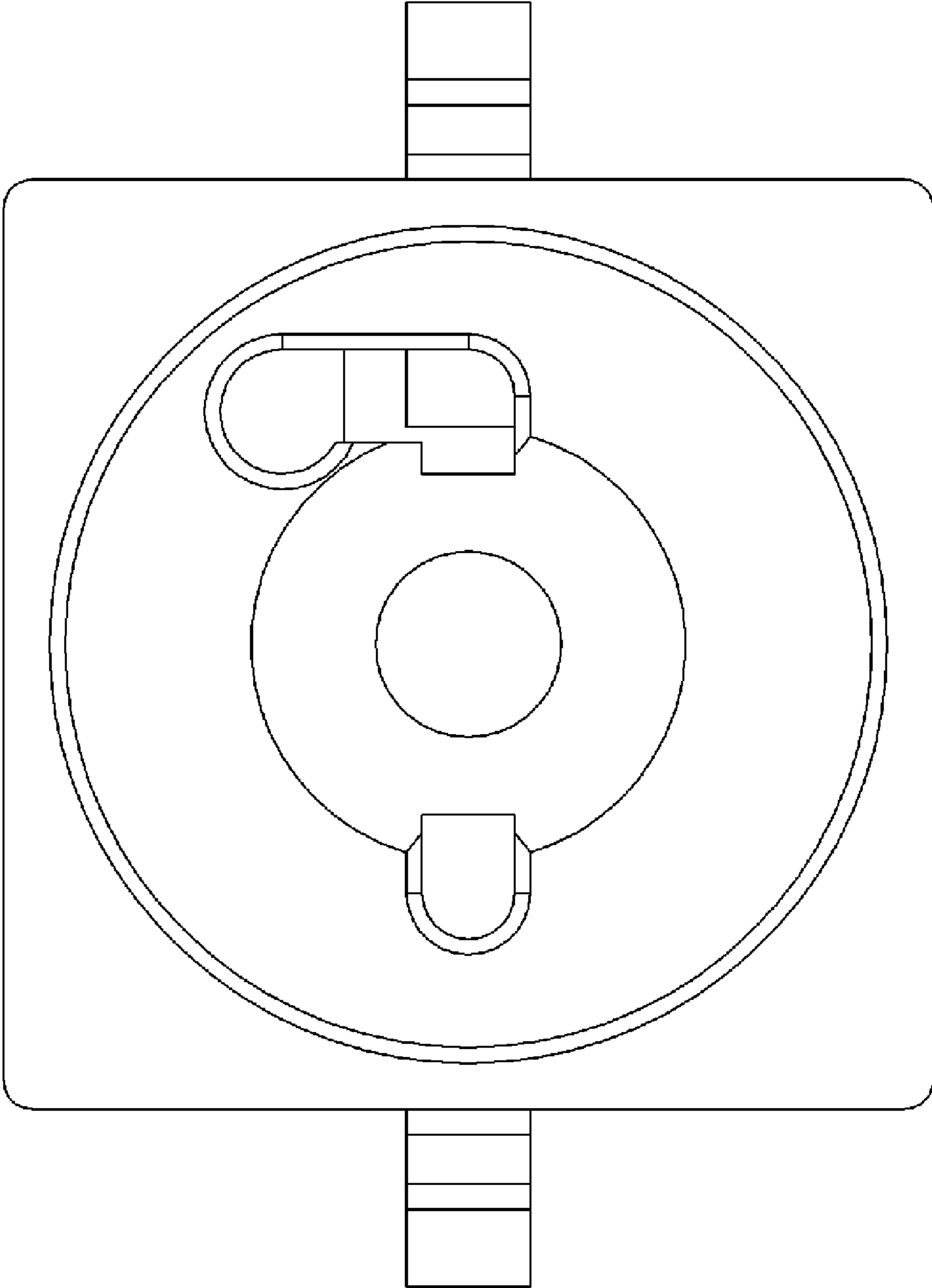


Figure 3

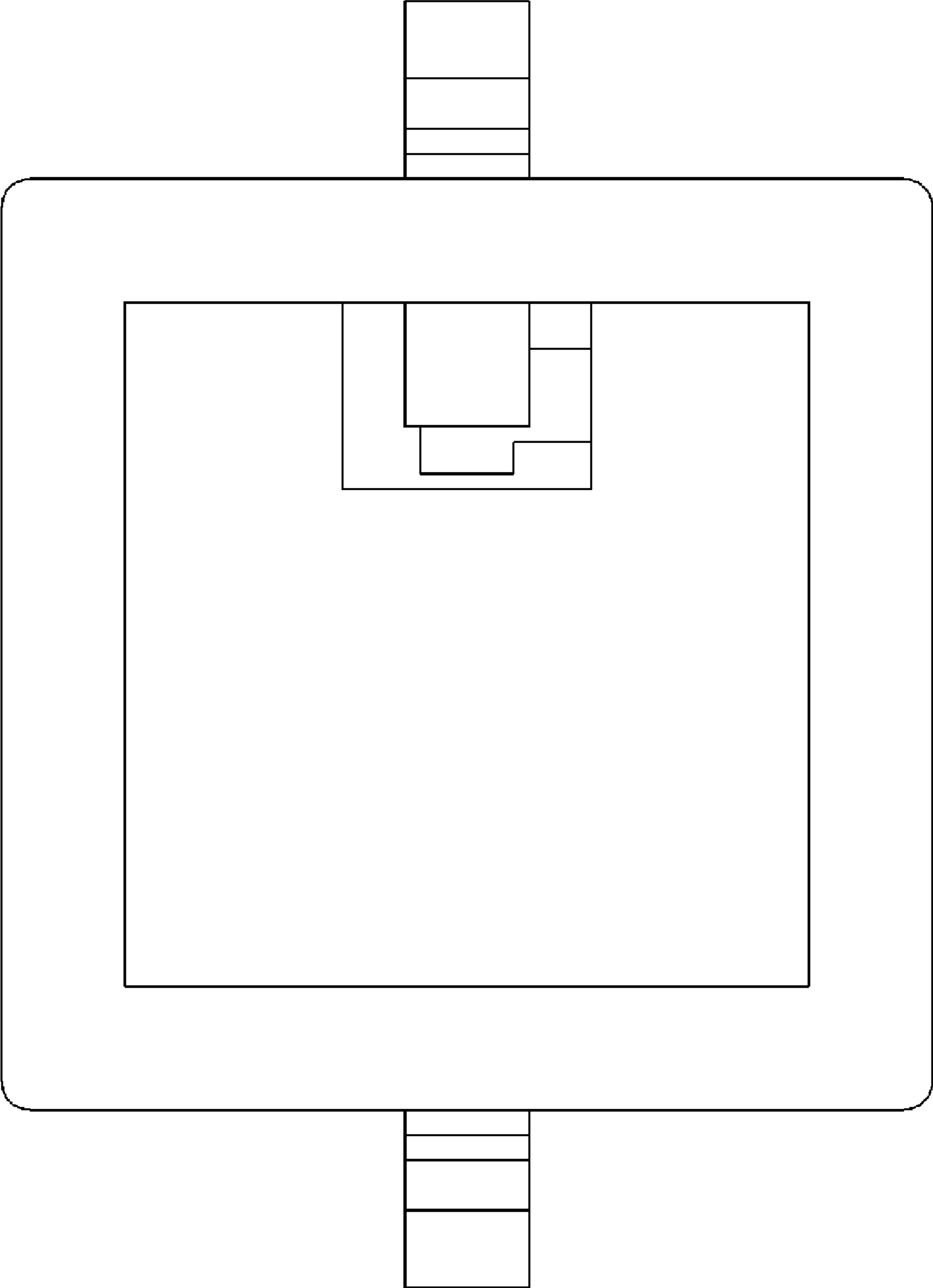


Figure 4

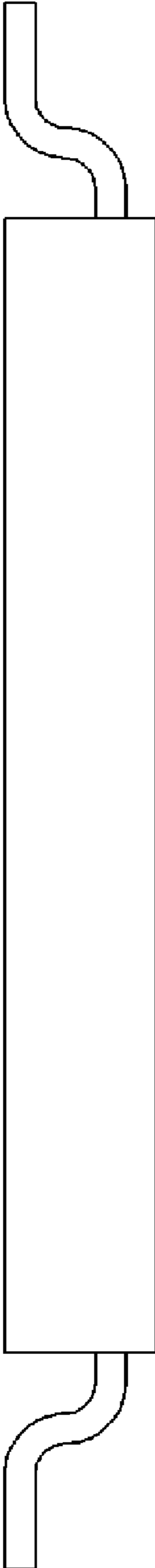


Figure 5

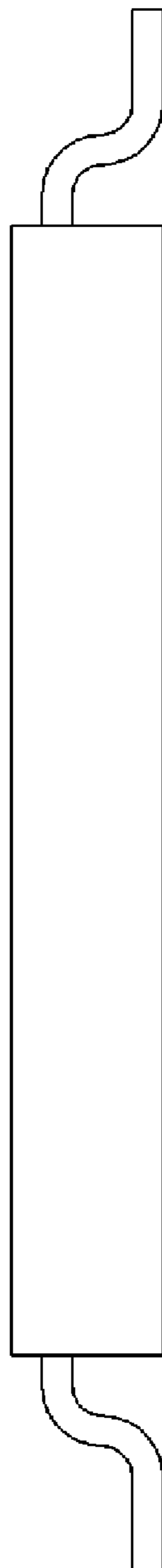


Figure 6

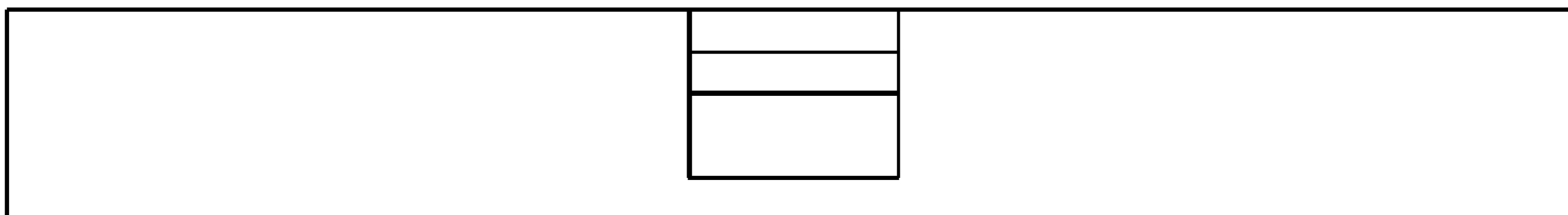


Figure 7

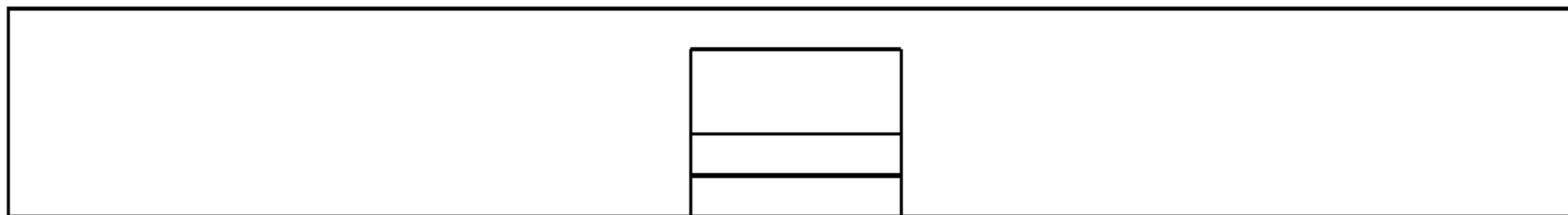


Figure 8

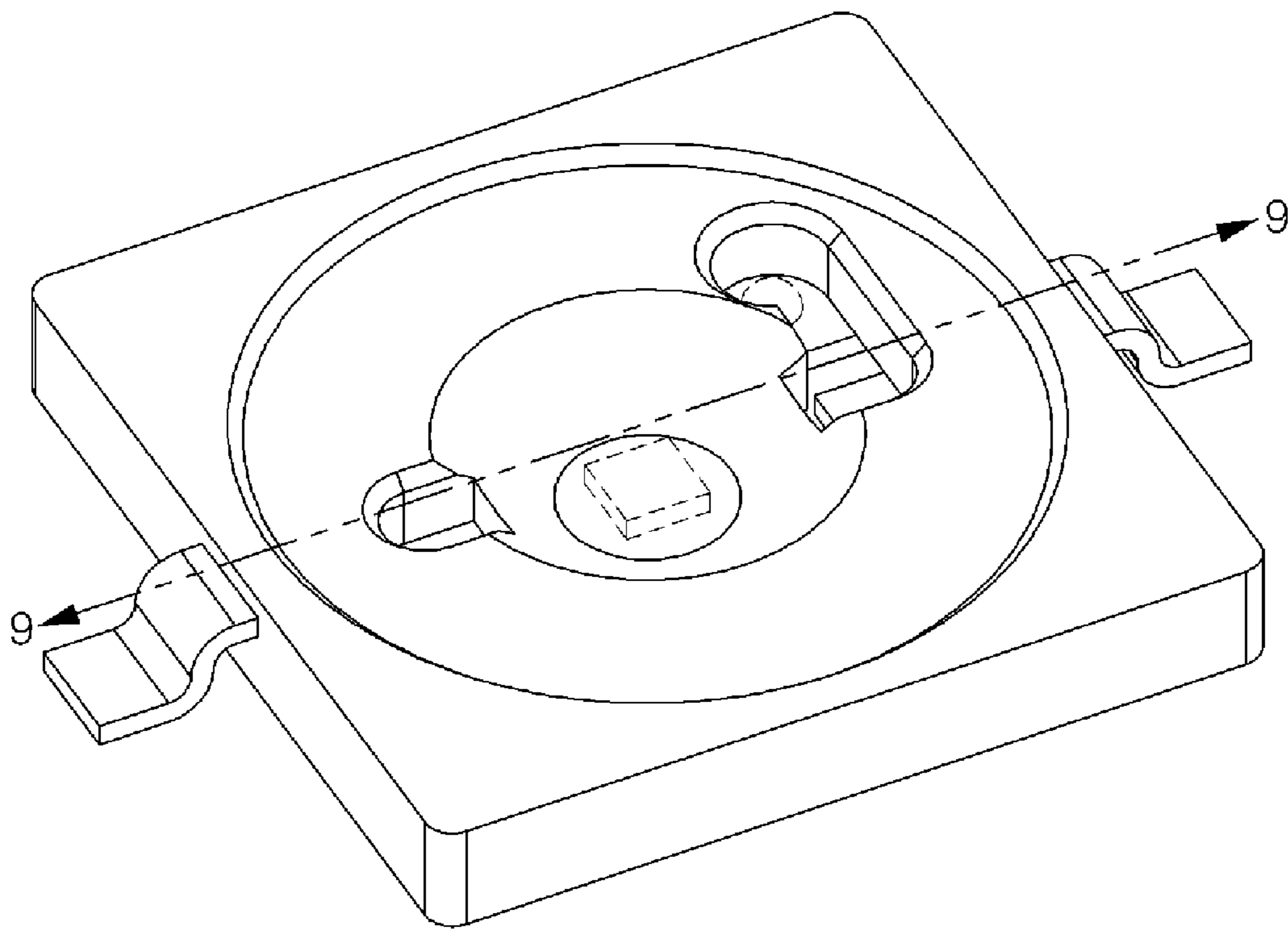


Figure 9

