



US00D568830S

(12) **United States Design Patent**
Park et al.

(10) **Patent No.:** **US D568,830 S**
(45) **Date of Patent:** **** May 13, 2008**

- (54) **LIGHT EMITTING DIODE (LED)**
- (75) Inventors: **Kwang Il Park**, Seoul (KR); **Seung Ryeol Ryu**, Geonggi-do (KR)
- (73) Assignee: **Seoul Semiconductor Co. Ltd.**, Seoul (KR)
- (**) Term: **14 Years**
- (21) Appl. No.: **29/263,737**
- (22) Filed: **Jul. 28, 2006**

D477,580 S * 7/2003 Kamada D13/182
 7,161,189 B2 * 1/2007 Wu 257/98
 7,217,012 B2 * 5/2007 Southard et al. 362/391
 2001/0007526 A1 * 7/2001 Ohkohdo et al. 362/249

FOREIGN PATENT DOCUMENTS

KR 30-2001-0025782 9/2001
 TW 00534723 5/2003

* cited by examiner

Primary Examiner—Selina Sikder

(74) *Attorney, Agent, or Firm*—Townsend and Townsend and Crew LLP

- (30) **Foreign Application Priority Data**
Mar. 29, 2006 (KR) 30-2006-0011609

(57) **CLAIM**

The ornamental design for light emitting diode (LED), as shown and described.

- (51) **LOC (8) Cl.** **13-03**
- (52) **U.S. Cl.** **D13/180**
- (58) **Field of Classification Search** D13/180;
D26/2; 257/79, 80, 81, 82, 88, 89, 95, 98,
257/99, 100, 678, 680, 433, 434; 313/483,
313/498, 500; 361/820; 362/555, 800
See application file for complete search history.

DESCRIPTION

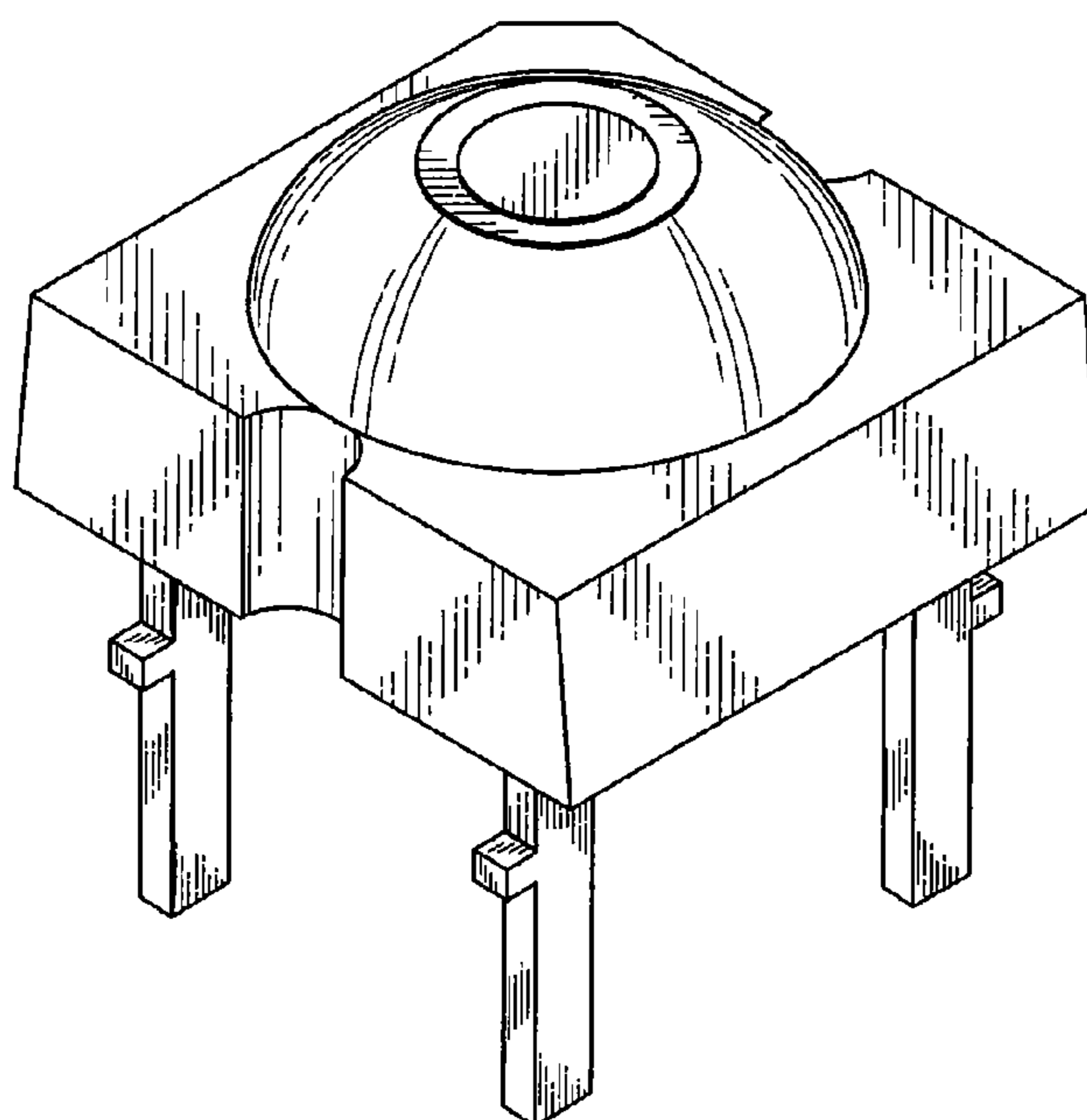
FIG. 1 is a perspective view of a light emitting diode (LED) showing my new design;
 FIG. 2 is a front elevational view thereof;
 FIG. 3 is a rear elevational view thereof;
 FIG. 4 is a left side elevational view thereof;
 FIG. 5 is a right side elevational view thereof;
 FIG. 6 is a top plan view thereof;
 FIG. 7 is a bottom plan view thereof; and,
 FIG. 8 is a sectional view taken along line 8—8 in FIG. 6.

(56) **References Cited**

U.S. PATENT DOCUMENTS

4,047,075 A * 9/1977 Schoberl 313/500
 D288,805 S * 3/1987 Nishizawa D13/180
 5,984,488 A * 11/1999 Tung 362/108
 D432,095 S * 10/2000 Seeger et al. D13/182
 6,386,733 B1 * 5/2002 Ohkohdo et al. 362/249
 6,411,022 B1 * 6/2002 Machida 313/318.1

1 Claim, 4 Drawing Sheets



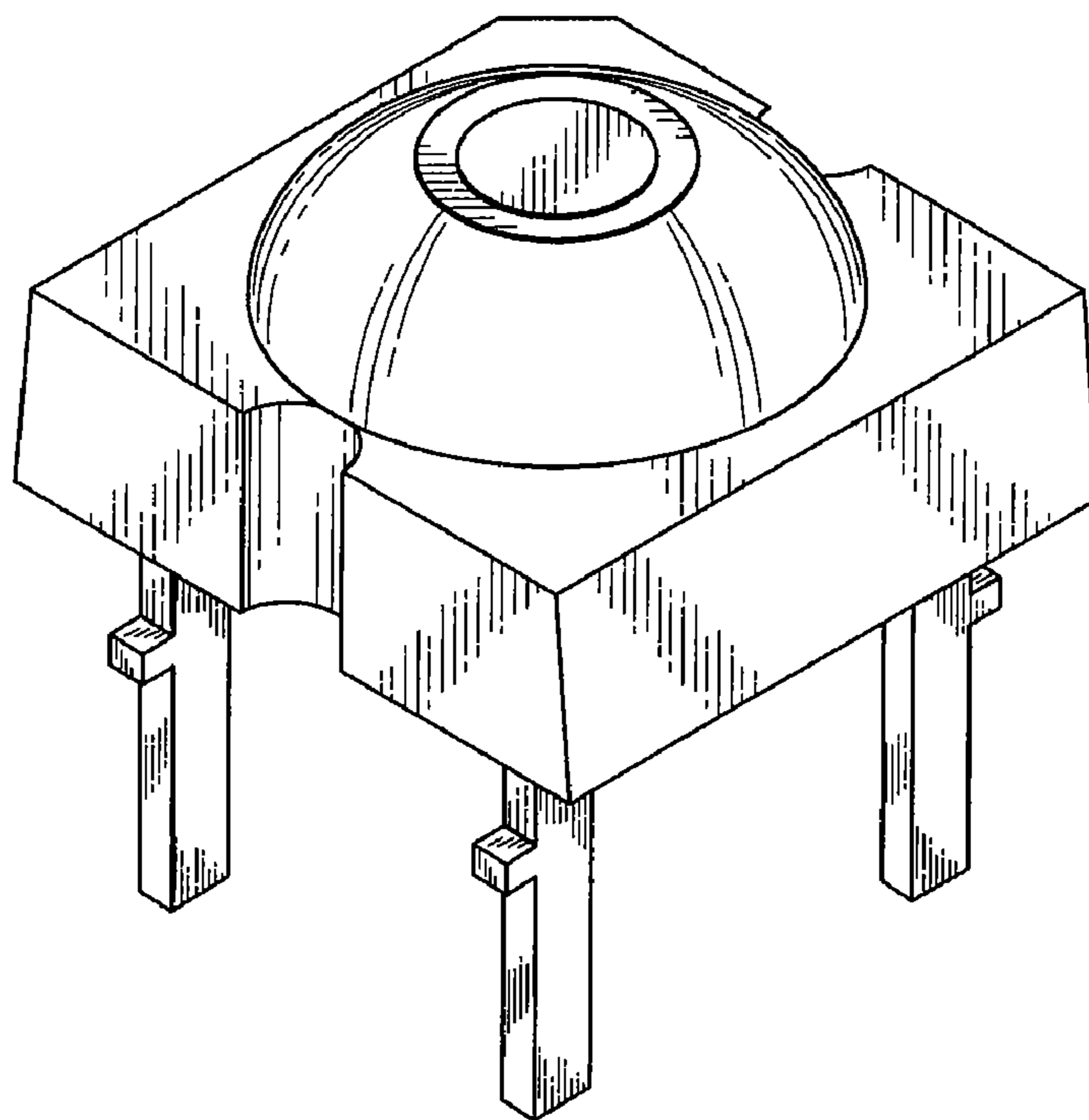


FIG. 1

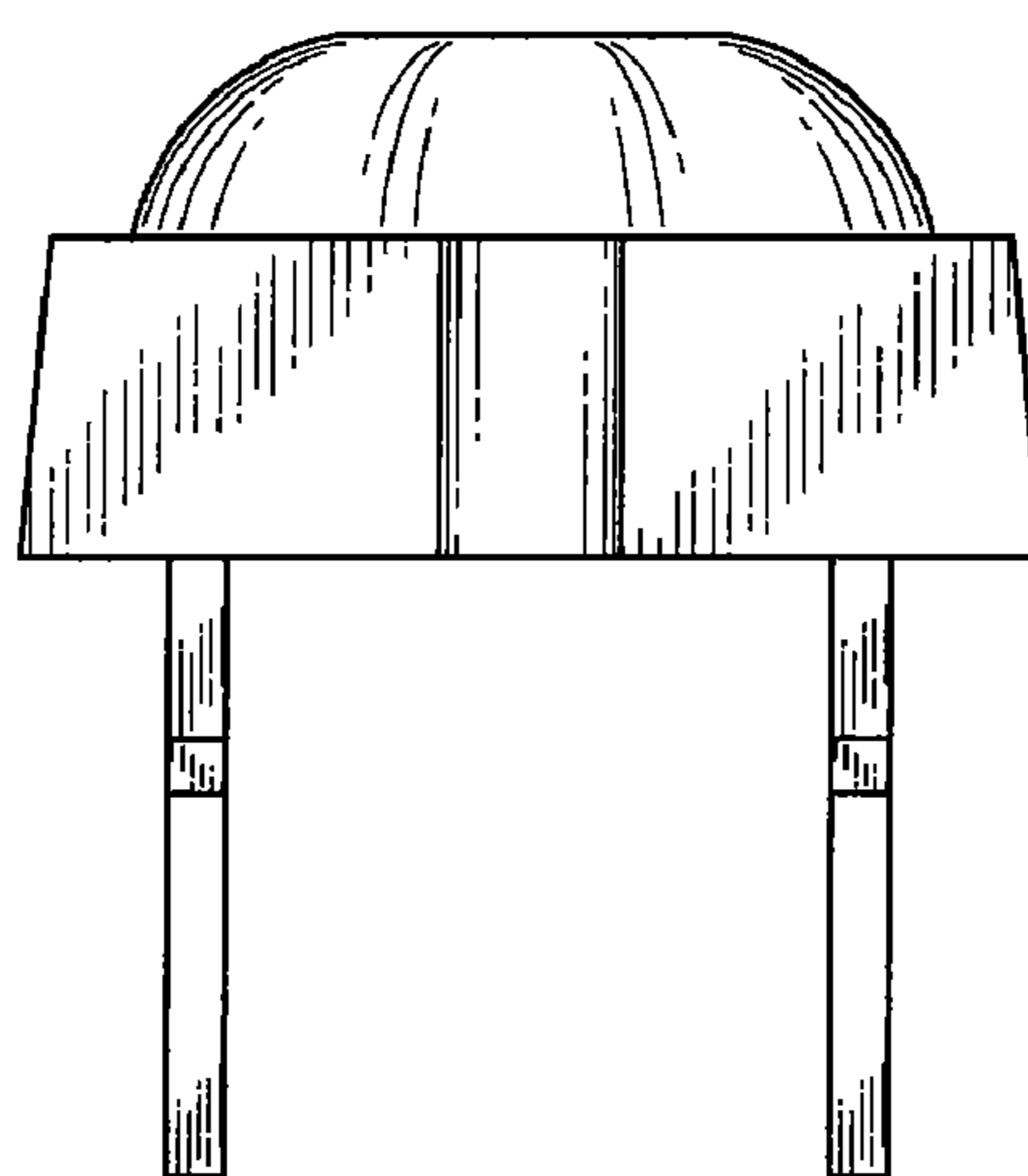


FIG. 2

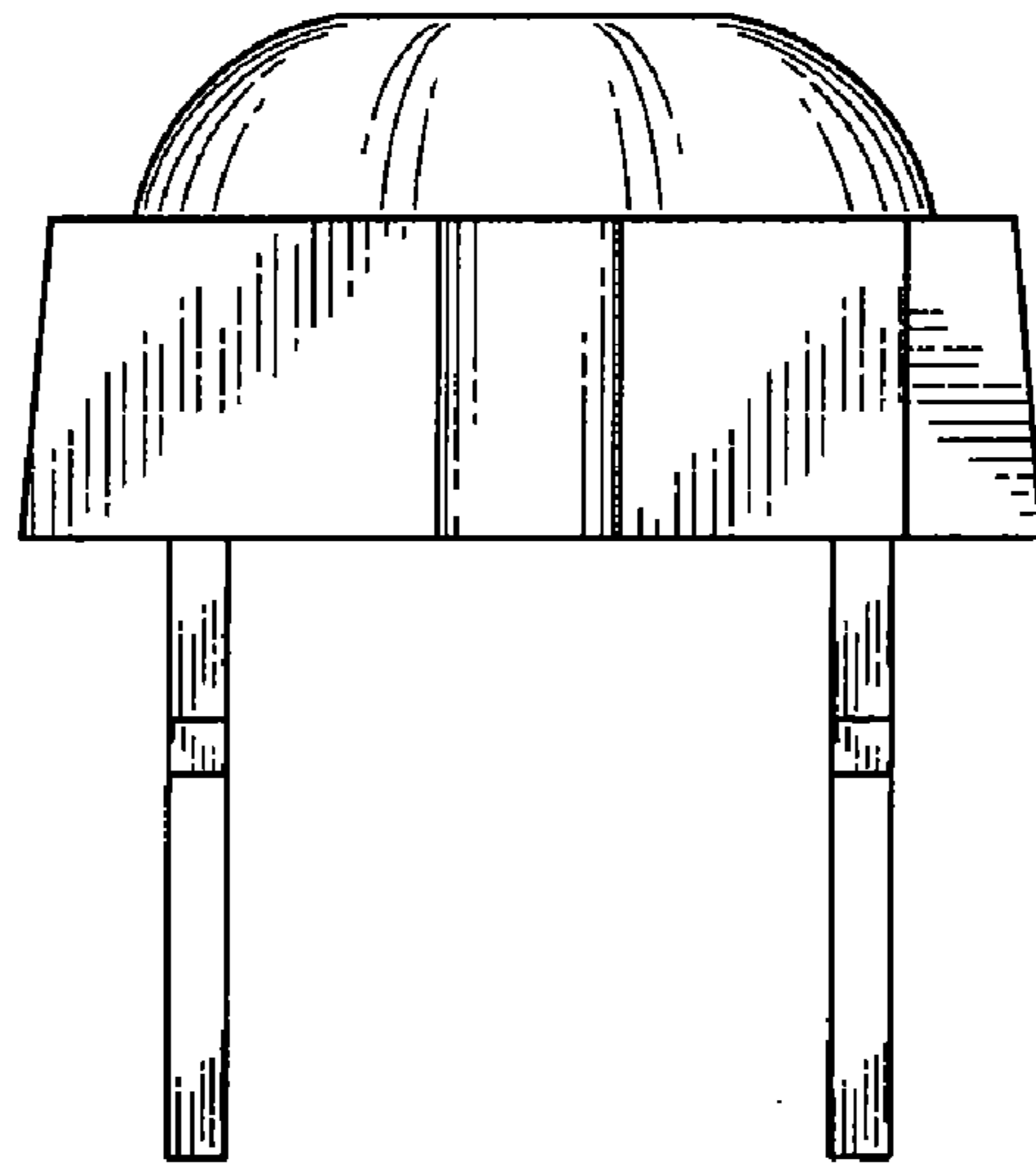


FIG. 3

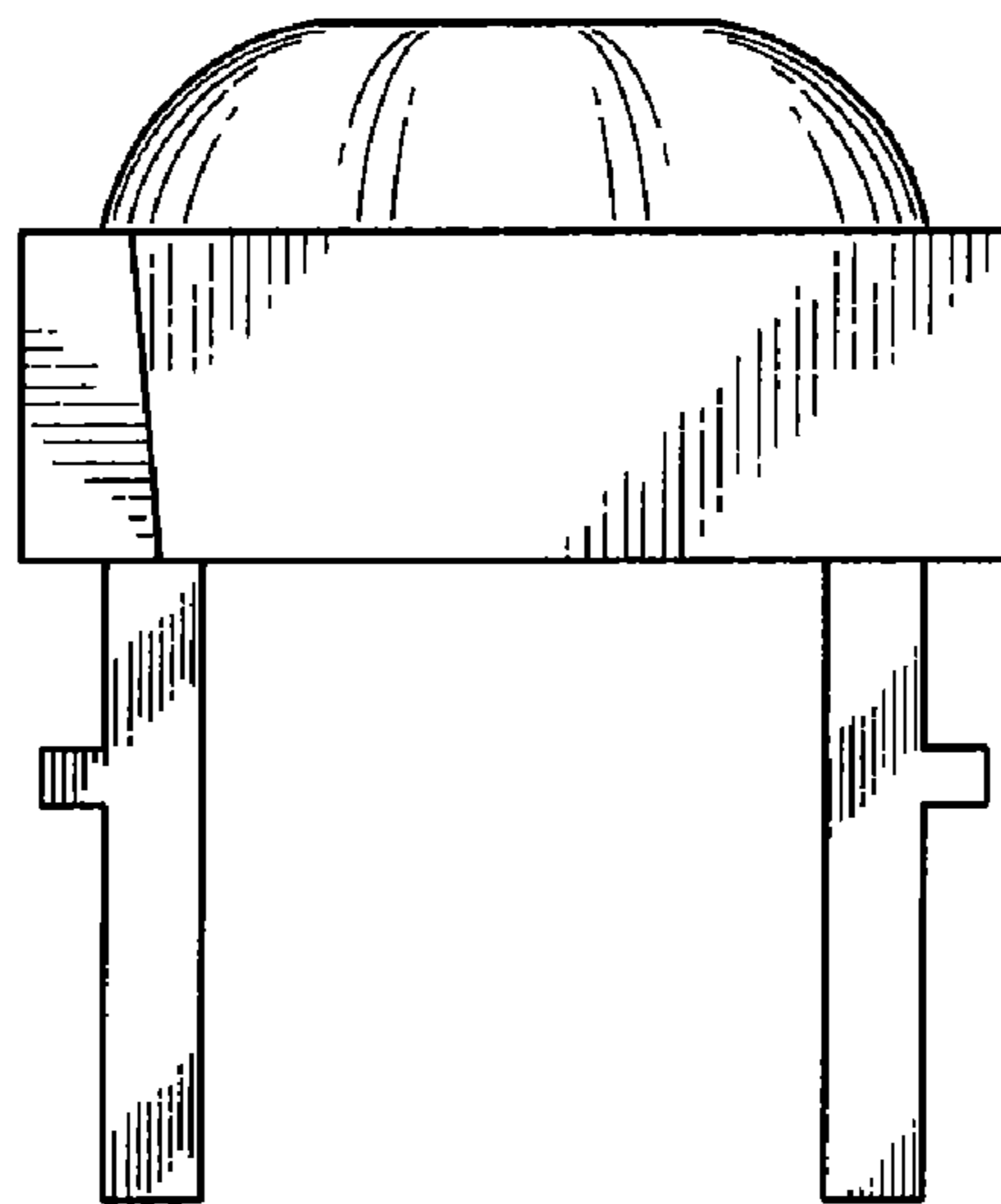


FIG. 4

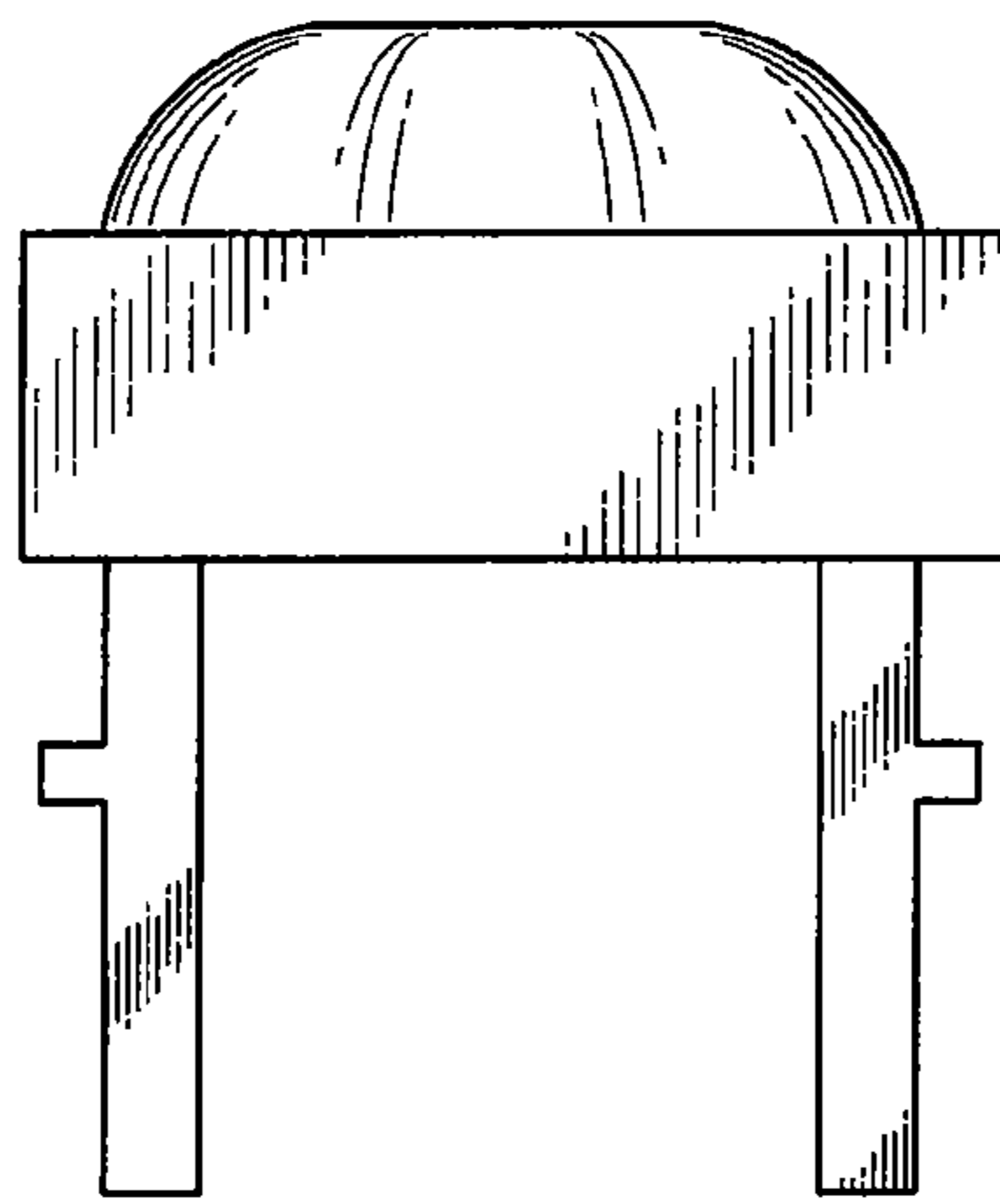


FIG. 5

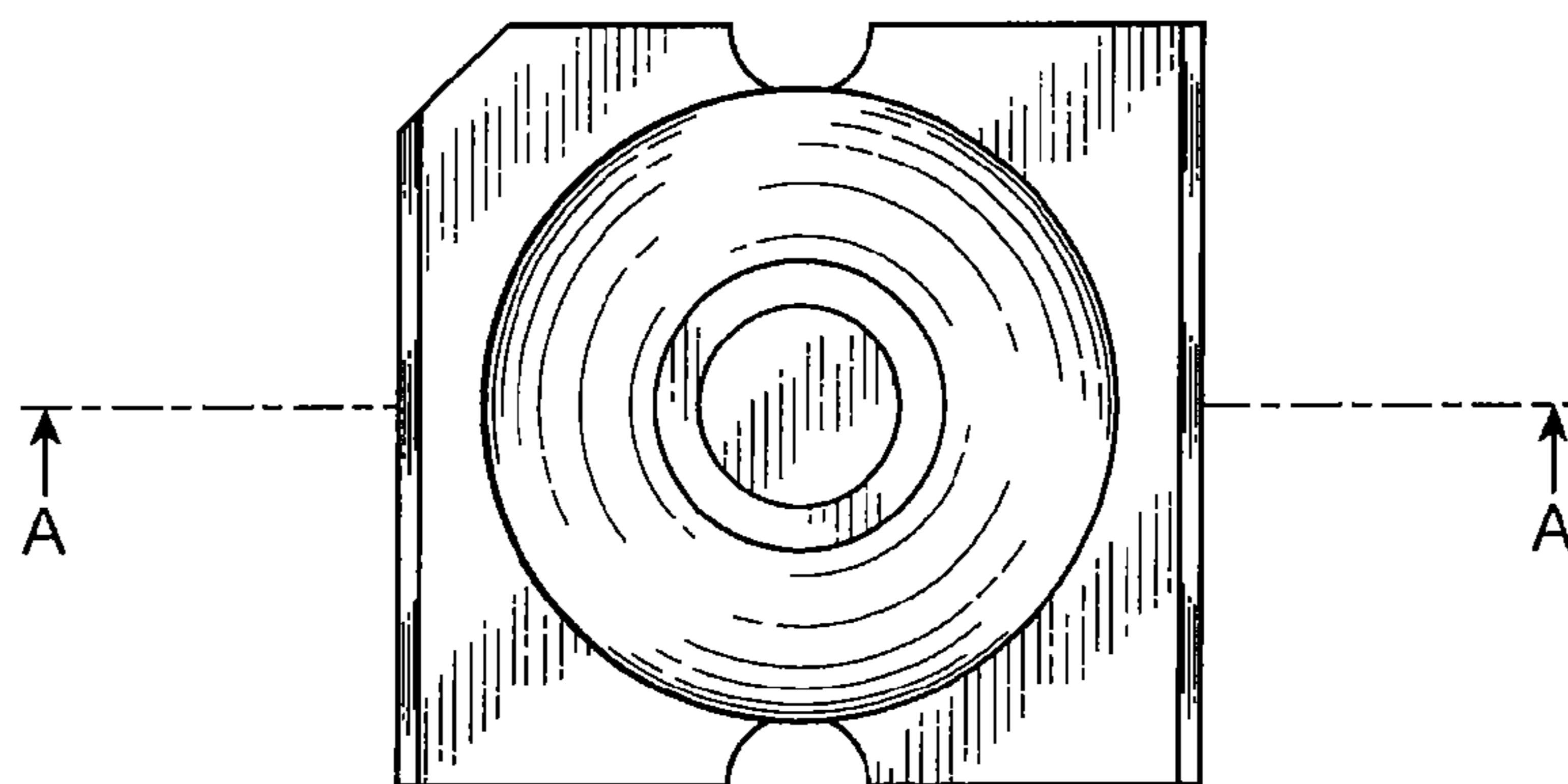


FIG. 6

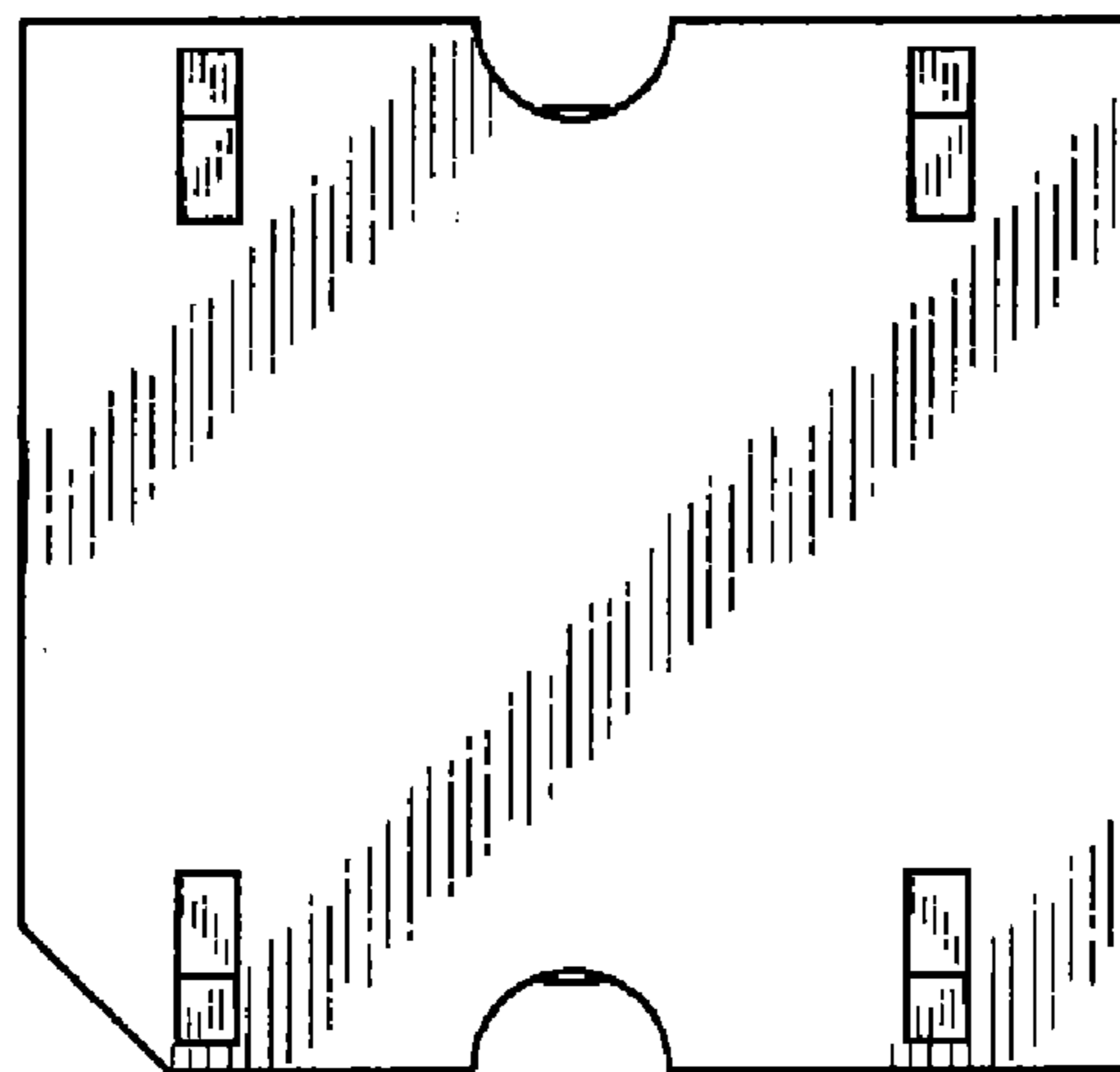


FIG. 7

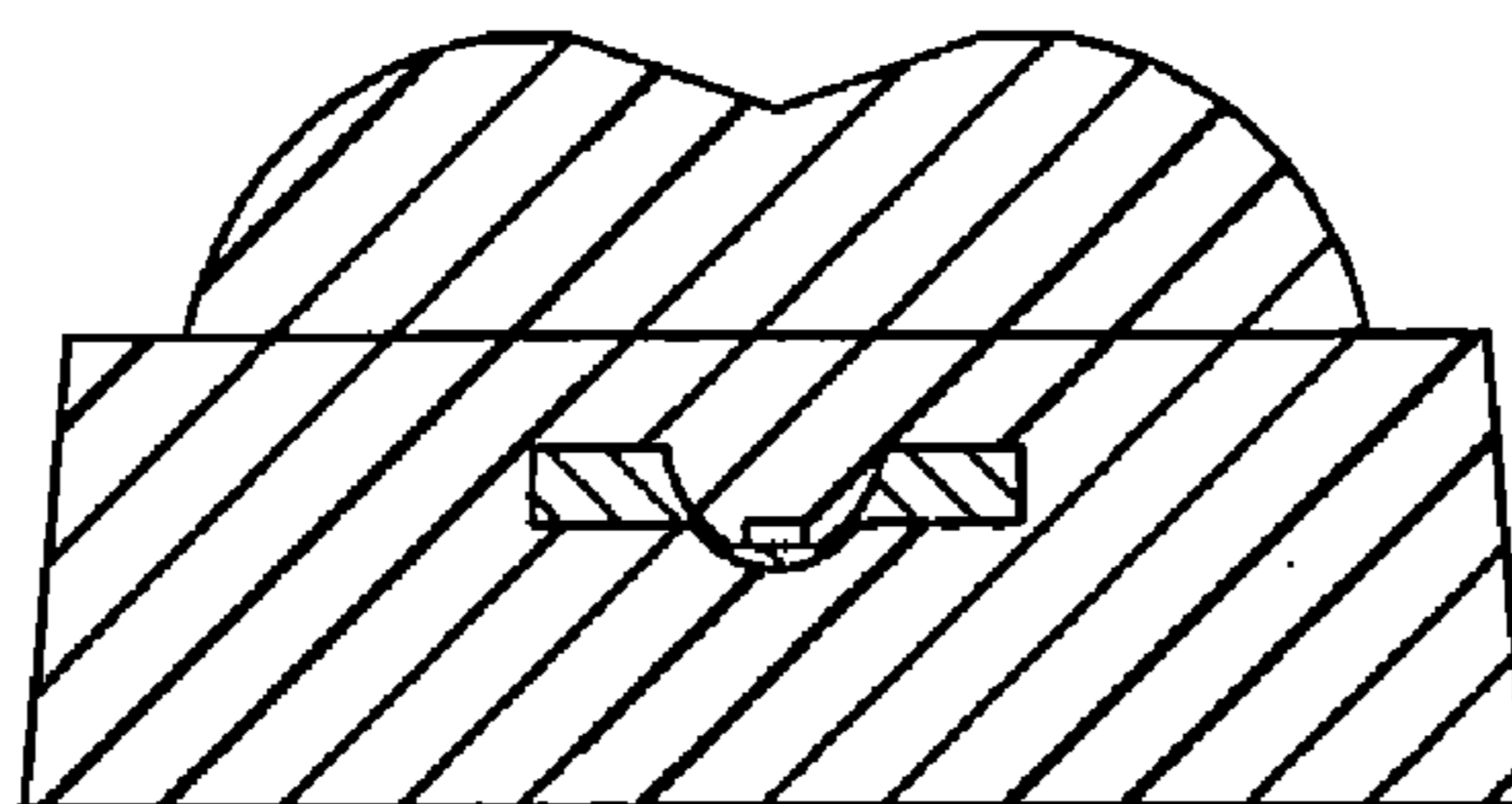


FIG. 8